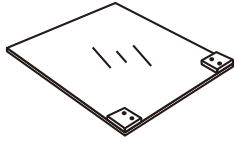
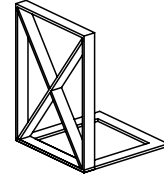


ASSEMBLY INSTRUCTION

1.-1PC



2.-2PCS



A.-4PCS



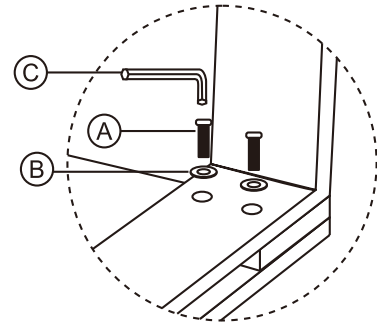
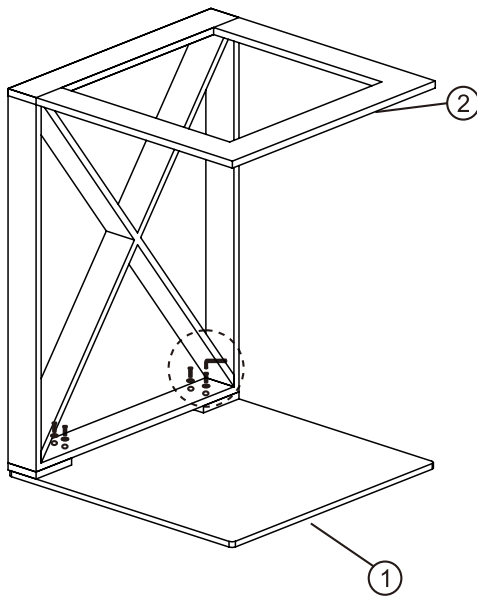
B.-4PCS



C.-1PC



1



2

