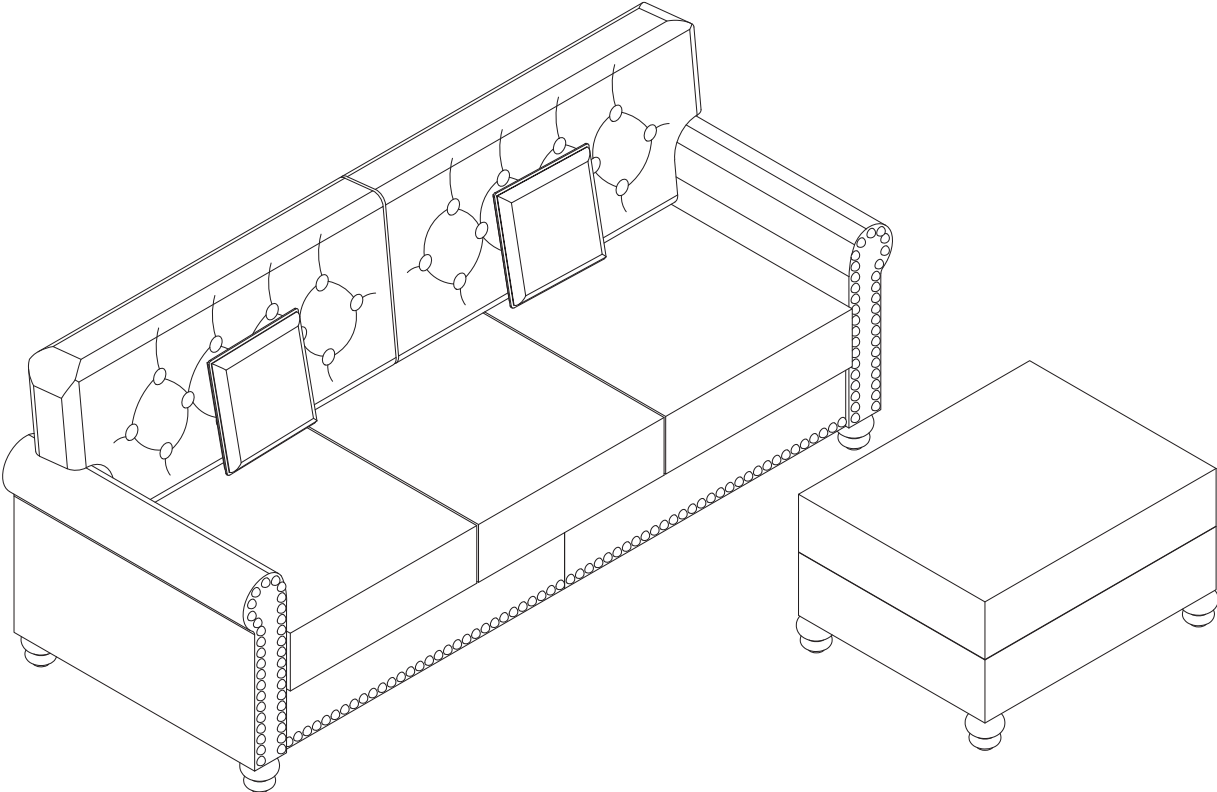


# INSTALLATION INSTRUCTION



## ASSEMBLY INSTRUCTIONS

Thank you for purchasing this quality product, Be sure to check all packing material carefully for small part that may have come loose inside the carton during shipment.



### **DO NOT RETURN TO THE STORE!**

If parts are missing or damaged, we will gladly ship your replacements parts free of charge.

### **CAUTION:**

Do not fully tighten bolts/nuts until product fully assembled. Keep all hardware out of reach of children.

## NOTICE

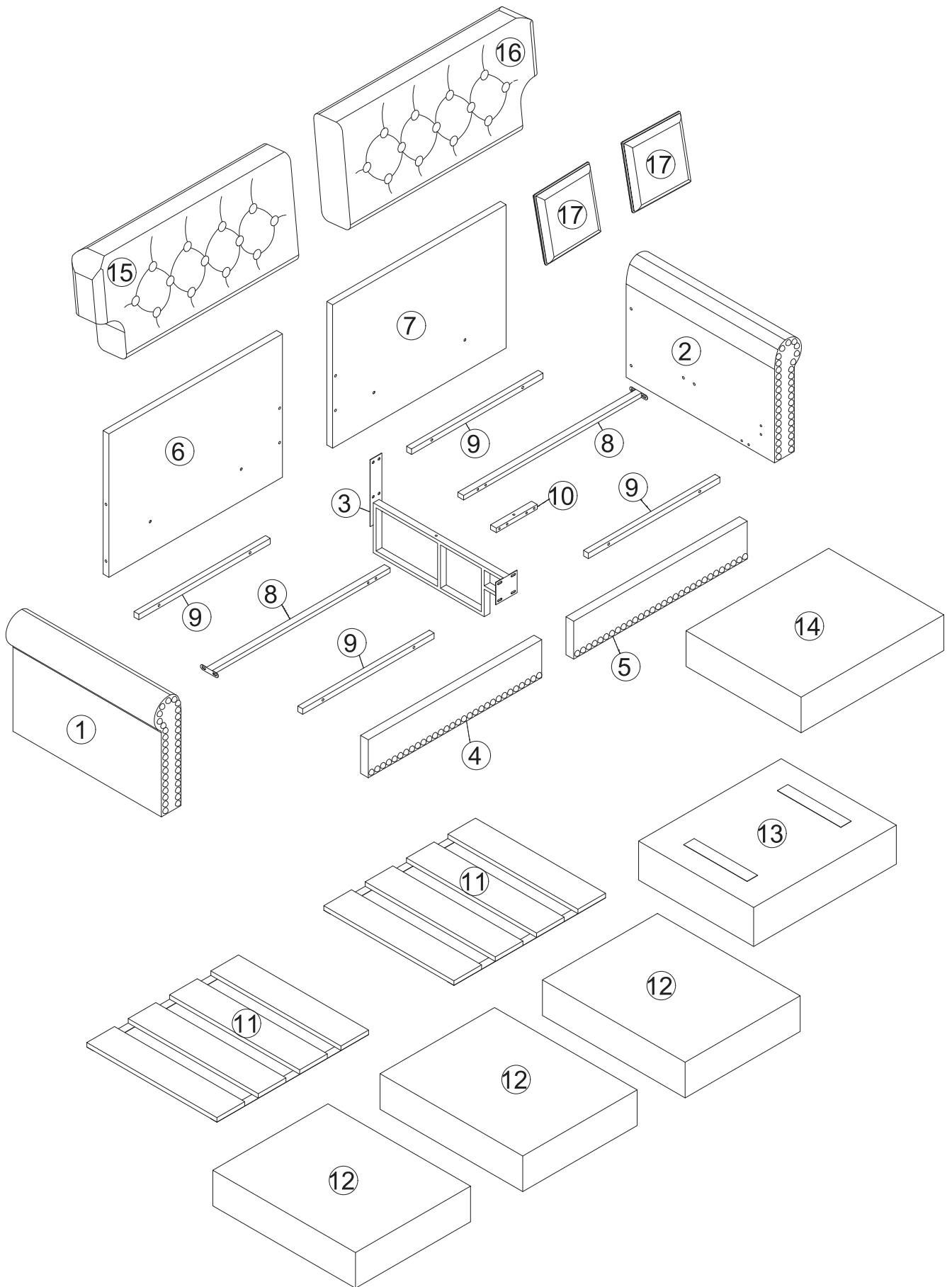
1. Always use proper tools.
2. Follow the assembly steps in order. Do not skip any steps.
3. Periodically check to ensure that all connectors (bolts, screws, etc.) are tight.
4. Keep the instructions for future reference.
5. Check to ensure all "PARTS" and "HARDWARE" quantities, as noted as enclosed prior to commencement of assembly.
6. Place all furniture parts on a clean and flat soft surface to prevent any scratchers possible.
7. Where assembly instructions state that the assembly requires two or more people, do not attempt by yourself as there is a risk of injury.
8. If you need any assistance with your new item or if you are missing any parts. Please email us your inquiries. We will be happy to assist and walk you through your assembly process.
9. Since the dimensions of our products are manually measured, there may be an error of  $\pm 0.79$  inch between the real product and the measurement data. The measurement data is for reference only.

All soft components (cushions, backrests, etc.) are **compressed for packaging**. After opening:

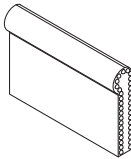
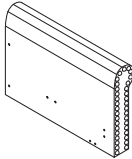
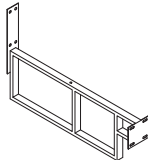
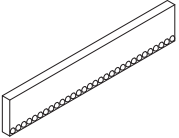
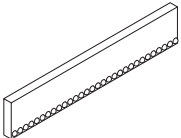
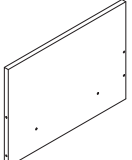
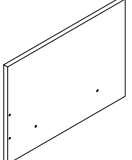
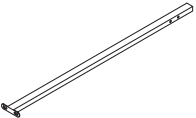
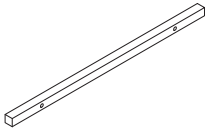
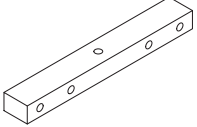
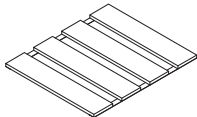
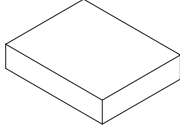
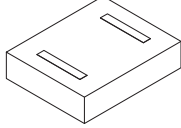
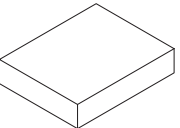
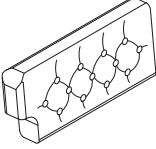
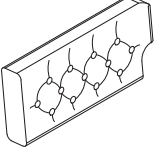
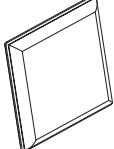
1. Allow **48 hours to 1 week** for full expansion.
2. Gently pat and fluff regularly to accelerate recovery.
3. Keep in a dry, well-ventilated area away from direct heat.

Tip: Expansion time may vary depending on environmental conditions.

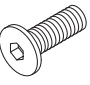
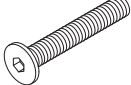
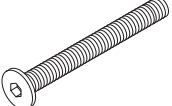
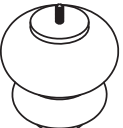


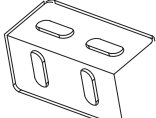


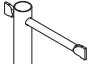
If you have any questions, please contact us.



# PART LIST:

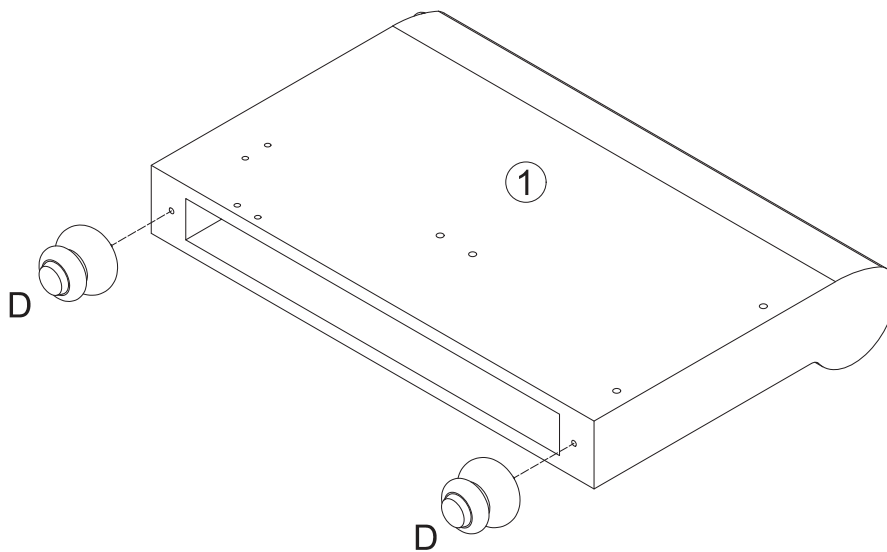
<p>①</p>  <p>1PC</p>	<p>②</p>  <p>1PC</p>	<p>③</p>  <p>1PC</p>	<p>④</p>  <p>1PC</p>	
<p>⑤</p>  <p>1PC</p>	<p>⑥</p>  <p>1PC</p>	<p>⑦</p>  <p>1PC</p>	<p>⑧</p>  <p>2PCS</p>	
<p>⑨</p>  <p>4PCS</p>	<p>⑩</p>  <p>1PC</p>	<p>⑪</p>  <p>2PCS</p>	<p>⑫</p>  <p>3PCS</p>	
<p>⑬</p>  <p>1PC</p>	<p>⑭</p>  <p>1PC</p>	<p>⑮</p>  <p>1PC</p>	<p>⑯</p>  <p>1PC</p>	<p>⑰</p>  <p>2PCS</p>

# HARDWARE LIST:

<p>A</p>  <p>M8×20 28PCS</p>	<p>B</p>  <p>M8×50 13PCS</p>	<p>C</p>  <p>M8×80 4PCS</p>	<p>D</p>  <p>8PCS</p>
<p>E</p>  <p>M8 22PC</p>	<p>F</p>  <p>trapezoidal bracket 2PCS</p>	<p>G</p>  <p>4-hole L-shaped bracket 2PCS</p>	<p>H</p>  <p>M8 5PCS</p>
<p>I</p>  <p>M8 1PC</p>	<p>J</p>  <p>M8 1PC</p>		

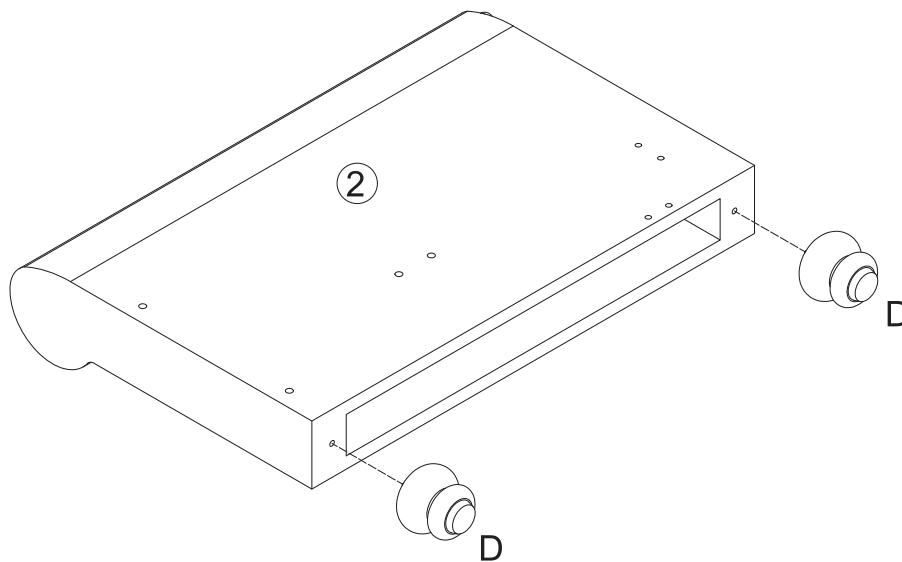
## Step 1

As shown in the figure, install sofa leg D onto sofa armrest Part 1 respectively.



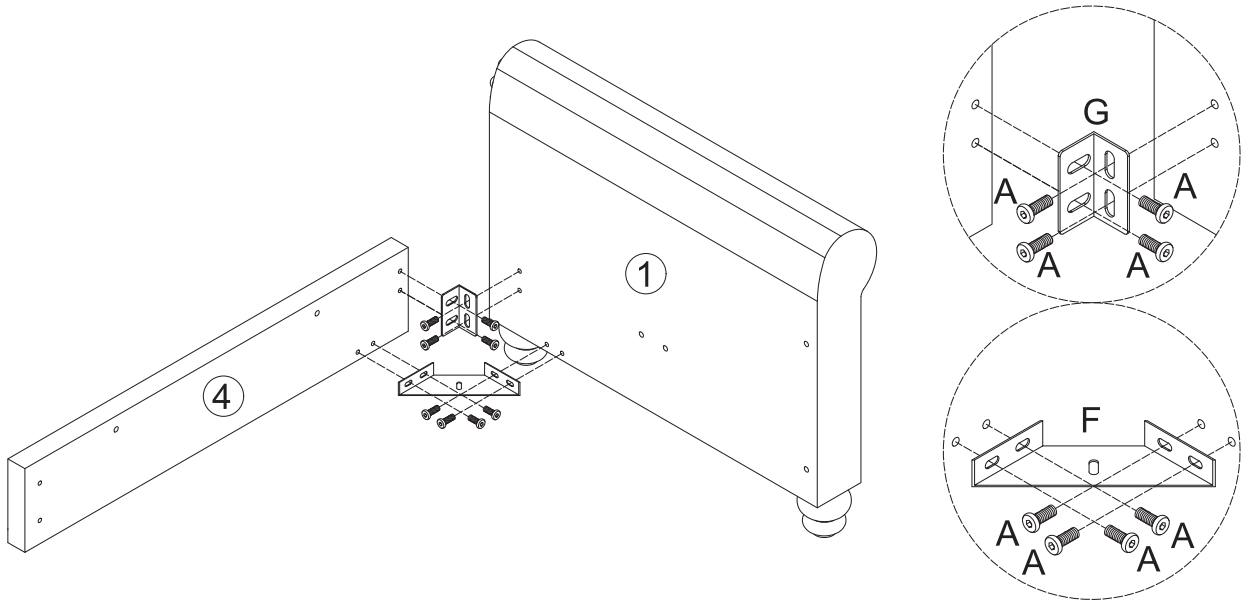
## Step 2

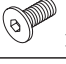
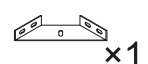
As shown in the figure, install sofa leg D onto sofa armrest Part 2 respectively.



### Step 3

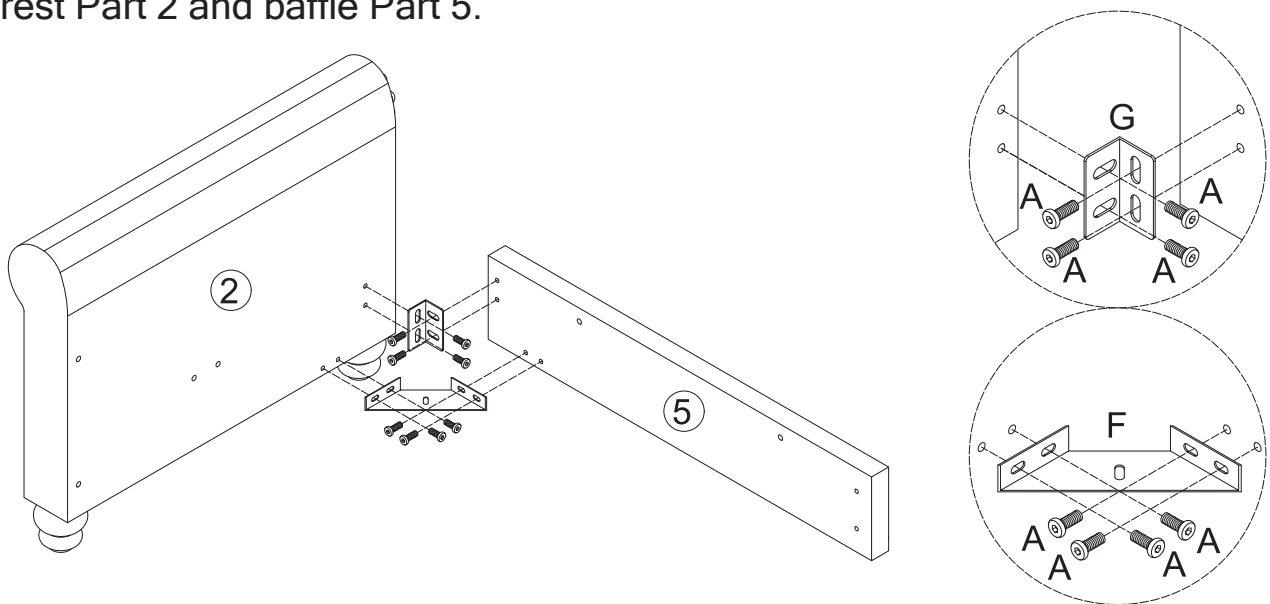
As shown in the figure, use screw A (M8 x 20) to install trapezoidal bracket F and 4-hole L-shaped bracket G in the position shown in the figure, connecting armrest Part 1 and baffle Part 4.

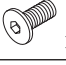
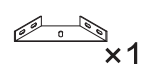



		A M8×20	 ×8
F	 ×1	G	 ×1

### Step 4

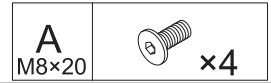
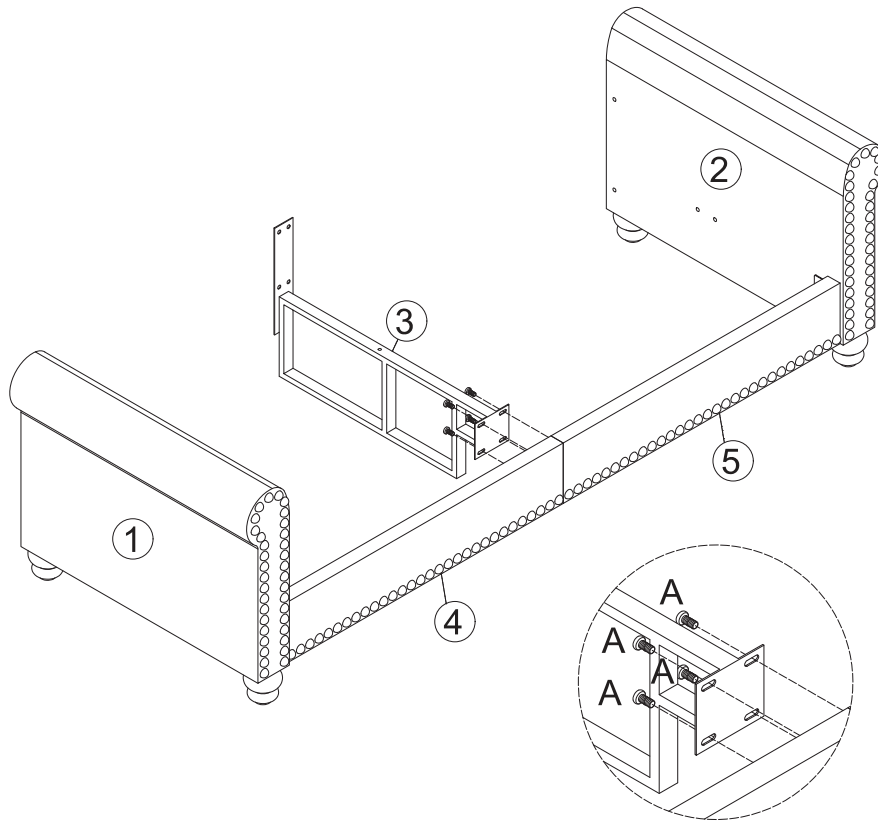
As shown in the figure, use screw A (M8 x 20) to install trapezoidal bracket F and 4-hole L-shaped bracket G in the position shown in the figure, connecting armrest Part 2 and baffle Part 5.



		A M8×20	 ×8
F	 ×1	G	 ×1

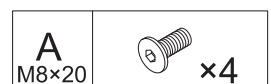
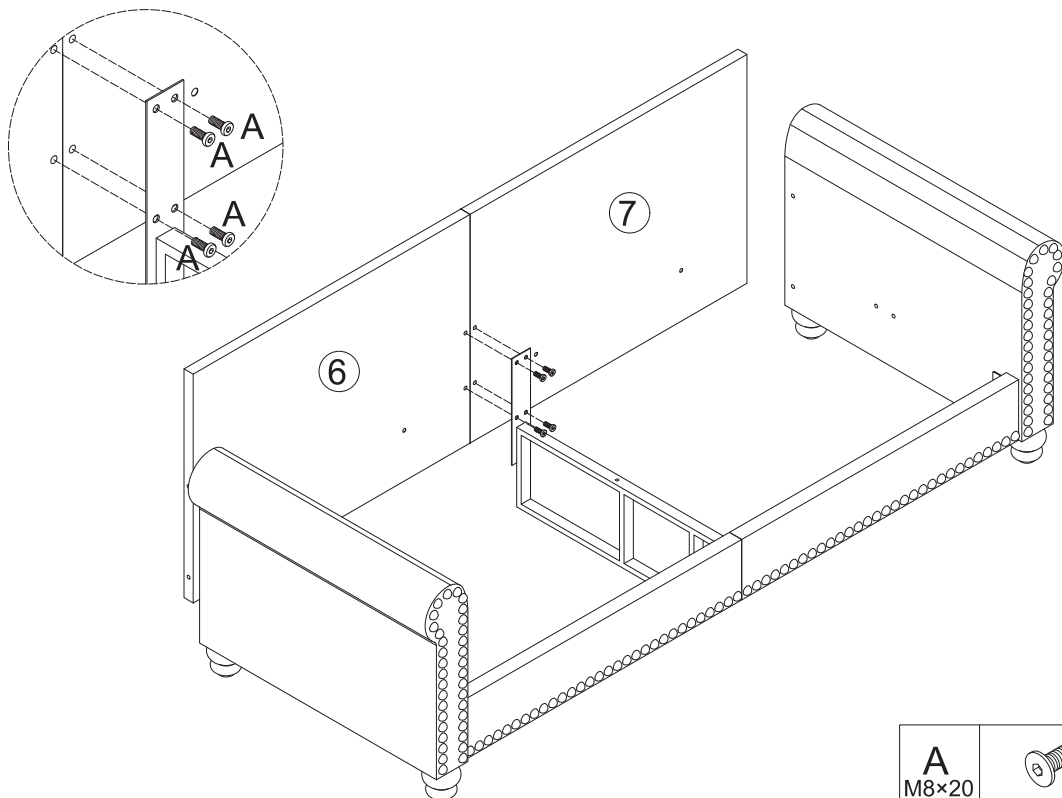
## Step 5

Use screw A (M8 x 20) to install iron frame Part 3 in the position shown in the figure



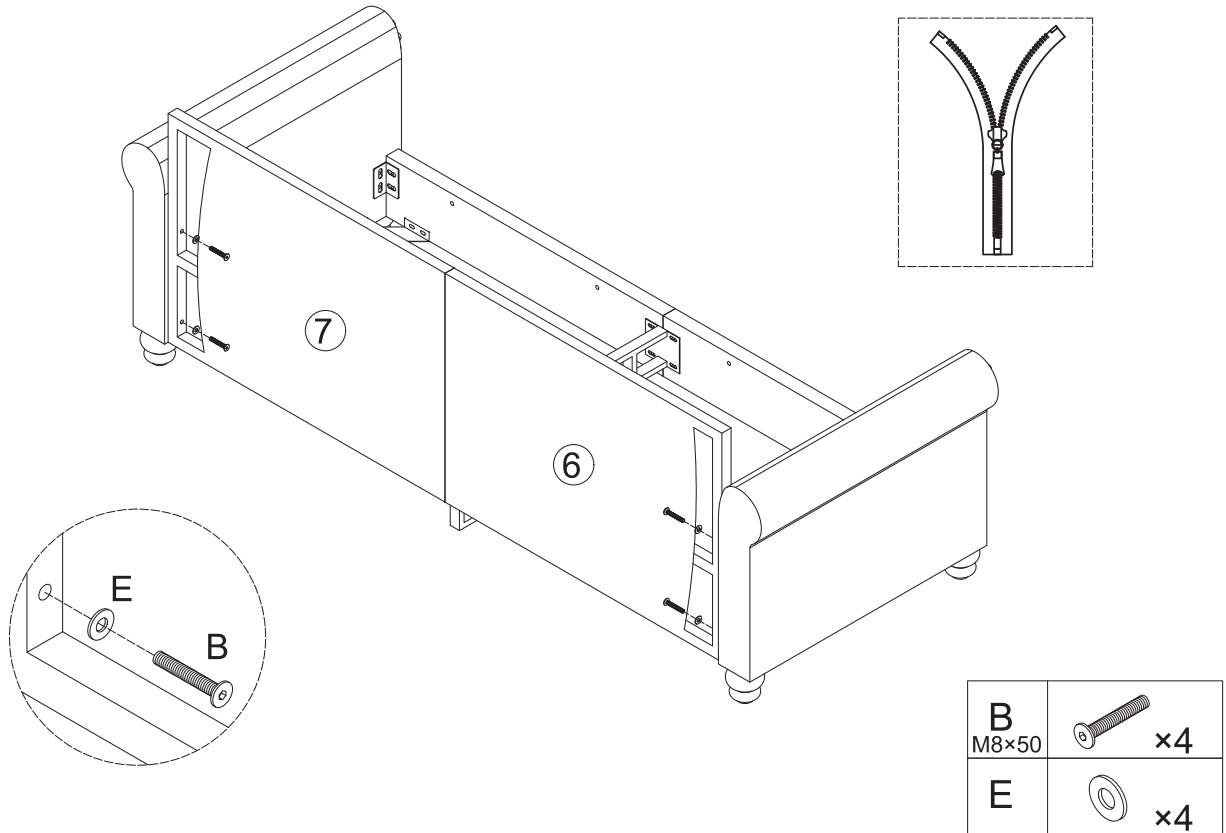
## Step 6

Use screw A (M8 x 20) to connect iron frame Part 3 with sofa backrest Part 6/7.



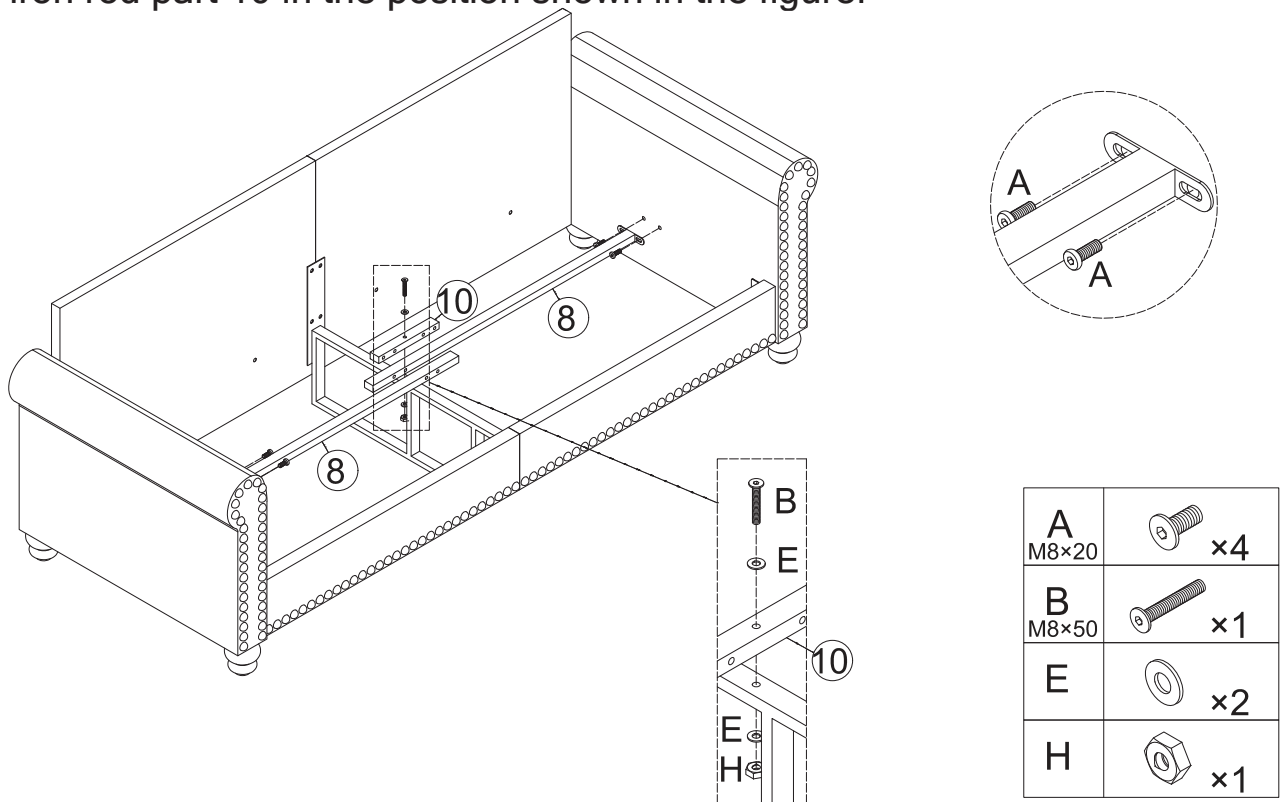
## Step 7

Use screw B (M8 x 50) and flat washer E to connect sofa backrest Part 6/7 to sofa armrests respectively.



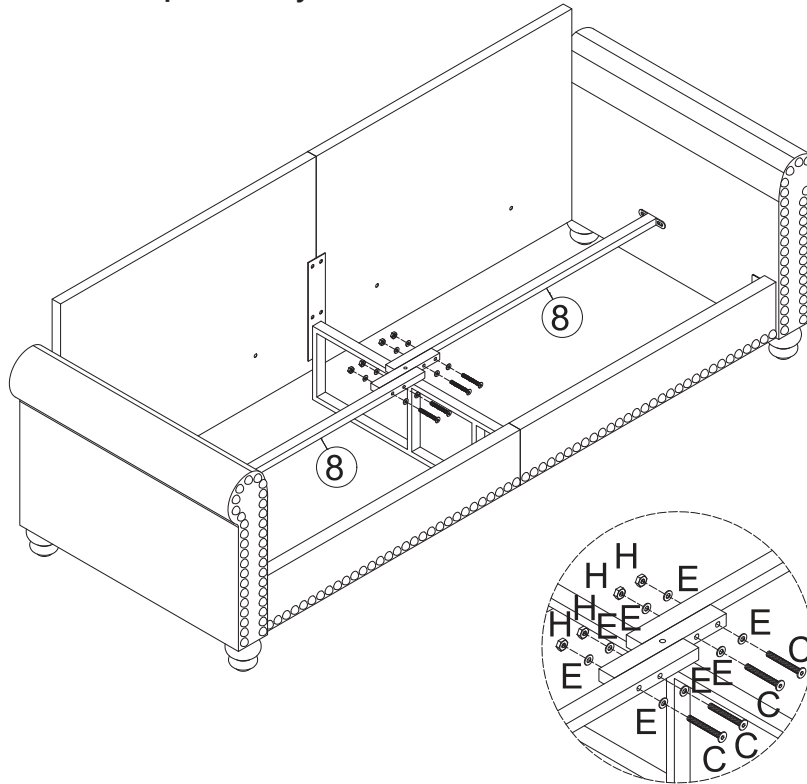
## Step 8




Use screw A (M8 x 20) to install the long iron rod part 8 in the position shown in the figure. Use screw B (M8 x 50), flat washer E, and nut H to install short iron rod part 10 in the position shown in the figure.



## Step 9

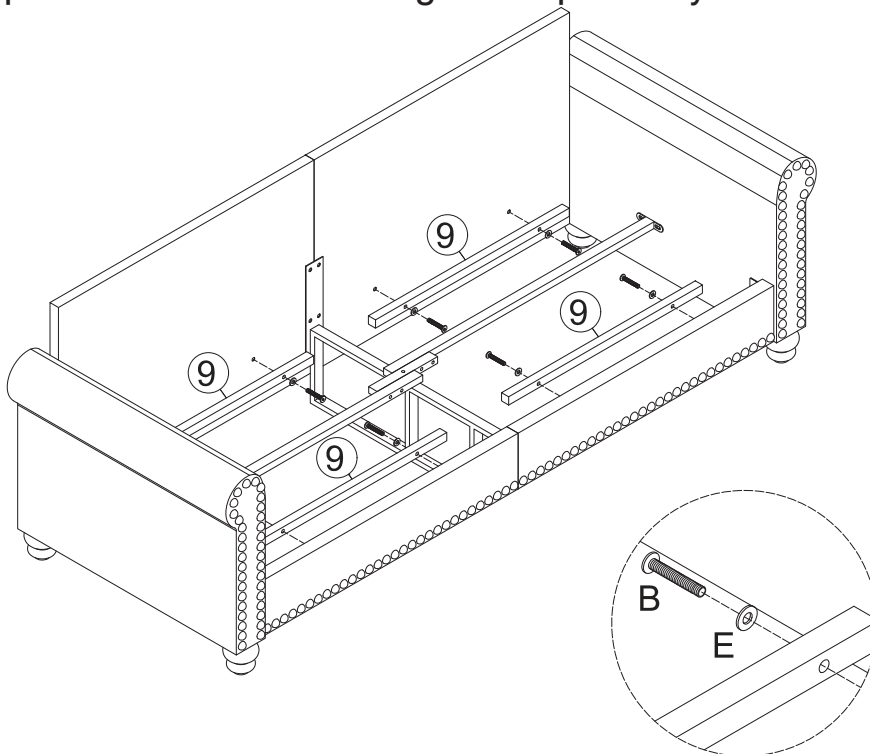
Use screw C (M8 x 80), flat washer E, and nut H to connect long iron part 8 and short iron part 10 respectively.

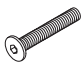



C M8×80		×4
E		×8
H		×4

## Step 10

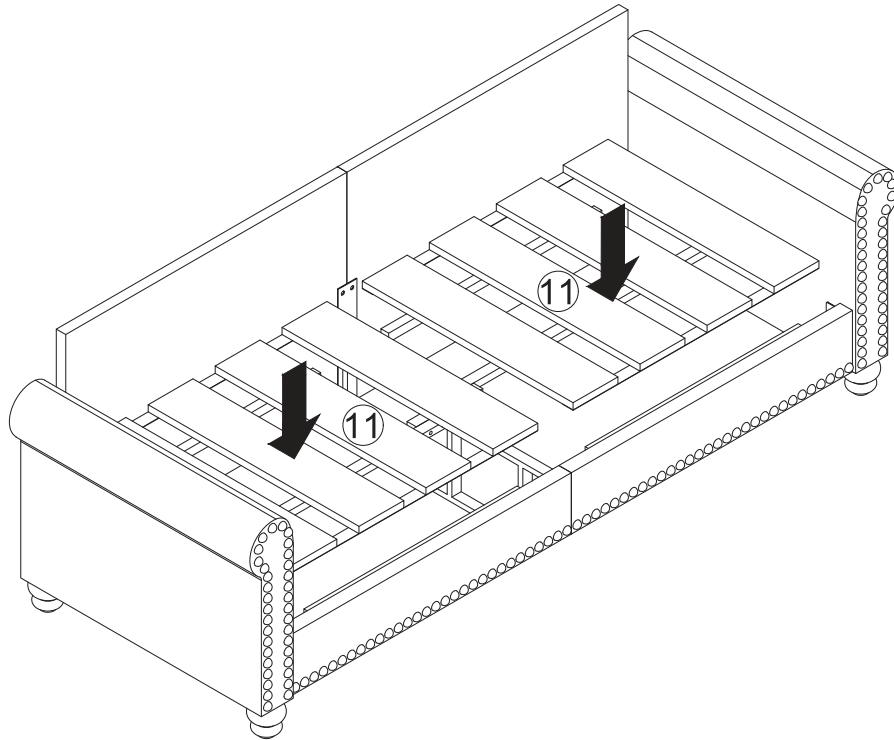
Use screw B (M8 x 50) and flat washer E to install wood block Part 9 in the positions shown in the figure respectively.



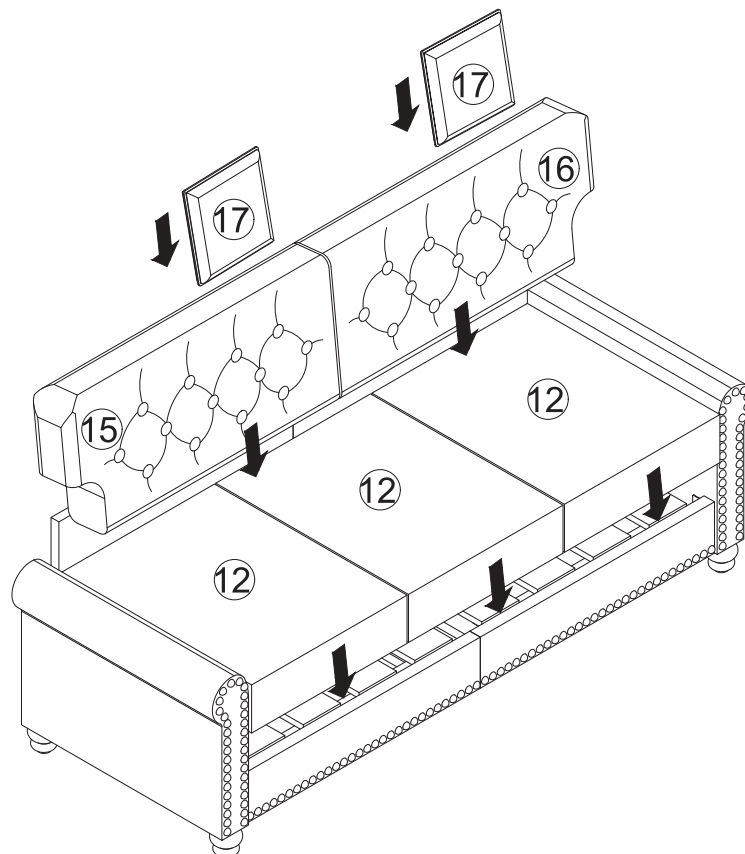
B M8×50		×8
E		×8

## Step 11

Place Part 11 in the positions shown in the figure respectively.

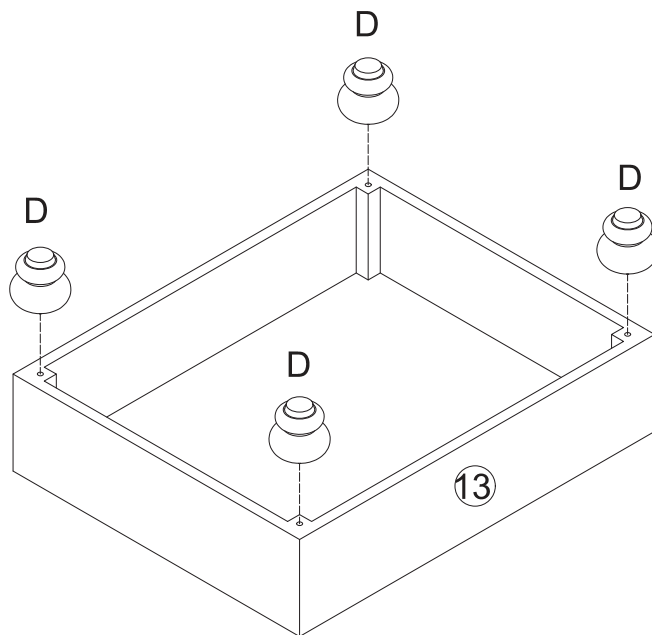


## Step 12



## Step 13

As shown in the figure, install the sofa legs D onto the ottoman frame Part 13 respectively.



## Step 14

