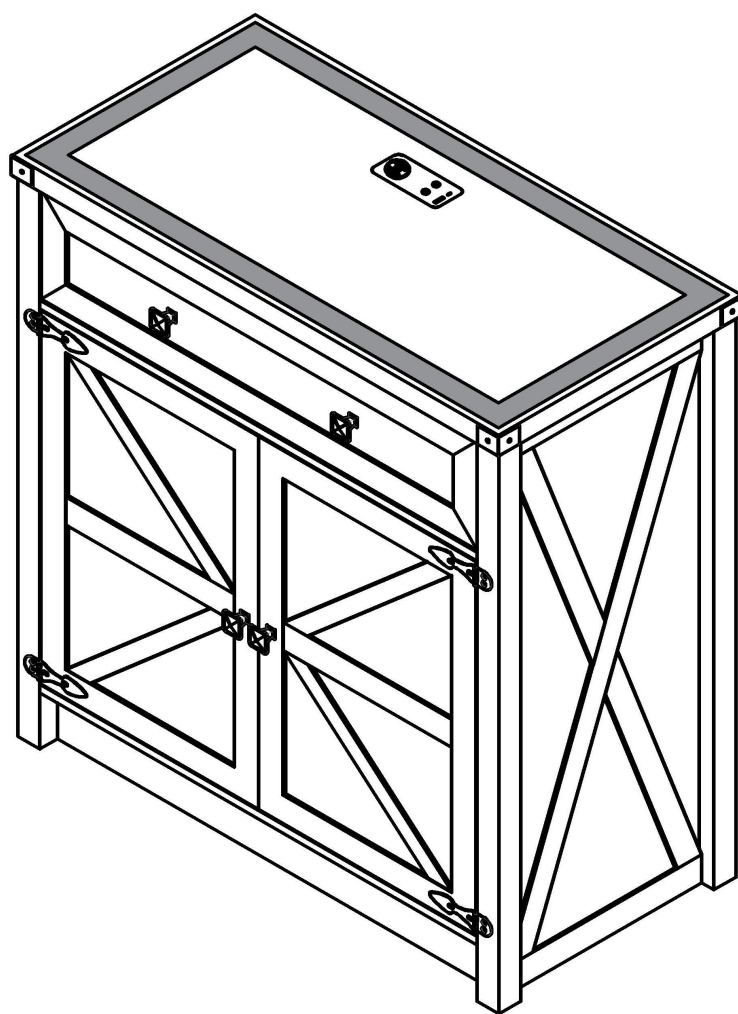
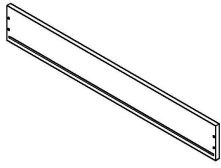
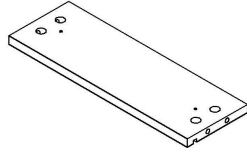


Product Installation Instructions

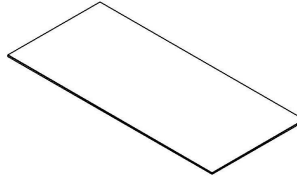




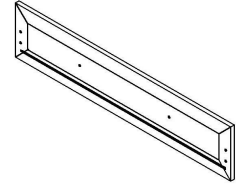
Ax1



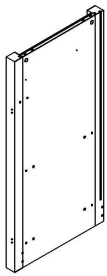
Bx2



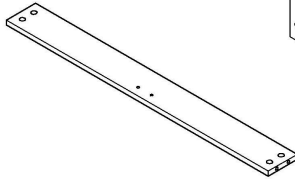
Cx1



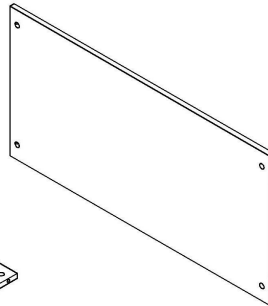
Dx1



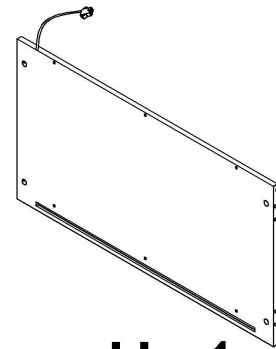
Ex1



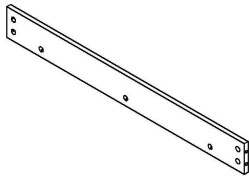
Fx1



Gx1



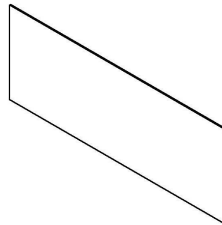
Hx1



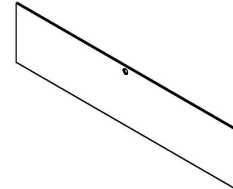
Ix2



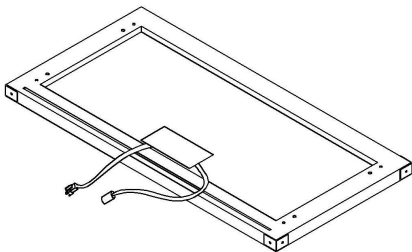
Jx1



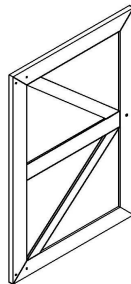
Kx2



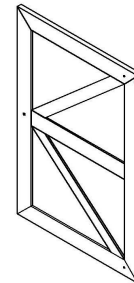
Lx1



Mx1



Nx1

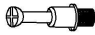



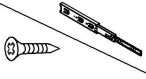

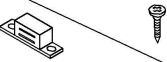



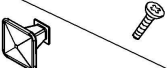
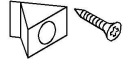

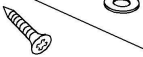
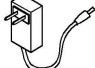


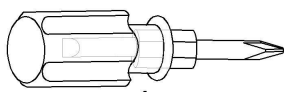
Ox1



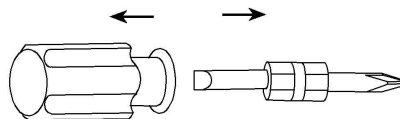
1

Accessories list

①		Two In One Screw (6x28mm)	38pcs +2pcs
②		Two In One Nut (10x12mm)	38pcs +2pcs
③		Wood Chipping (6x30mm)	12pcs +2pcs
④		Handle & Screw (4x10mm)	2pcs +1pcs 2pcs
⑤		Screw & Guide (3x12mm)	2pcs 10pcs +2pcs
⑥		Non-slip pads	4pcs
⑦		Door Magnet & Screw (3.5x12mm)	2pcs +1pcs 1pcs
⑧		Iron Sheet & Screw (3x10mm)	4pcs +1pcs 2pcs
⑨		Hinge & Screw (3.5x12mm)	16pcs +1pcs 4pcs
⑩		Wire Clamp	1pcs +1pcs
⑪		Handle & Screw (4x18mm)	2pcs +1pcs 2pcs
⑫		Fixing Clip & Screw (3x16mm)	10pcs +1pcs
⑬		anti-tipping tape	2pcs
		Screw & gasket (3.5x12mm)	2pcs 2pcs
		AC/DC Adapter (12V=3.0A)	1pcs



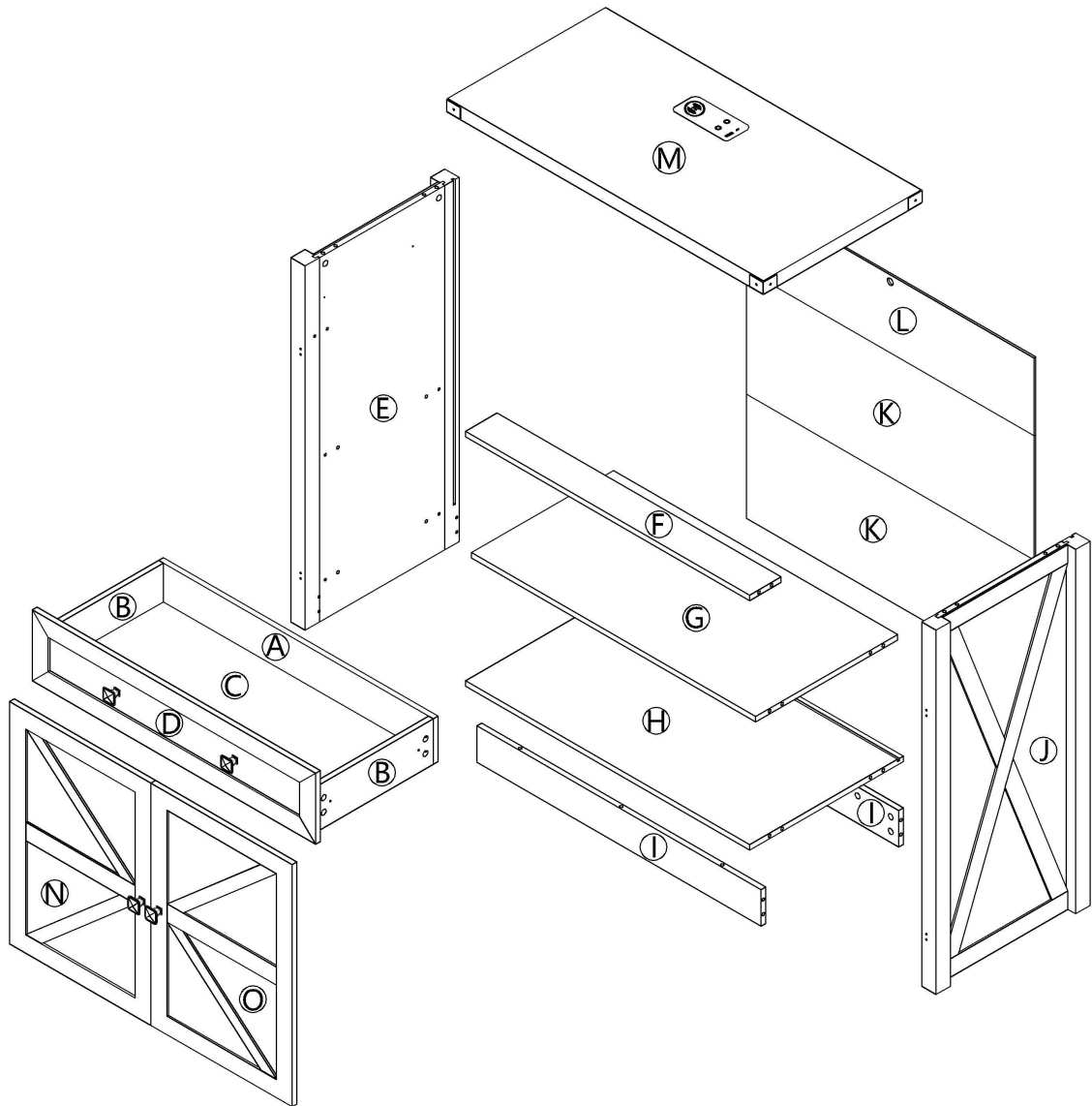
1pcs

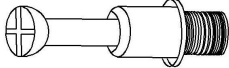



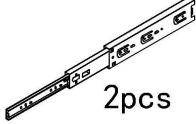
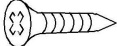


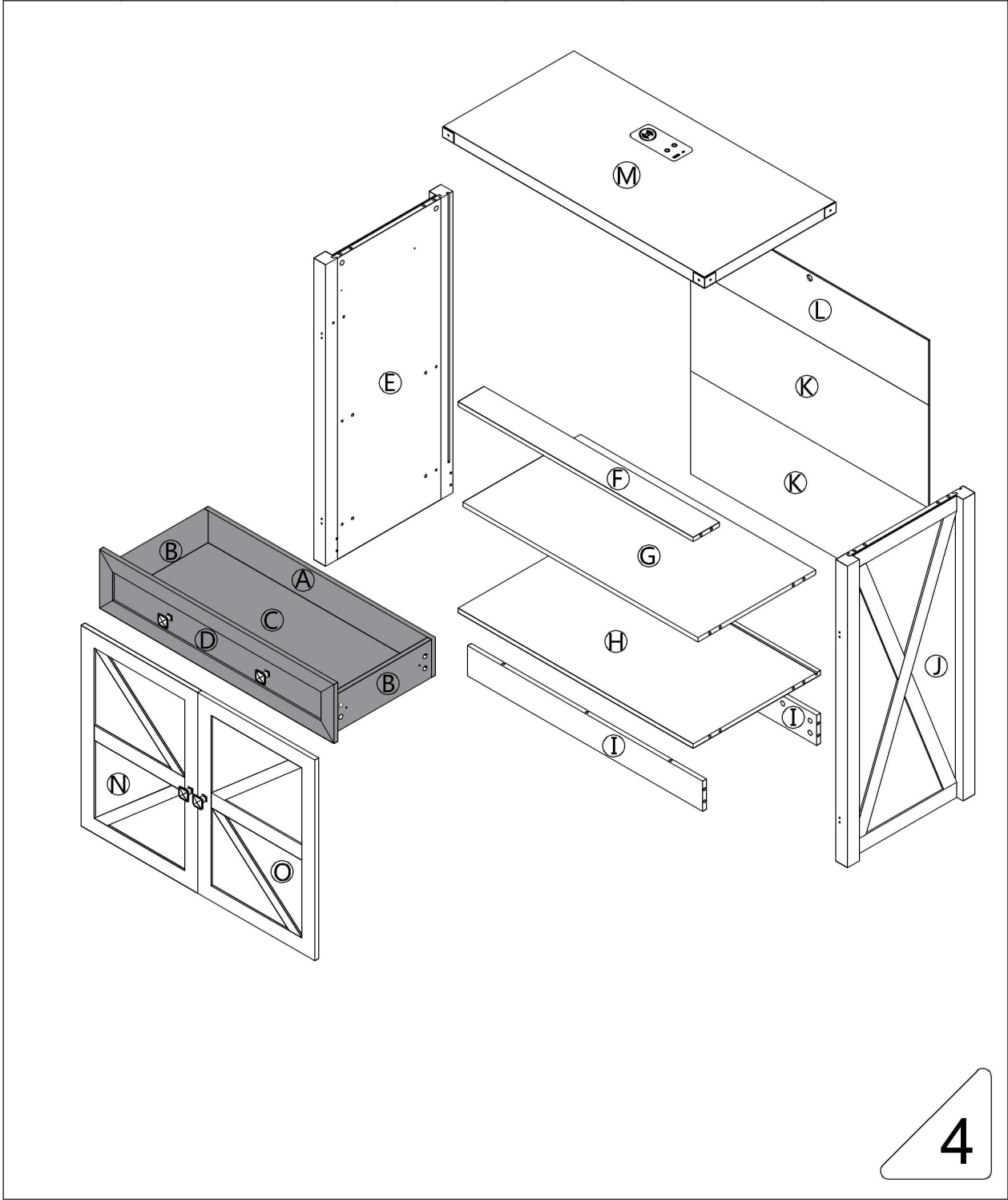
Double-head screwdriver, use as required

2

Product structure decomposition

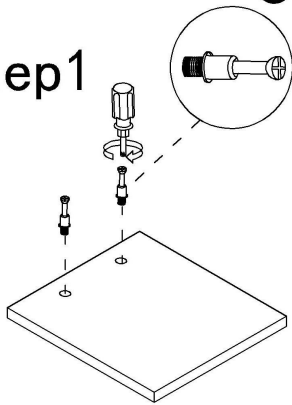


1		8pcs	4		
2		8pcs	5		

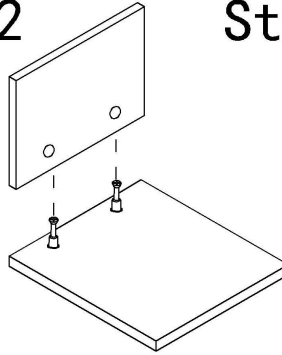


Use parts ① and ②

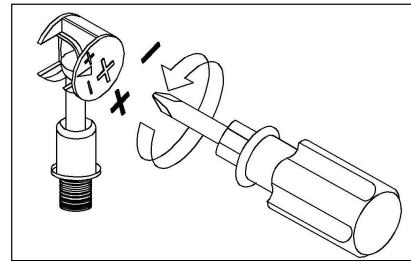
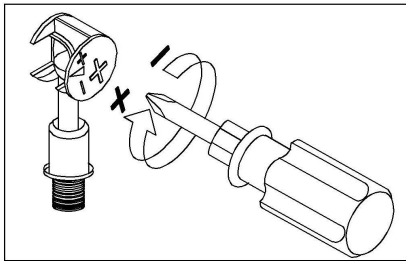
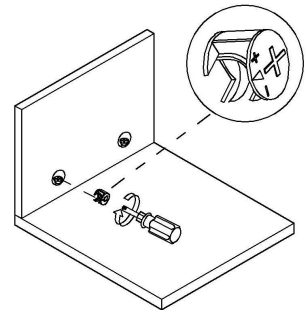
Step1



Step2



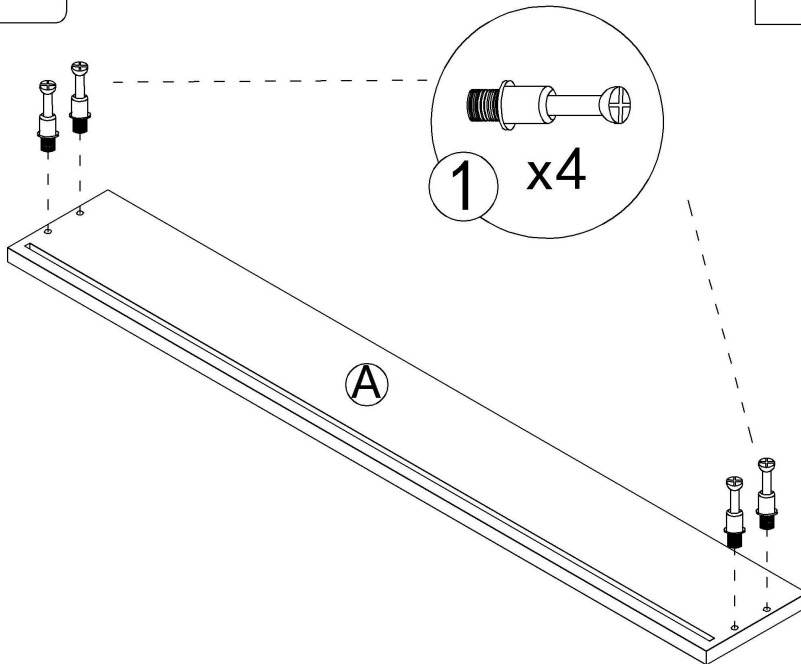
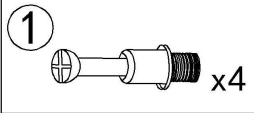
Step3



Use a screwdriver to lock in the direction of the "+" sign

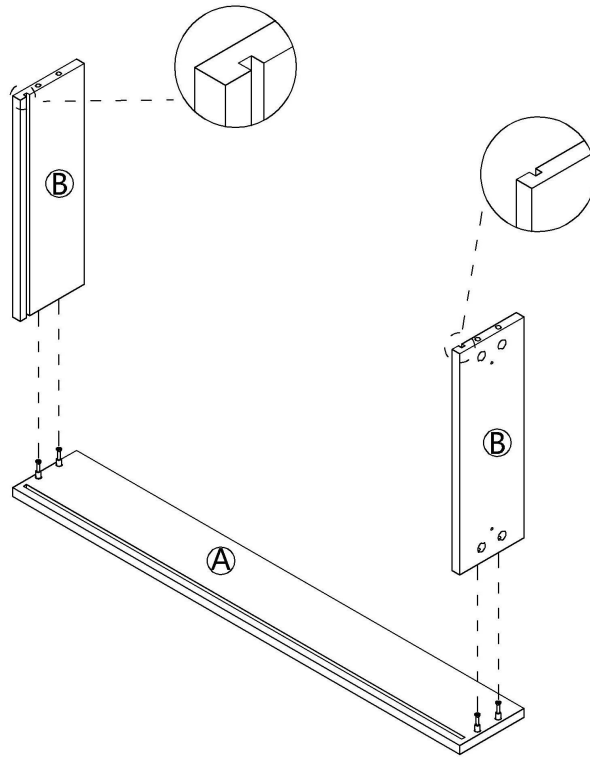
Disassemble along the direction of "-" sign

Step 1

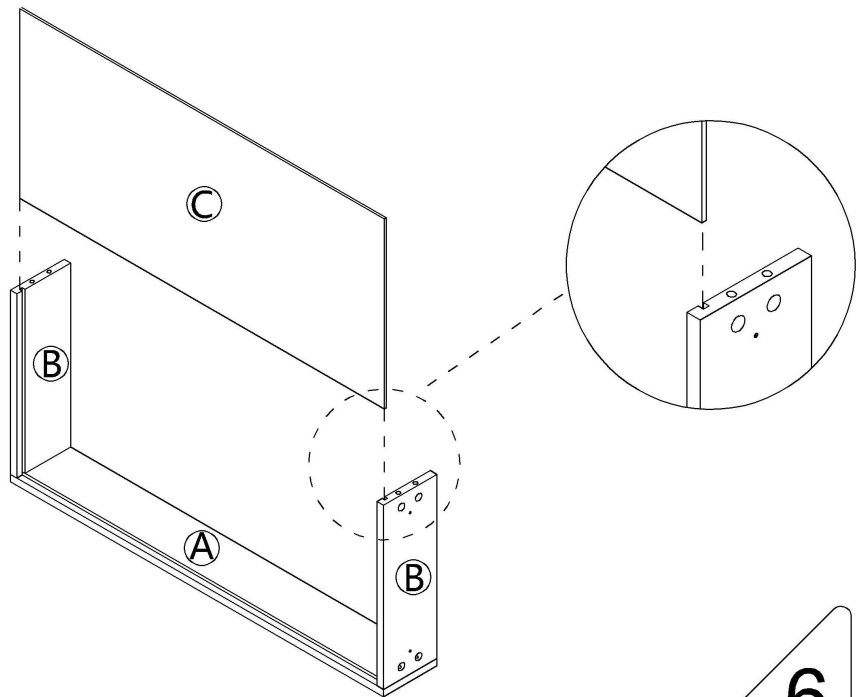


5

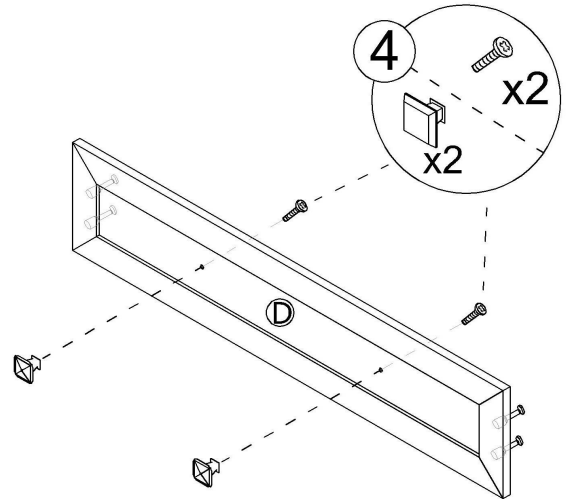
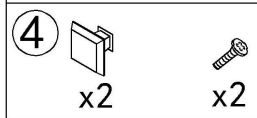
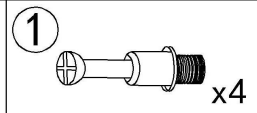
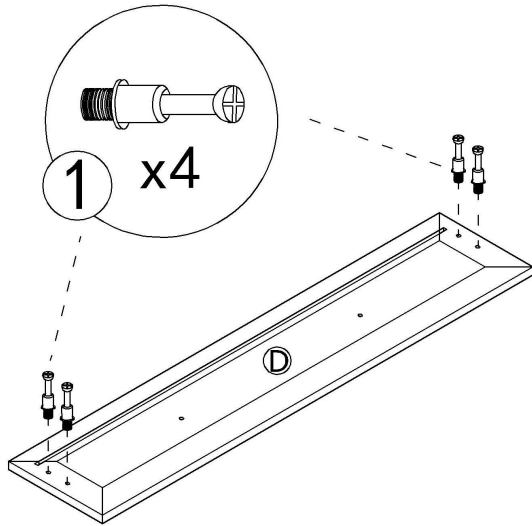
Step 2



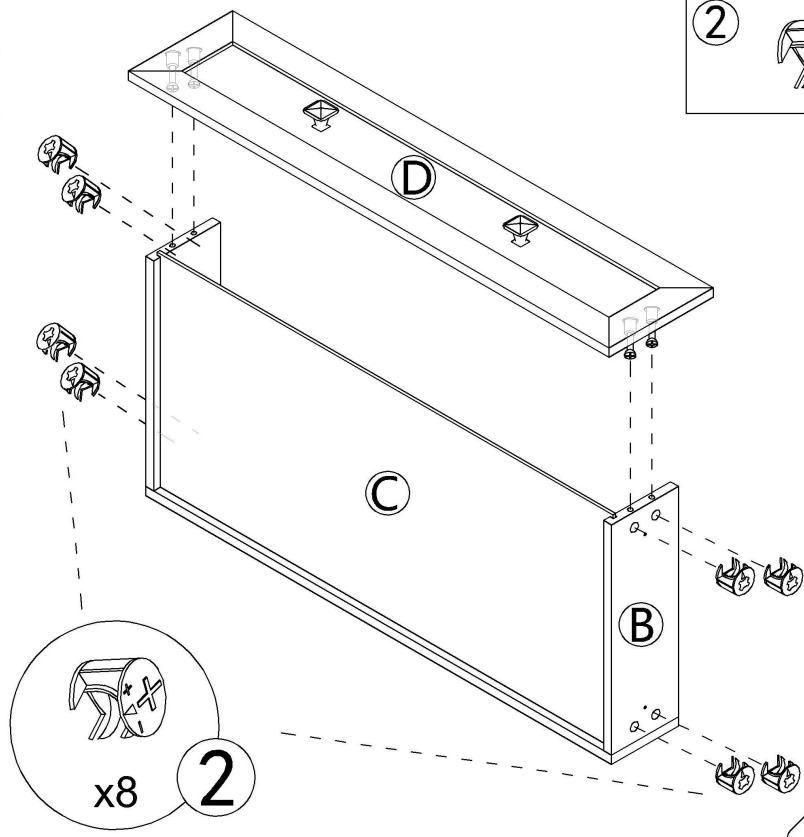
Step 3



Step 4

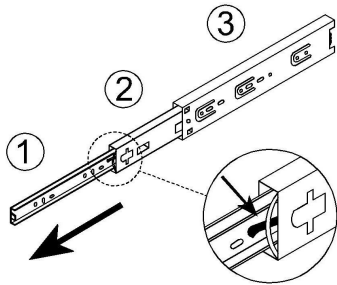


Step 5



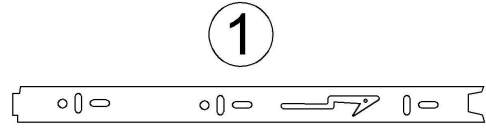
7

Exploded view of drawer guide rail



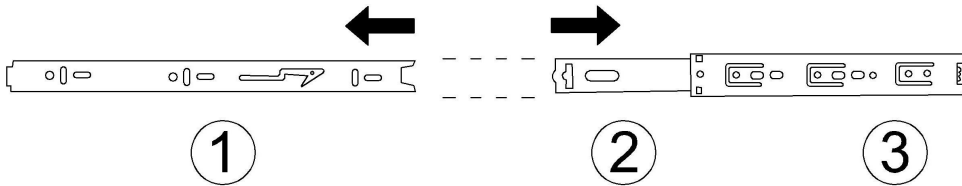
Step 1 : Pull the guide rail apart

Step 2 : Push the nylon buckle and pull outward ①



②

③

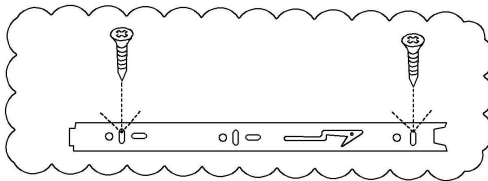




①

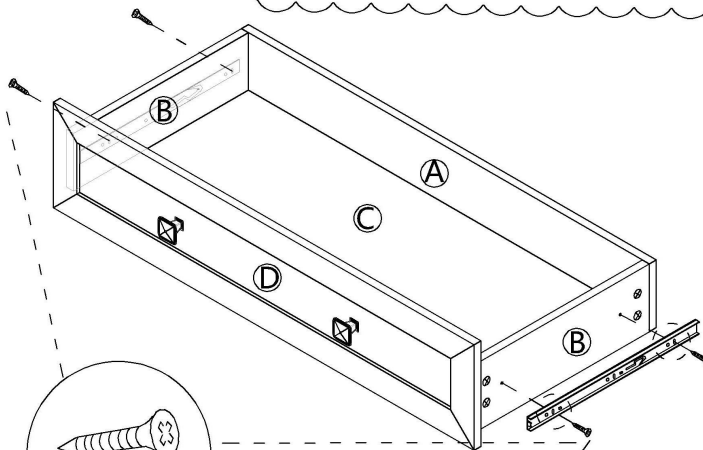
②

③

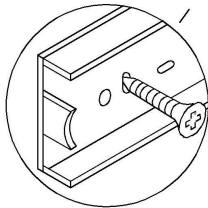
Step 6

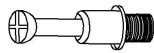







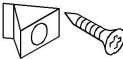
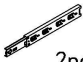


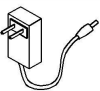



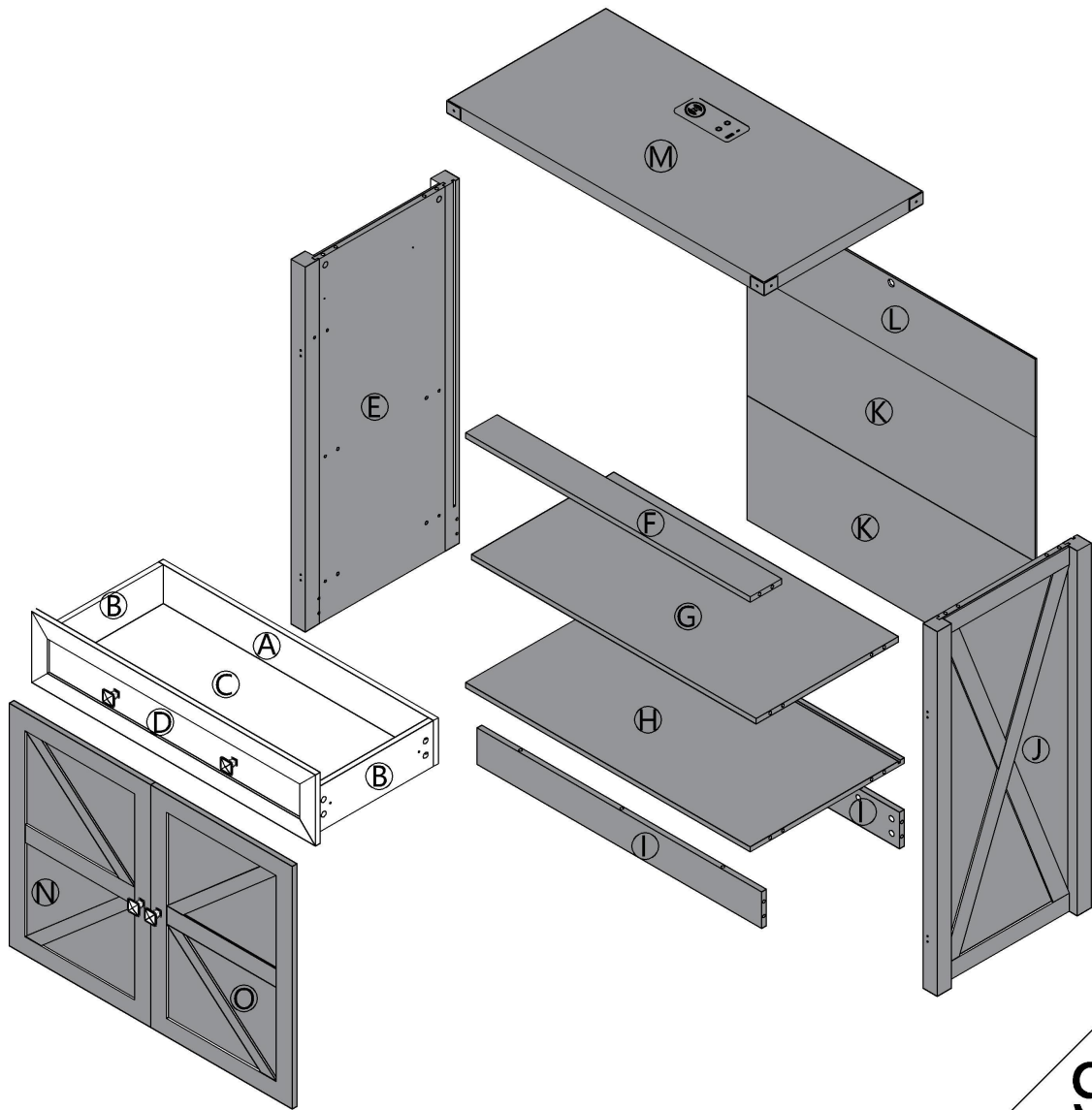
- ⑤  x2
- ⑤  x4



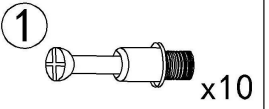
x4 ⑤



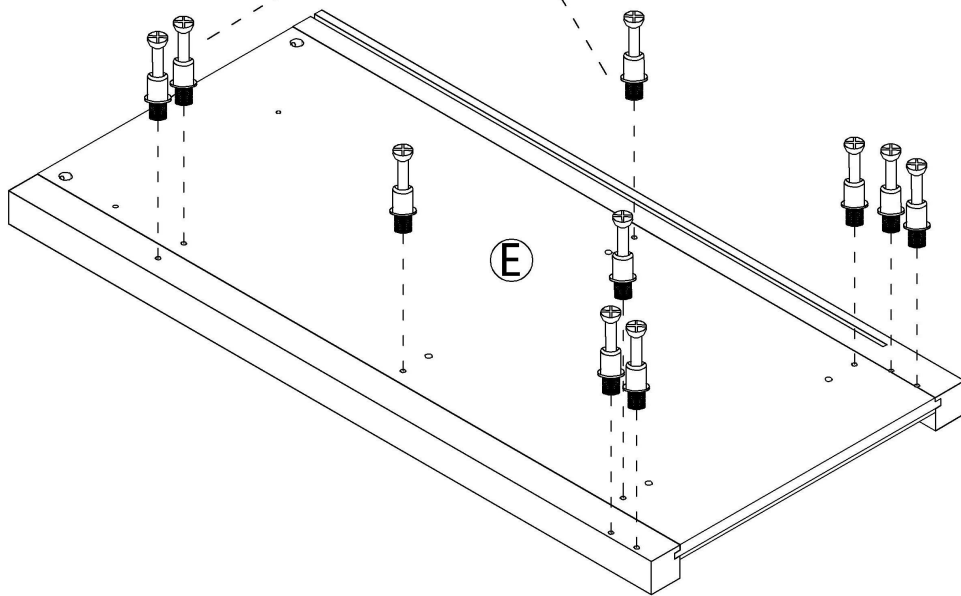
①		30pcs	⑥		4pcs	⑩		1pcs
②		30pcs	⑦		1pcs	⑪		2pcs
③		12pcs	⑧		2pcs	⑫		10pcs
⑤		2pcs	⑨		4pcs	⑬		2pcs
					1pcs			2pcs



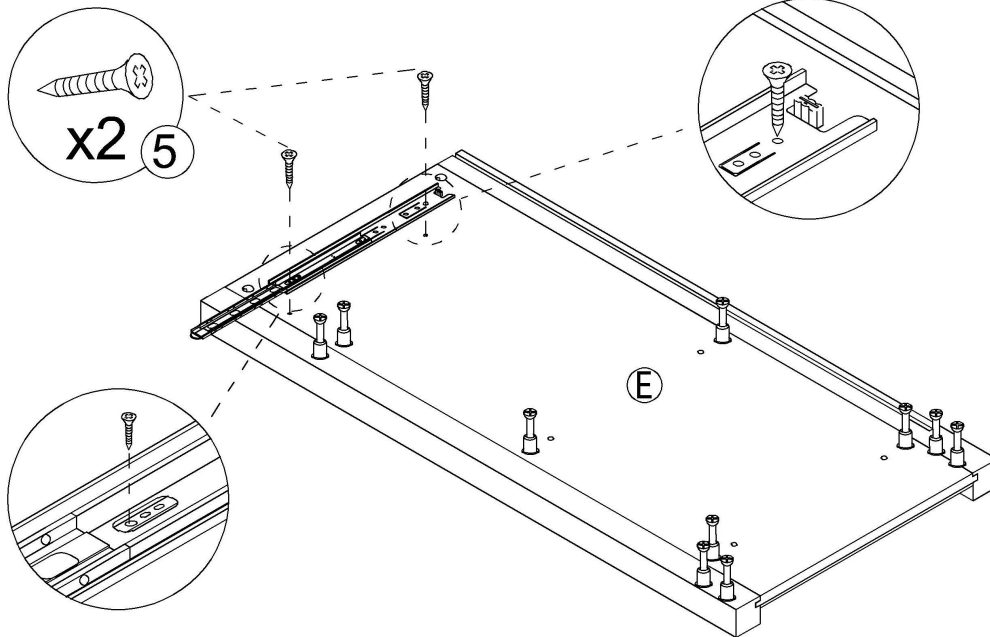
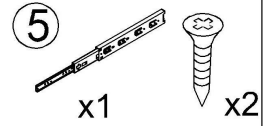
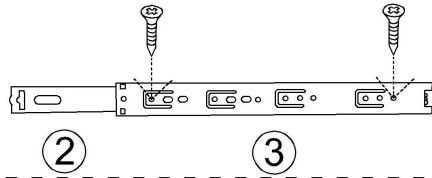
Step 7



1 x10



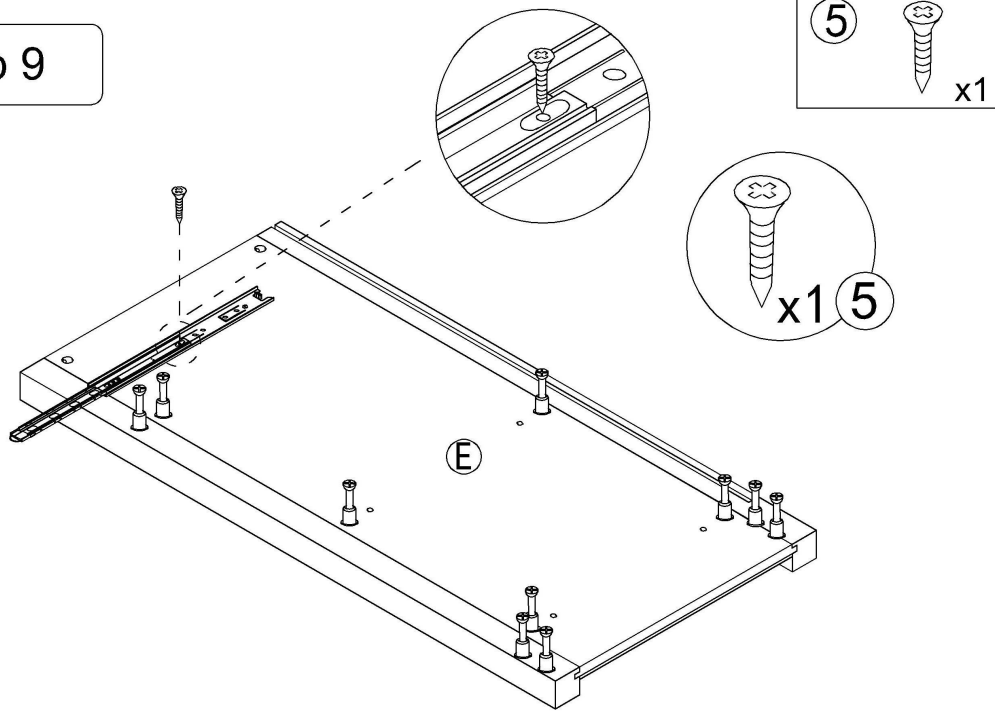
Step 8



x2 5

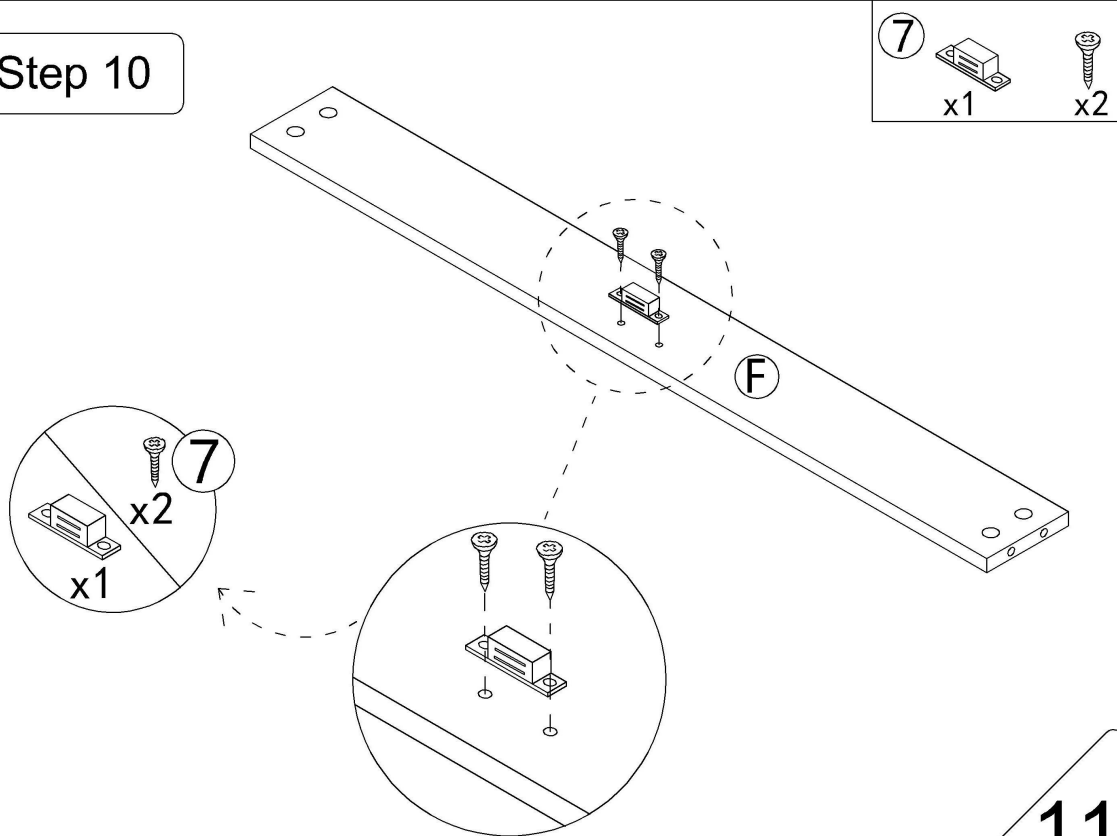
10

Step 9

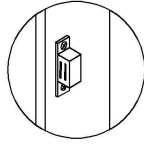


This hole is for strengthening fixed hole customers can choose to install according to their needs.

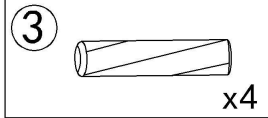
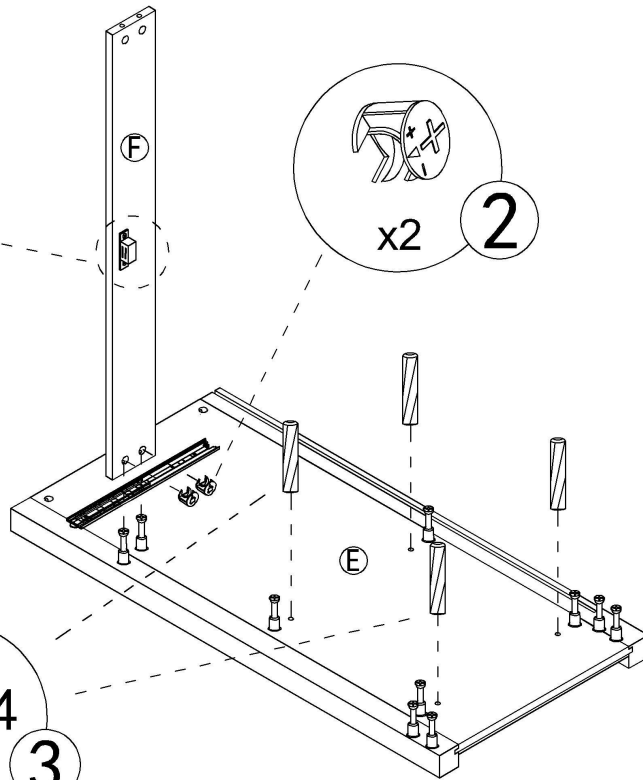
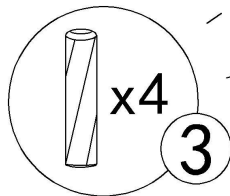
Step 10



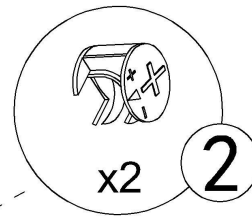
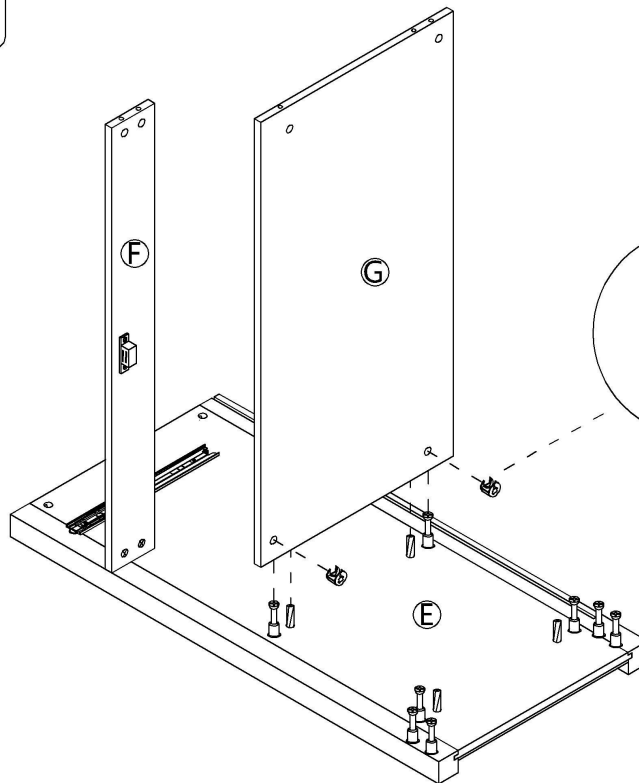
Step 11



pay attention to

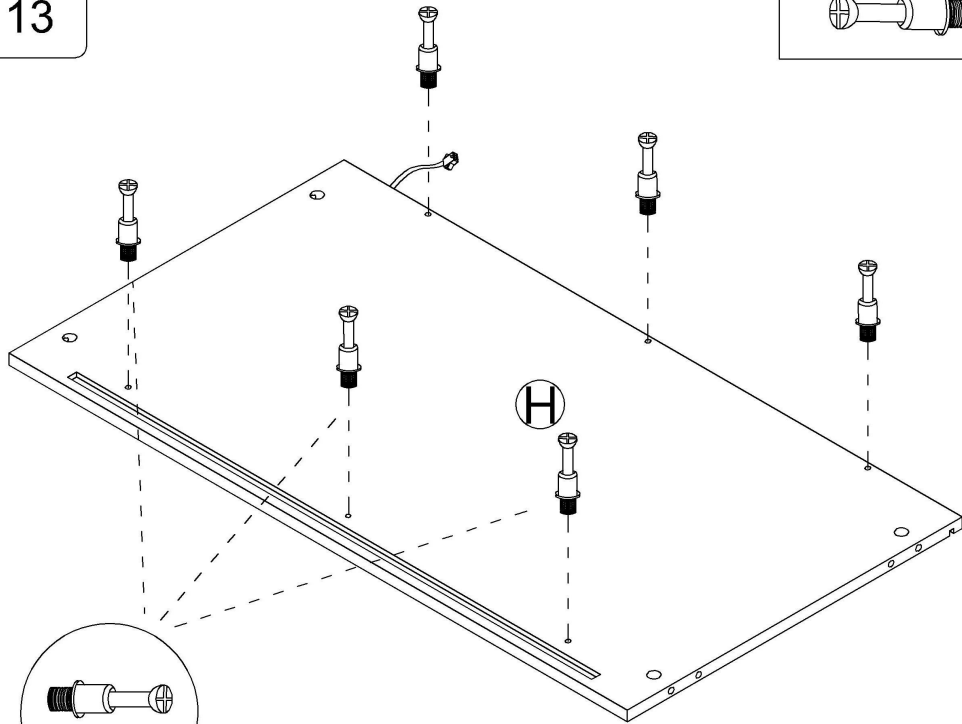
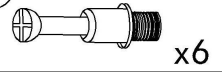


Step 12



Step 13

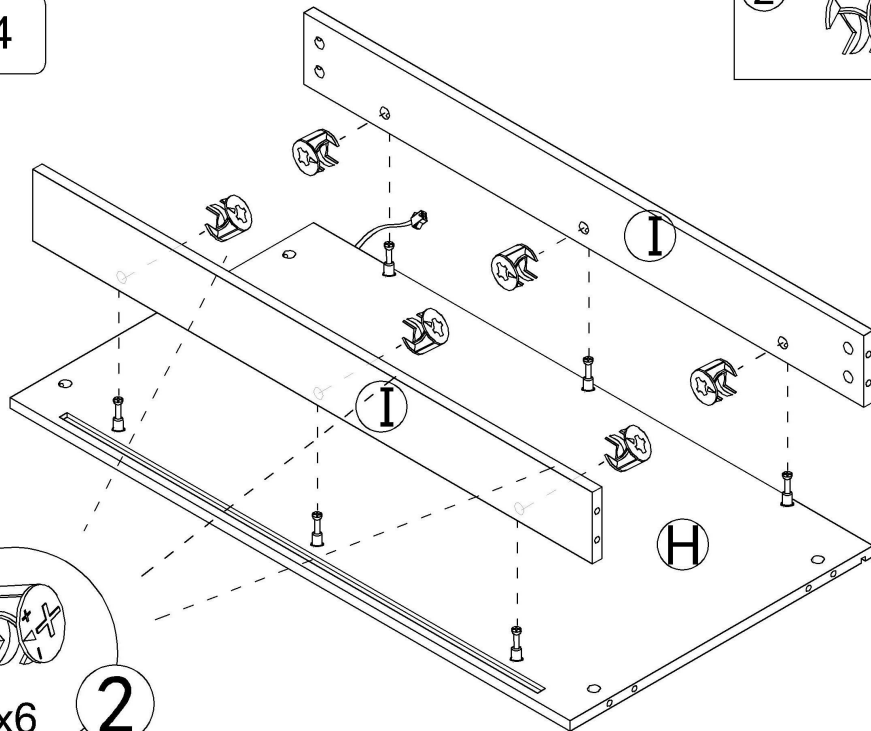
1



1 x6

Step 14

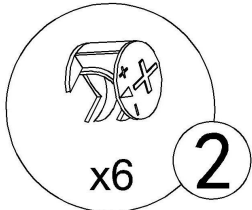
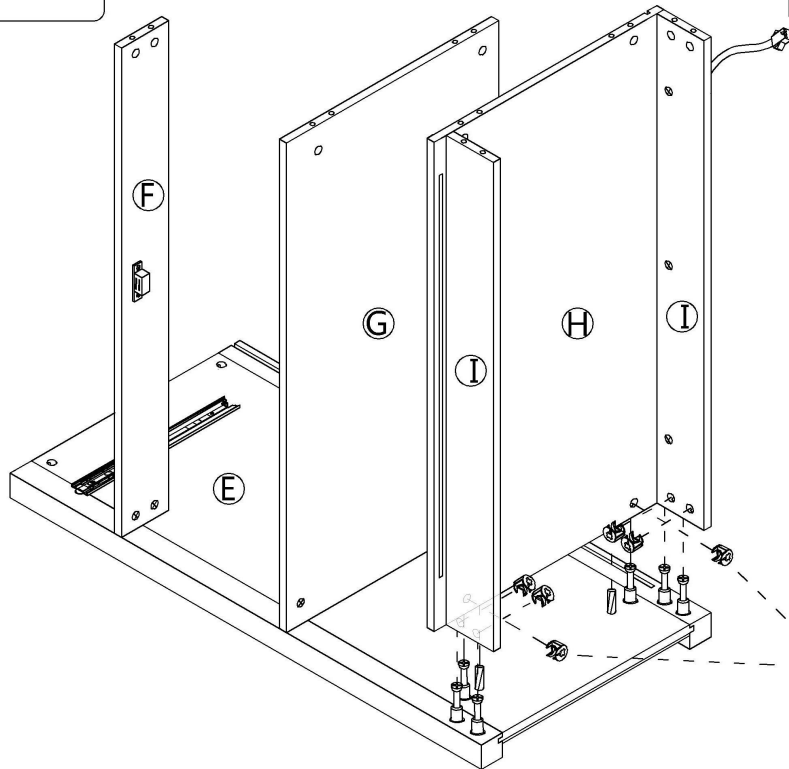
2



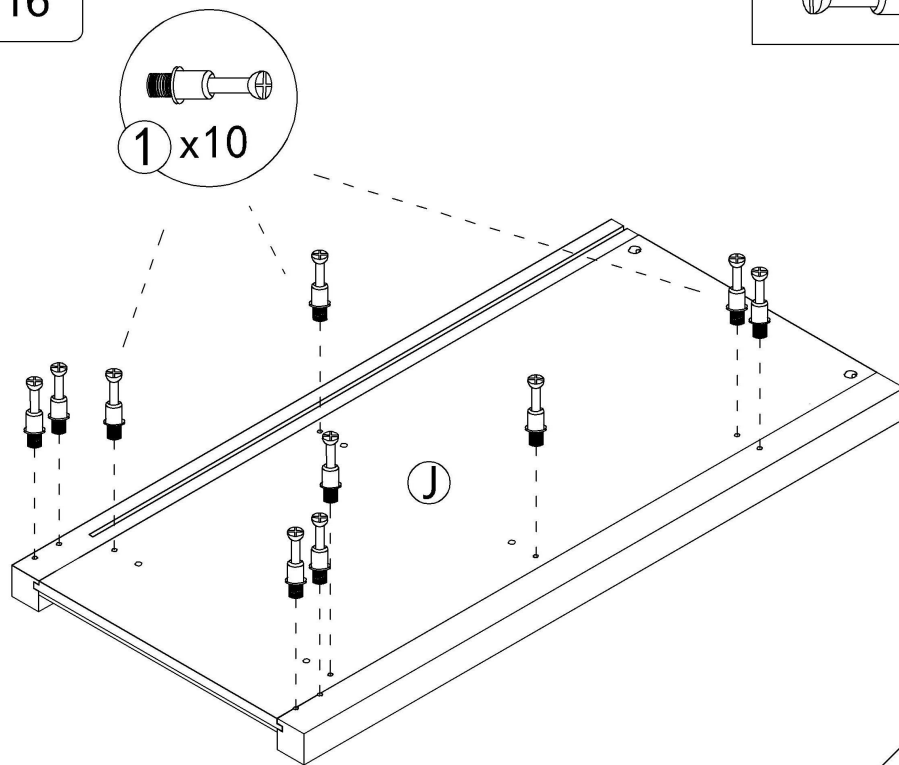
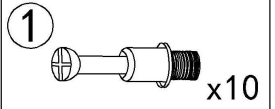
x6

2

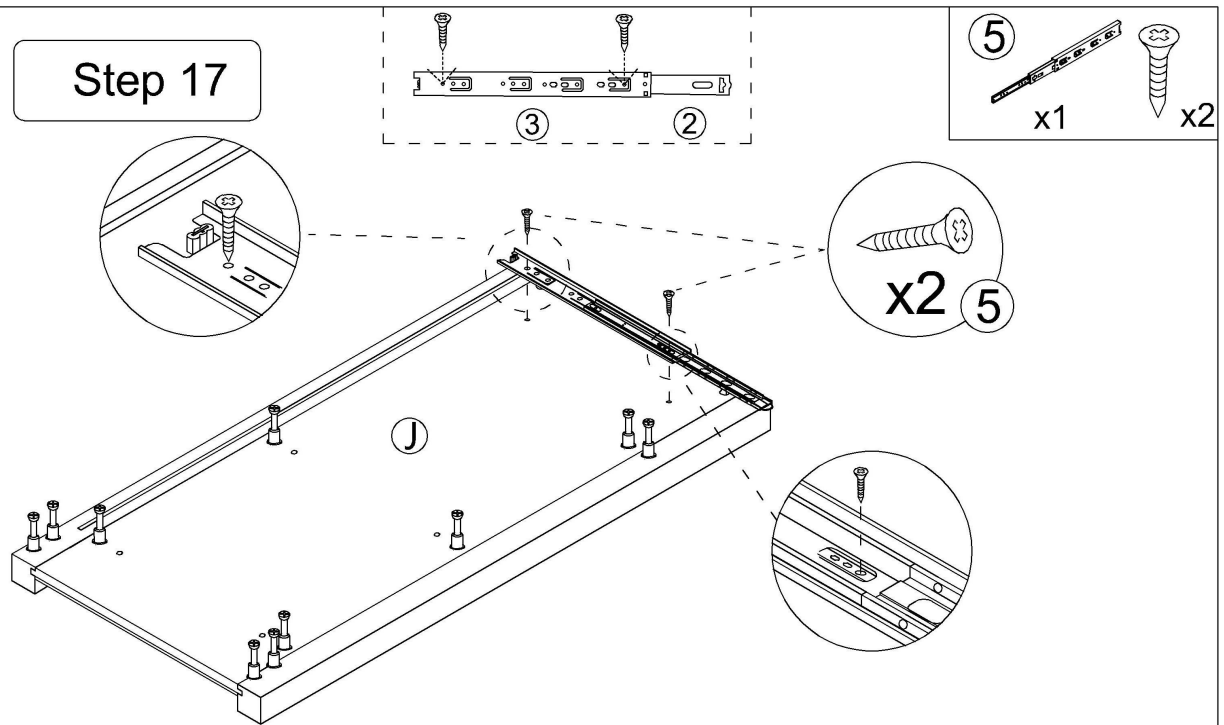
Step 15



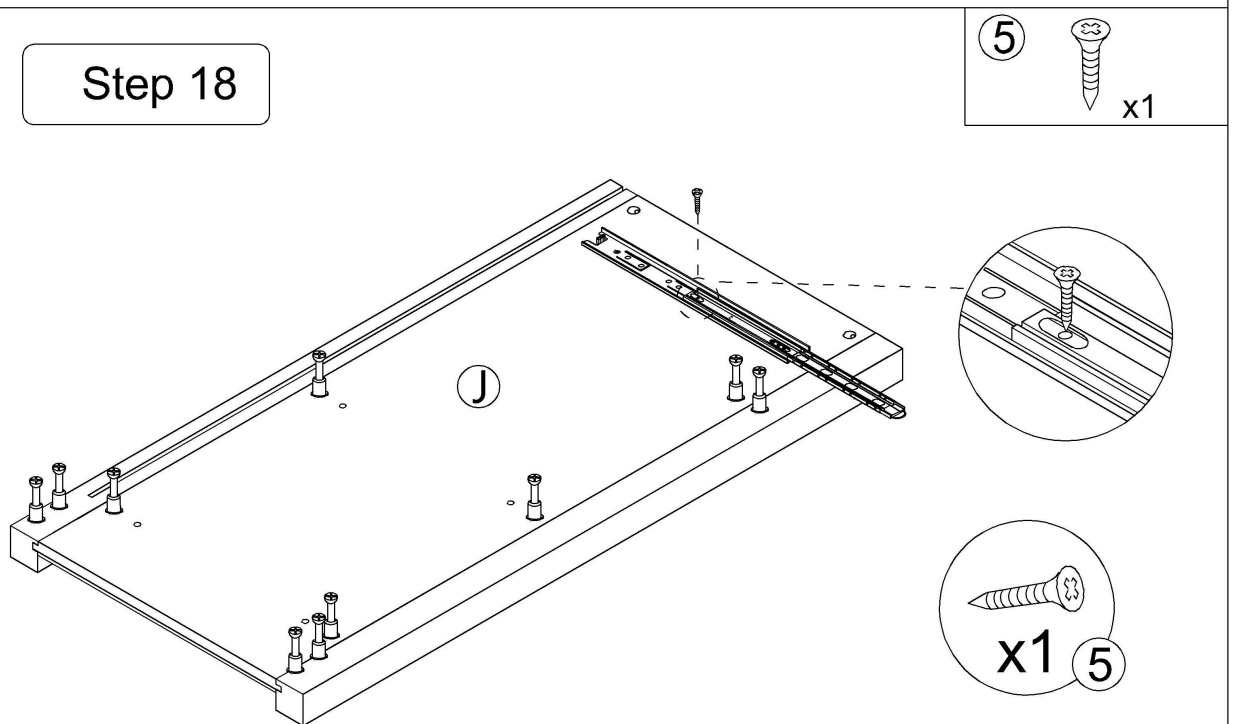
Step 16



Step 17

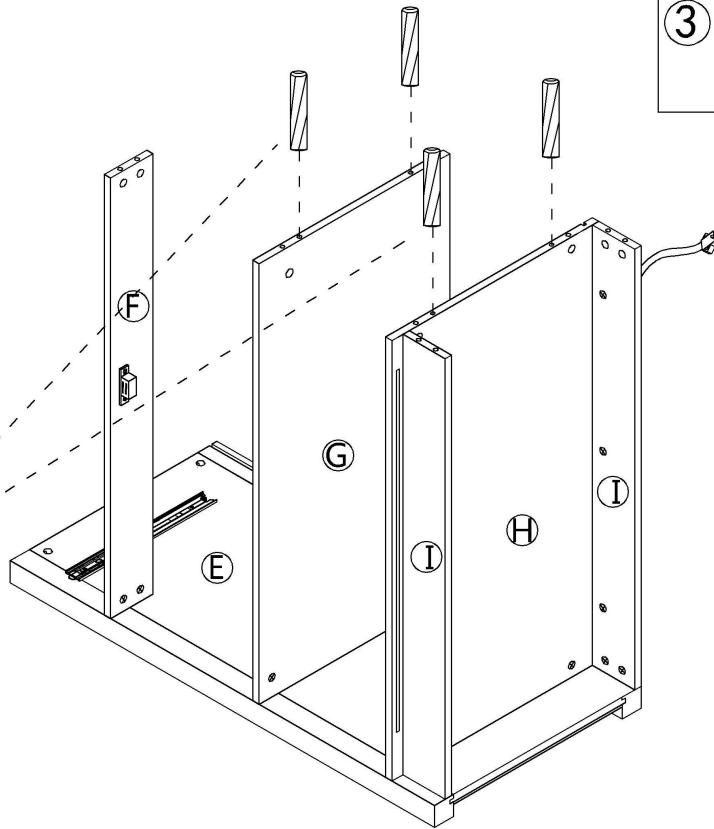
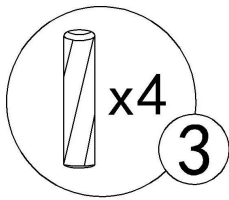
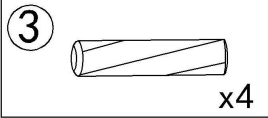


Step 18

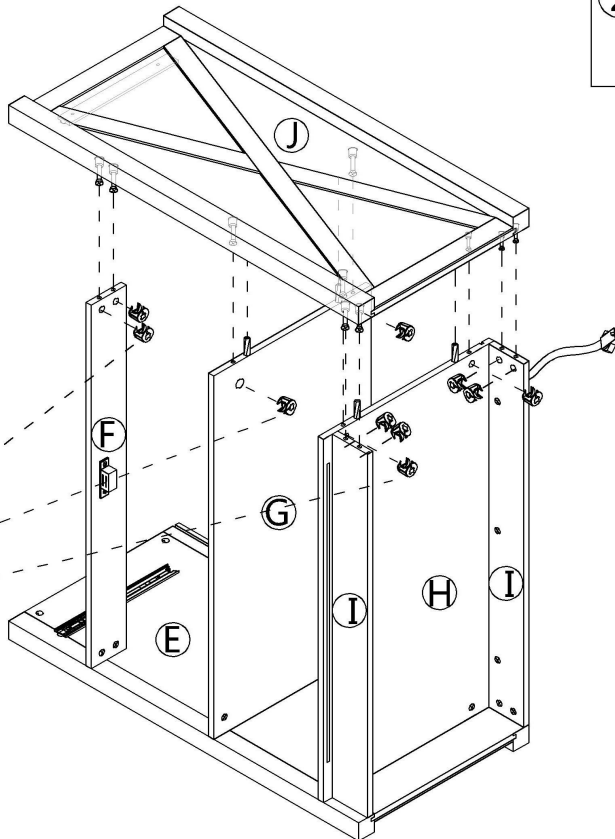
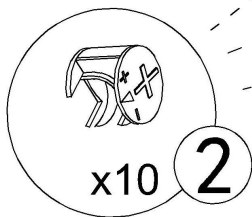


This hole is for strengthening fixed hole customers can choose to install according to their needs.

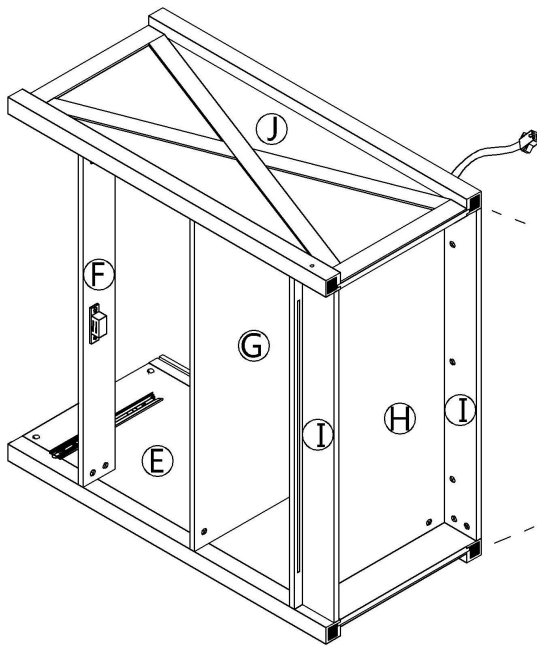
Step 19



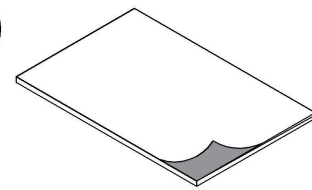
Step 20



Step 21

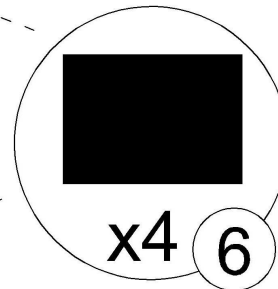


6

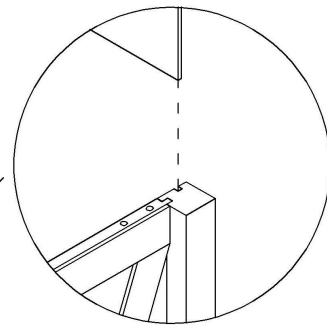
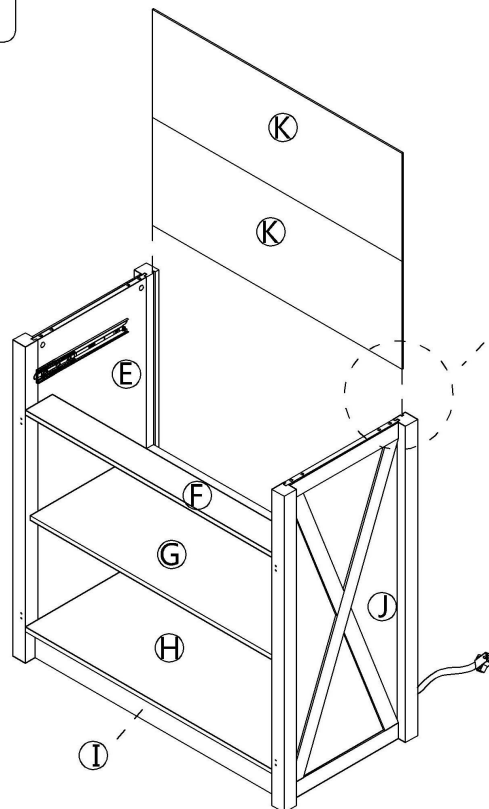


x4

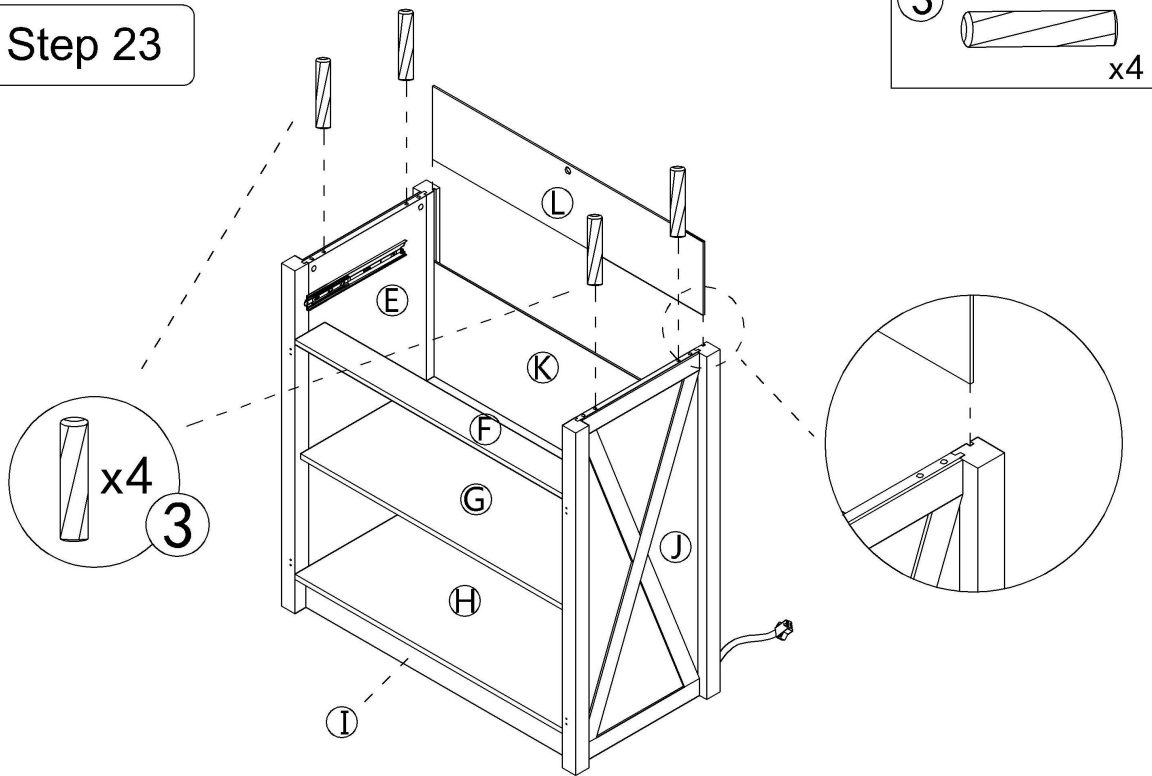
Tear off release paper and stick the black foot pad on the board



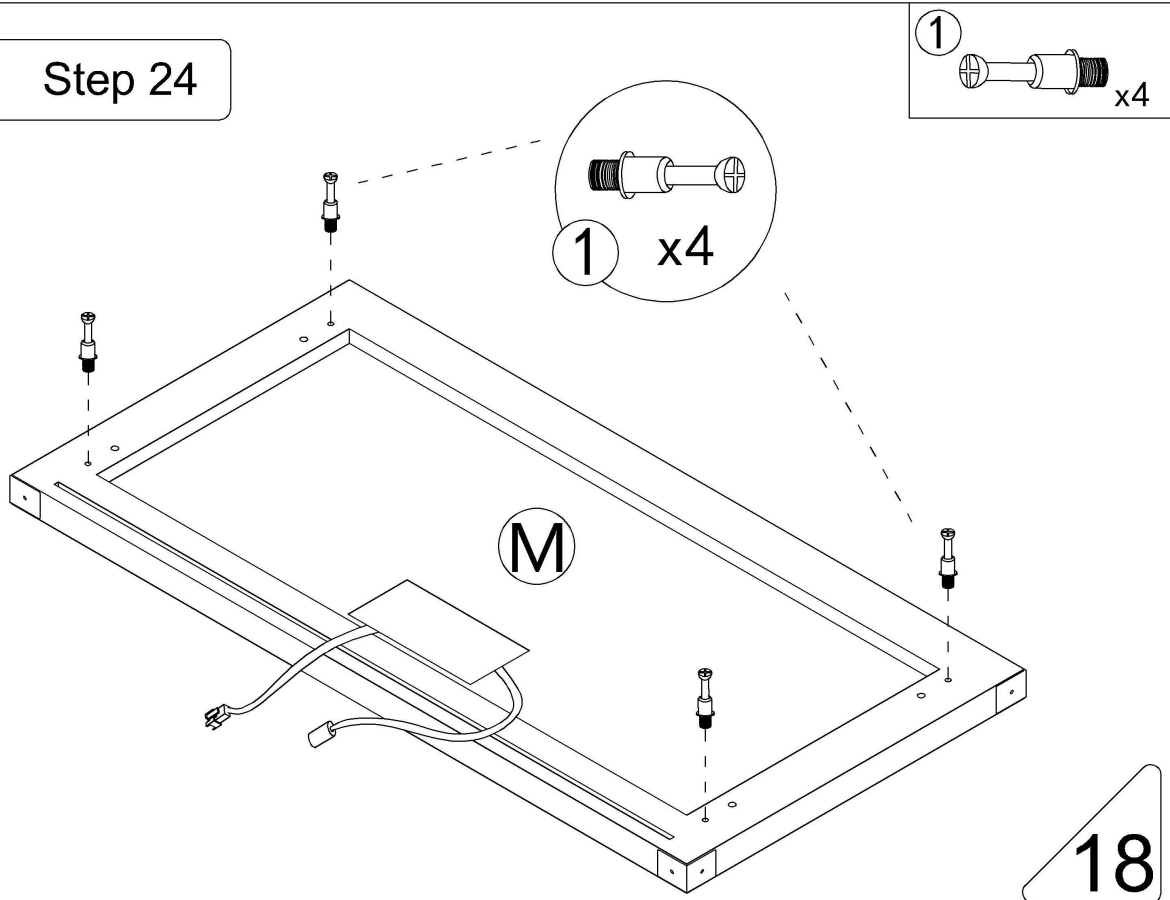
Step 22



Step 23

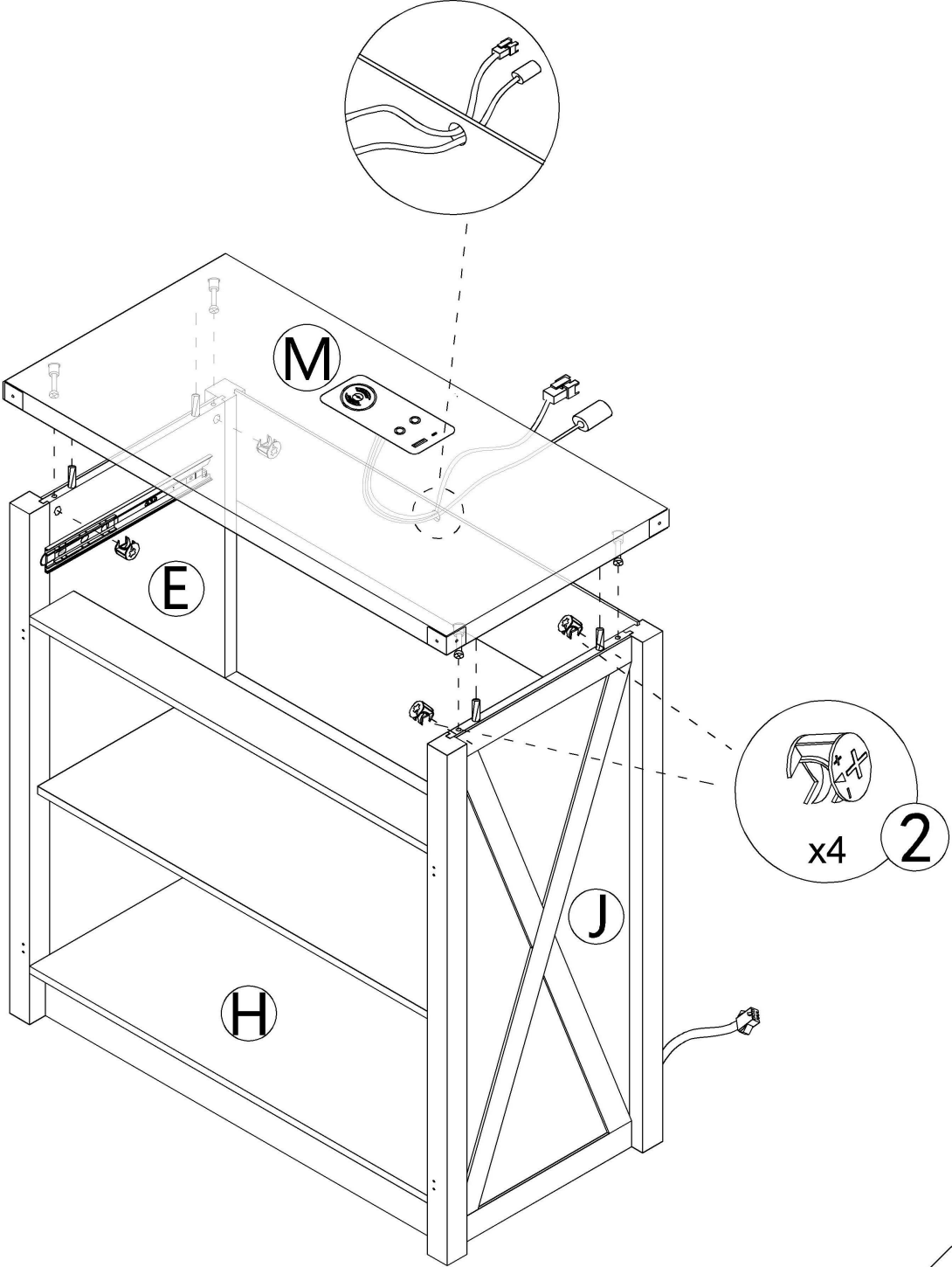


Step 24

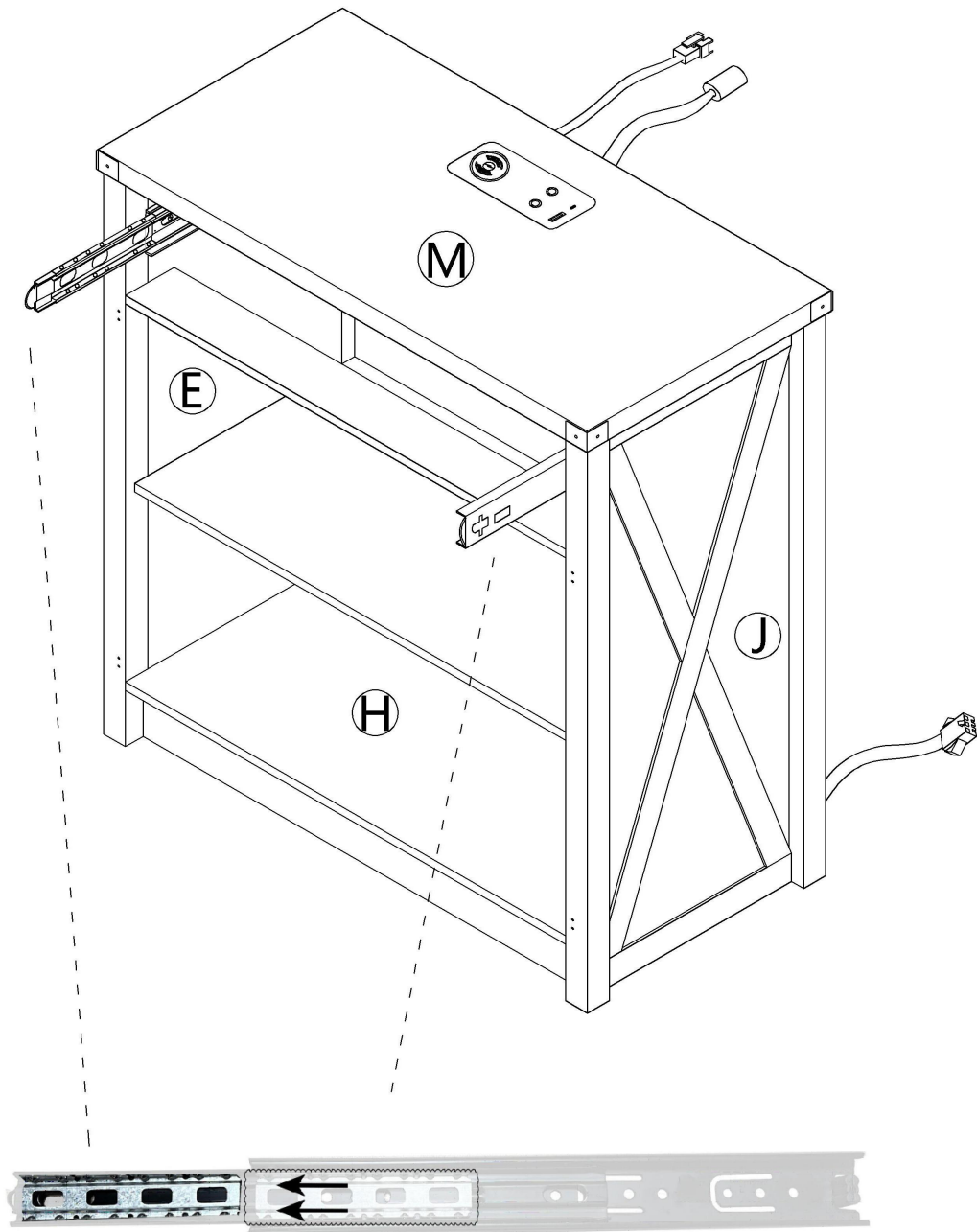


Step 25

2  x4

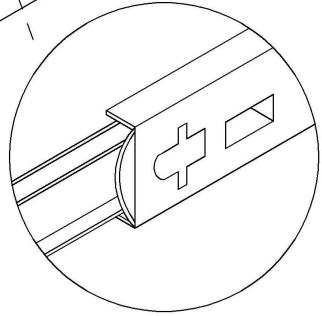
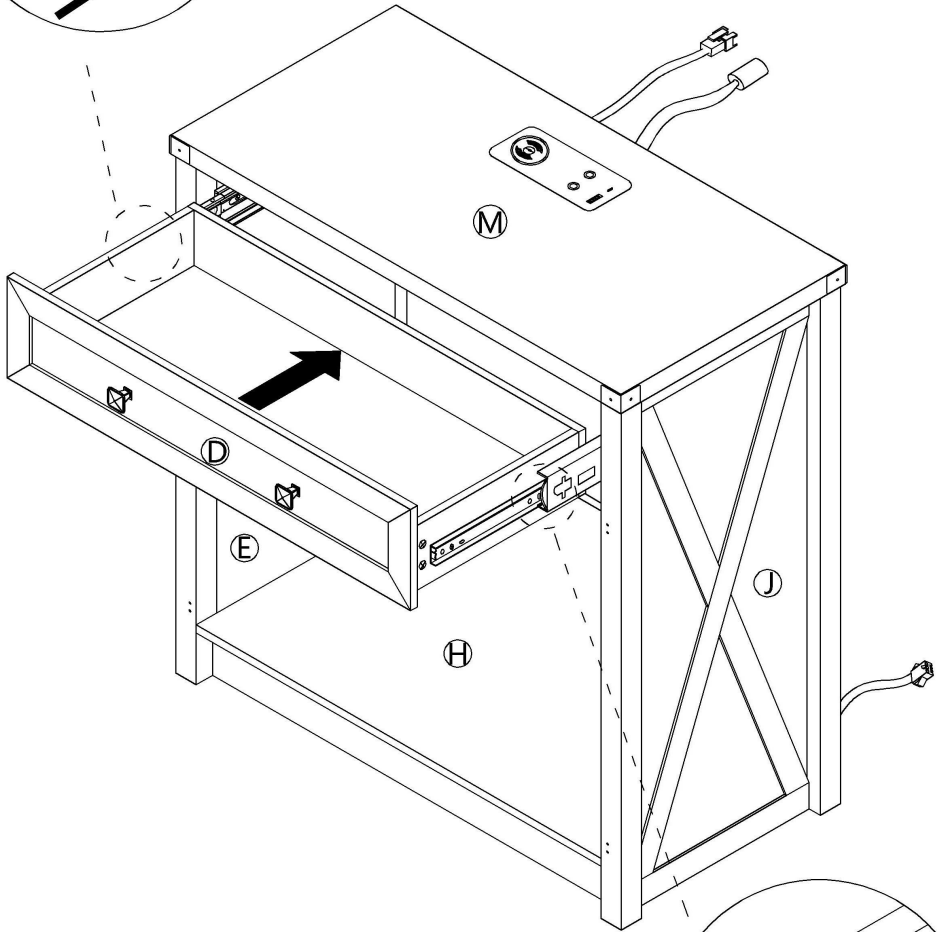
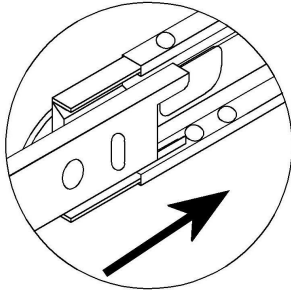


Step 26

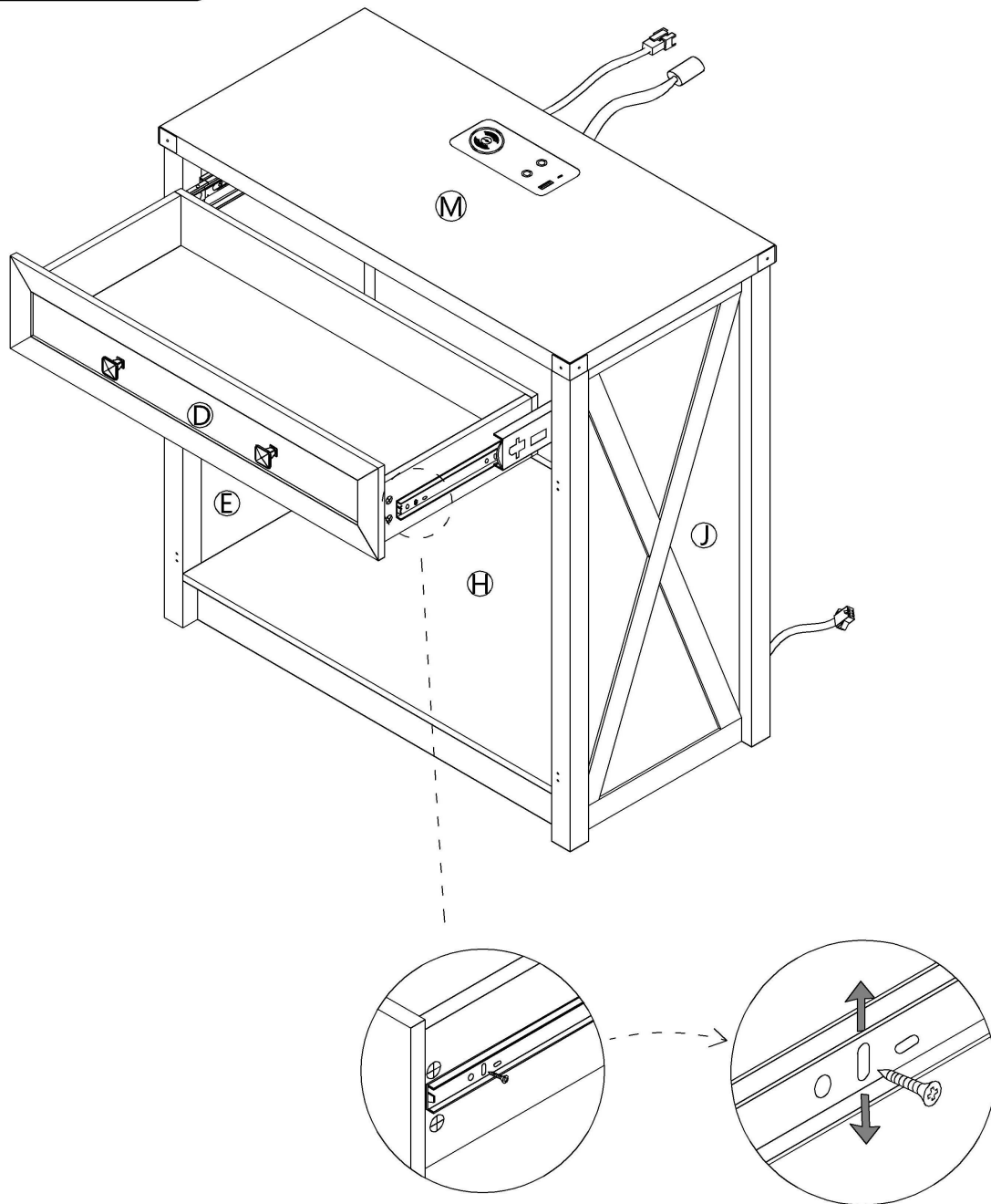


As shown, When installing the drawer,
pull the guide rail out first, Slide beads are also pulled out.

Step 27

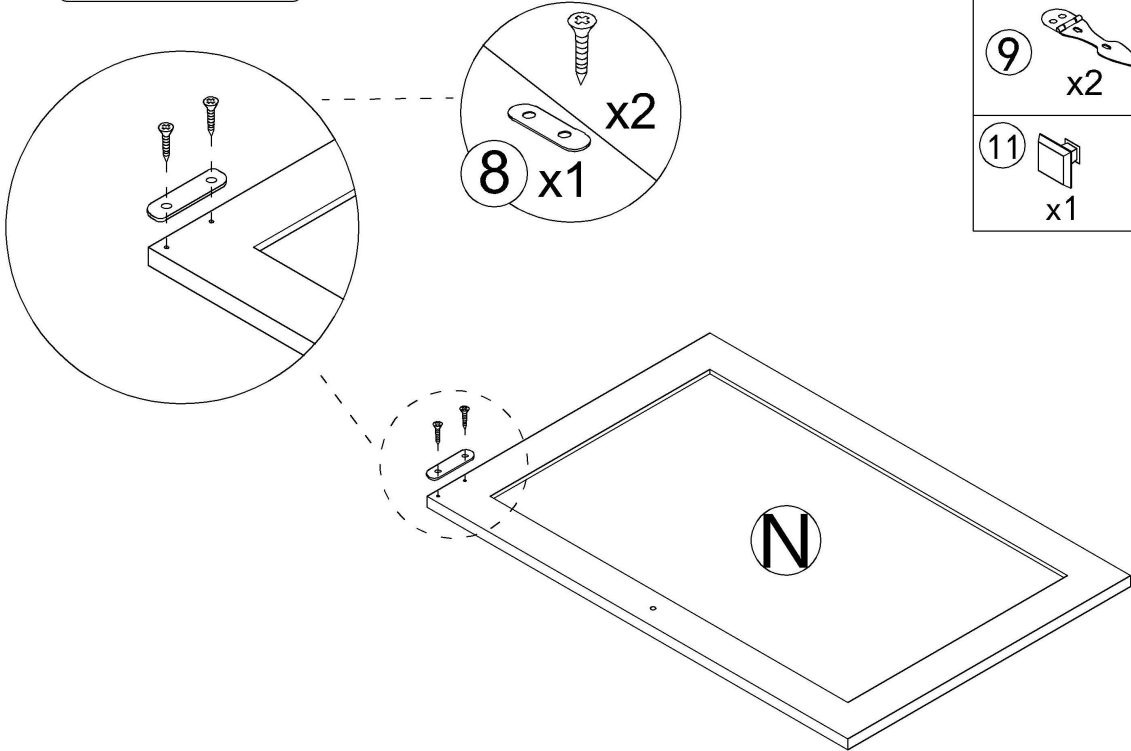


Step 28



If a large gap is found after installing the drawer the slide rail can be moved up and down to adjust the gap

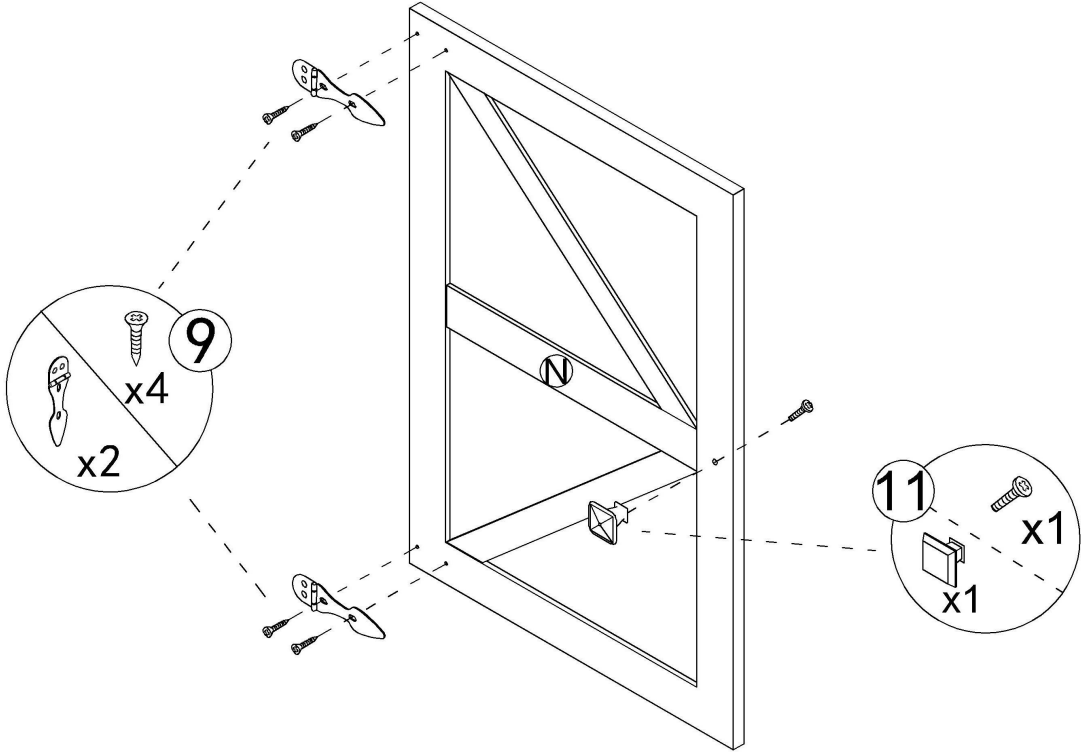
Step 29



- 8 x1
- x2

- 9 x2
- x4

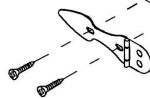
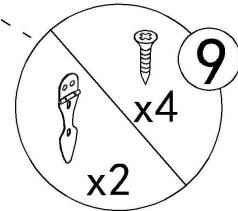
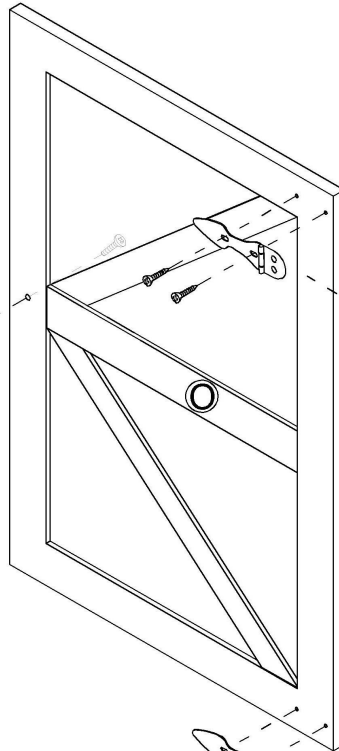
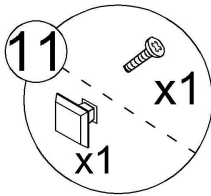
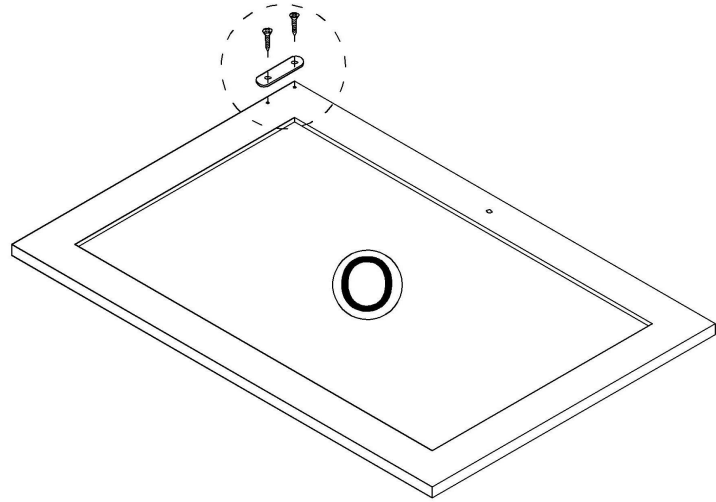
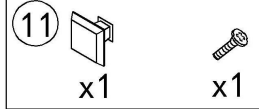
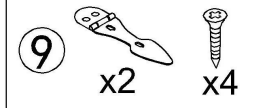
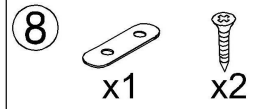
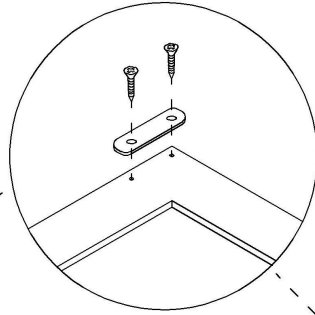
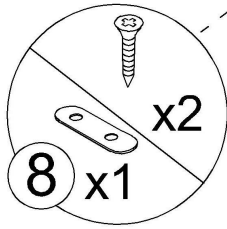
- 11 x1
- x1



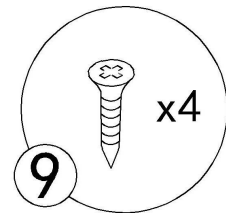
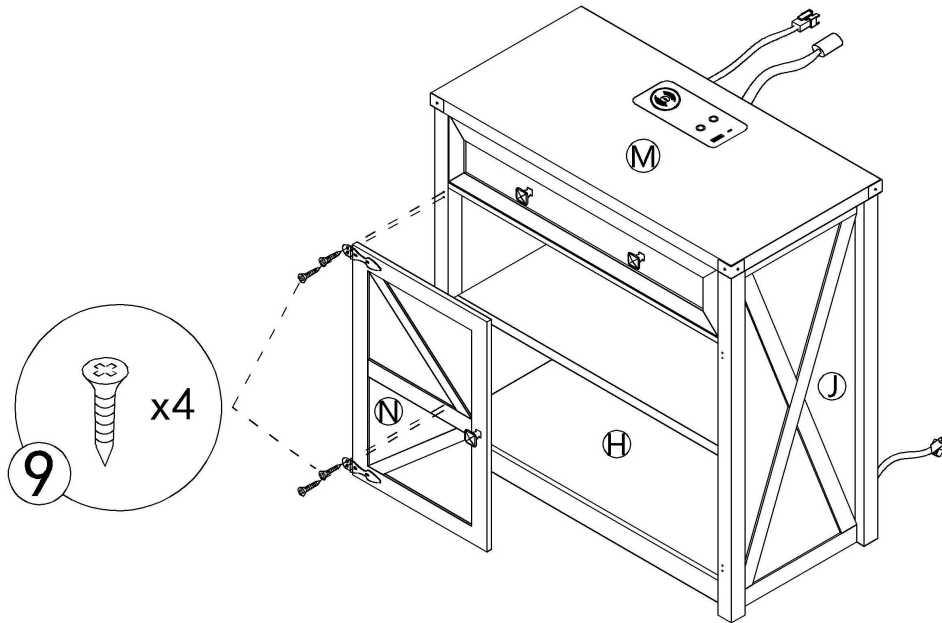
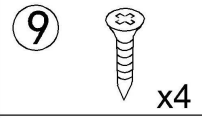
- 9 x4
- x2

- 11 x1
- x1

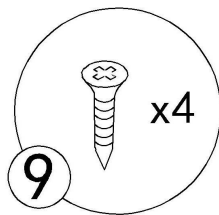
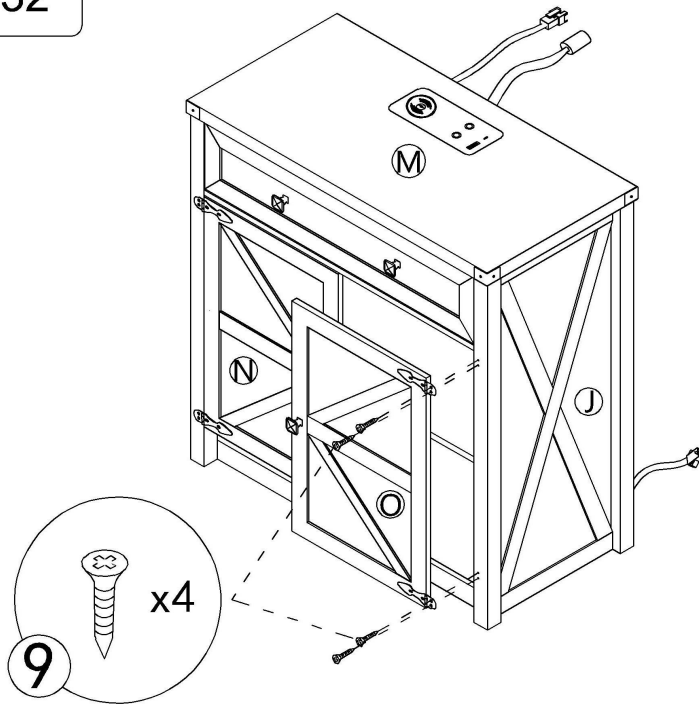
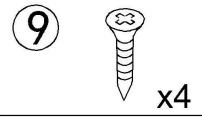
Step 30



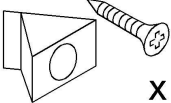
Step 31

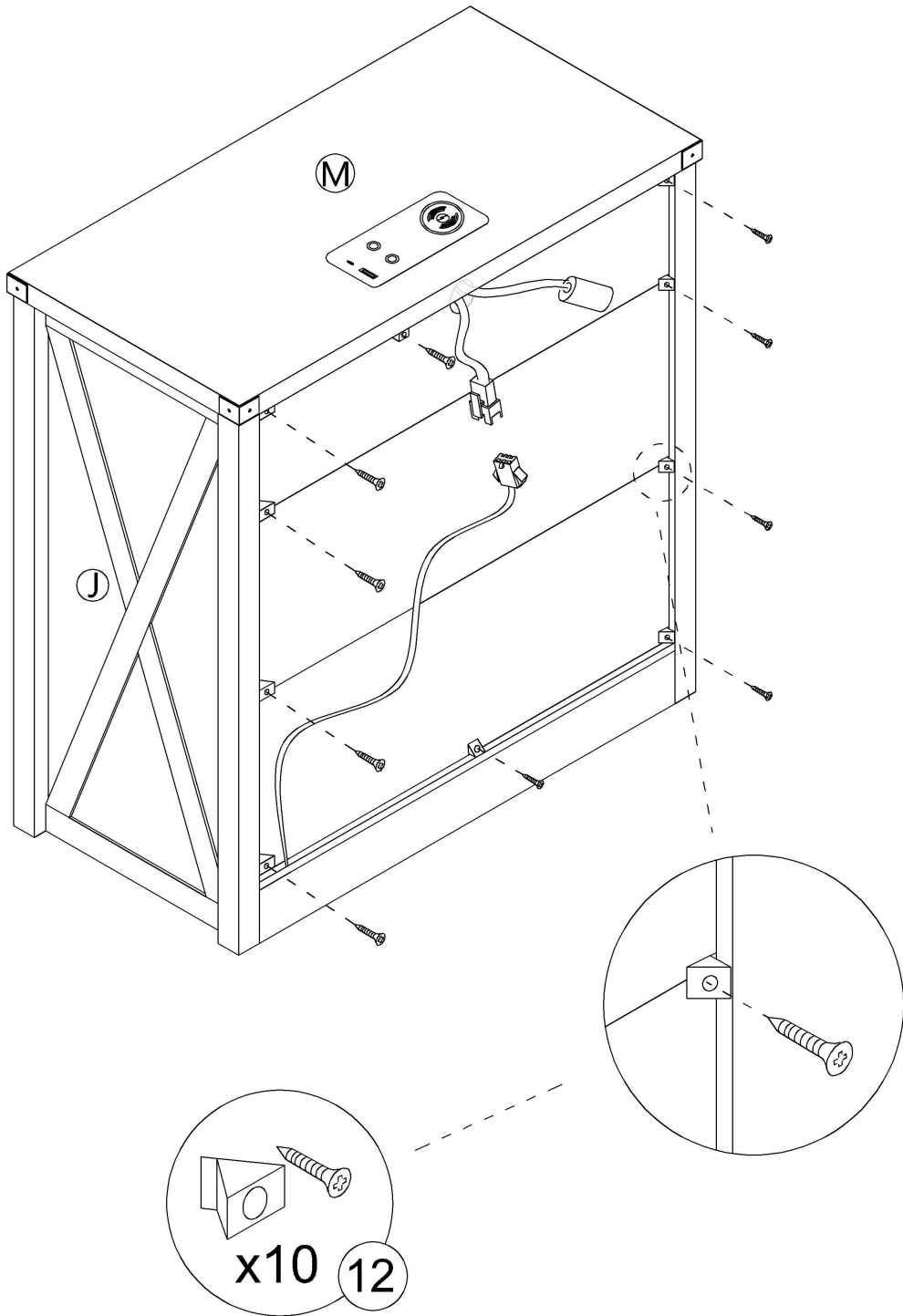


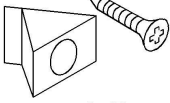
Step 32



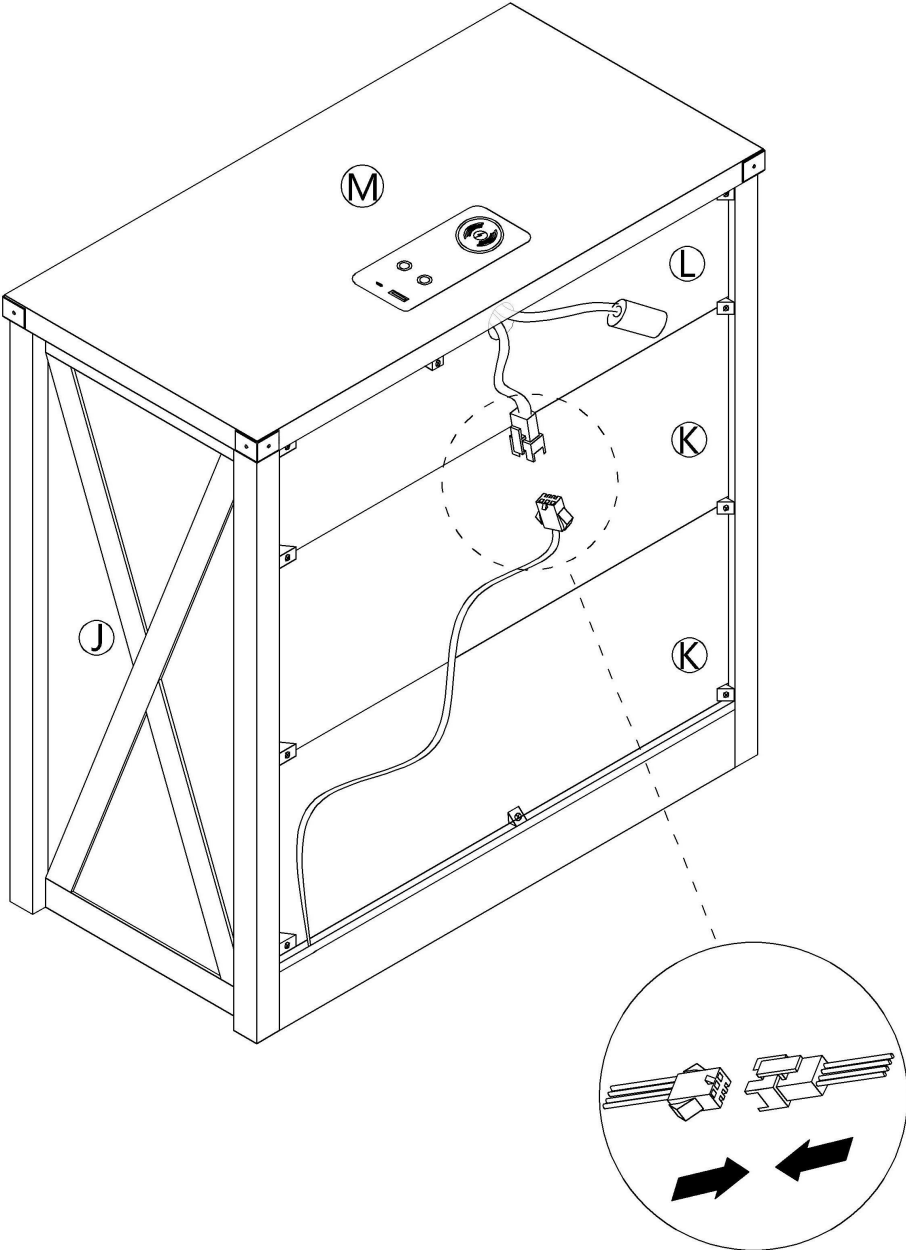
Step 33

12  x10

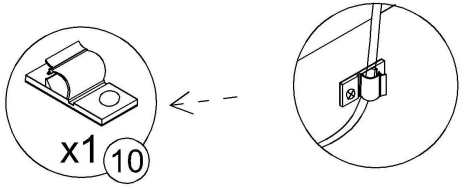
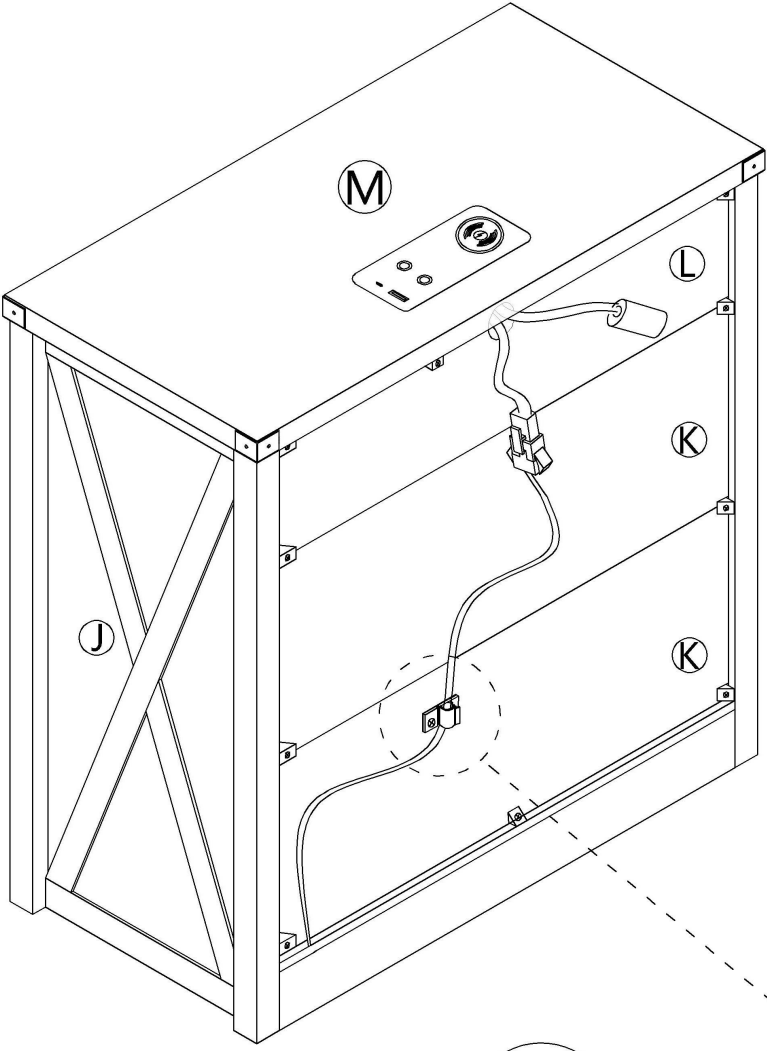
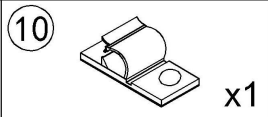


 x10 12

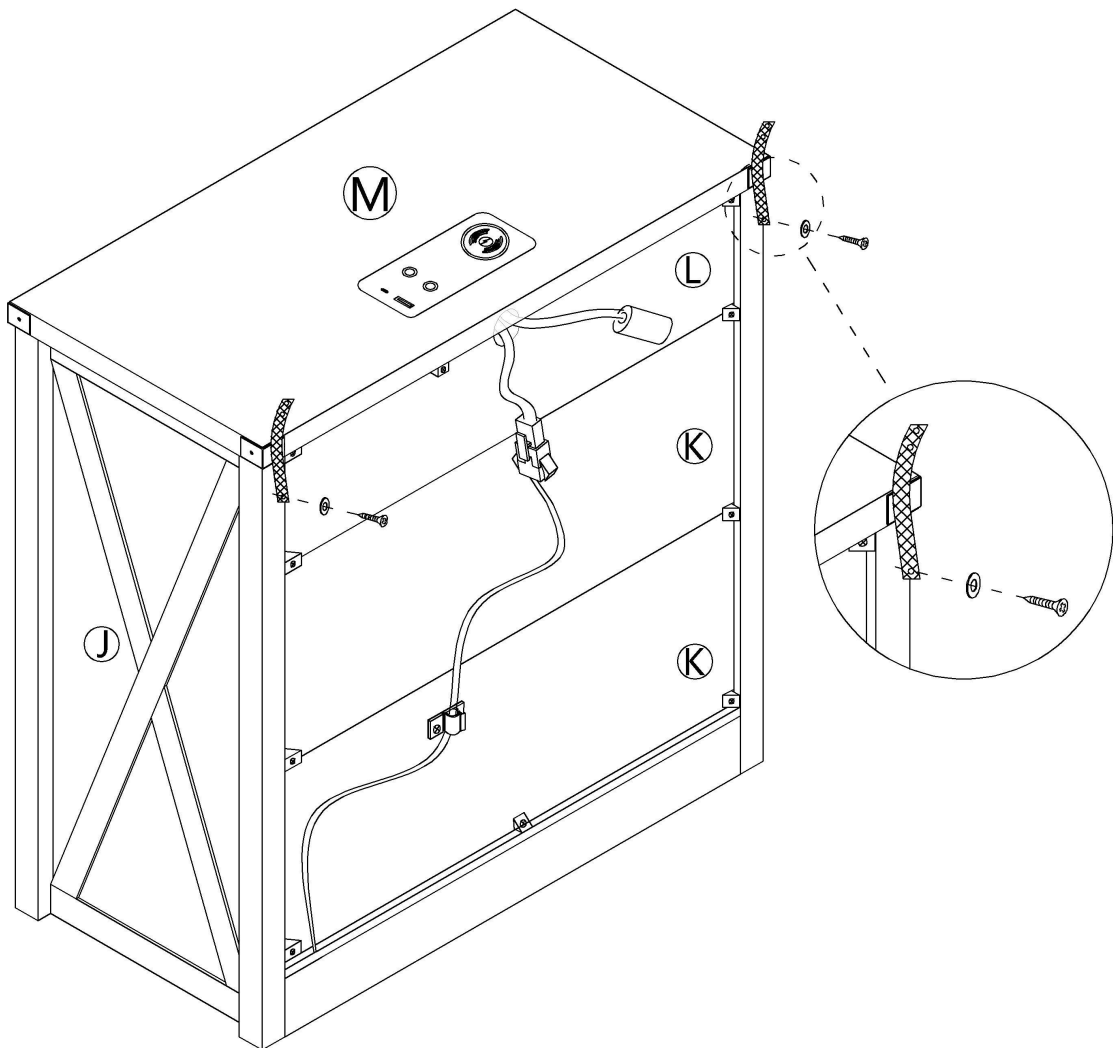
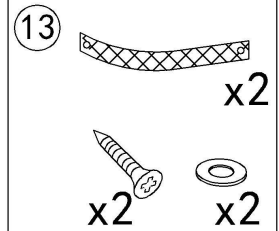
Step 34



Step 35

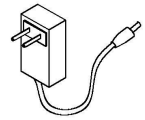


Step 36

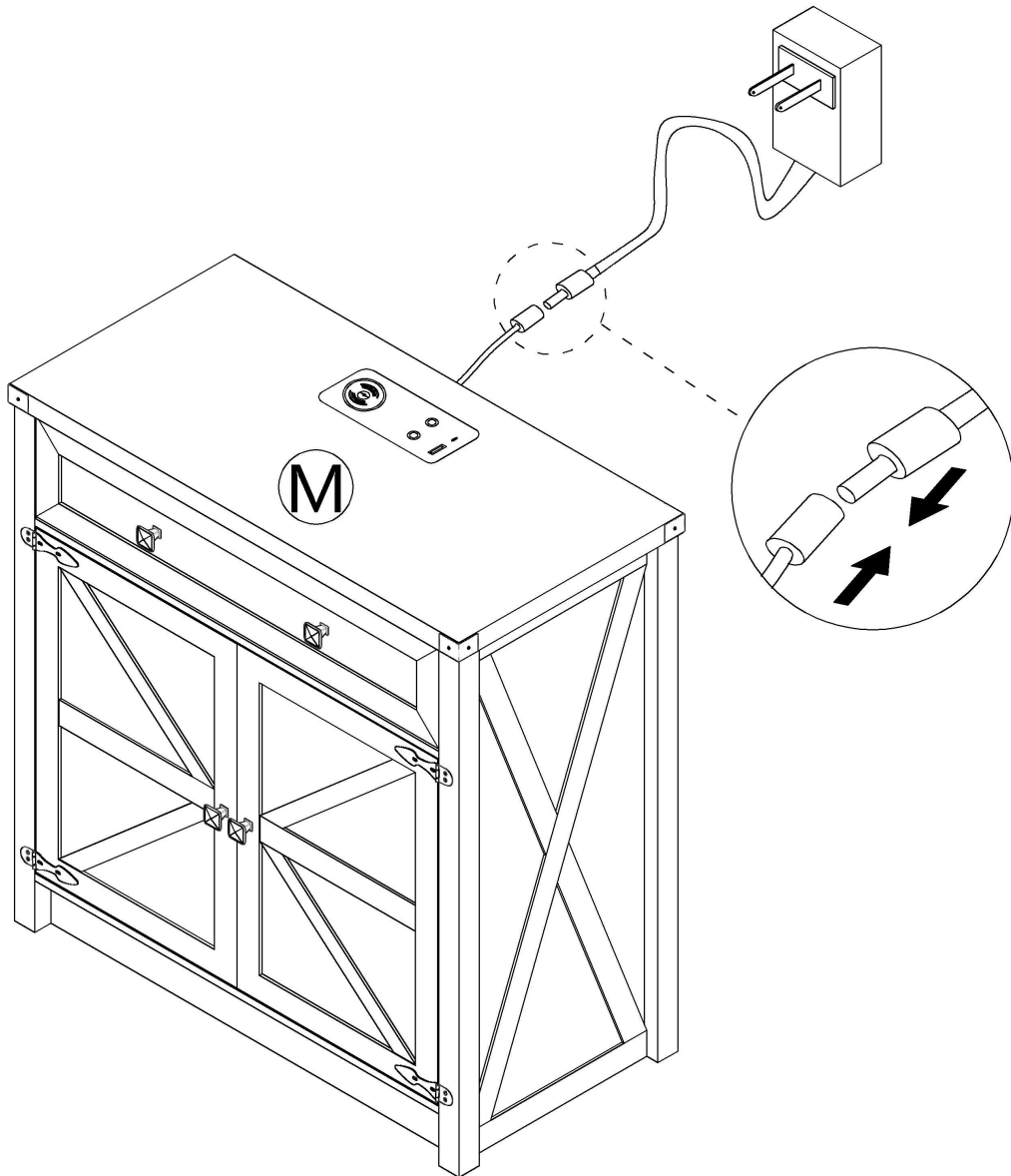


1. Customers selectively install anti rewind straps
2. Install anti rewind tape at the edge of the board to prevent insufficient length when connecting to the wall

Step 37



x1



30



User's Guide

Thank you for purchasing this product.

To use this product, please plug it into a 12V DC power supply.

Please use if the product works normally after connecting to power.

Introduction

The box is an intelligent controller. It has 1 USB port and 1 type-C port and can distribute the current output up to 5V DC-2A. With 2 touch buttons, it can turn ON/OFF the light, change light colors, and adjust the light luminance.

Operation



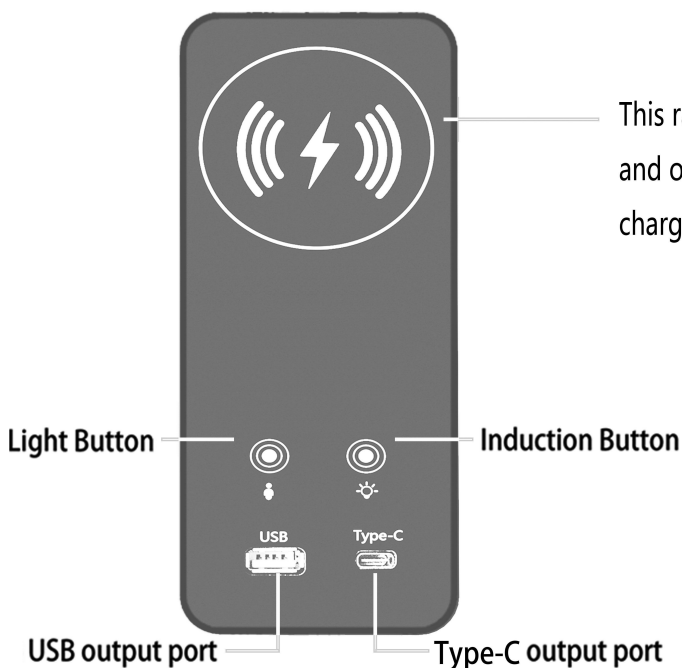
This touch button is used to turn on/off, change colors, and adjust brightness.

- A. Short touch -> lighting on -> short touch -> change light color -> short touch -> change light color -> short touch -> lighting off.
- B. Long touch -> adjust the luminance.



This touch button is used to turn on/off the induction function.

- A. Short touch to turn on the induction function. It can auto-turn on the light when people are close to the controller in 1 meters. It can auto power off the light when the body is far away from the controller after 30 seconds.
- B. Long touch to turn off the induction function.
- C. Note: When you touch the light button to change the light modes, the induction function will automatically turn off. It is best to turn on this function after selecting the light color and adjusting the brightness you want.



This range is a wireless charging area, and only mobile phones with wireless charging function can be charged.



ATTENTION PLEASE

1. If there is no touch response suddenly, Re-plug the power to reset the touch static electricity.
2. If bubbles appear on the panel, remove the protective film.
3. If you have any questions when installing, please feel free to contact us. Thank you.