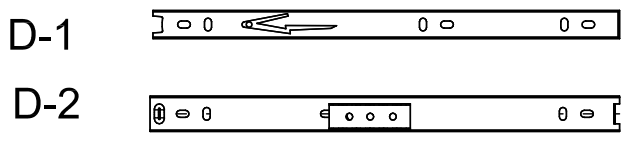
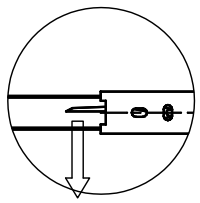
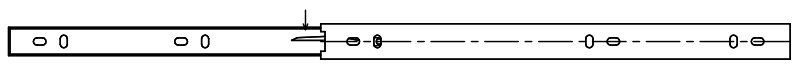
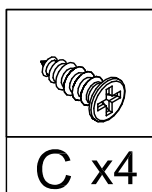
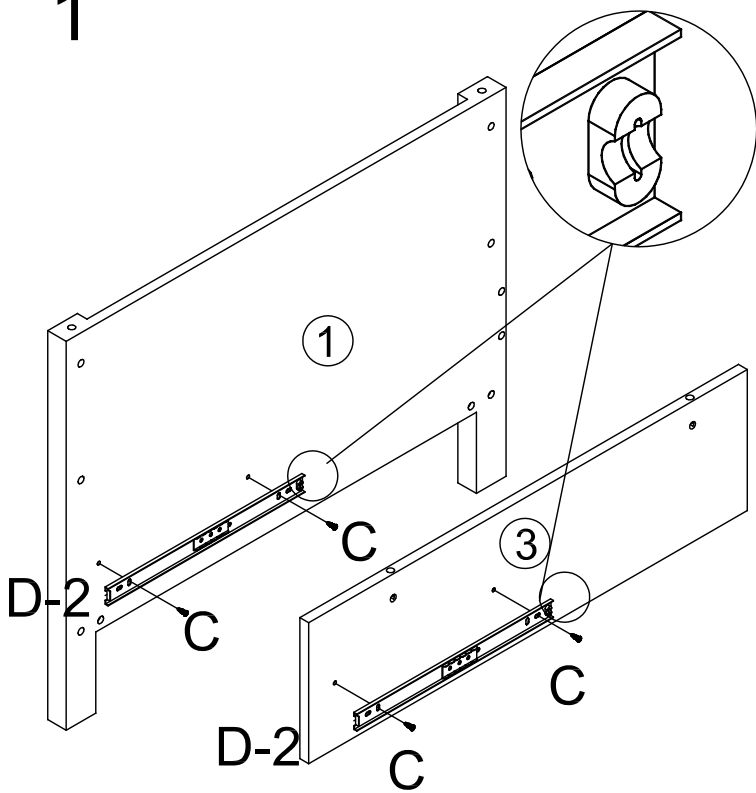


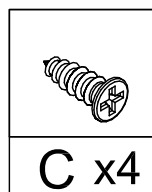
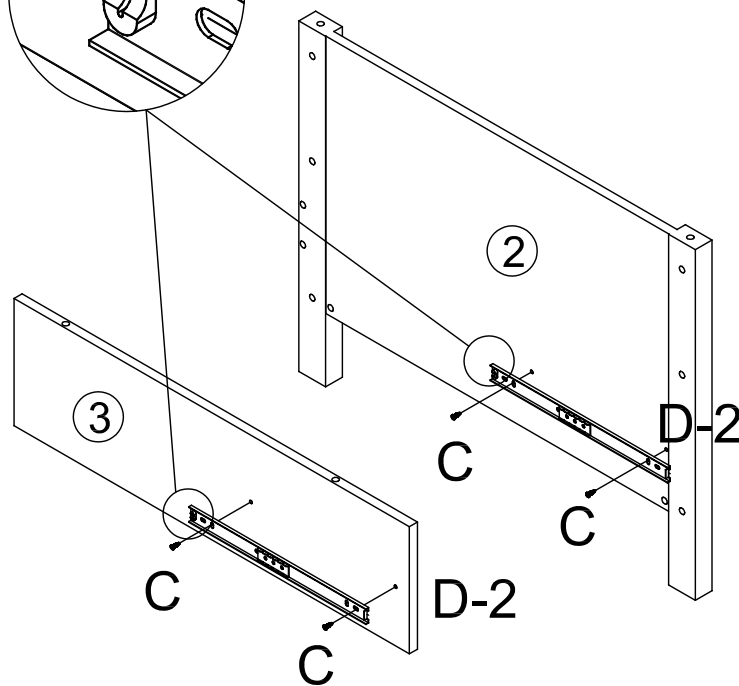
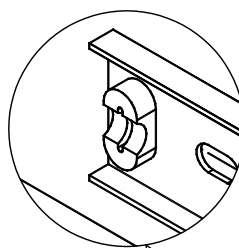
①  x1	②  x1	③  x1	④  x2	⑤  x1
⑥  x1	⑦  x1	⑧  x1	⑨  x1	⑩  x1
⑪  x2	⑫  x2	⑬  x2	⑭  x2	⑮  x2
A  M5x38 x14	B  x8	C  ST3.5X12 x16	D  x4	E  x2
F  M4X16 x4	G  x6	H  20mm x30	I  Φ12 x30	J  34mm x4
K  Φ15 x4	 x1			



1

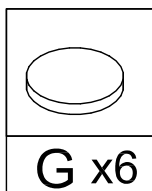
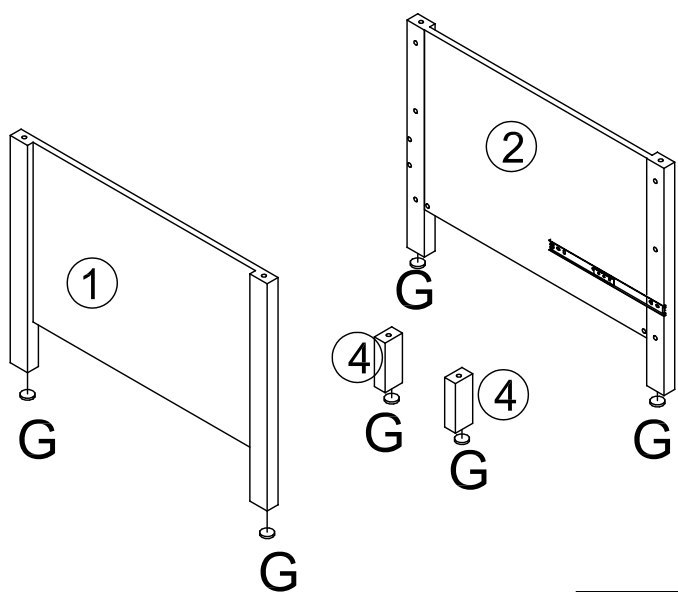


C x4



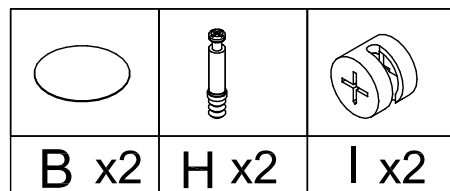
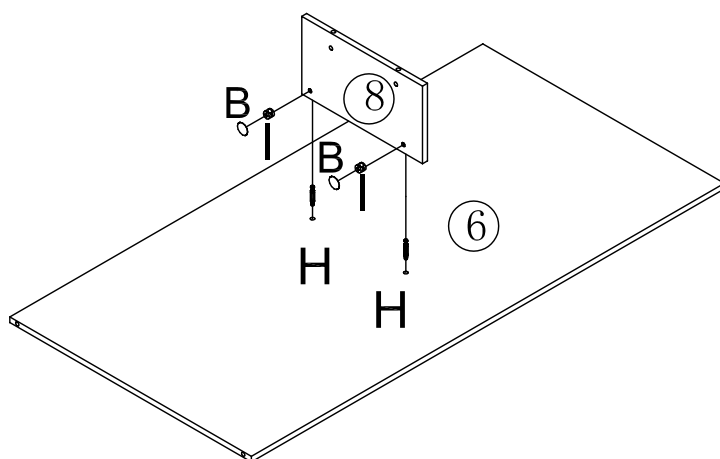
C x4

2



G x6

3

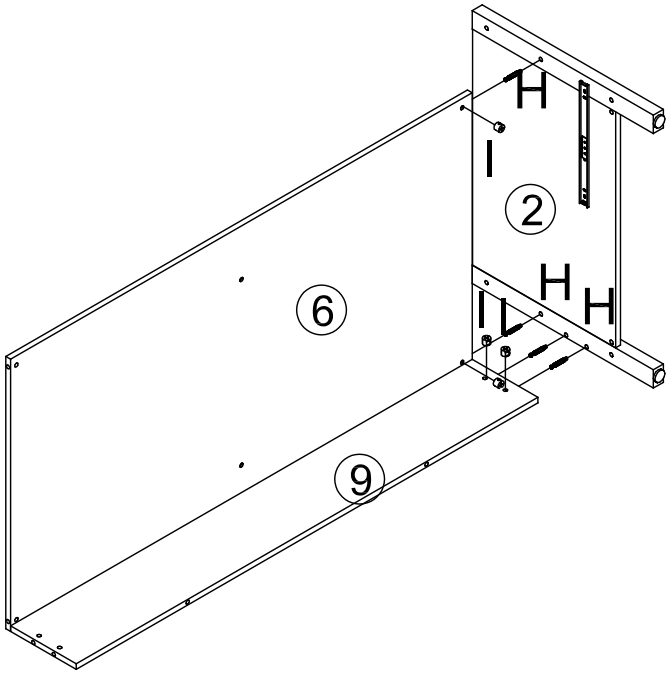



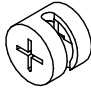
B x2

H x2

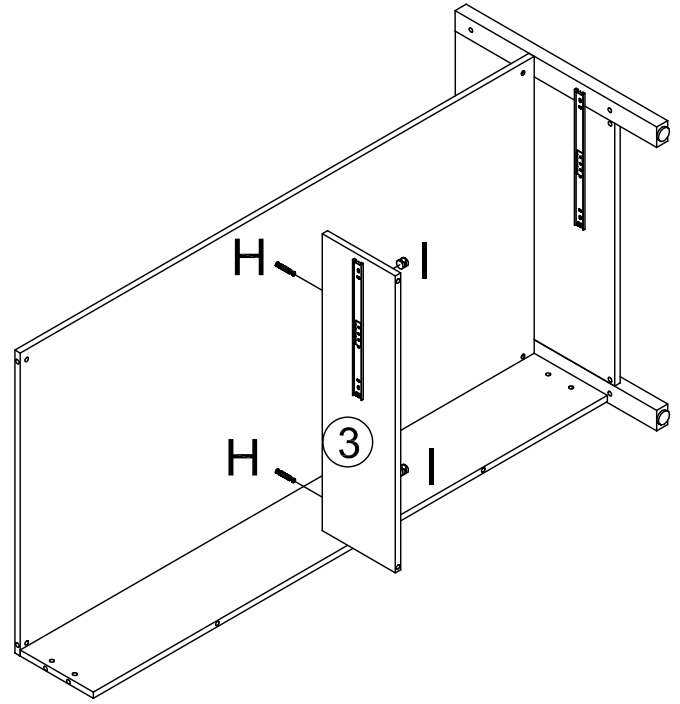
I x2


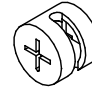
4



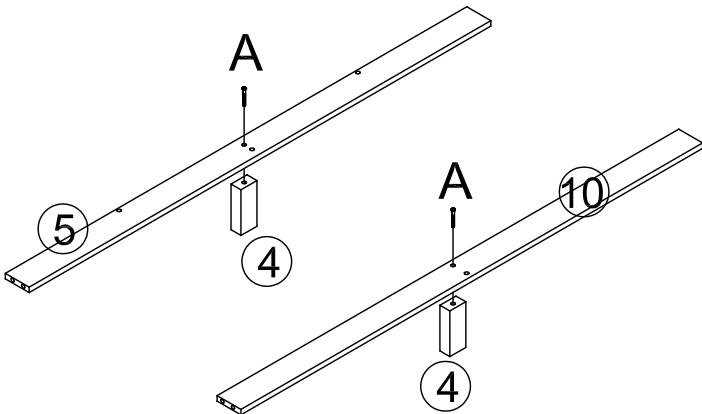
	
H x4	I x4


5



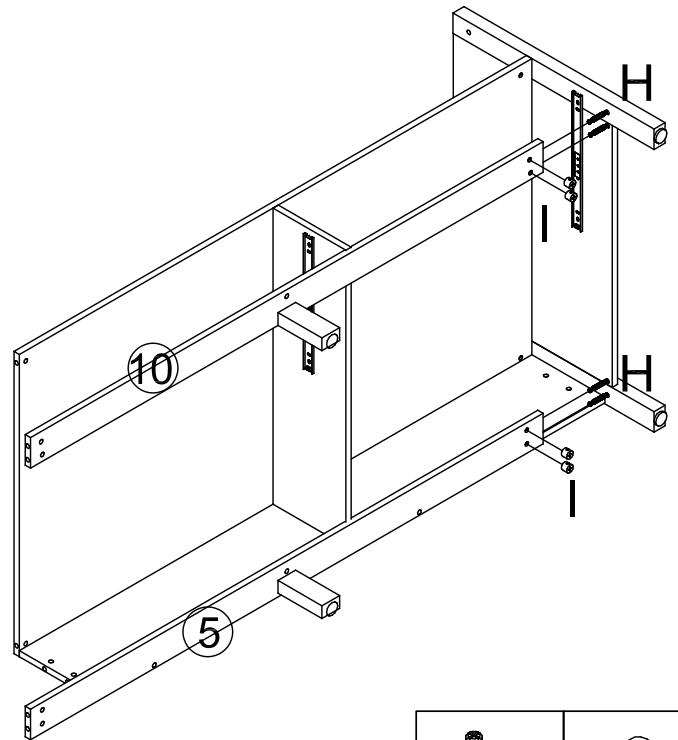
	
H x2	I x2


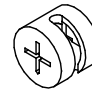
6



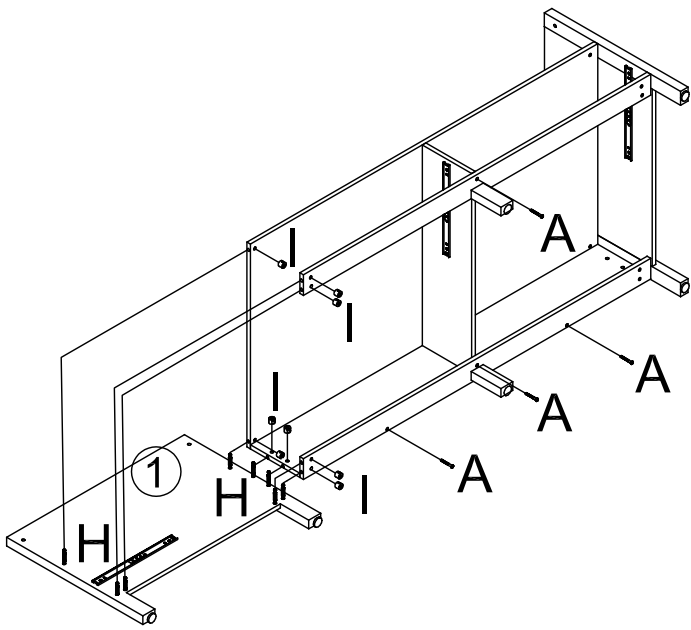

A x2


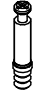
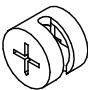
7



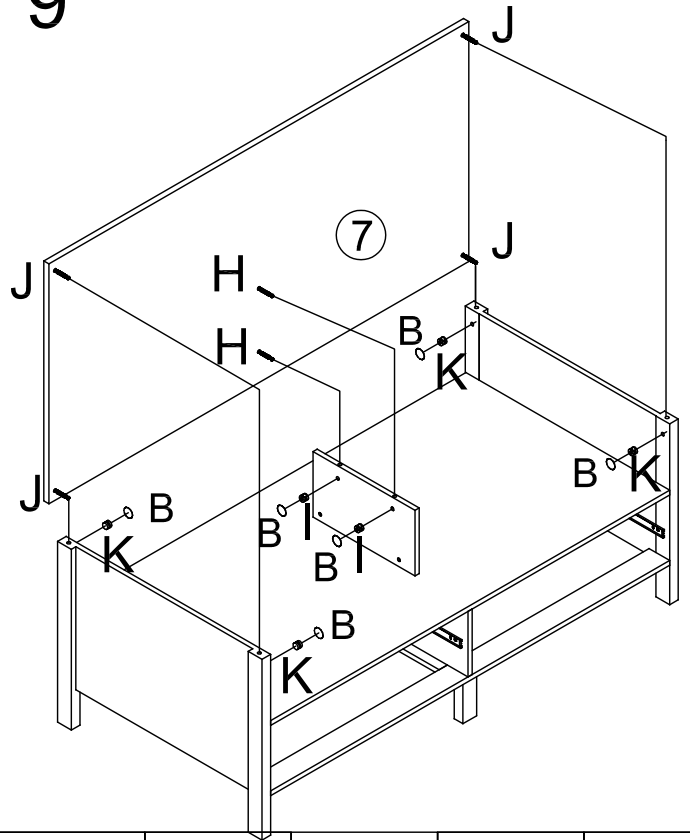
	
H x4	I x4

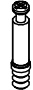
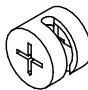

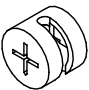

8



		
A x4	H x8	I x8

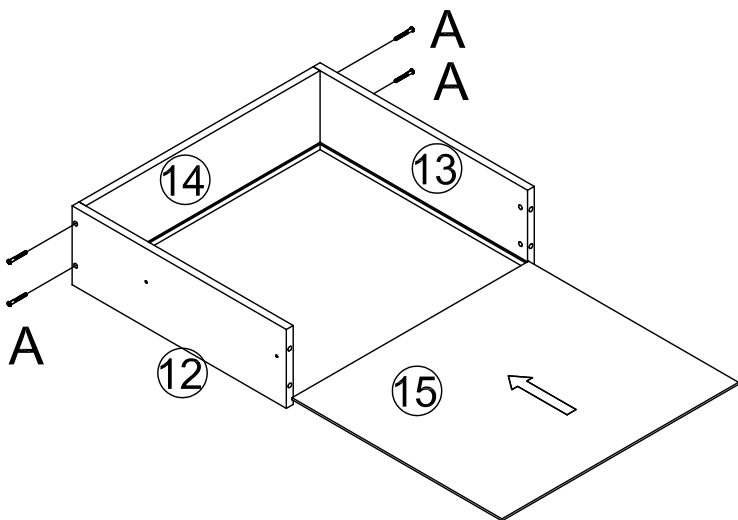
9

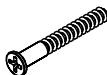


				
H x2	I x2	J x4	K x4	B x6

10

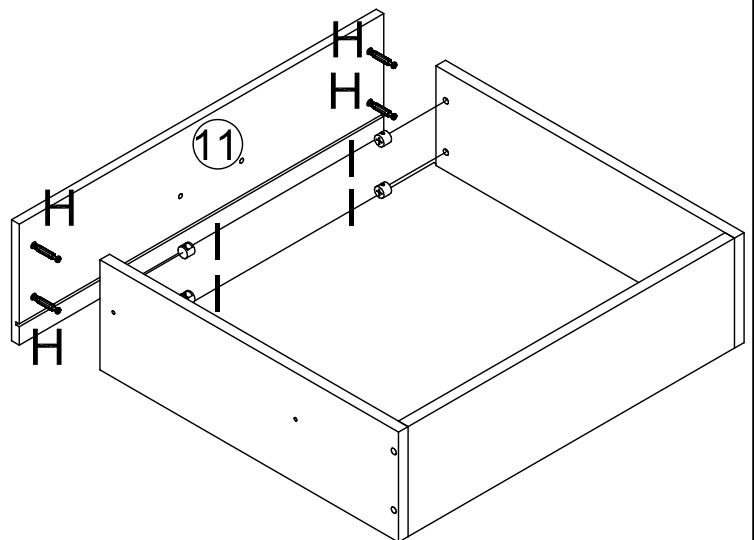
x2


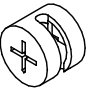



A x4

11

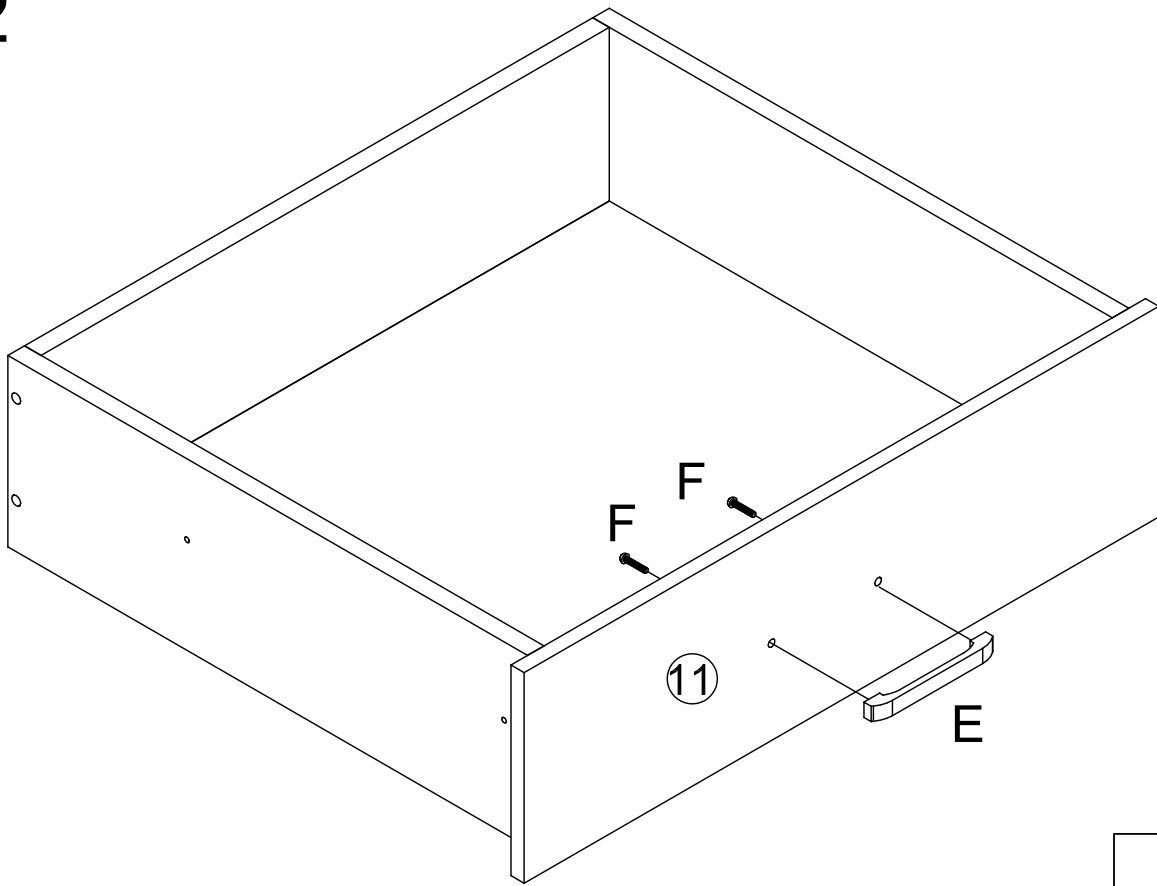
x2

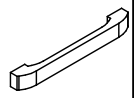



	
H x4	I x4

12

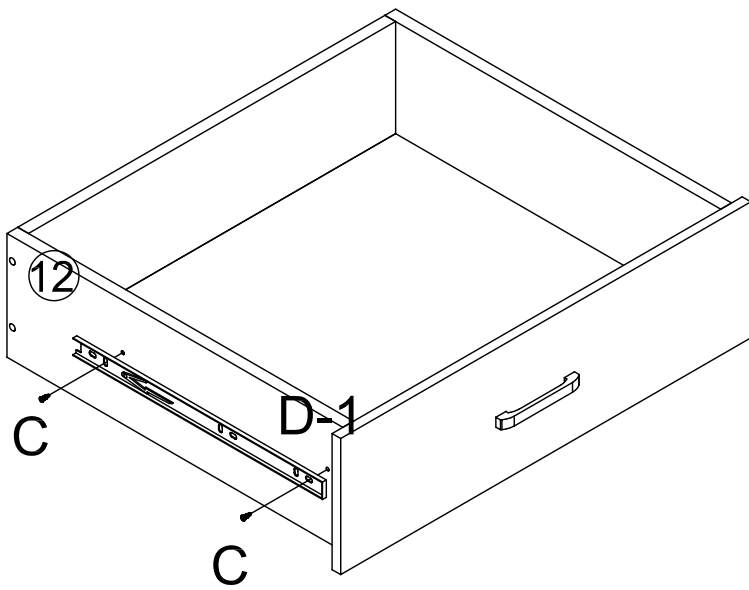
x2

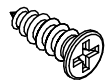


	
E x1	F x2

13

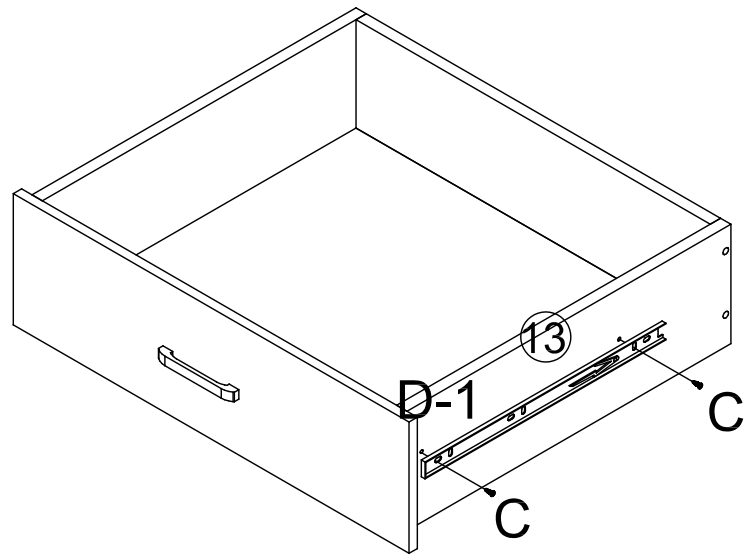
x2

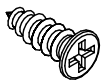



C x2

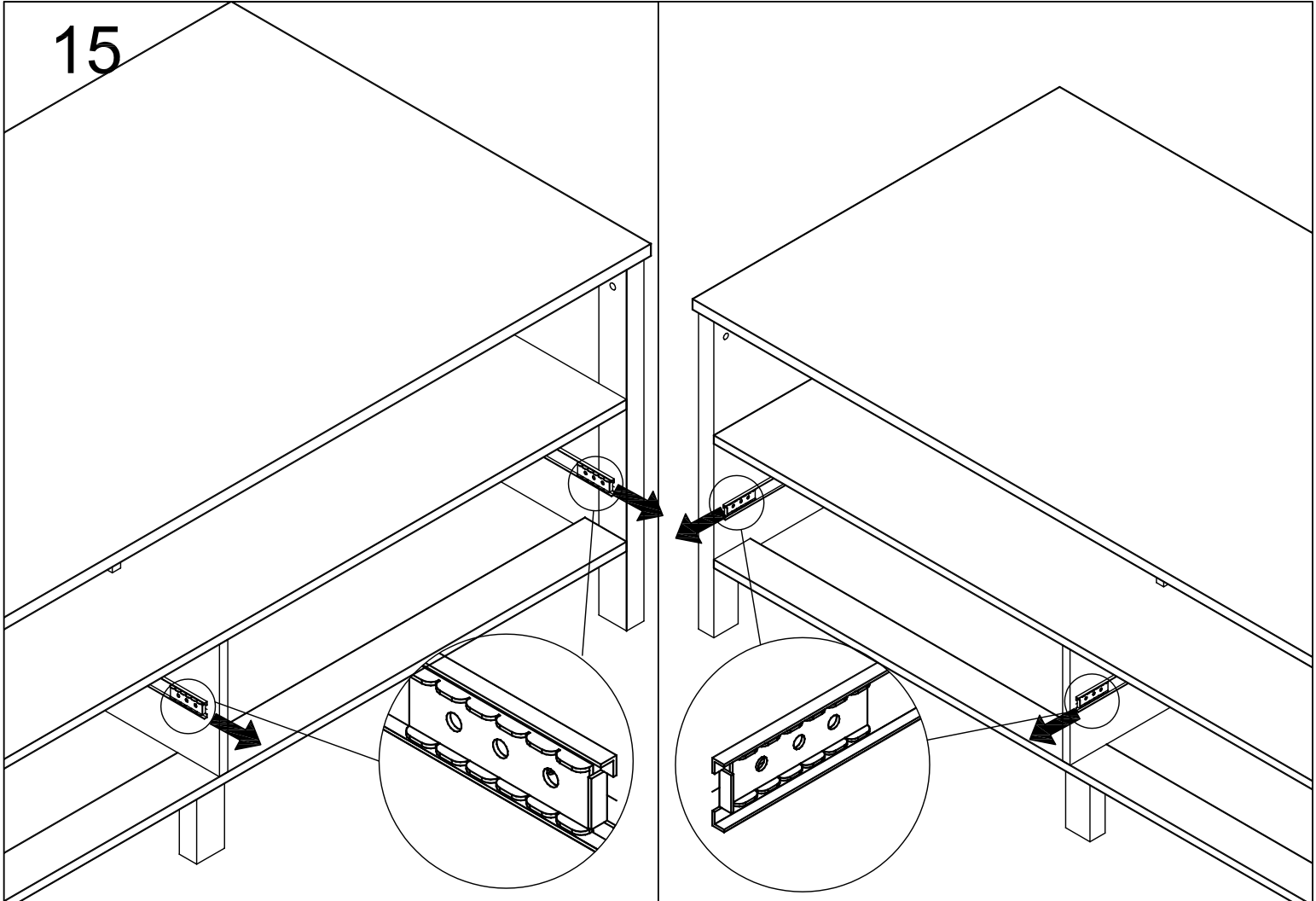
14

x2




C x2

15



16

