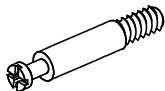

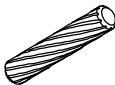

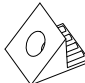

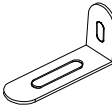

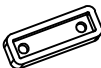


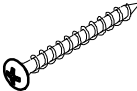

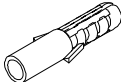
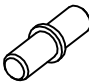
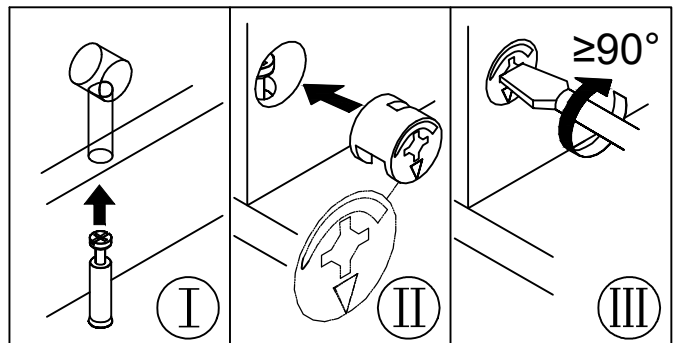
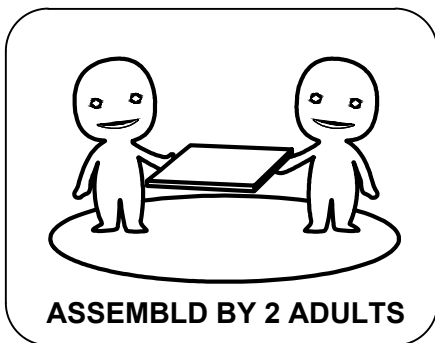
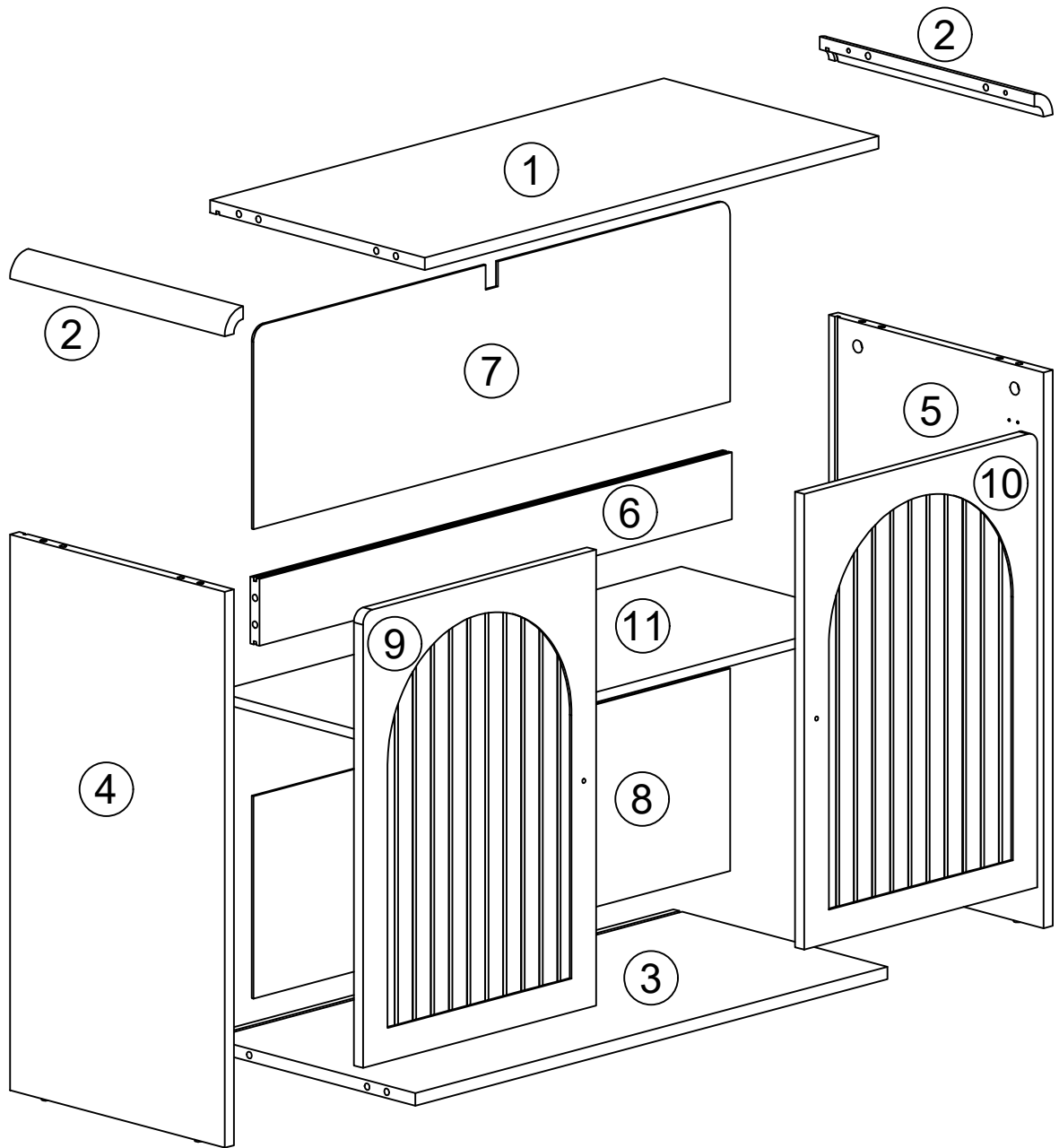
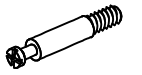


A×16PCS	B×16PCS	C×12PCS	D×33PCS	E×7PCS
 M6×35mm	 Ø15×12mm	 Ø8×30mm	 Ø3.5×14mm	
F×4PCS	G×1PC	H×1PC	I×1PC	J×2PCS
		 Ø4×14mm		
K×2PCS	L×1PC	M×4PCS	N×1PC	O×4PCS
 M4×18mm	 Ø4×35mm		 Ø6×30mm	 Ø5×19mm

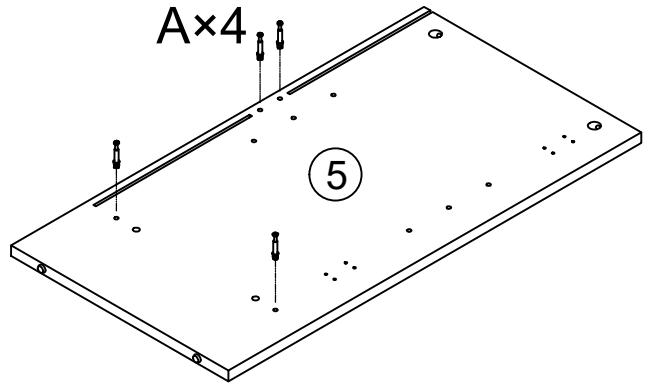
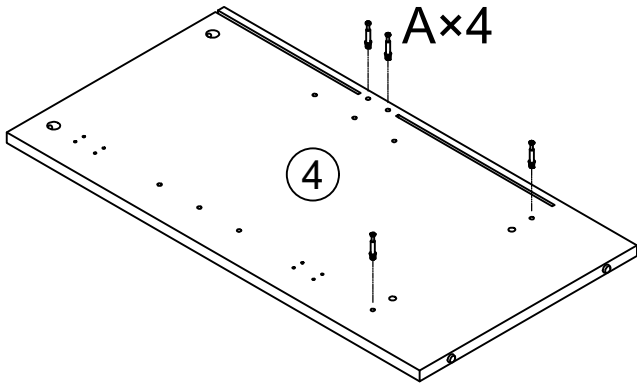


1.

A×8PCS



M6×35mm



2.

B×4PCS

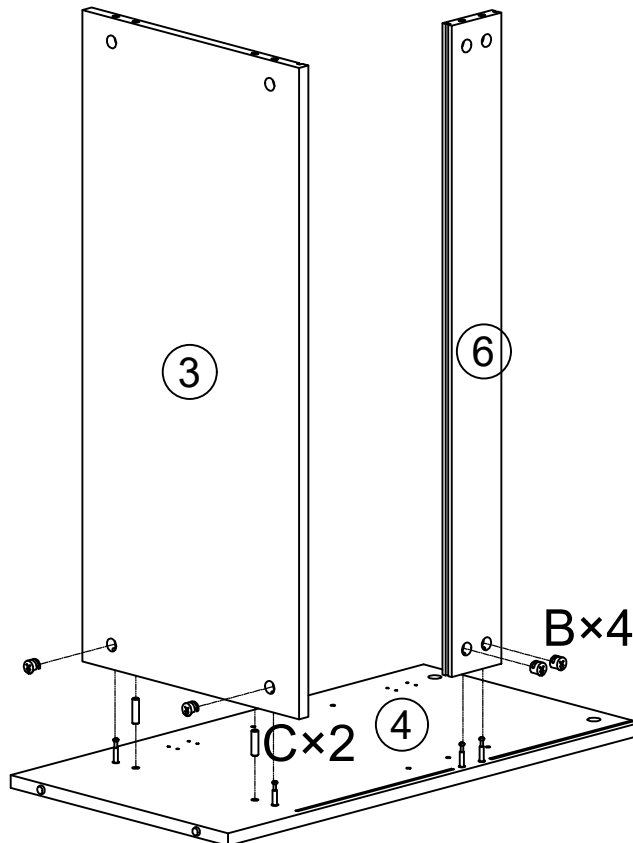


Ø15×12mm

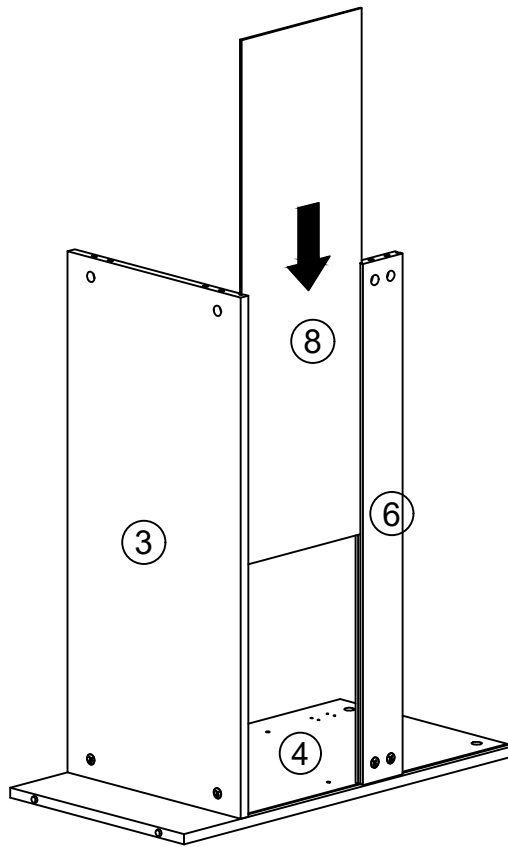
C×2PCS





Ø8×30mm

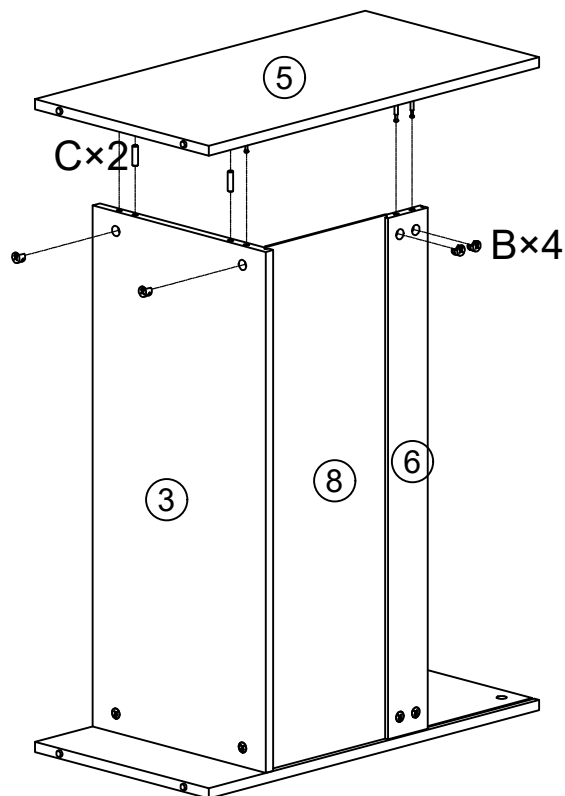


3.

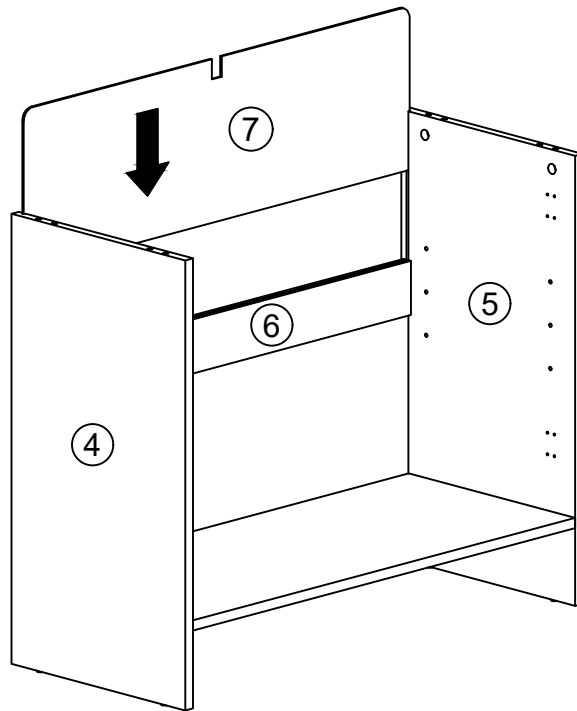


B×4PCS	C×2PCS
 Ø15×12mm	 Ø8×30mm





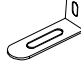


4.

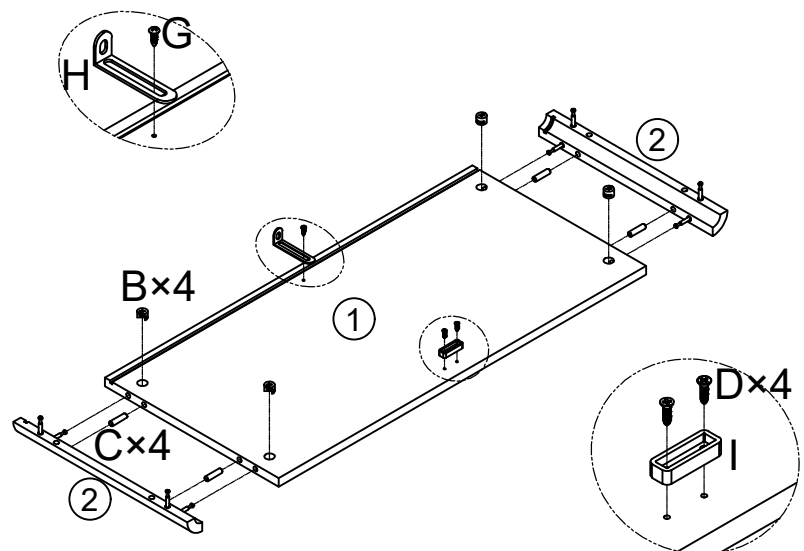
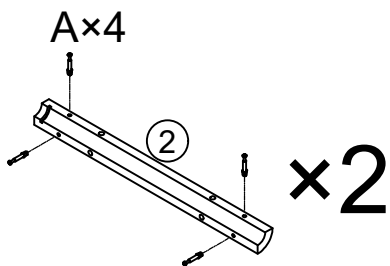





5.



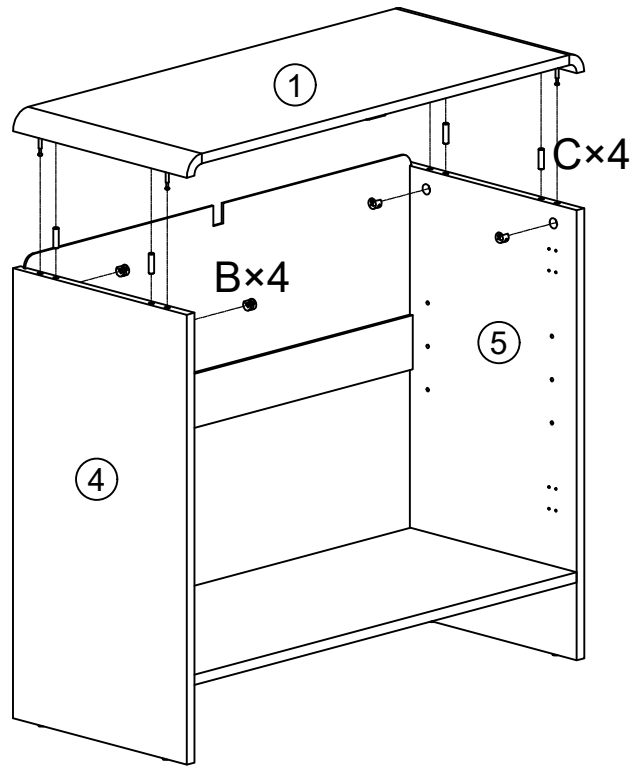
6.


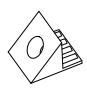
A×8PCS	B×4PCS	C×4PCS	D×2PCS
 M6×35mm	 Ø15×12mm	 Ø8×30mm	 Ø3.5×14mm
	G×1PC	H×1PC	I×1PC
		 Ø4×14mm	



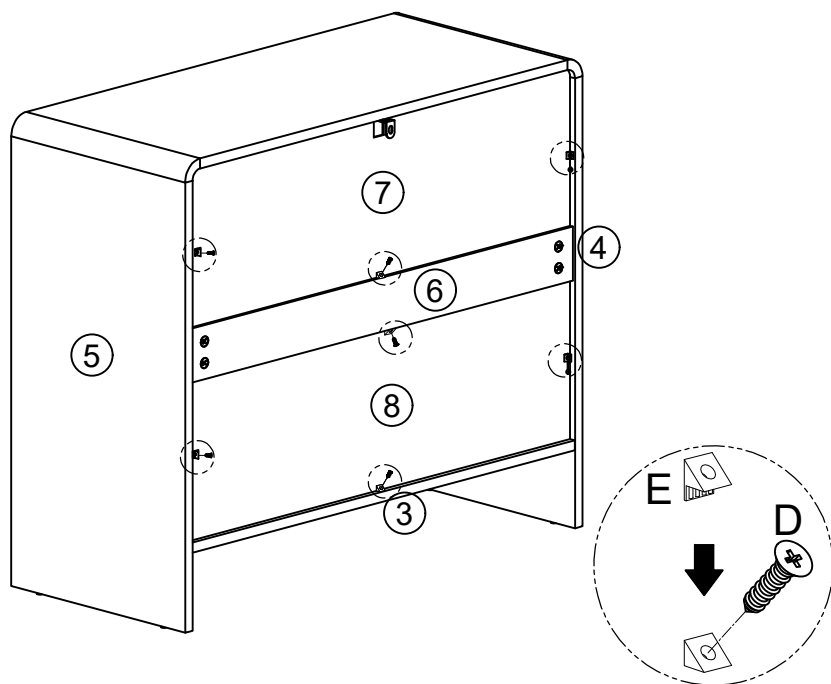
B×4PCS  Ø15×12mm	C×4PCS  Ø8×30mm	F×4PCS 
---	--	---

7.



D×7PCS  Ø3.5×14mm	E×7PCS 
--	---

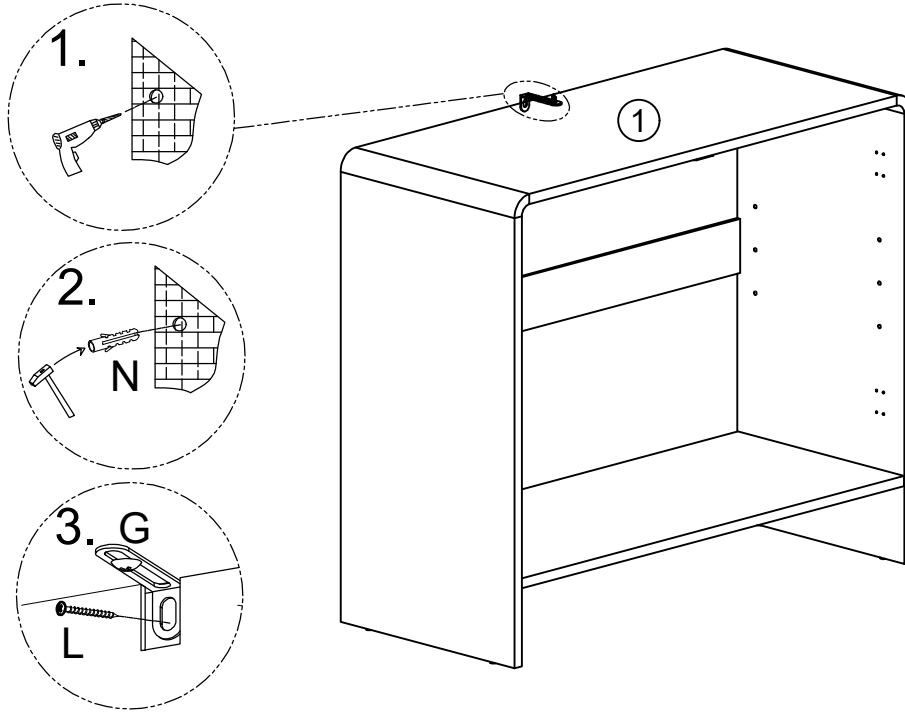
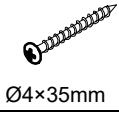
8.



9.

L×1PC

N×1PC



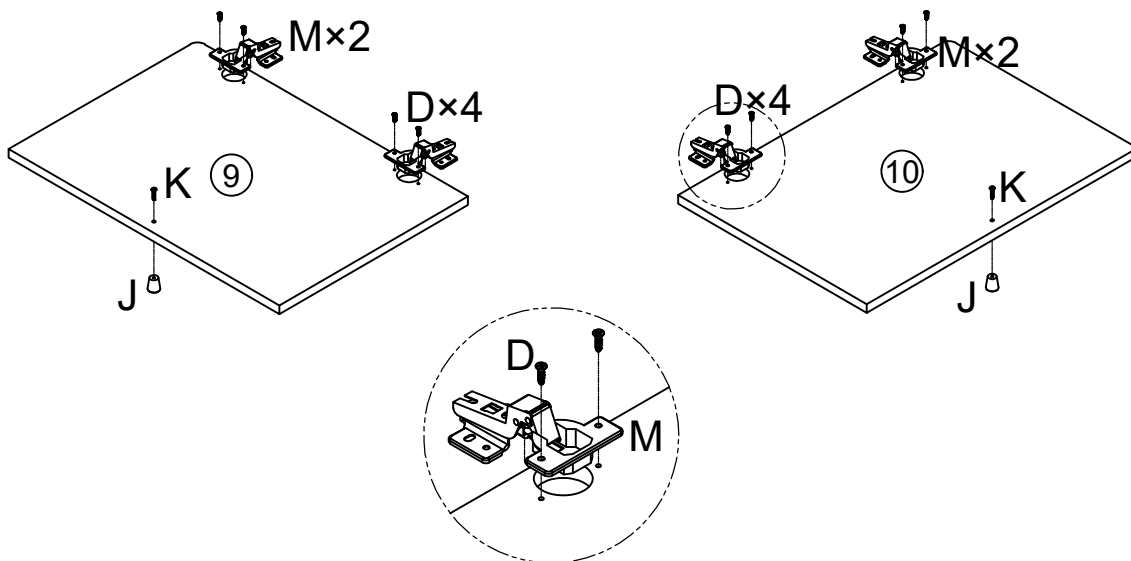
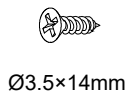
10.

D×8PCS

J×2PCS

K×2PCS

M×4PCS

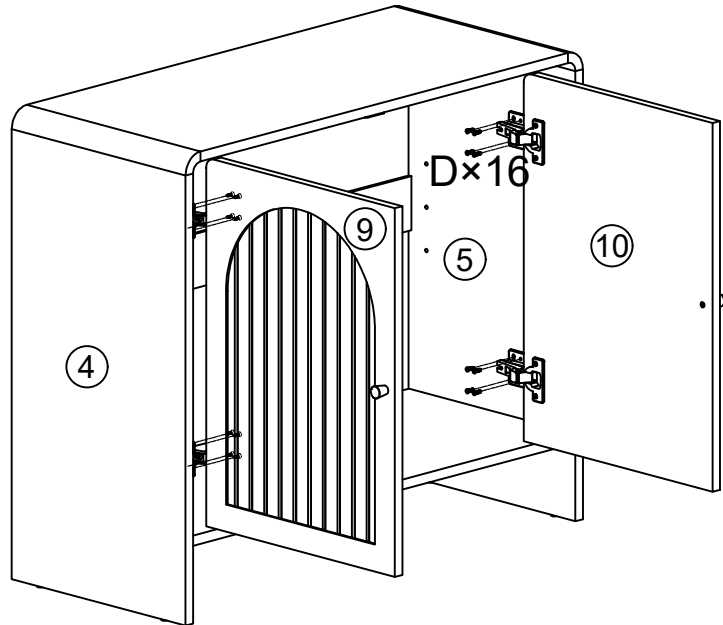
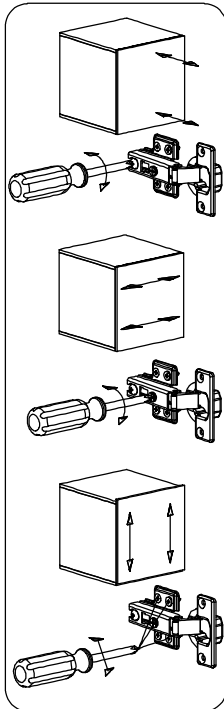


D×16PCS



Ø3.5×14mm

11.



O×4PCS



Ø5×19mm

12.

