



Assembly Instruction

Furinno Turn - N - Tube 5 - Tier Toolless
Kitchen Storage Shelf

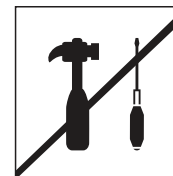
MODEL : 21025



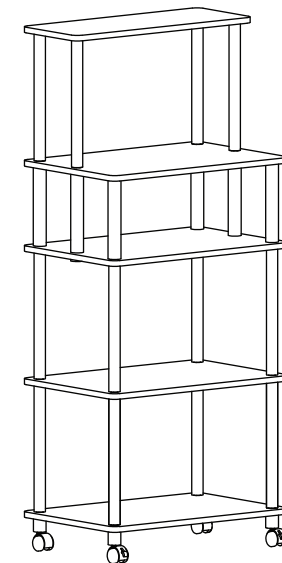
Approx. 20 minutes



Recomm. 1 Person



No Tools Required



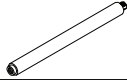
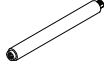




Customer Support

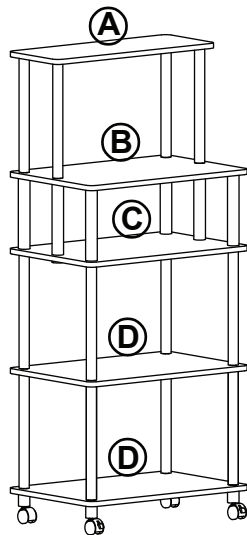
NEED HELP? For replacement requests or product inquiries, please contact our Customer Service Team by emailing us at support@furinno.com. Thank you for selecting Furinno!

www.furinno.com



HARDWARE AND PART LIST

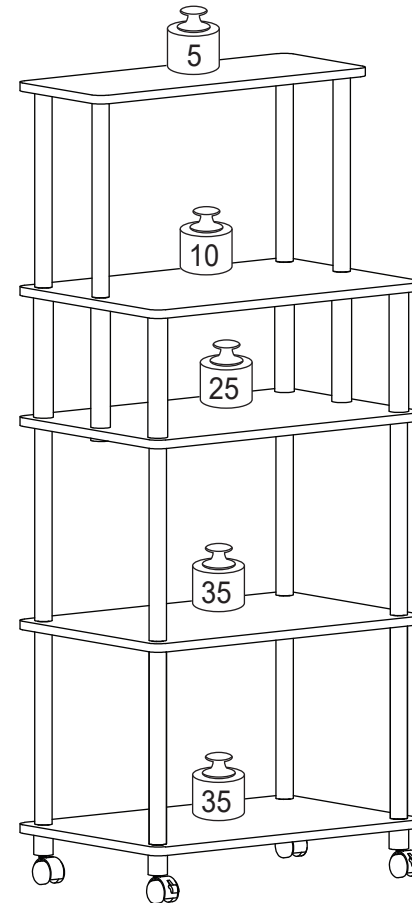
NO	HARDWARE LIST	QTY	NO	PART LIST	QTY
1	LONG ROUND POLE 	12 PCS	A	TOP PANEL	1 PC
2	MEDIUM ROUND POLE 	6 PCS	B	2ND SHELF PANEL	1 PC
3	PVC ROUND RING 	4 PCS	C	3RD SHELF PANEL	1 PC
4	MINI ROUND LEG 	2 PCS	D	4TH / BOTTOM PANEL	2PCS
5	ROUND LEG + CASTER WITH LOCK 	2 SETS			
6	ROUND LEG + CASTER 	2 SETS			



USEFUL HINTS BEFORE YOU START:

1. Read each step carefully before starting.
2. It is important that each step is performed in correct order to avoid difficulties.
3. Identify, sort and count the parts before assembly.
4. Assemble your furniture on packaging cardboard to prevent scratch or damage.
5. Clean the product with mild cleanser using soft damped cloth. Do not use harsh or abrasive cleanser.
6. Using incompatible hardware might cause damage to product.

Recommended Maximum Weight



*Unit in Pound(lbs)

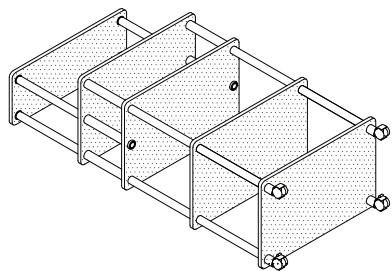
WARNING:

>This unit has been designed to support the maximum loads shown. Exceeding these load limits could cause sagging, instability, product collapse, and/or serious injury.

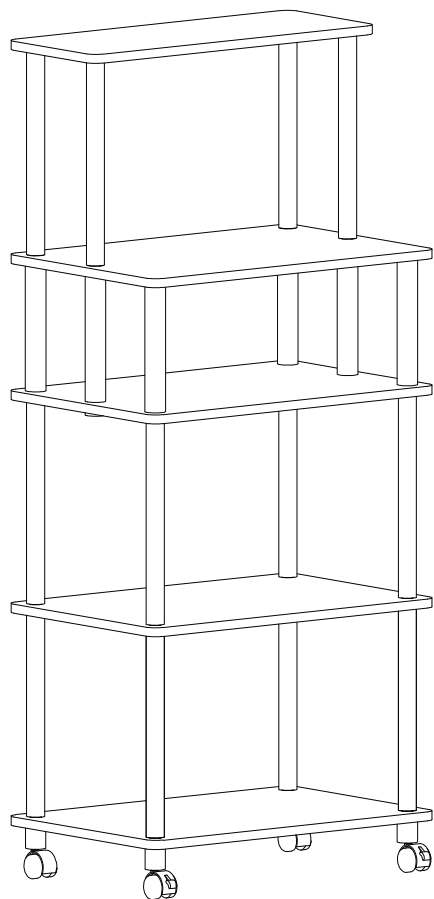
>DO NOT allow children to climb on unit.

>Put heavier items on lower shelves.

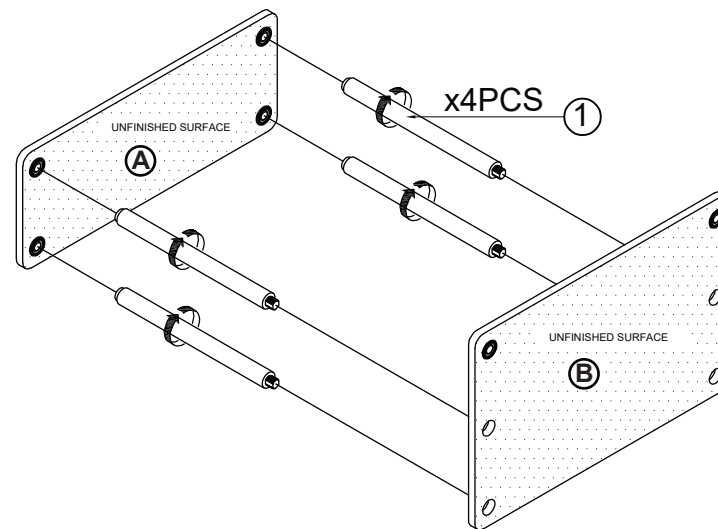
STEP 7



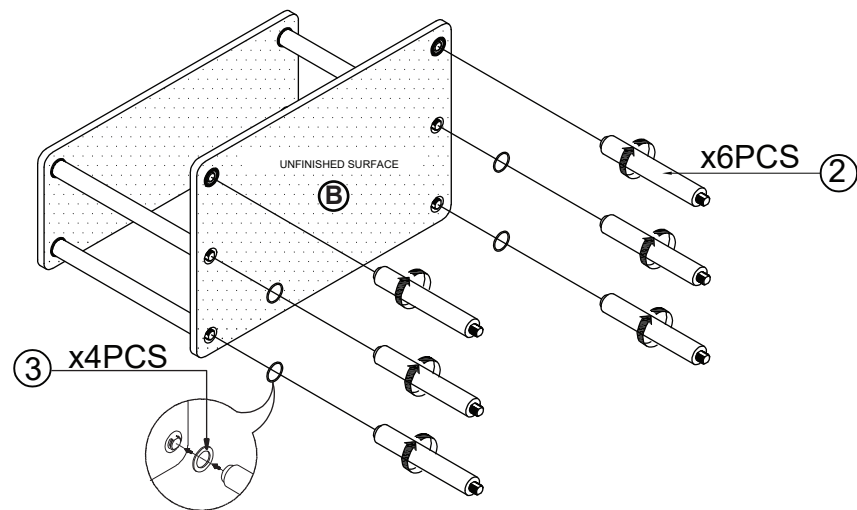
TURN 90°



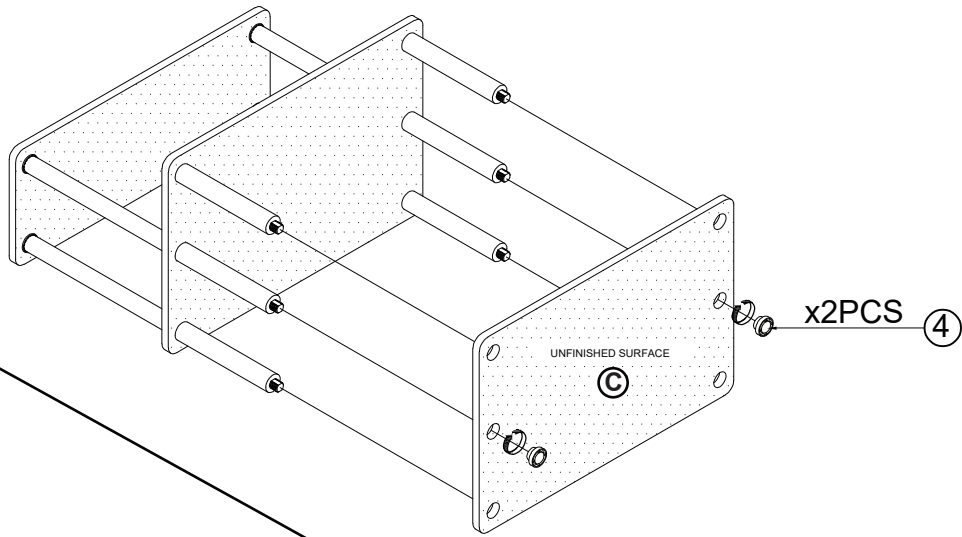
STEP 1



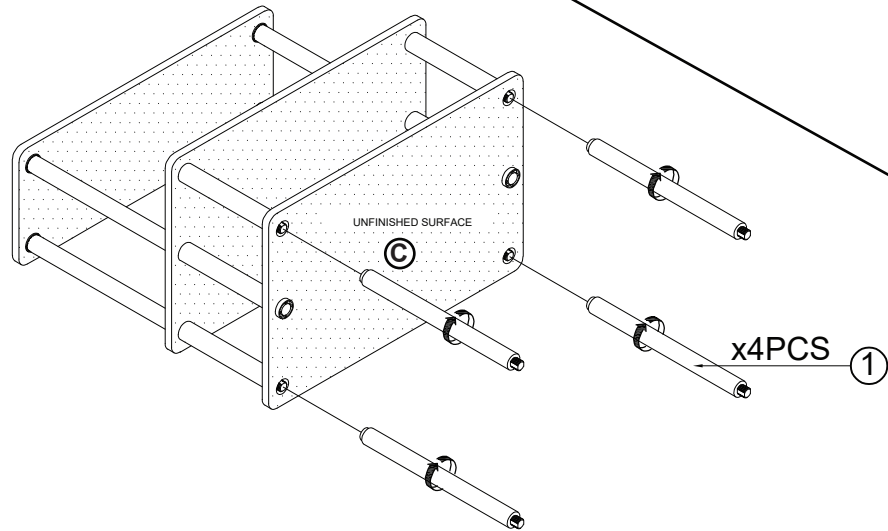
STEP 2



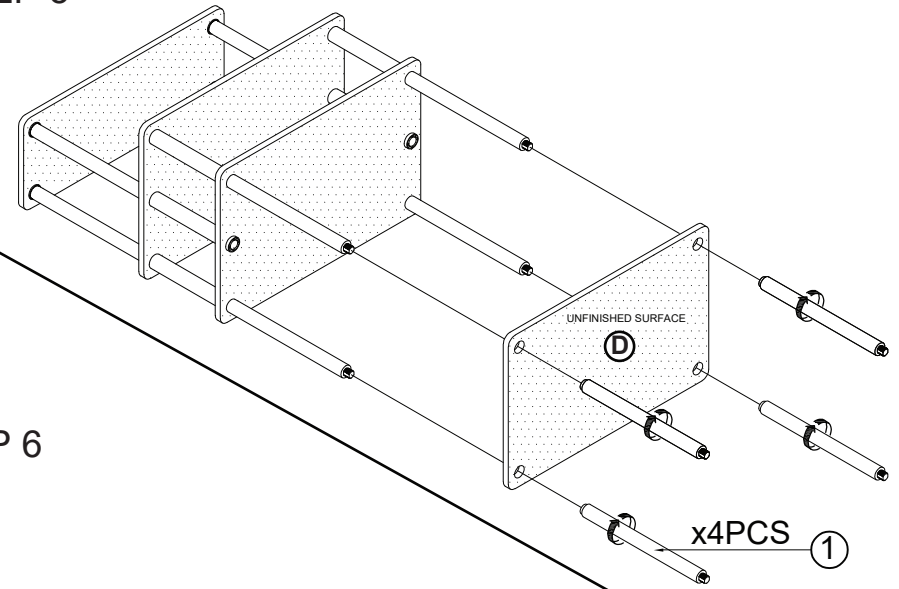
STEP 3



STEP 4



STEP 5



STEP 6

