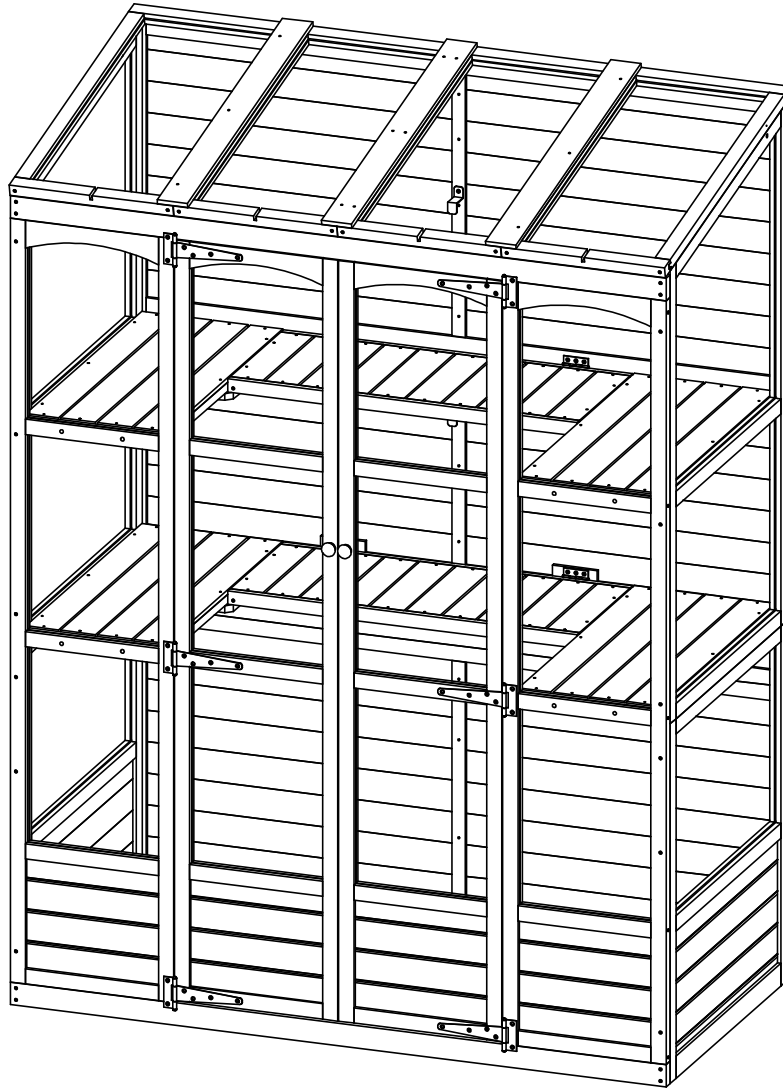


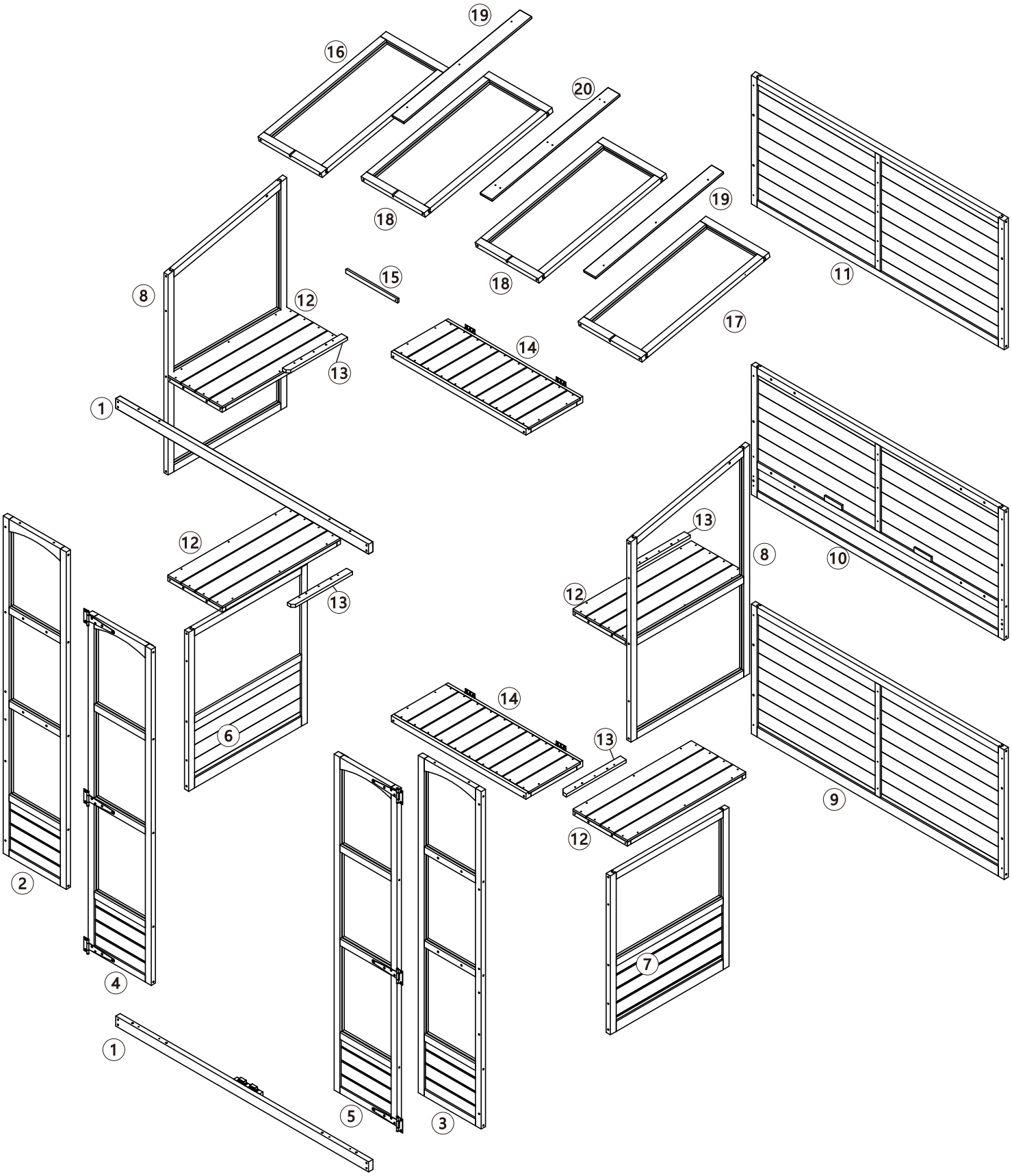
# ASSEMBLY INSTRUCTIONS

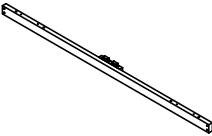




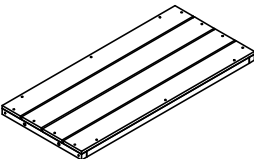
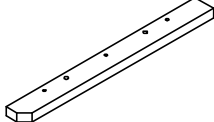
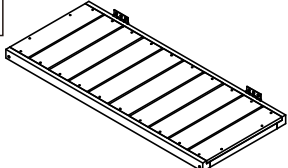
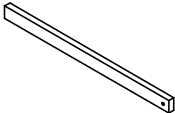
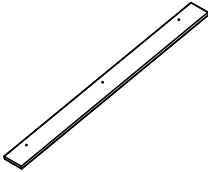
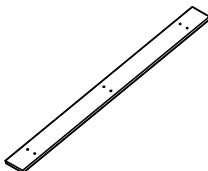


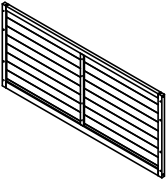
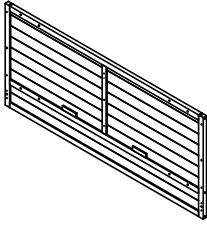
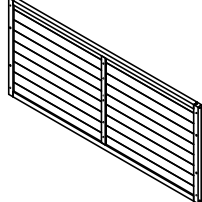
## IMPORTANT NOTE :

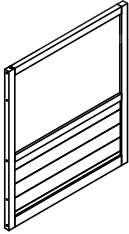
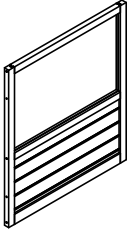
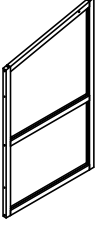
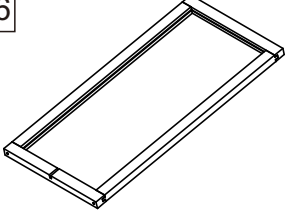
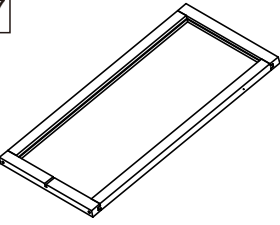
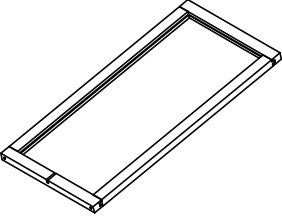

- ① PLACE ALL PARTS ON A CLEAN AND SMOOTH SURFACE SUCH AS A RUG OR CARPET TO AVOID THE PARTS FROM BEING SCRATCHED.
- ② BEFORE YOU BEGIN, KINDLY FOLLOW THE ASSEMBLY INSTRUCTIONS STEP BY STEP.
- ③ DO NOT TIGHTEN ALL SCREWS AND BOLTS UNTIL THIS ITEM IS FULLY SET-UP.

# Detail View













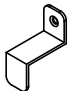
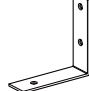

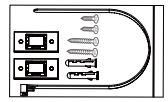


1 	2 	3 	4 
Upper and lower slat of front frame 2pcs	Left front frame 1pc	Right front frame 1pc	Left door 1pc
5 	12 	13 	14 
Right door 1pc	Shelf ① 4pcs	Support part of shelf 4pcs	Shelf ② 2pcs
15 	19 	20 	
Wood strut 1pc	Wood board of top part ① 2pcs	Wood board of top part ② 1pc	


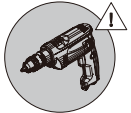
9 	10 	11 
Lower part of back panel 1pc	Middle part of back panel 1pc	Upper part of back panel 1pc

6 	7 	8 	16 
Lower part of left panel 1pc	Lower part of right panel 1pc	Upper part of side panel 2pcs	Roof ① 1pc
17 	18 		
Roof ② 1pc	Roof ③ 2pcs	Hardware kit	

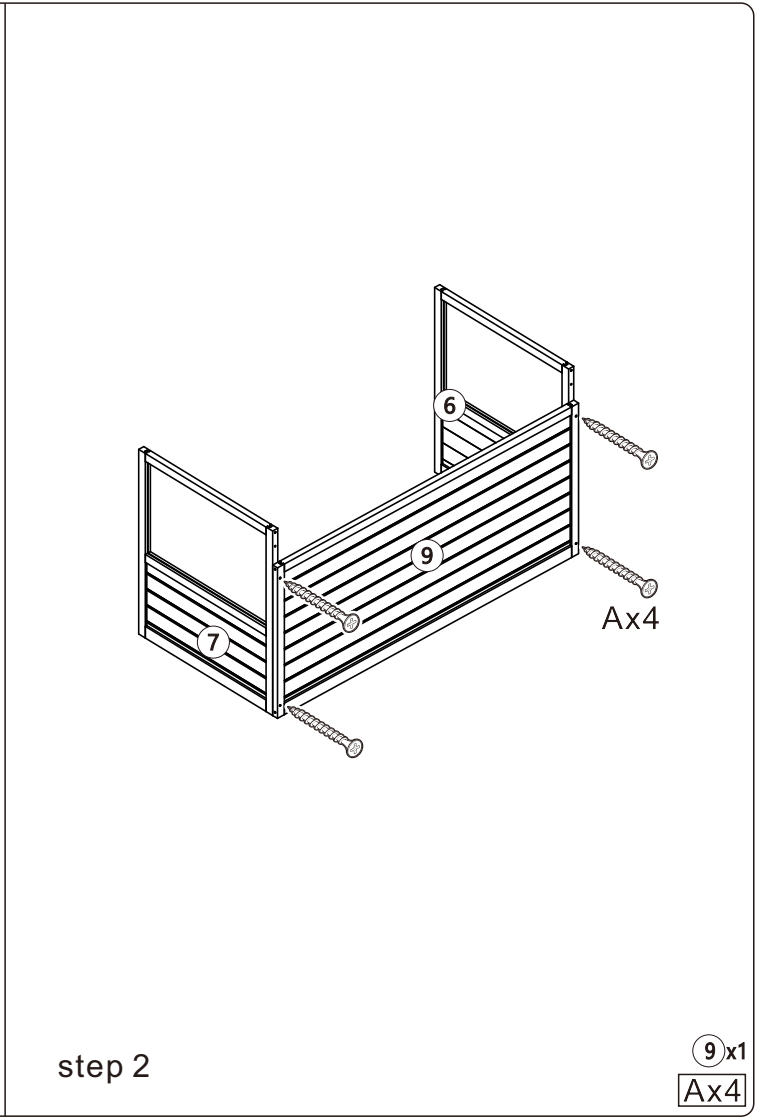
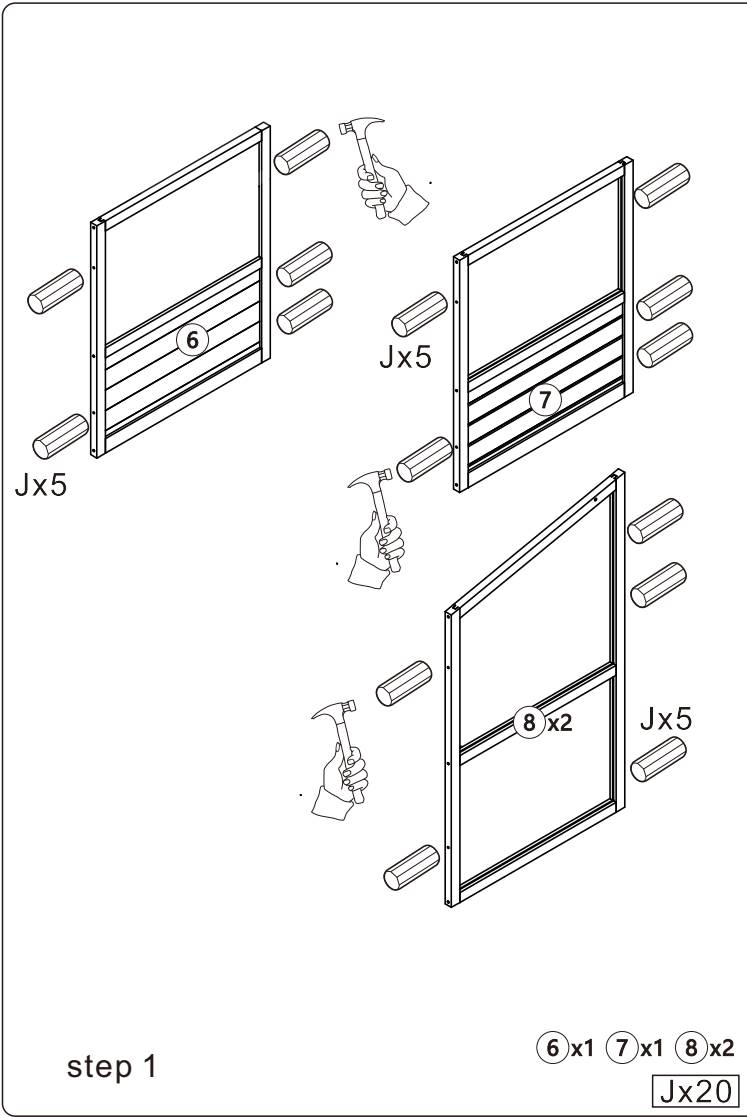
Hardware List

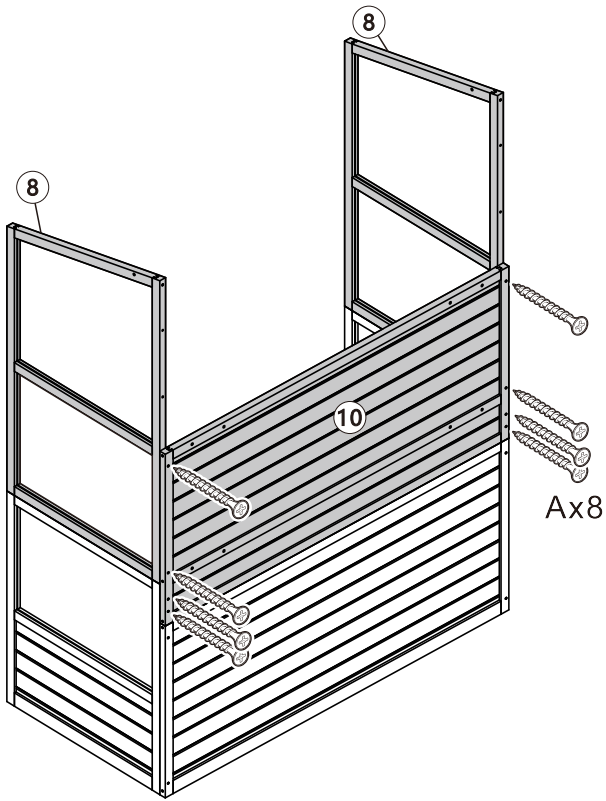
<p>A</p>  <p>3.5*45</p> <p>Ph zinc screws-36+1pcs</p>	<p>B</p>  <p>3.5*60</p> <p>Ph zinc screws-8+1pcs</p>	<p>C</p>  <p>3.0*35</p> <p>Ph zinc screws-12+1pcs</p>	<p>D</p>  <p>3.0*25</p> <p>Ph zinc screws-13+1pcs</p>
<p>E</p>  <p>3.0*16</p> <p>Black screws-40+1pcs</p>	<p>F</p>  <p>3.5*16</p> <p>Black screws-12+1pcs</p>	<p>G</p>  <p>M4*30</p> <p>Ph zinc bolt-2+1pcs</p>	<p>H</p>  <p>M6*55</p> <p>Ph zinc bolt-16+1pcs</p>
<p>I</p>  <p>Door knob-2pcs</p>	<p>J</p>  <p>Dowel-36pcs</p>	<p>K</p>  <p>Metal struct-2pcs</p>	<p>L</p>  <p>M6*40</p> <p>Ph zinc bolt -2pcs</p>
<p>M</p>  <p>2 fold angle steels 2pcs</p>	<p>N</p>  <p>Angle steel 4pcs</p>	<p>O</p>  <p>Ground nail 4pcs</p>	 <p>Anti-topple over sets-2pcs</p>

ASSEMBLY TOOLS REQUIRED( NOT INCLUDED)

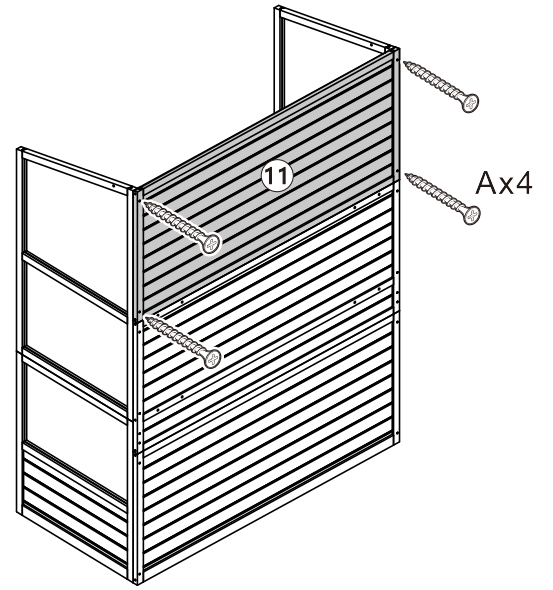
PLEASE BE CAREFUL DO NOT DAMAGE THE HOLE POSITION WHEN YOU USE POWERTOOLS !





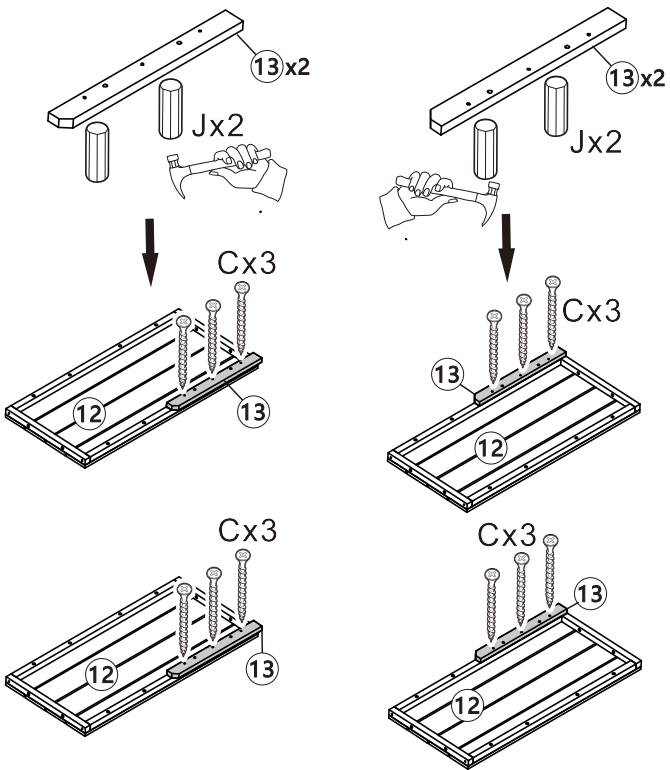
step 3

10x1  
Ax8



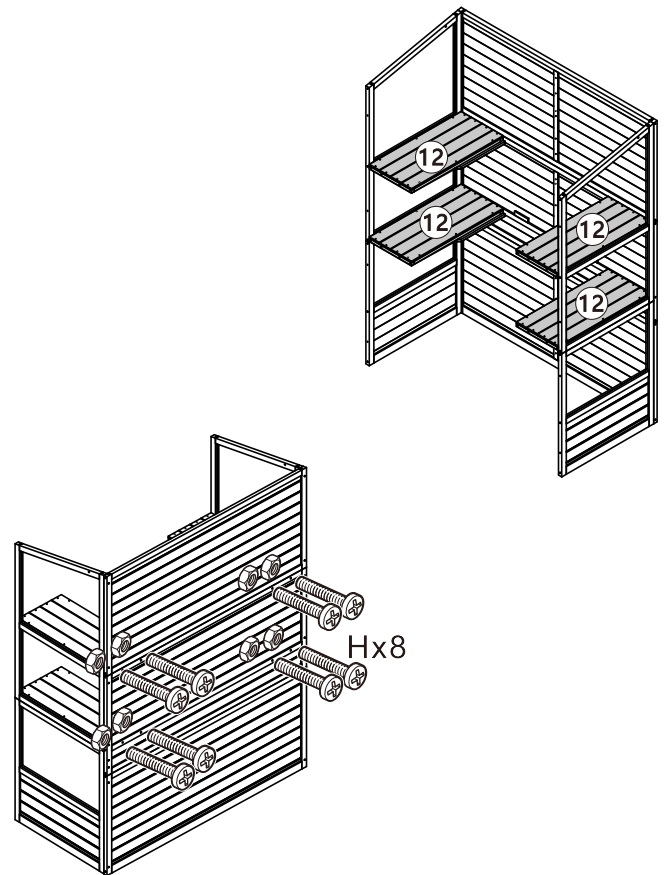
step 4

11x1  
Ax4



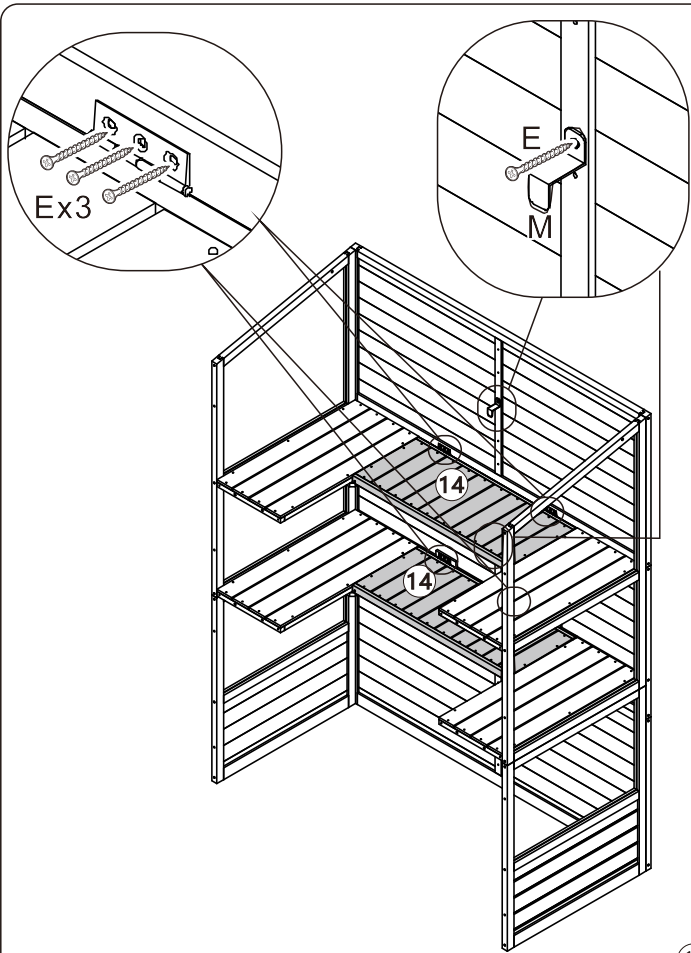
step 5

12x4 13x4  
Jx8 Cx12



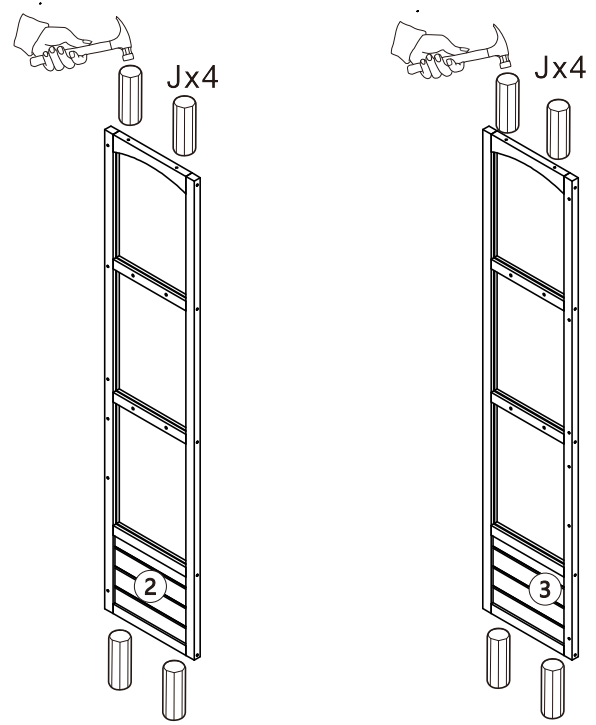
step 6

Hx8



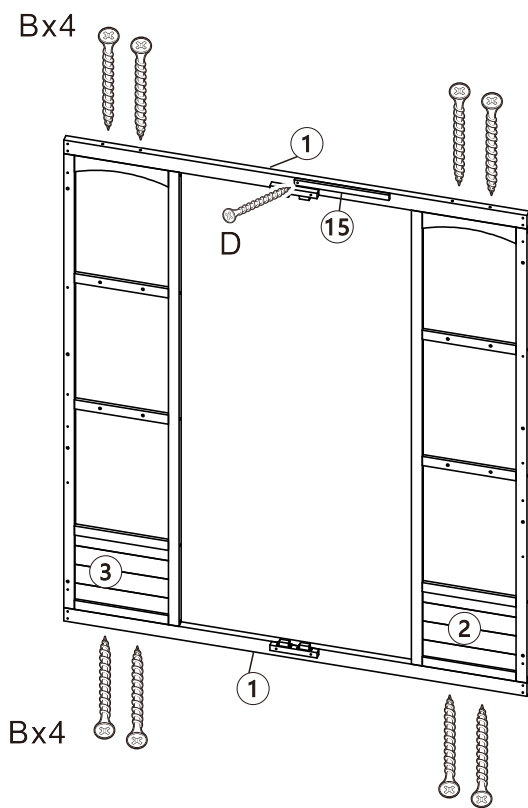
step 7

14x2  
Ex14 Mx2



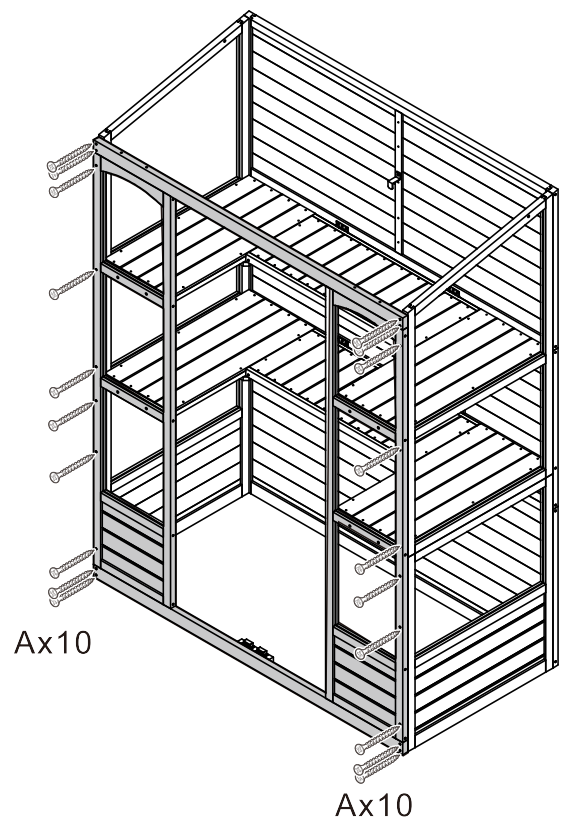
step 8

2x1 3x1  
Jx8



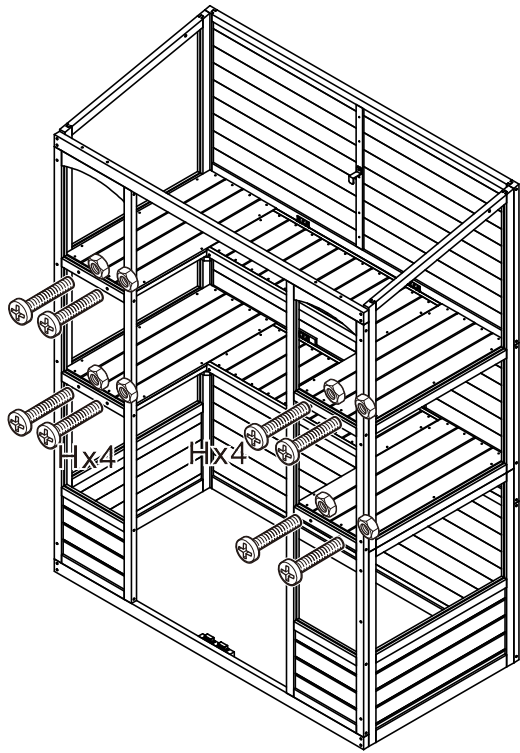
step 9

1x2 15x1  
Bx8 Dx1



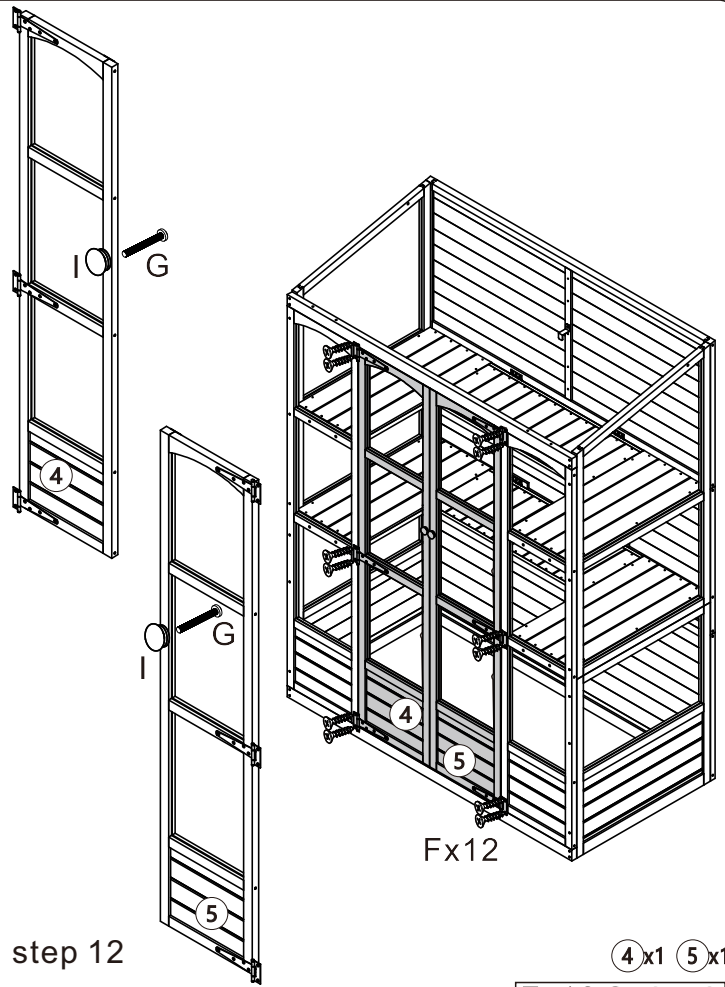
step 10

Ax20



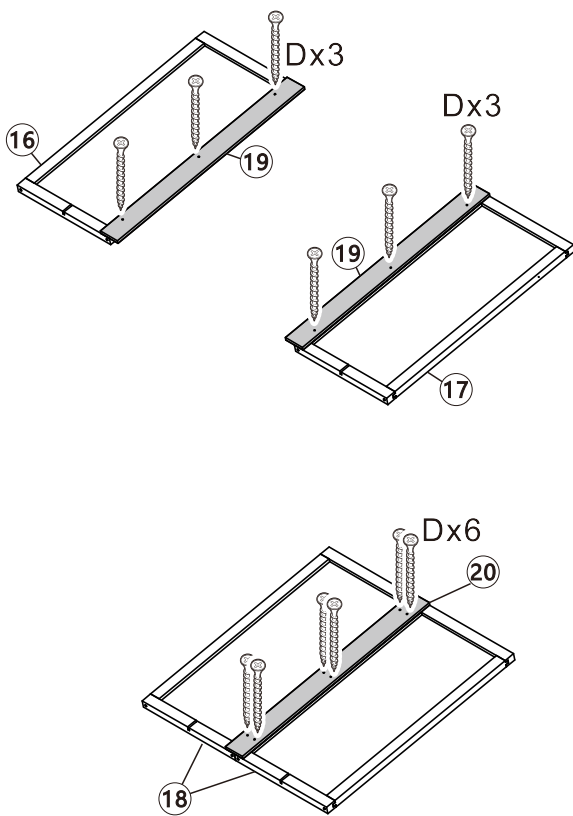
step 11

Hx8



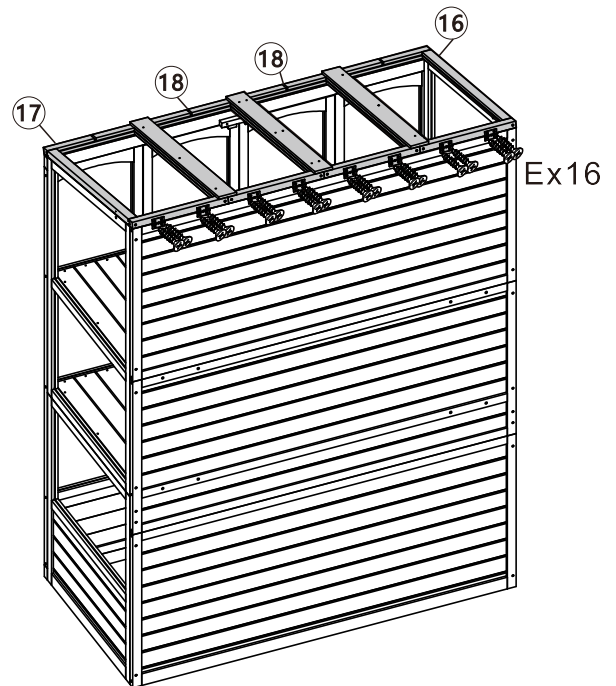
step 12

4x1 5x1  
Fx12 Gx2 Ix2



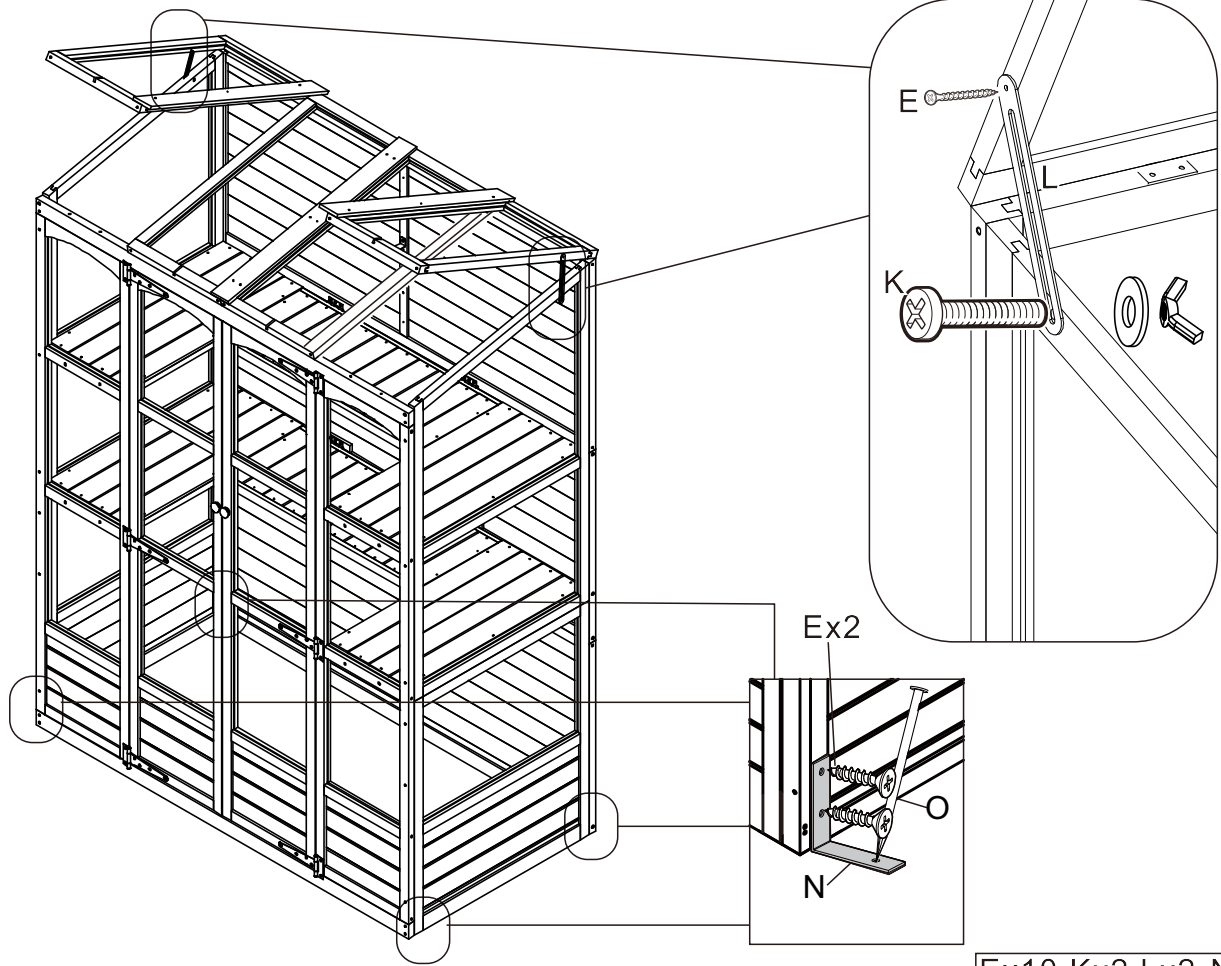
step 13

16x1 17x1 18x2 19x2 20x1  
Dx12



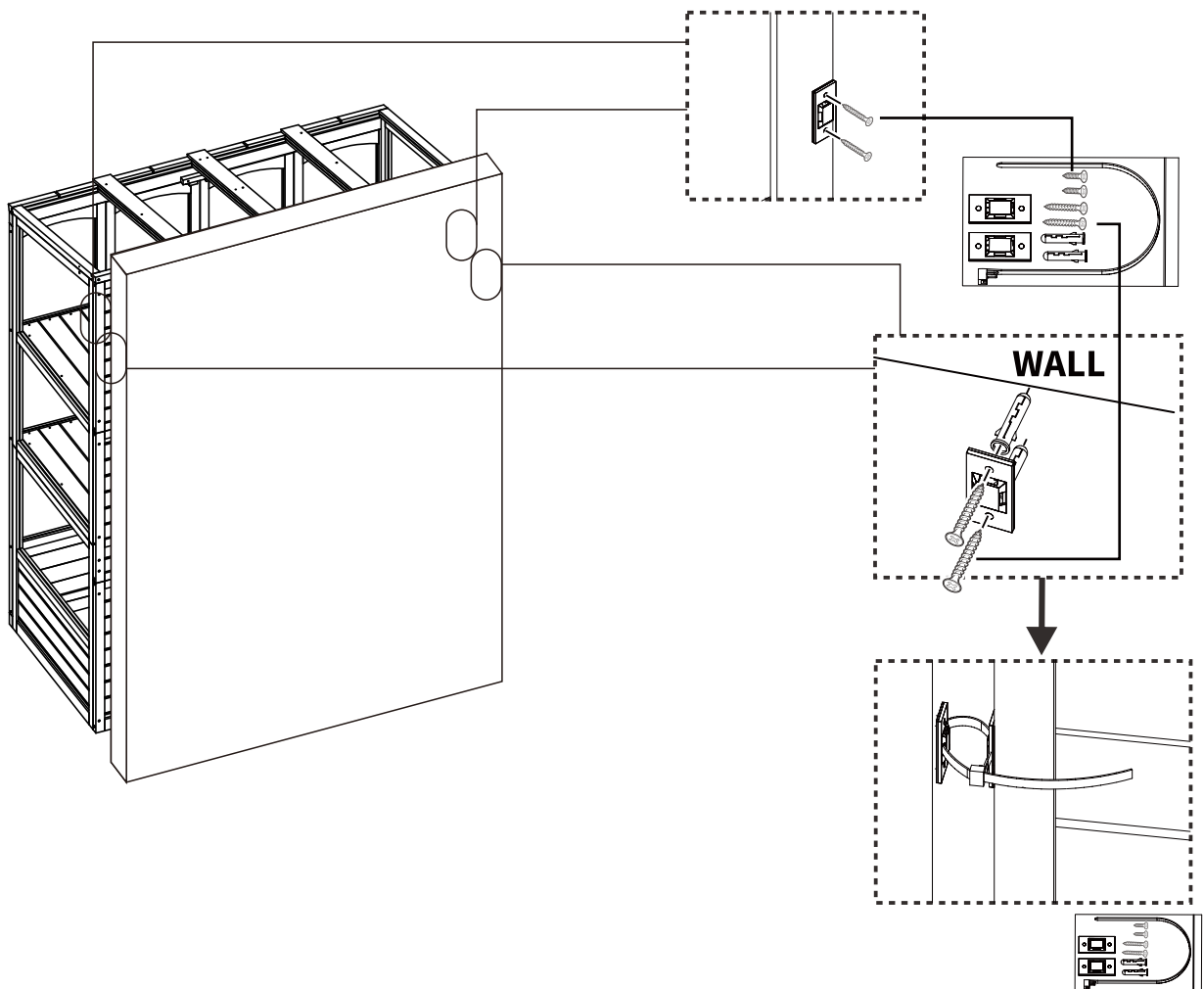
step 14

Ex16



step 15

Ex10 Kx2 Lx2 Nx4 Ox4



step 16

x2