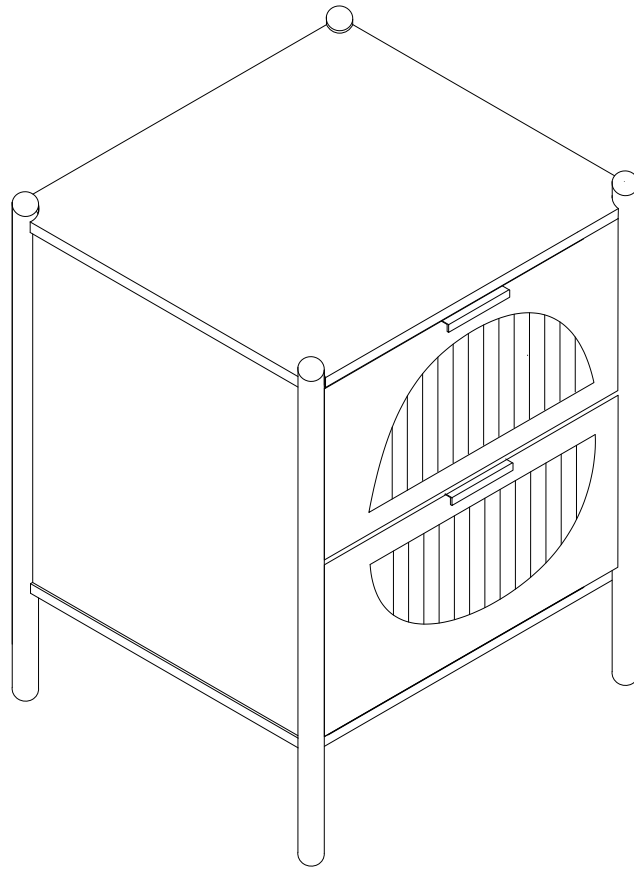


Installation Instruction



Product name

2 Drawer End Table

Ver.1.0 20220512

Assembling

What's included

Estimated time for assembly

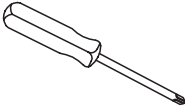


30:00

Code	Description	Qty
A	Cam Bolt M6x35MM	12
B	Cam Lock M15x9MM	12
C	Handle	2
D	Screw M3.5x12MM	4
E	Slider Set	2
F	Wooden Dowel M6x30MM	8
G	Screw M4x30MM	12
H	Plastic Corner Support	4
I	Screw M3x14MM	4
J	Screw M3.5x12MM	24
K	Pads	4

What you need

- Use the packaging carton as a working surface to prevent product damage during assembly
- Phillips head screwdriver



Weight Limitation

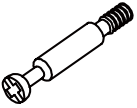


44 |
lbs table top

11
lbs per drawer

The Hardwares

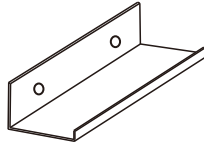
A



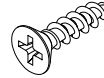
B



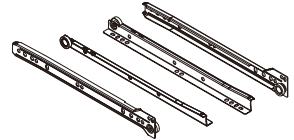
C



D

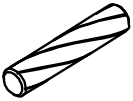


E

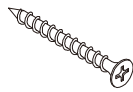


CL DL DR CR

F



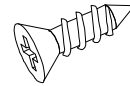
G



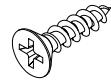
H



I



J



K



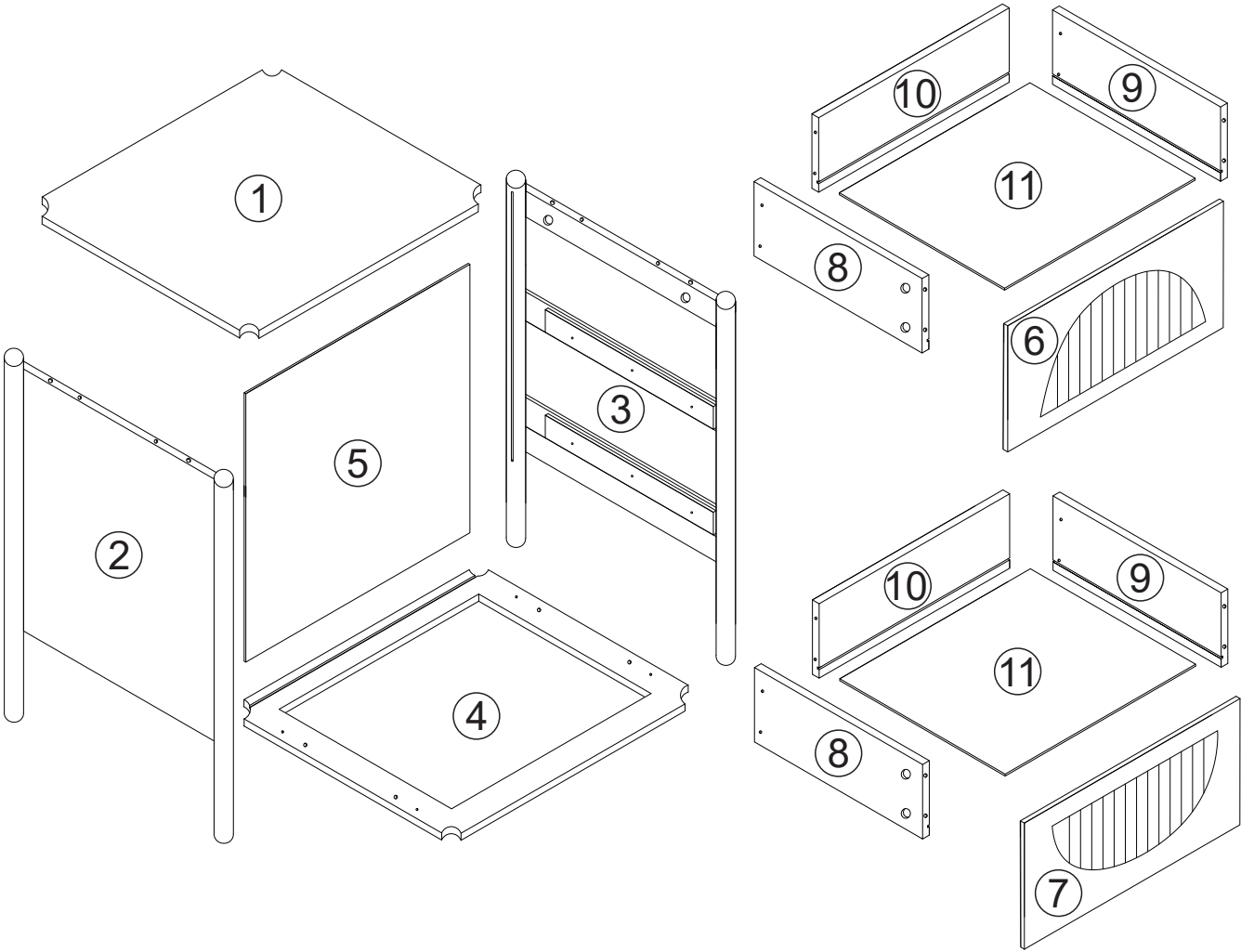
IMPORTANT:

1. Do not tighten bolts / screws completely until all bolts / screws are lined up and inserted into holes.
2. Do not over tighten screws and bolts to avoid stripping.
3. Please use hand tools to assemble this product. Do not use power tools.

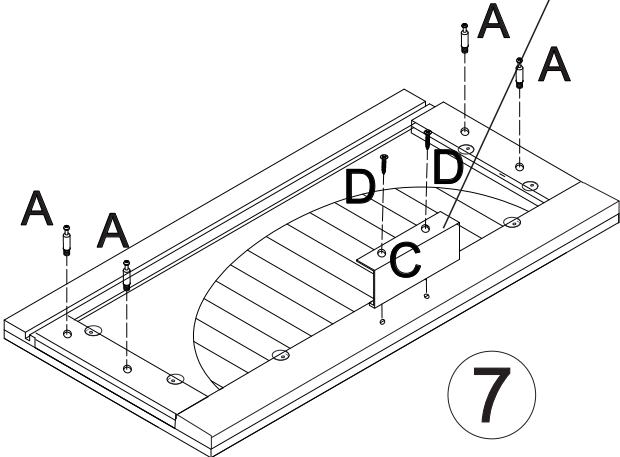
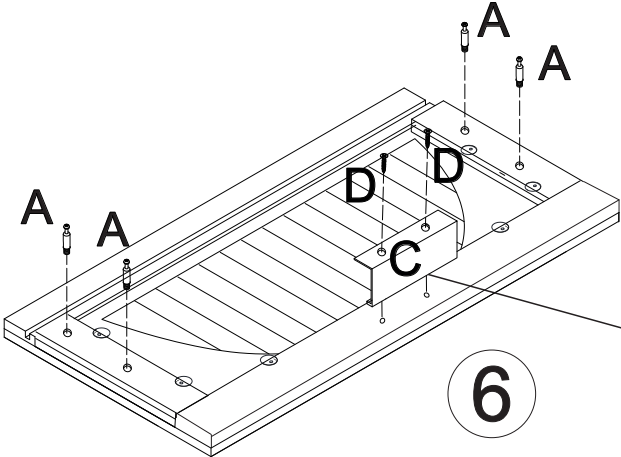
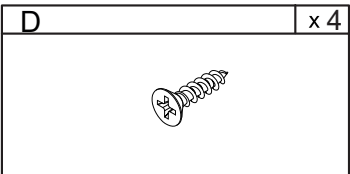
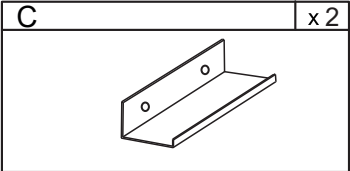
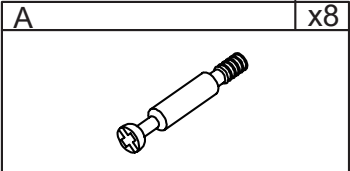
Included Accessories

Code	Description	Qty
1	Cabinet Top	1
2	Left Side Panel	1
3	Right Side Panel	1
4	Bottom Panel	1
5	Back Panel	1
6	Upper Drawer Front	1
7	Bottom Drawer Front	1
8	Drawer Left Side Panel	2
9	Drawer Right Side Panel	2
10	Drawer Back Panel	2
11	Drawer Bottom Panel	2

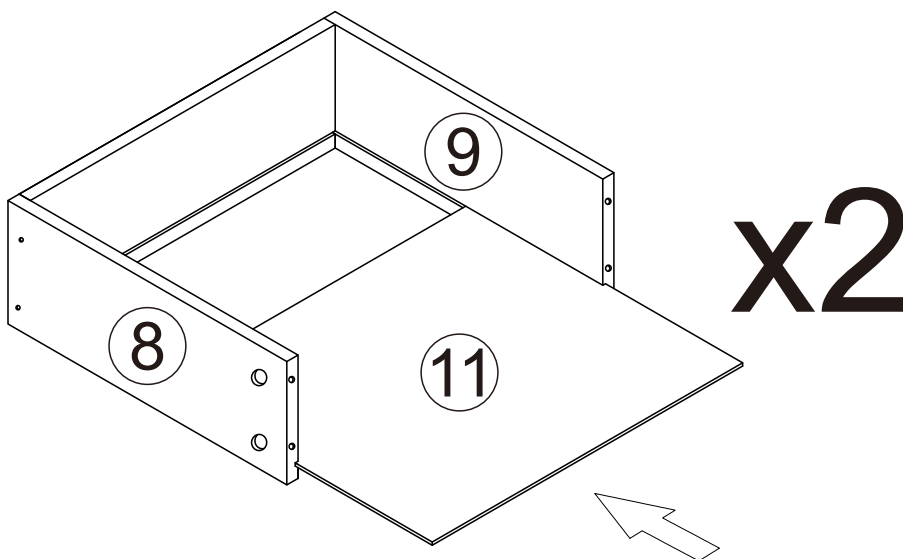
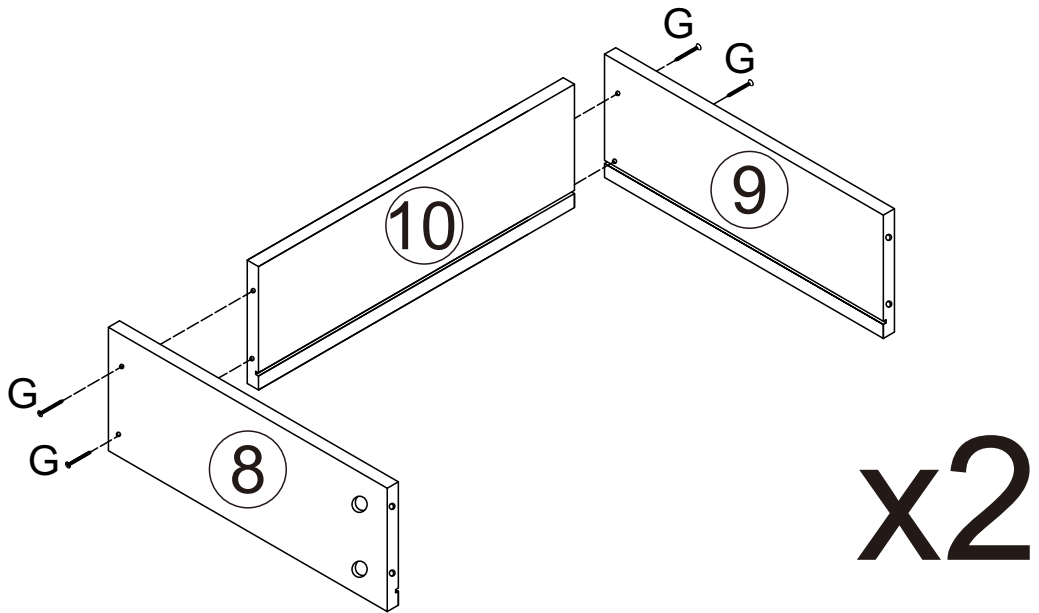
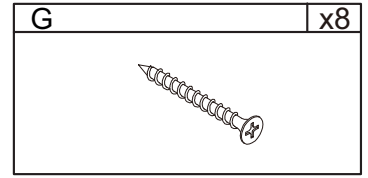
The Accessoriess



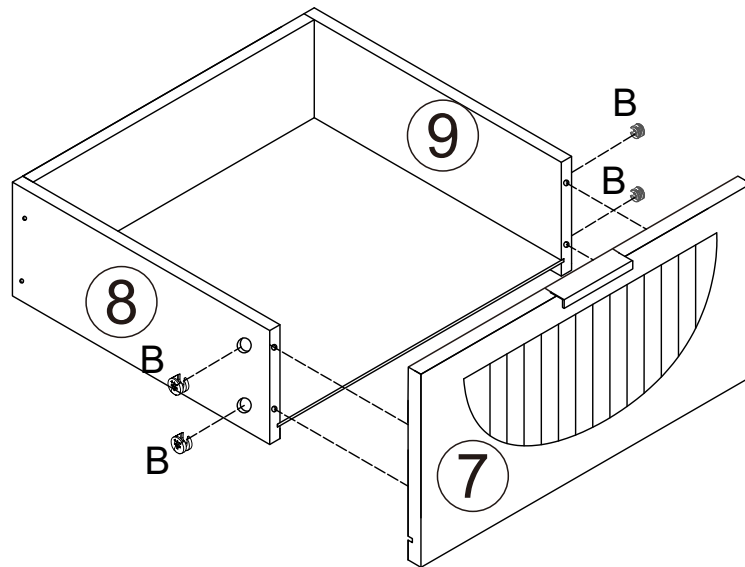
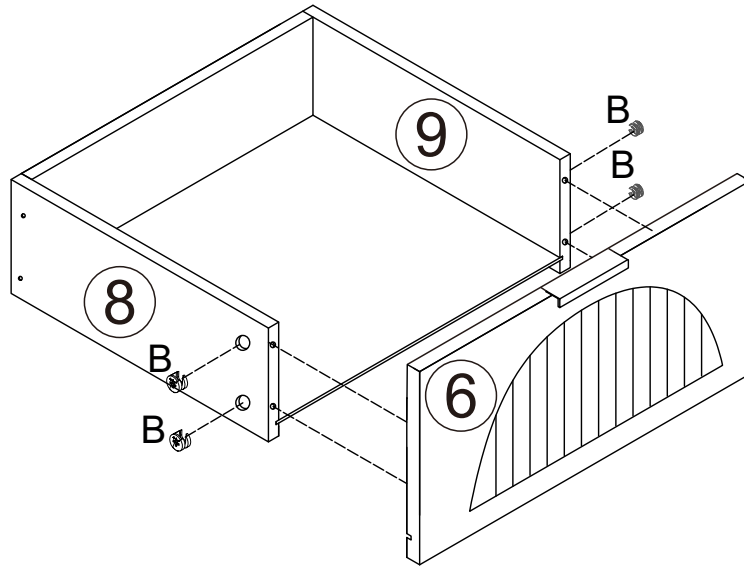
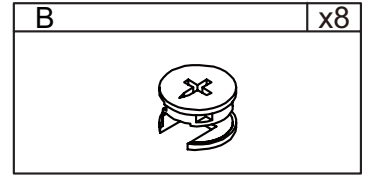
Step 1



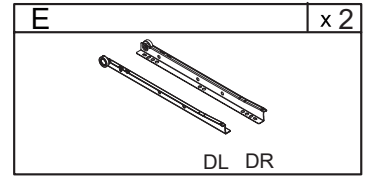
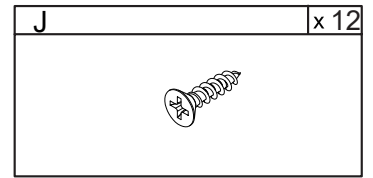
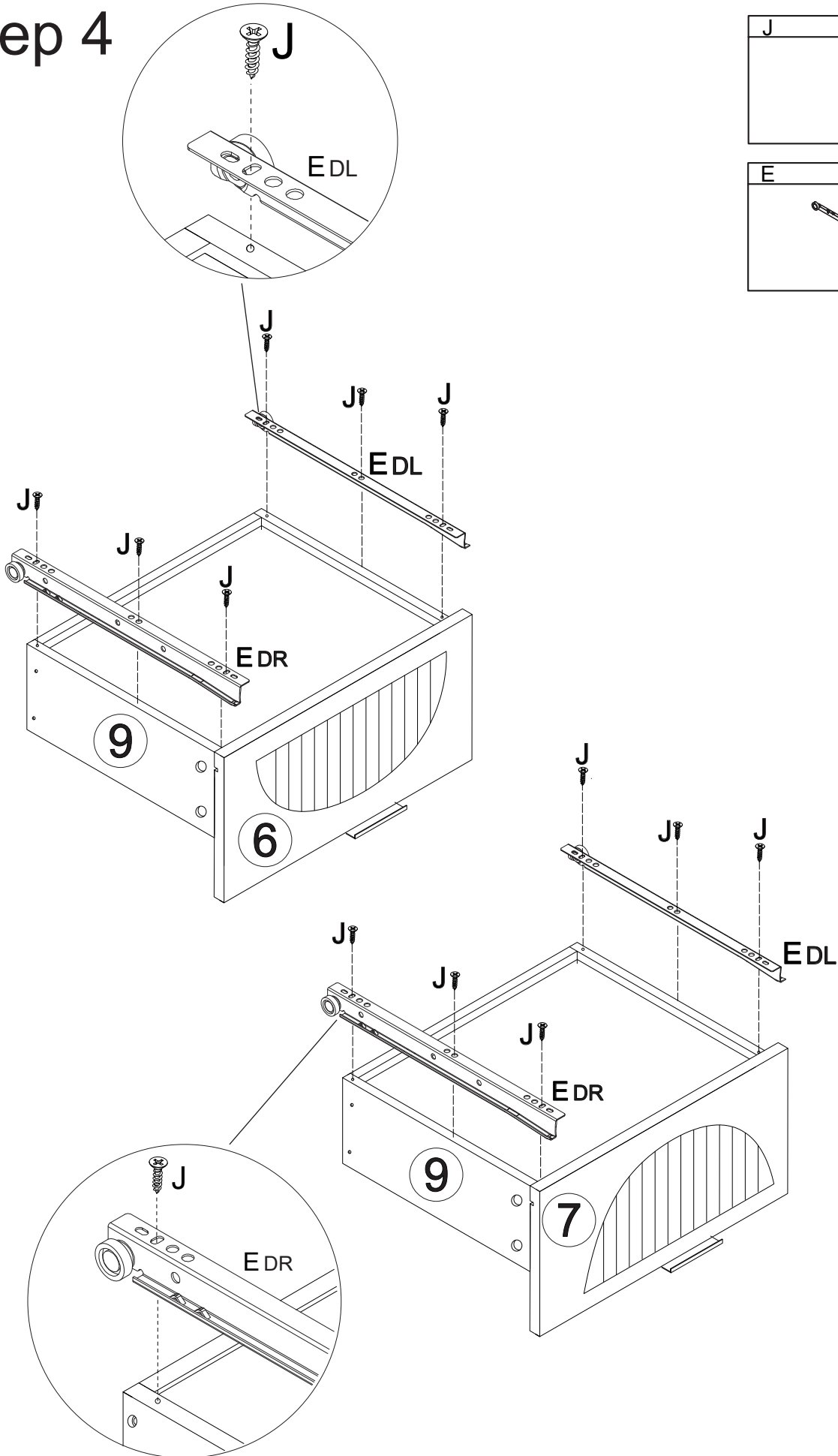
Step 2



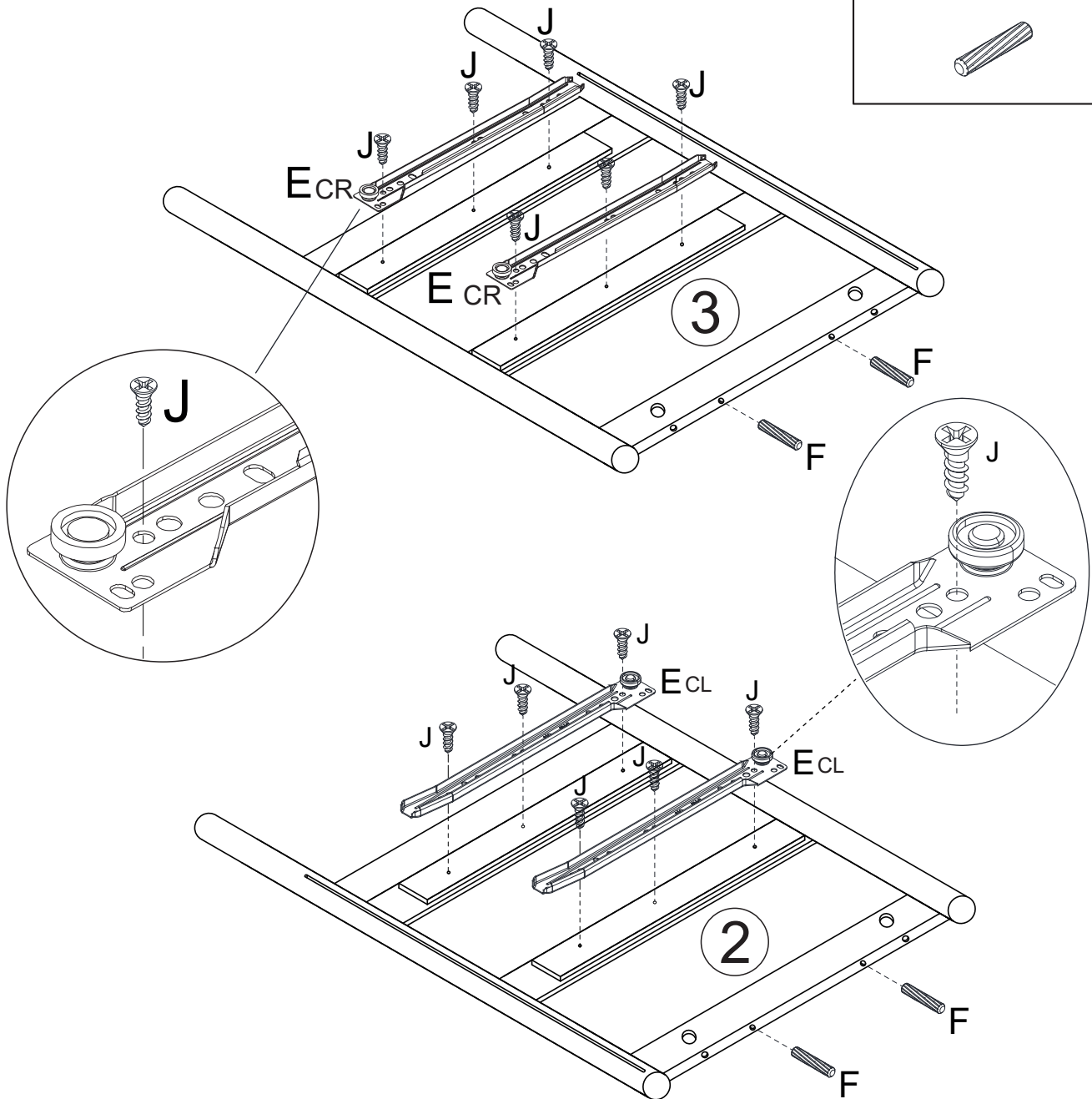
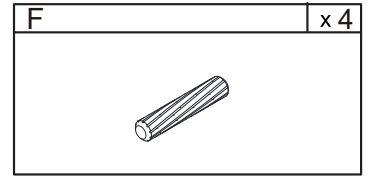
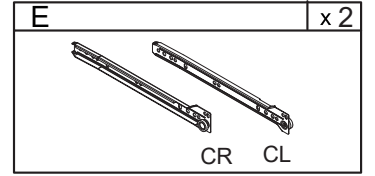
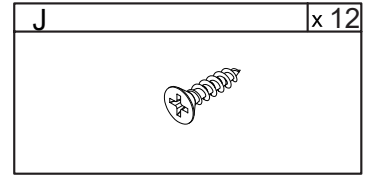
Step 3



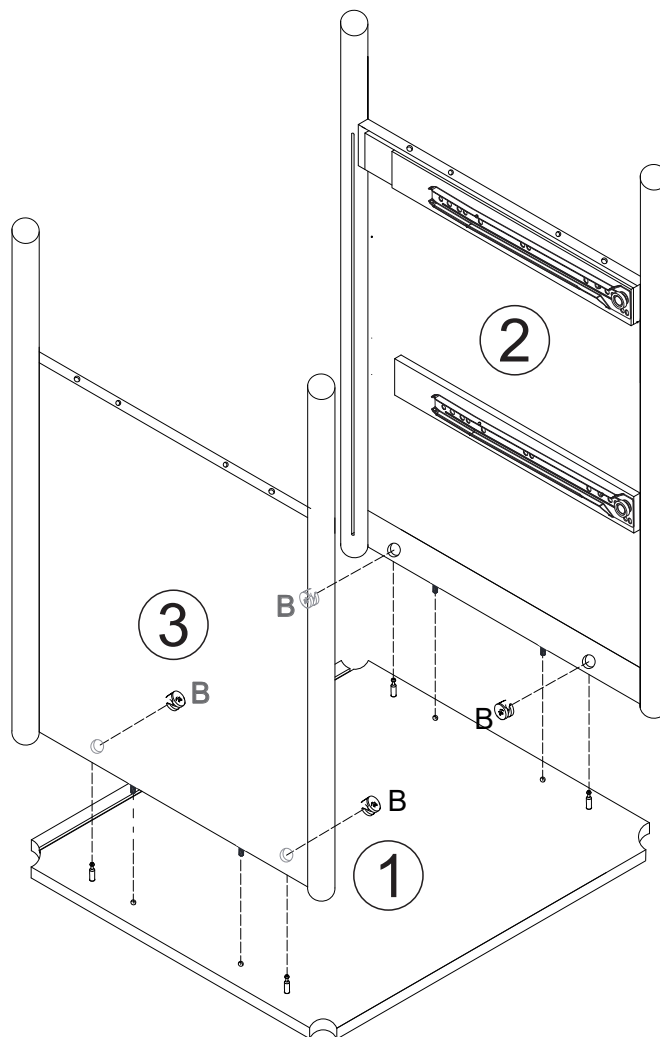
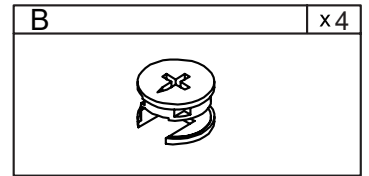
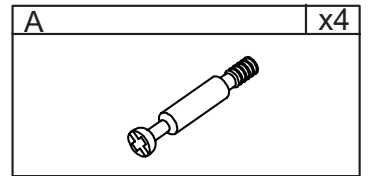
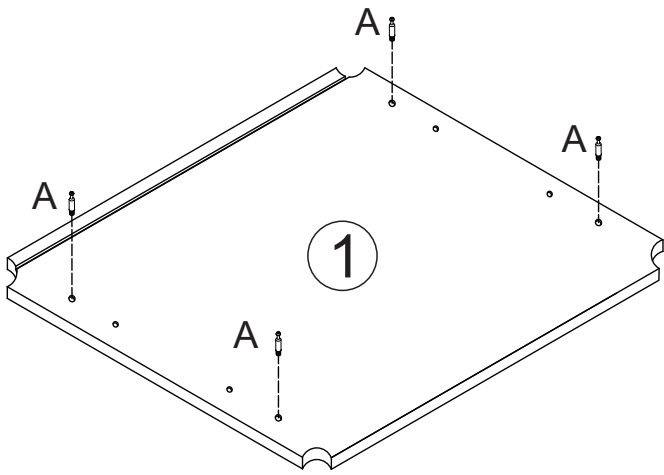
Step 4



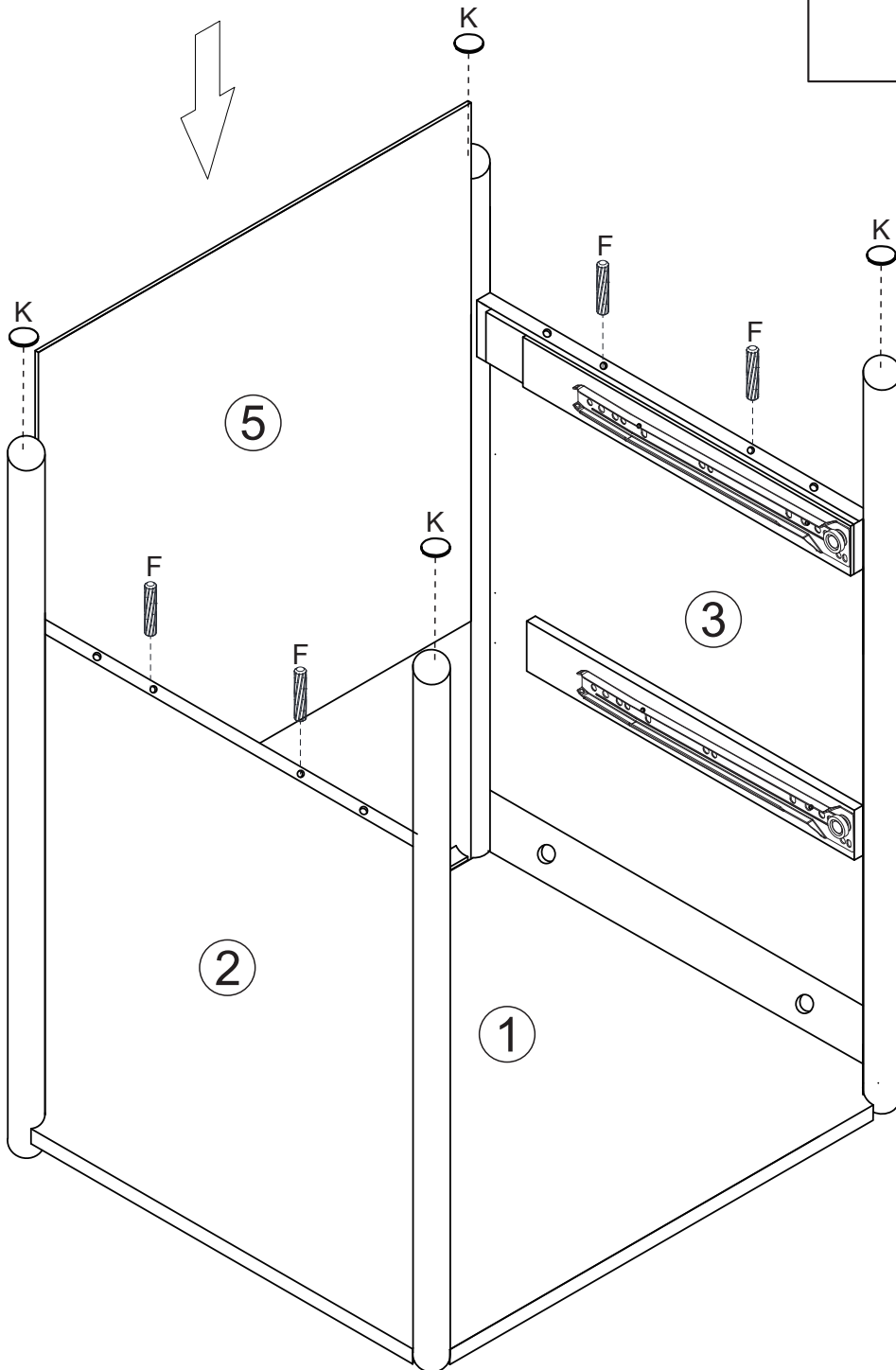
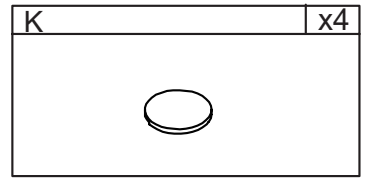
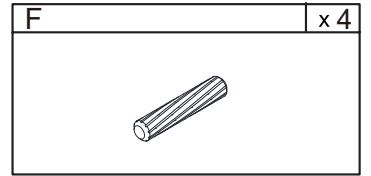
Step 5



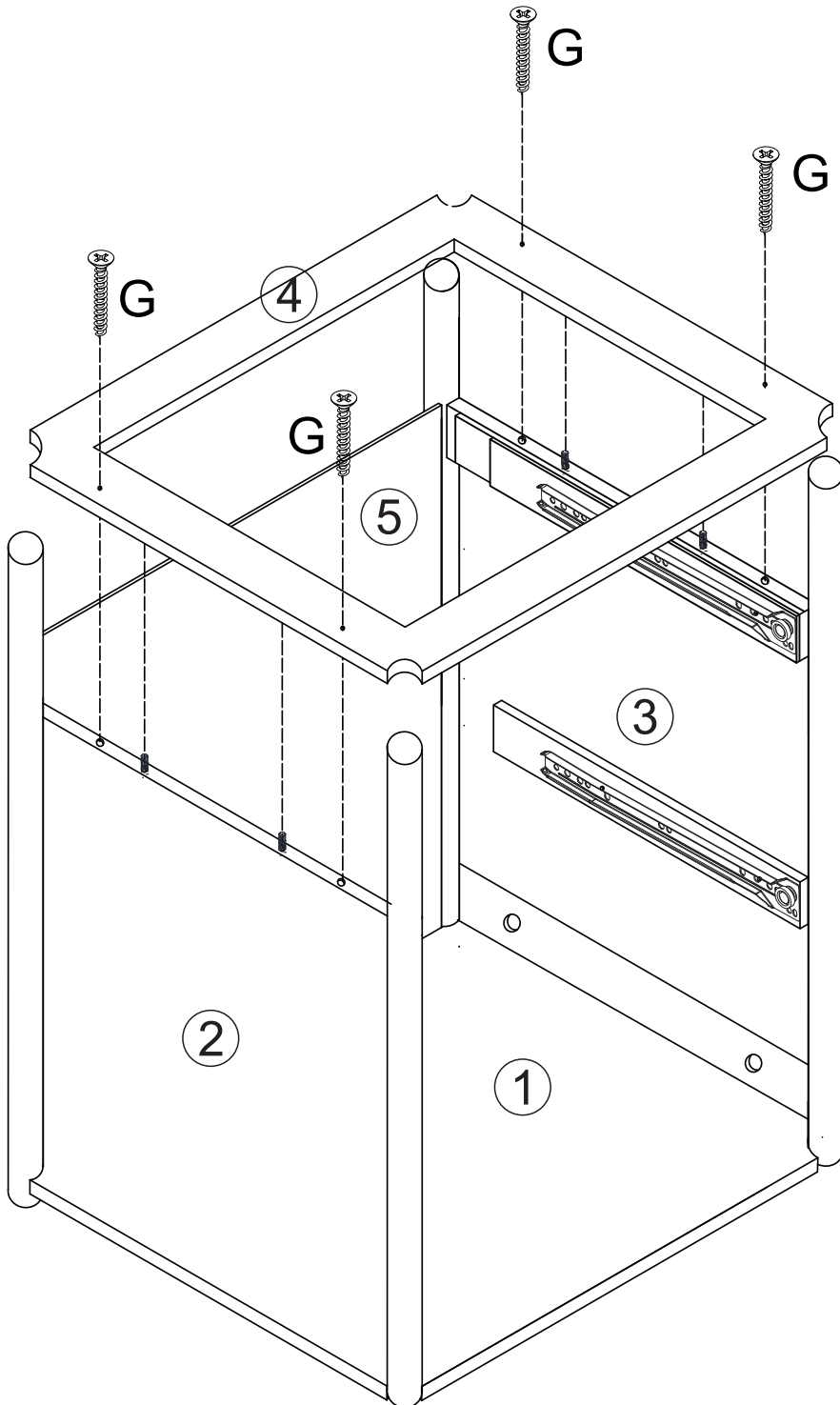
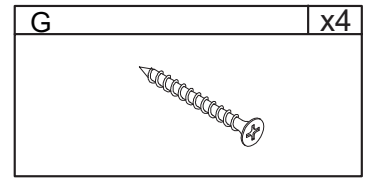
Step 6



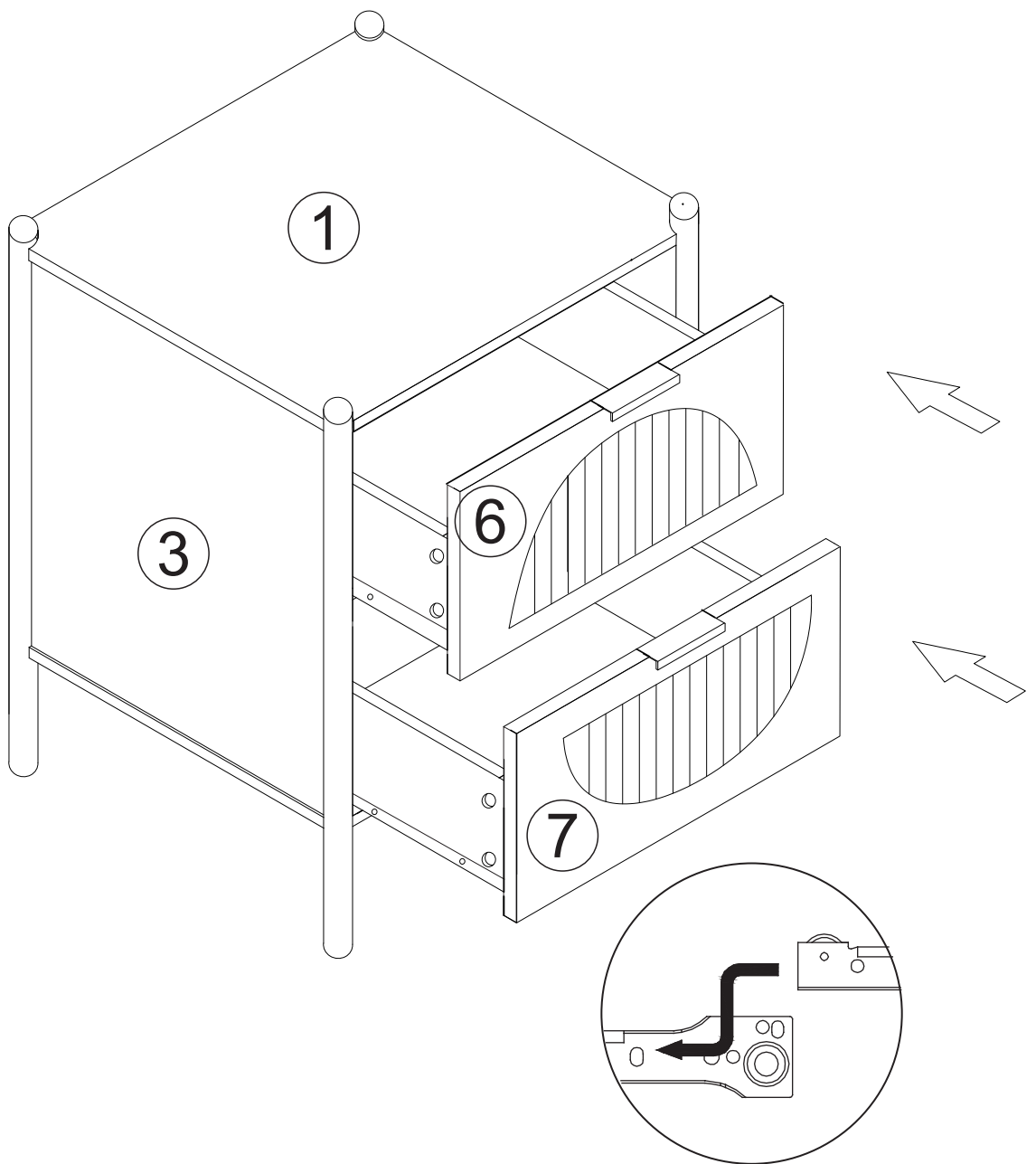
Step 7



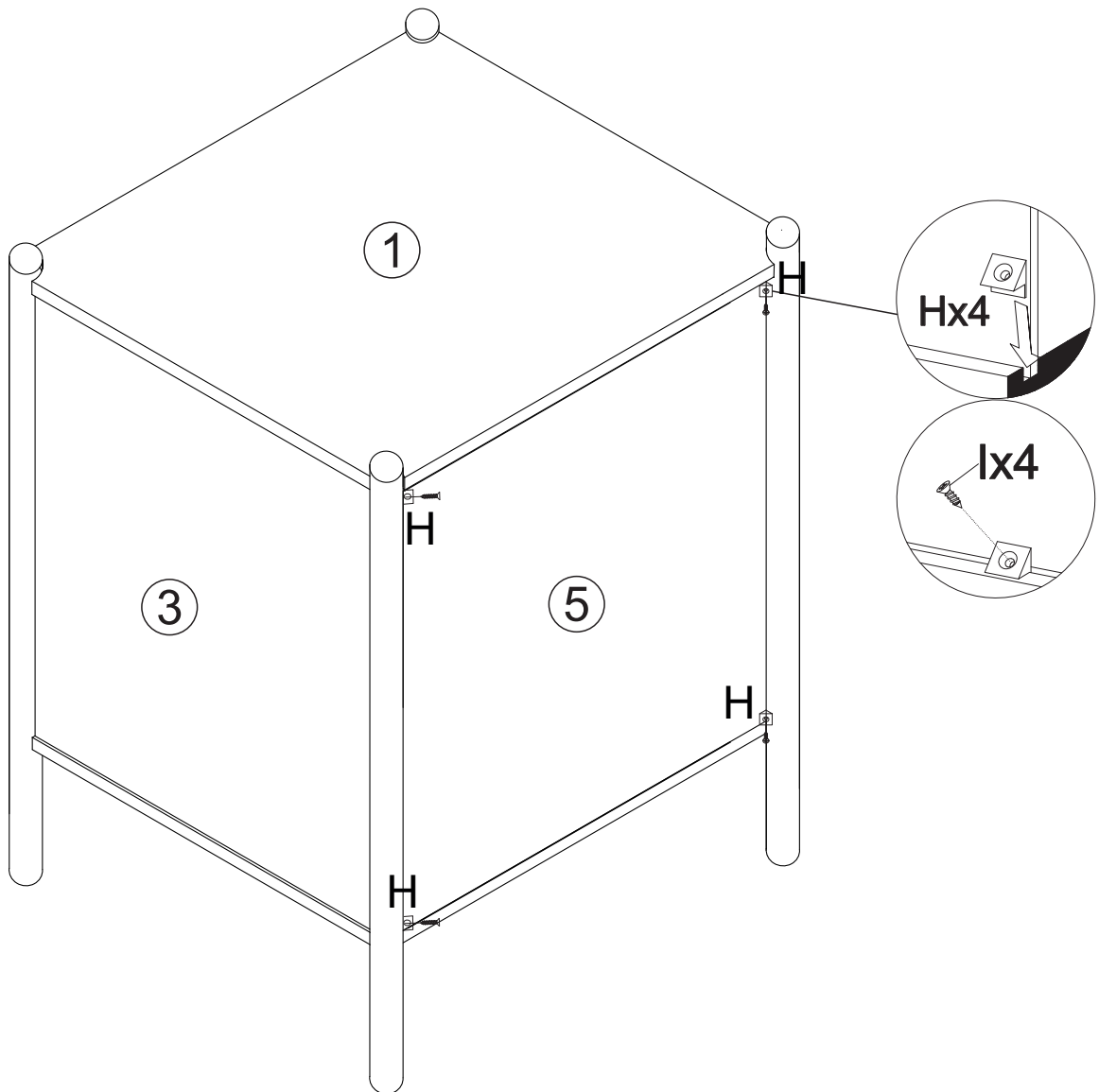
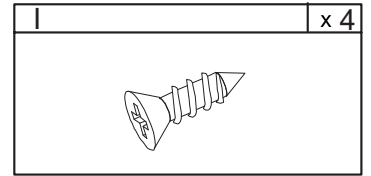
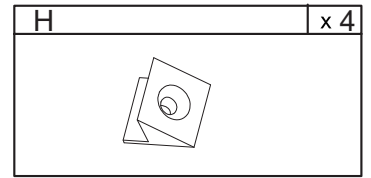
Step 8



Step 9



Step 10



Proper Use

- DO NOT use for commercial purposes
- DO NOT use as a step stool or stand on table
- DO NOT put hot serving liquid directly on the table top
- DO NOT leave spilled liquid on the table top
- DO NOT use table if damaged
- DO NOT exceed weight limit
- DO NOT make temporary repairs
- DO NOT use outdoor