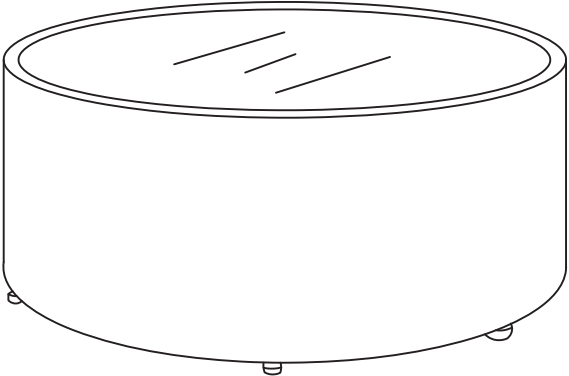


Round Table





**IMPORTANT, RETAIN FOR  
FUTURE REFERENCE:  
READ CAREFULLY.**

## **Safety**

- For domestic use only.
- Always use on firm level ground.
- Don't tighten all the bolts before the product is fully assembled.
- It would be useful to ask someone to help you assemble the product.
- Periodic structural checks of this product should be undertaken, do not use if you have any doubts about its fitness for purpose.
- Do not stand and sit on the table.
- Do not let children play with this product.



## **At the beginning of the season**

- Check to ensure that all components and fixings of this product are secure, do not use if you have any doubts about its fitness for purpose.

## **At the end of the season**

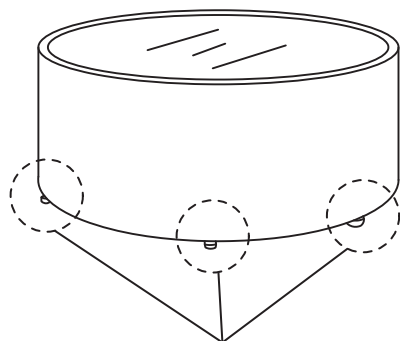
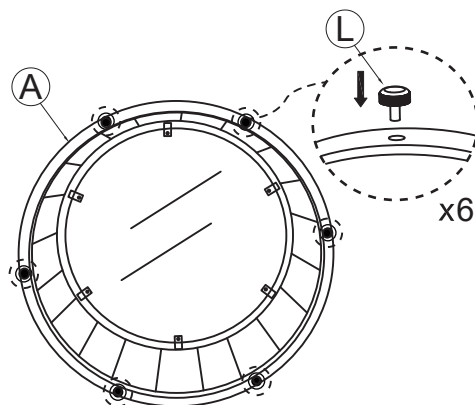
- This product should be stored under cover during prolonged spells of adverse weather (wet or cold) and also during the winter (ideally in a garden shed or garage).
- Always clean and dry thoroughly before storage.

## COMPONENT LIST - ROUND TABLE

Item no.	Reference Image	Description	Qty.
A		Table	1
L		Adjustable Feet	6

**1**

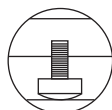
Complete the assembly of adjustable feet (L) as picture. Do this in 6 places.



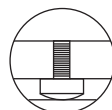
Adjust Pre-installed levers height for balance

**2**

Place the table on a level surface, and adjust height for balance. Your table is ready for use.



Adjust height for balance



Adjust low for balance