

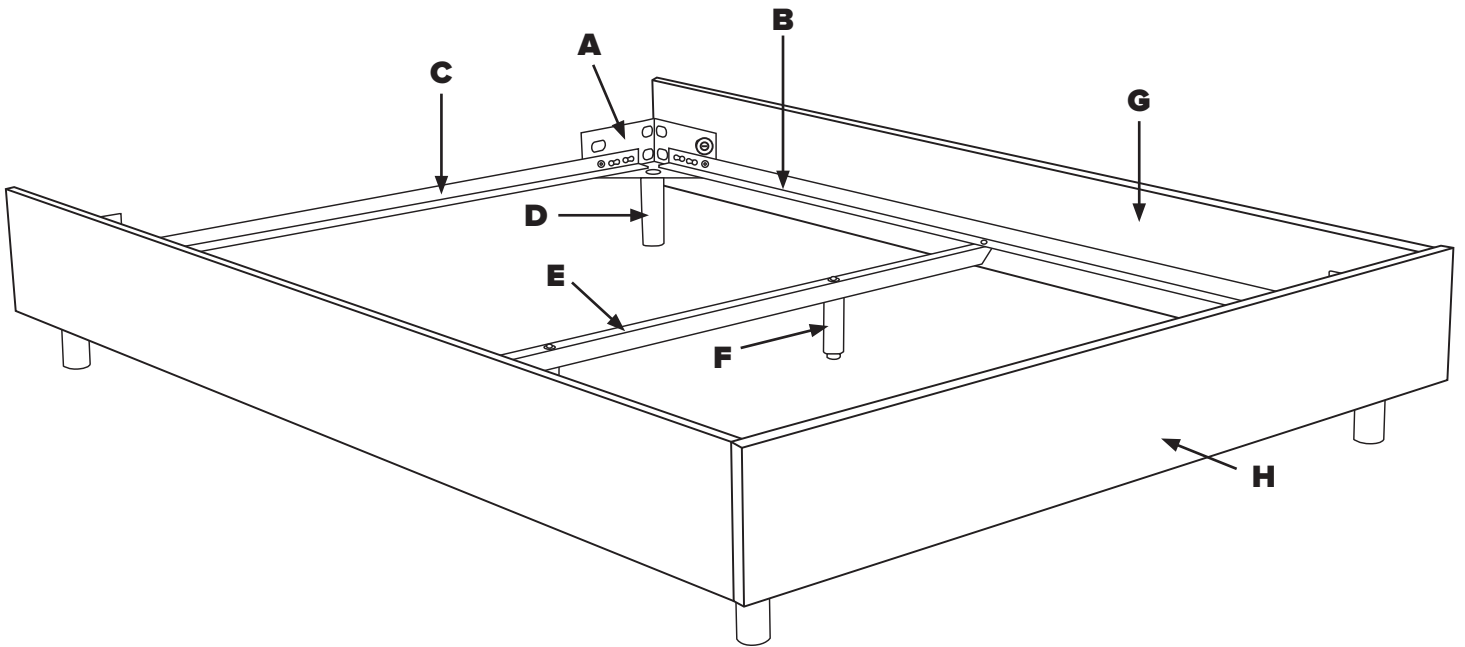


SKYLINE
FURNITURE
MFG.

FULL SIZE BED FRAME ASSEMBLY

COMPONENTS

ITEM	DESCRIPTION	QTY	ITEM	DESCRIPTION	QTY
A	Metal corners	4	E	Center support rail	1
B	Metal side rail	2	F	Center support leg	2
C	Metal end rail	2	G	Upholstered side rail	2
D	Corner leg	4	H	Upholstered foot rail	1



HARDWARE



(H1) x 10
1/4" bolt



(H2) x 10
1/4" nut



(H3) x 4
3/4" x 5/16" bolt



(H4) x 4
3/4" washer
larger hole



(H5) x 2
1" x 1/4" bolt



(H6) x 2
3/4" washer
smaller hole



(H7) x 6
1" x 5/16" bolt



(H8) x 6
1 1/4" washer



(H9) x 1
Smaller L wrench



(H10) x 1
Larger L wrench



(H11) x 1
Wrench



(H12) x 8
3/4" screw
optional



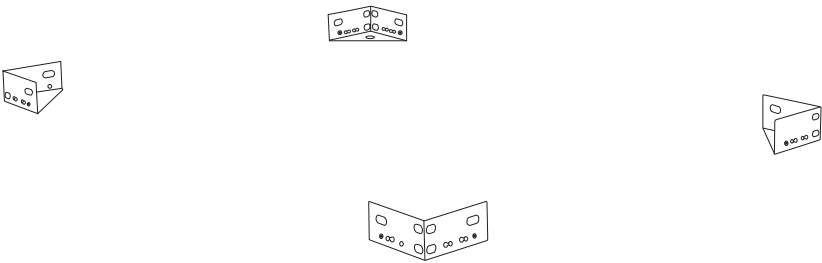
(H13) x 2
L bracket
optional

Please note: you will need a flat head and phillips head screwdriver to assemble your bed frame.



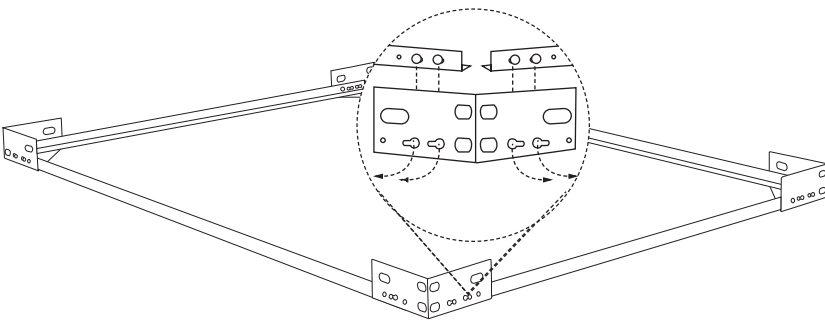
FULL SIZE BED FRAME ASSEMBLY

STEP 1 - BUILDING THE METAL BED FRAME



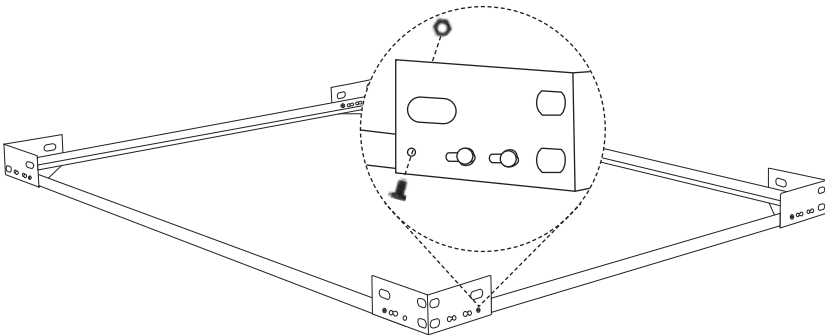
1.1

Place (A) metal corners in a rectangular shape roughly the size of your mattress.



1.2

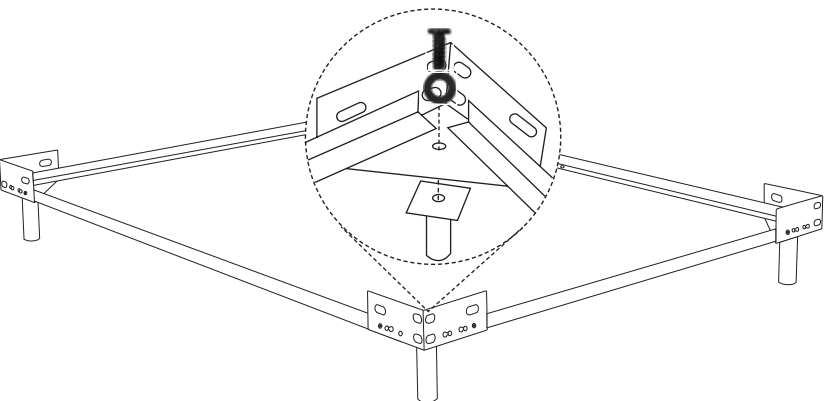
Lay (B) and (C) metal rails into (A) metal corners to create the shape of your bed frame. Snap into place.



1.3

Secure (B, C) metal rails to (A) metal corners using (H1) bolts and (H2) nuts. Tighten using (H9) L wrench and (H11) wrench.

Please note: (H2) nuts should be on the inside of the frame.



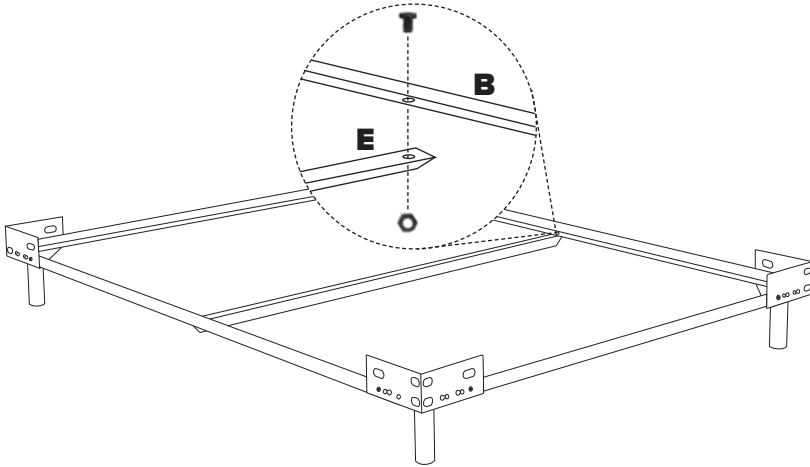
1.4

Carefully attach (D) corner legs underneath (A) metal corners using (H3) bolts and (H4) washers. Tighten using (H10) L wrench.



FULL SIZE BED FRAME ASSEMBLY

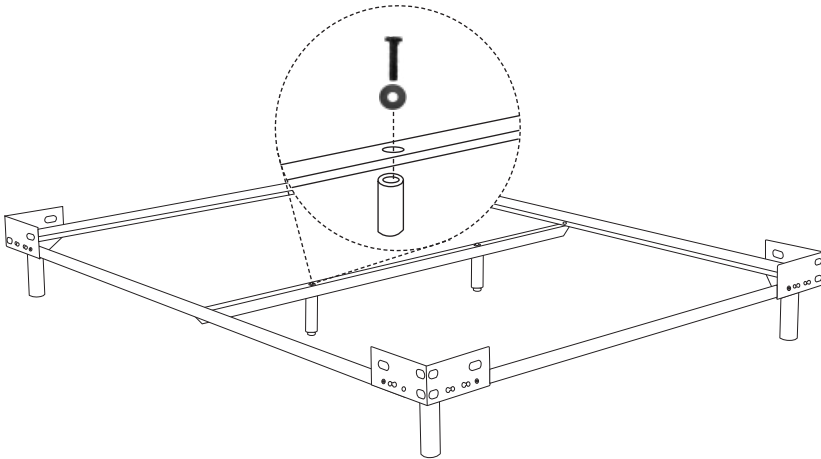
STEP 2 - CENTER SUPPORT SYSTEM



2.1

Align holes of (E) center support rail with holes on (B) metal side rails. Attach using (H1) bolts and (H2) nut. Tighten using (H9, H11) wrenches.

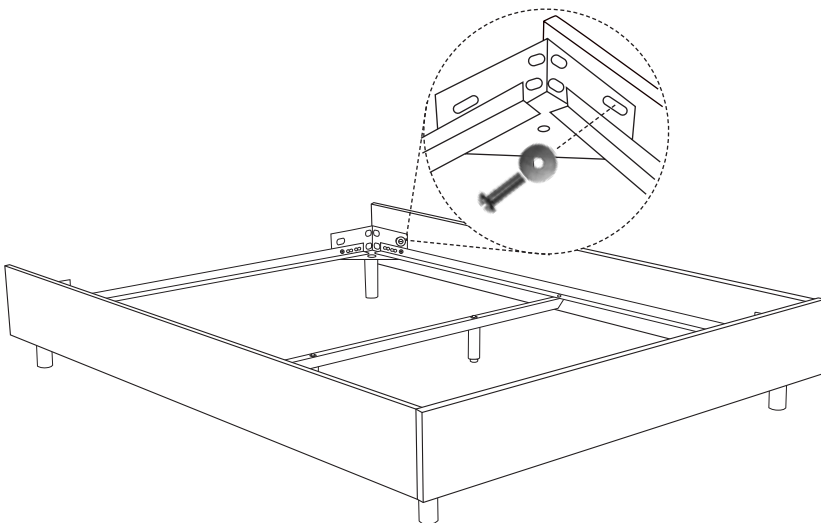
Please note: (E) center support rail attaches underneath (B) metal side rails.



2.2

Attach (F) center support legs to (E) center support rail using (H5) bolts and (H6) washer. Tighten using (H9) L wrench.

STEP 3 - ATTACHING THE UPHOLSTERED RAILS



3.1

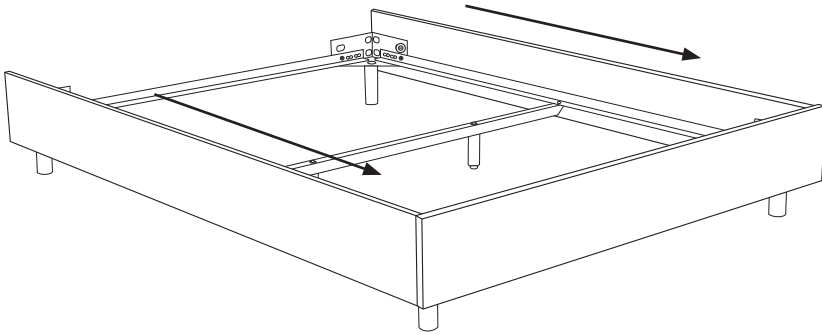
Loosely attach (G, H) upholstered rails to bed frame using (H7) bolts and (H8) washers.

Please note: if (G) upholstered side rails have an additional hole, make sure the hole faces upwards and away from the (H) upholstered foot rail.



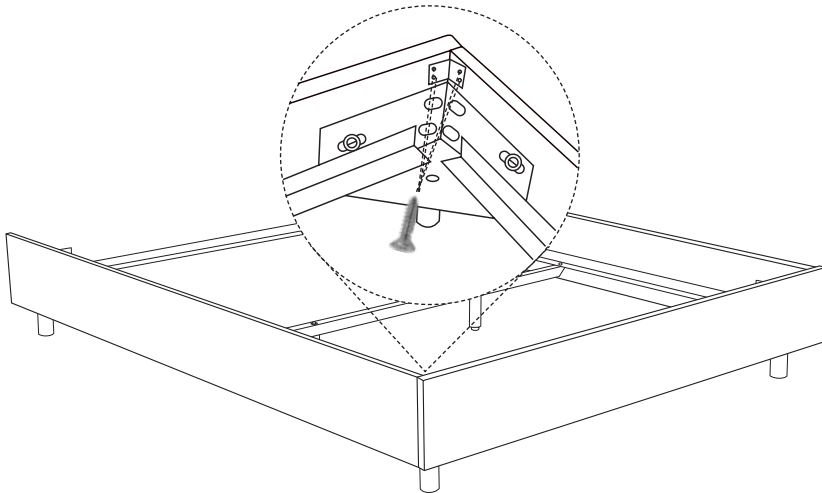
FULL SIZE BED FRAME ASSEMBLY

STEP 3 - ATTACHING THE UPHOLSTERED RAILS CONTINUED



3.2

Push (G) upholstered side rails toward (H) upholstered foot rail to eliminate any gaps. Tighten (G) upholstered side rails first, then (H) upholstered foot rail using flat head screwdriver.



3.3 (OPTIONAL)

To reinforce stability of (G, H) upholstered rails, use a phillips screwdriver to attach (H13) L brackets using (H12) screws.

Please note: this requires screwing (H12) directly into the upholstered side rail.

ATTACHING YOUR HEADBOARD

For instructions on how to attach your headboard to your bed frame, please consult the assembly instructions found in the box your headboard was shipped in.

LIMITED WARRANTY

Skyline Furniture Inc. guarantees its upholstered furniture against defects in construction for a period of one (1) year. When a structural defect is brought to our attention, we will repair or replace it at our option at no charge to the customer (includes parts and labor, not transportation costs). Fabric wearability for upholstered furniture is not covered by the warranty. Vacuum for regular cleaning.

PLEASE DISPOSE OF PLASTIC BAG(S) AND CARTON(S) RESPONSIBLY.

LIMITE DE GARANTIA

Skyline Furniture Inc. garantiza sus muebles tapizados contra defectos en construcción por un periodo de un (1) año. Cuando un problema de estructura es traído a nuestra atención, nosotros repararemos o remplazaremos sin ningun cargo a nuestro cliente (incluye partes y trabajo, no costo en transportacion). Descoloramiento del material de muebles tapizados no es cubierto por la garantia. Regularmente puede aspirar.

POR FAVOR TIRAR BOLSA(S) Y CAJA(S) RESPONSABLEMENTE.

GARANTIE LIMITÉE

Skyline Furniture Inc. garantit ses meubles rembourrés contre les défauts de construction pendant une période d'un (1) an. Lorsqu'un vice de construction nous est signalé, nous réparons ou remplaçons le meuble, selon notre choix, sans frais pour le client (incluant les pièces et la main-d'oeuvre, mais excluant les frais de transport). La durabilité du tissu des meubles rembourrés n'est pas couverte par la garantie. Nettoyer régulièrement avec un aspirateur.

VEUILLEZ JETER LE OU LES SAC(S) EN PLASTIQUE ET BOÎTE(S) DE FAÇON RESPONSABLE.