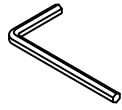


A*24



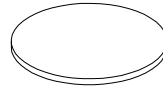
B*1



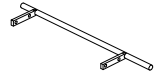
P1*1



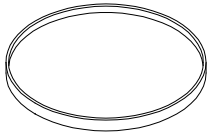
P2*1



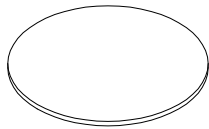
P3*3



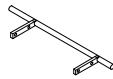
P4*1



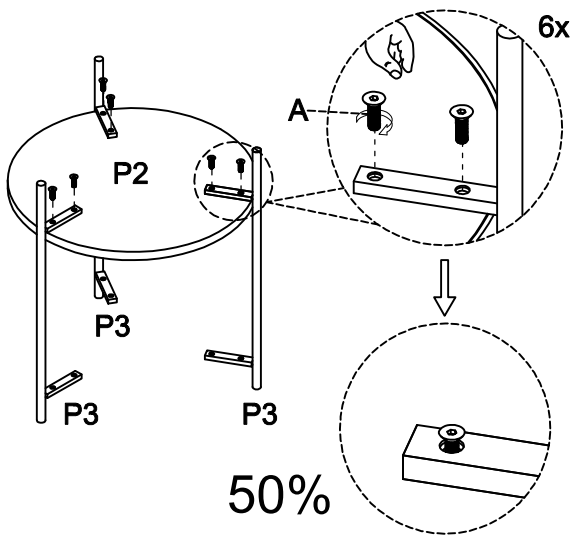
P5*1



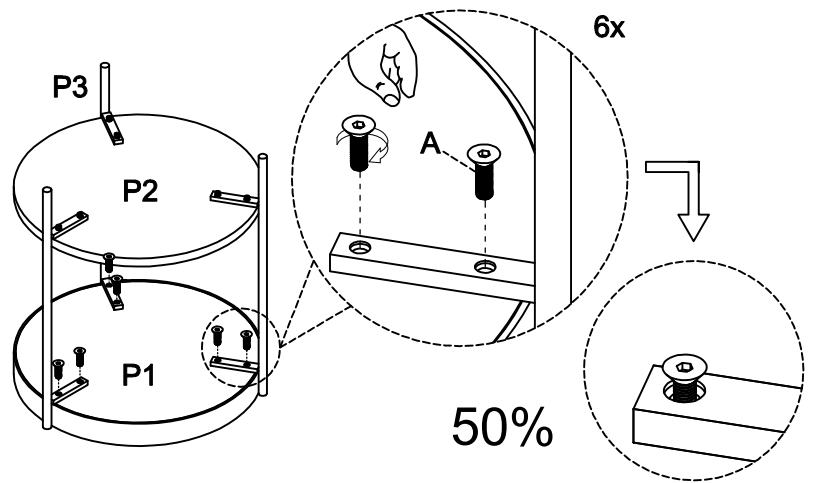
P6*3



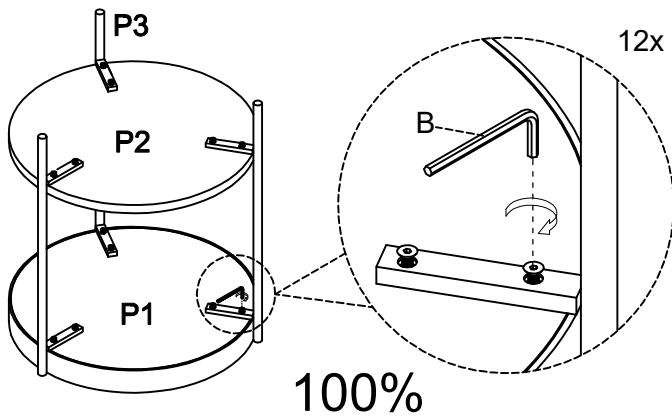
STEP 1



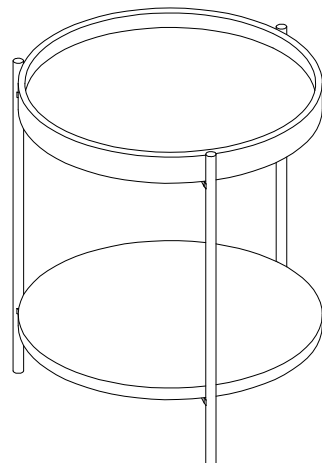
STEP 2



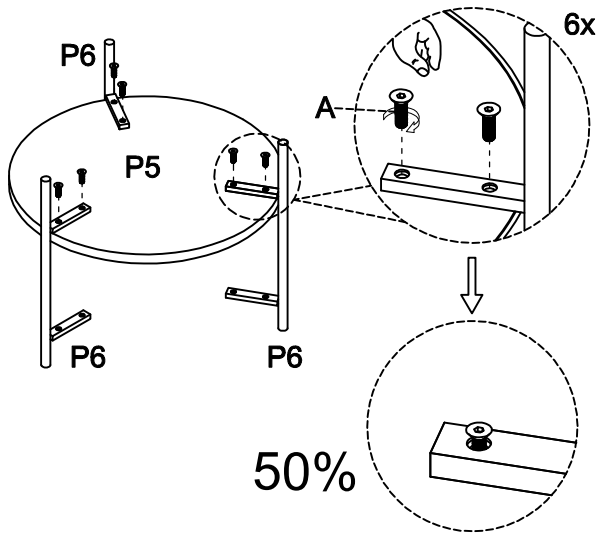
STEP 3



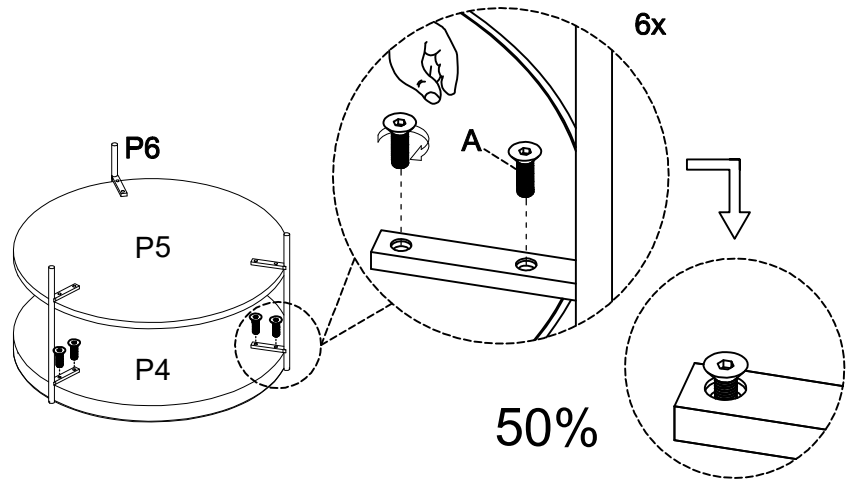
FINISH



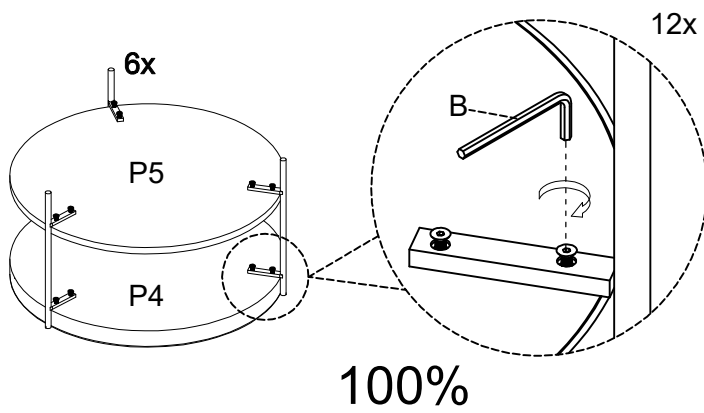
STEP 4



STEP 5



STEP 6



FINISH

