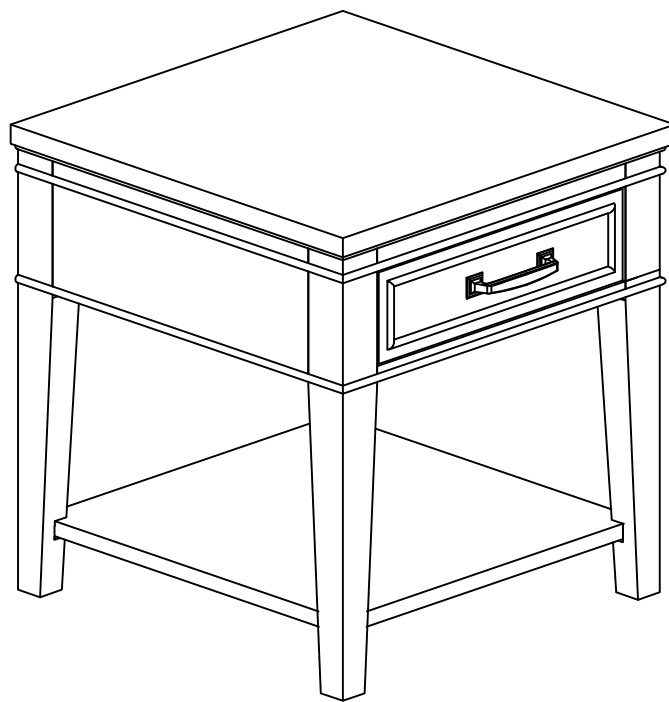
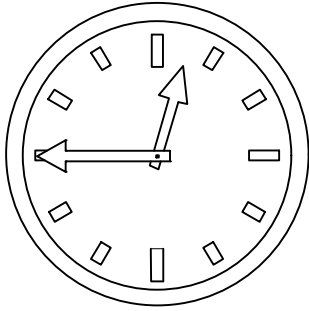
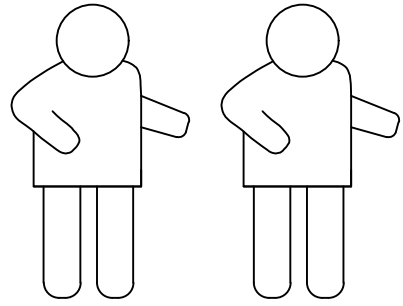


Assembly Instructions

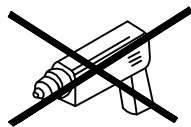
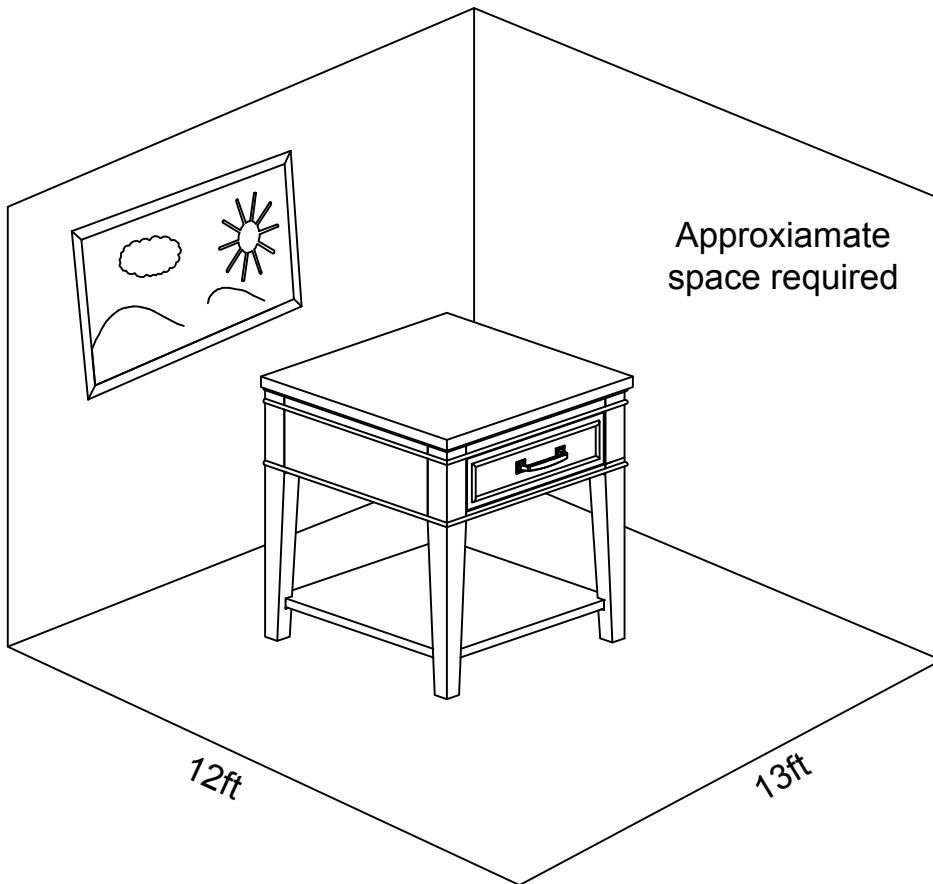




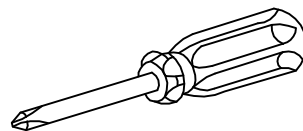
10 min



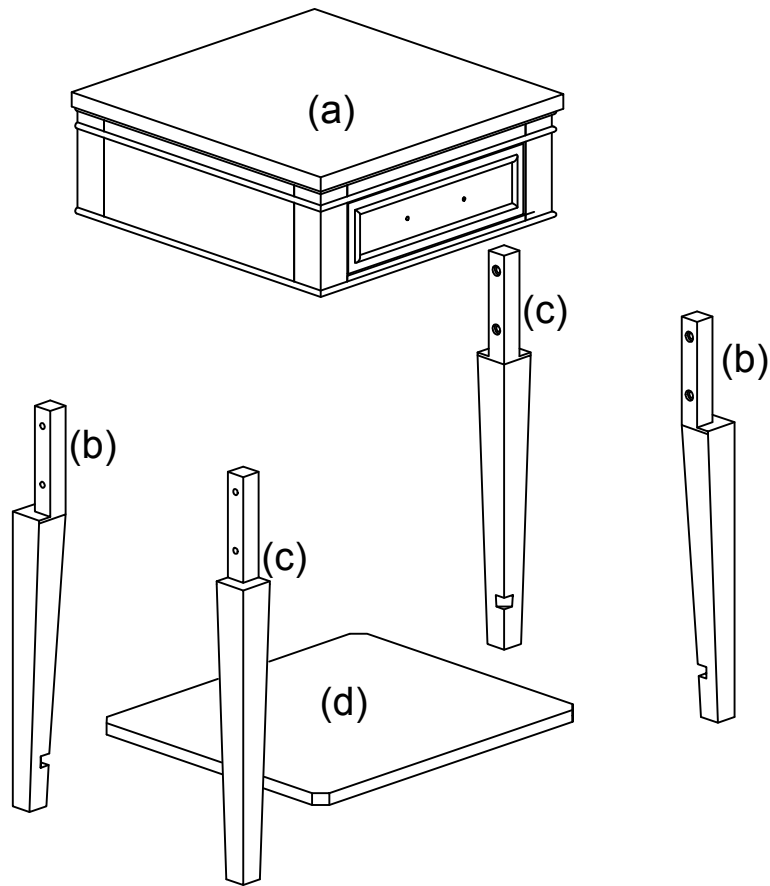
Two People Required




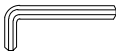


Do not use power tools



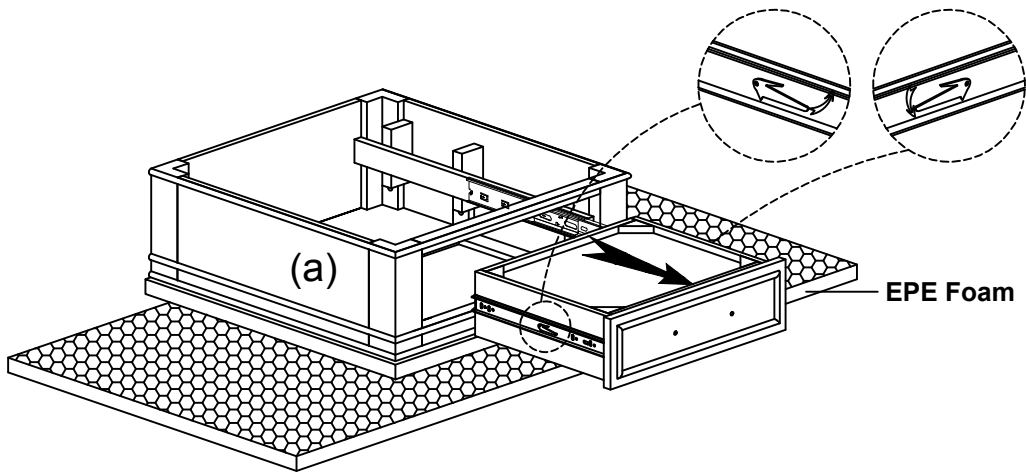
Phillips Head




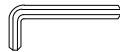
Hardware Pack

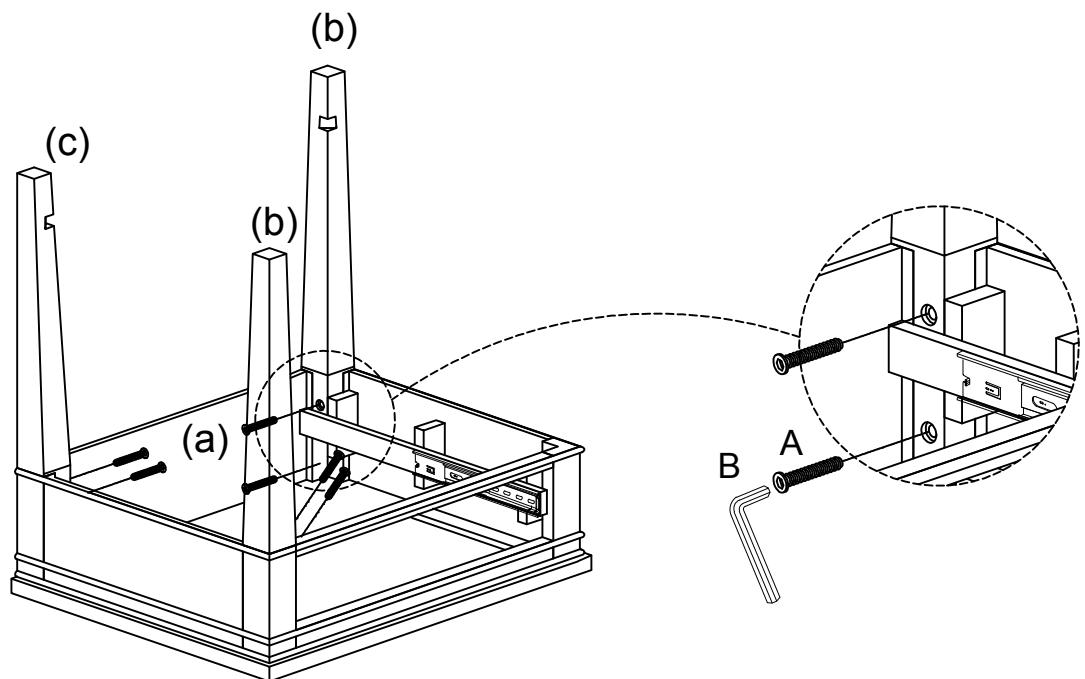
<p>A x 08</p>  <p>Ø5/16"x50 (mm)</p>	<p>B x 01</p> 	<p>C x 04</p> 	<p>D x 08</p>  <p>Ø3.5x15 (mm)</p>
---	---	---	--

1 Remove Drawer for assembly



- Please lay all components on smooth flat surface to prevent scratches
- Use the EPE foam to protect the finish before assembly

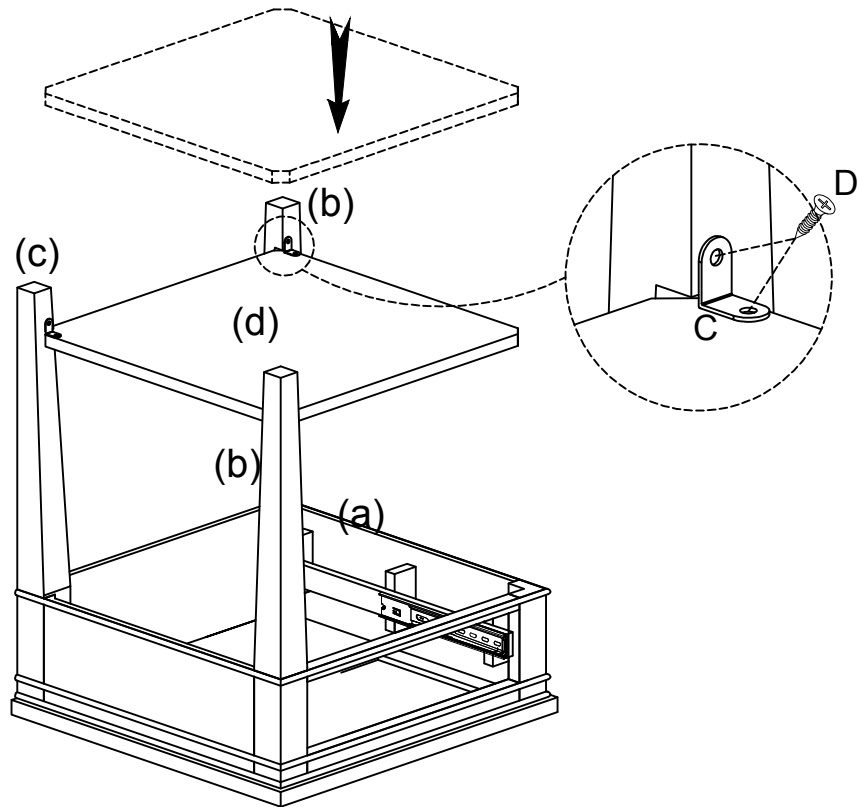
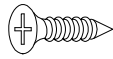
2 A x 6  B x 1 



3 C x 3



D x 6



4 A x 2



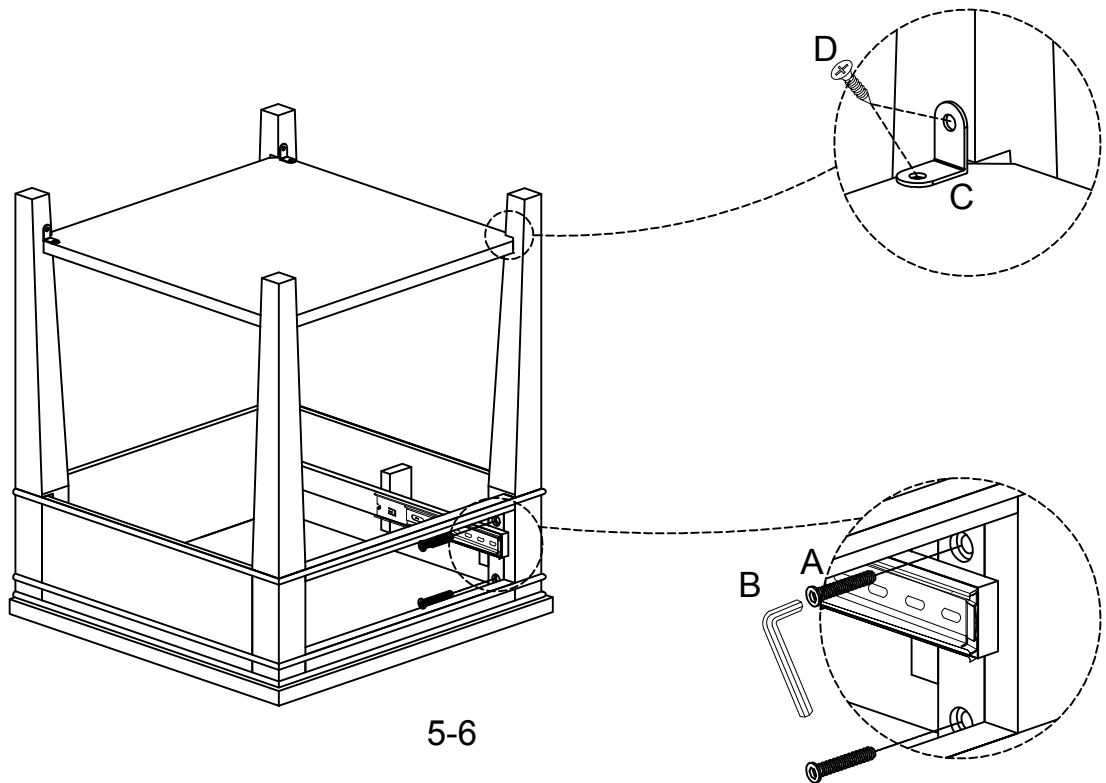
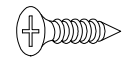
B x 1



C x 1

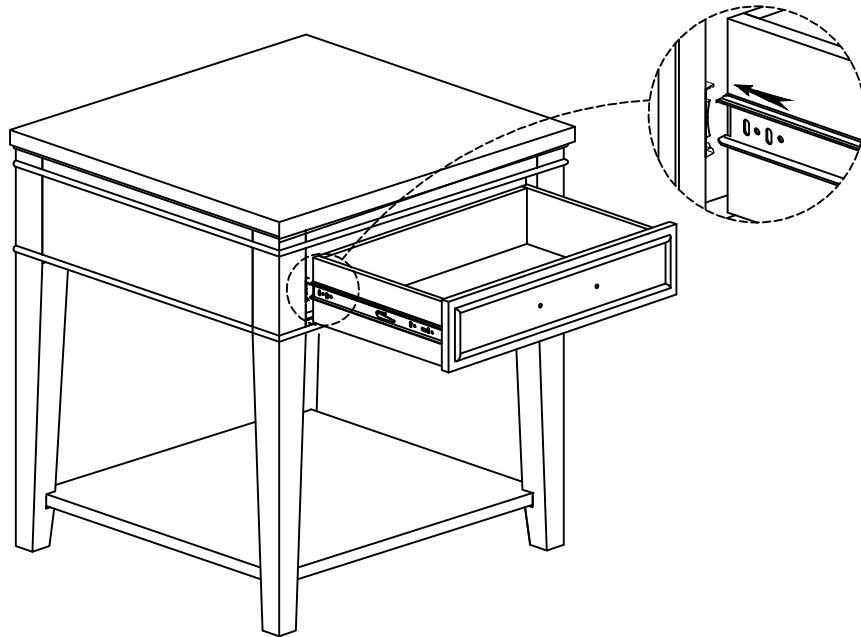


D x 2

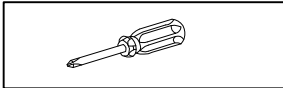


5-6

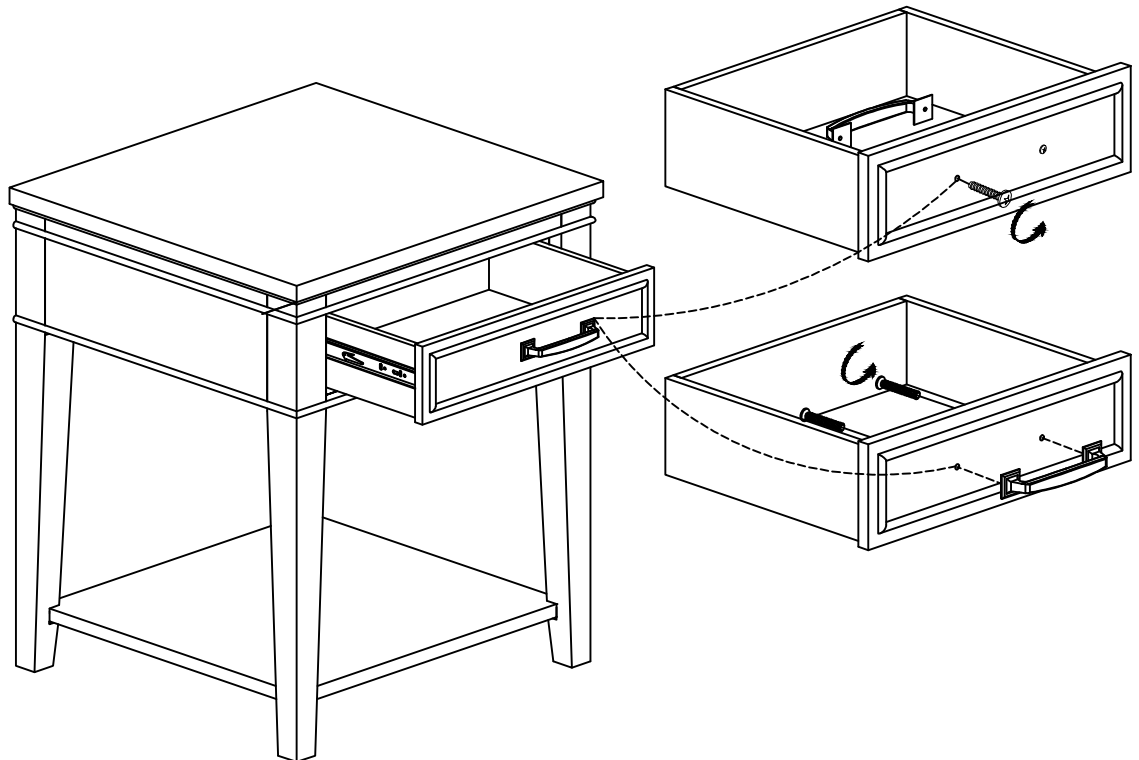
5



6



Handles intentionally placed backwards for shipping purposes. Please remove and re-install as pictured.



6-6