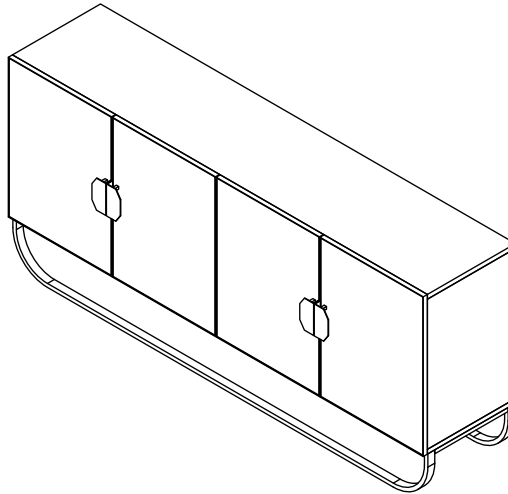


Assembly Instruction

Before installation, please read the assembly instructions carefully.



FOR SKUS

WF-W-1541B-K-GW-A/WF-W-1541B-K-BW-A

EN: We're here for you!

Please contact our customer care team before returning. We'll make it right for you.

ES: Estamos aquí para usted

Por favor, póngase en contacto con nuestro equipo de atención al cliente antes de regresar. Lo arreglaremos por ti.

Service Contact: contactus24service@gmail.com

Contacto de servicio: contactus24service@gmail.com

☎ Phone Number: 951-213-4742

☎ Número de teléfono: 951-213-4742

WARNING!

EN: For your safety and to ensure proper use, please follow the provided instructions carefully. Incorrect assembly or handling may cause damage to the product or result in injury.

ES: Para su seguridad y para garantizar el uso correcto, siga las instrucciones proporcionadas cuidadosamente. El montaje o manejo incorrectos pueden causar daños al producto o resultar en lesiones.



ASSEMBLY INSTRUCTIONS



BEFORE YOU START

- En: Read the instructions thoroughly
ES: Lea las instrucciones a fondo
- EN: Confirm parts and hardware.
ES: Confirme las piezas y el hardware.
- EN: A mild odor may occur due to packaging -it will fade after a few days.
ES: Un olor suave puede ocurrir debido al envasado - se desvanecerá después de unos días.



SAFETY TIPS



EN: Avoid over-tightening the screws.
ES: Evite apretar demasiado los tornillos.



EN: Avoid using power tools.
ES: Evite el uso de herramientas eléctricas.



EN: Estimated Time **60 minutes**
ES: Tiempo estimado **60 minutos**



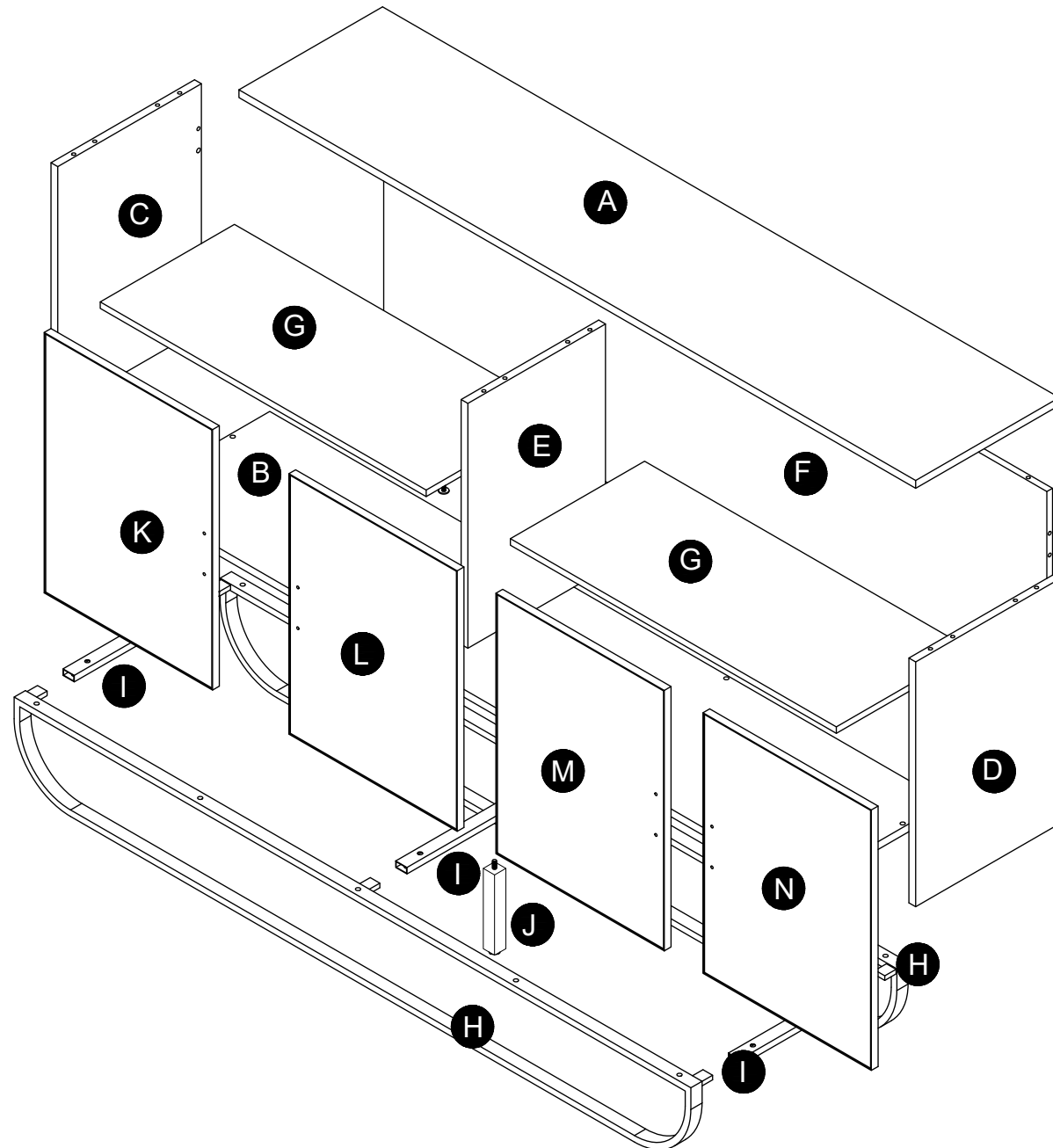
EN: Installers Required **2 people**
ES: Instaladores Requeridos **2 personas**



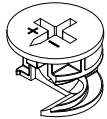


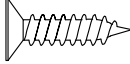
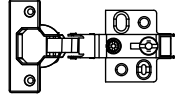
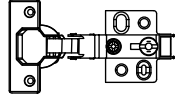

EN: Difficulty
ES: Dificultad
★★★★☆

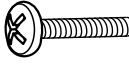
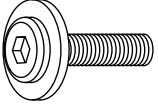
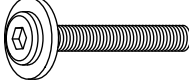
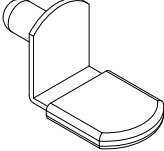

Parts Identification

Not actual size



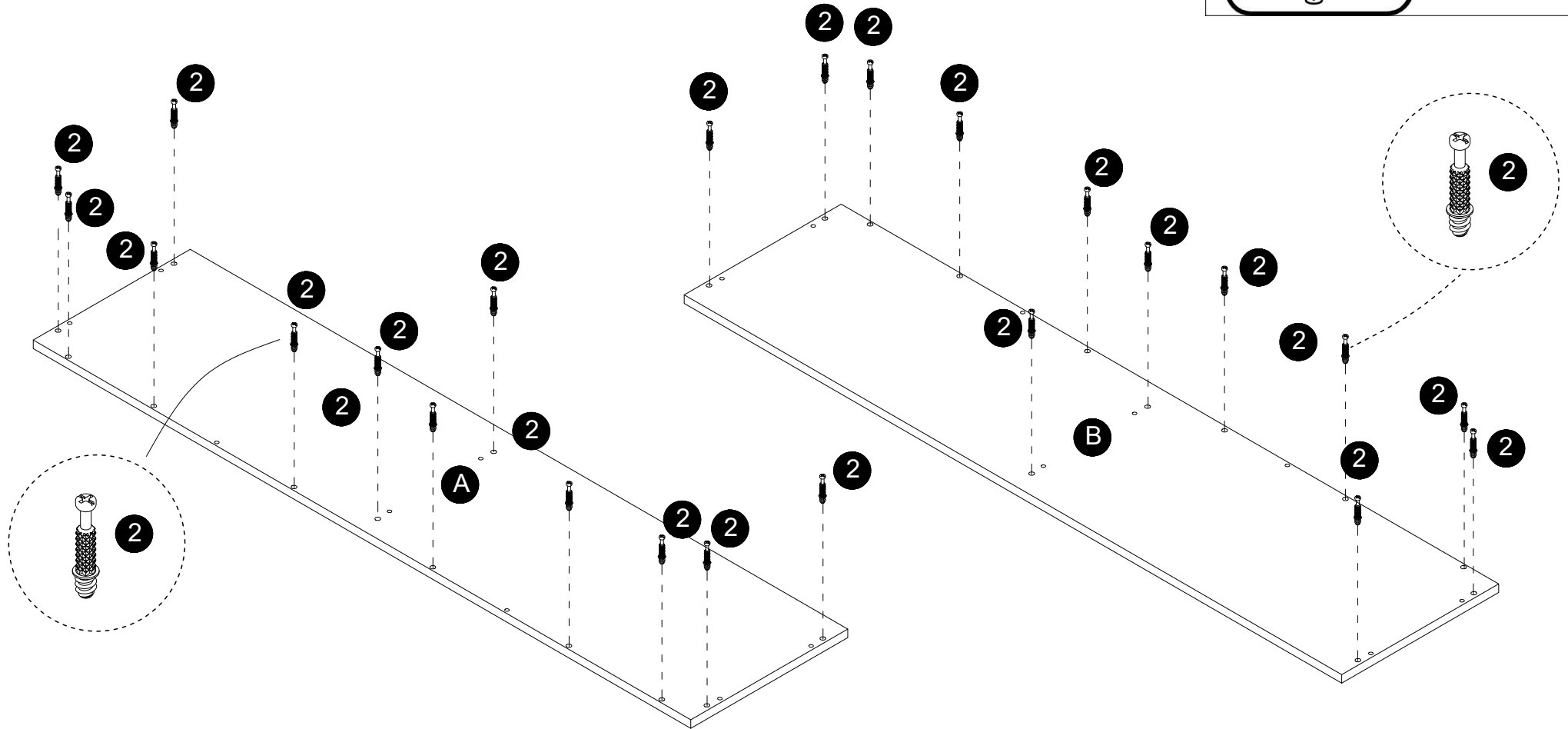
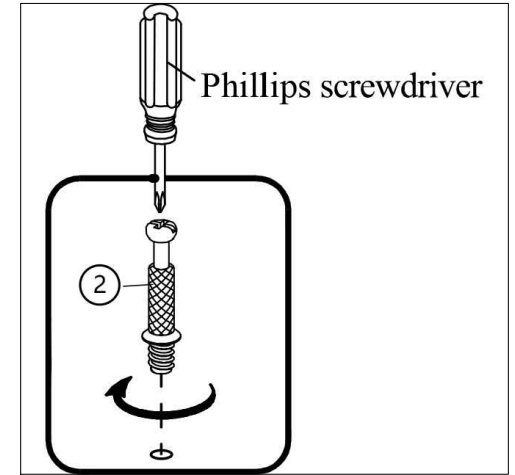
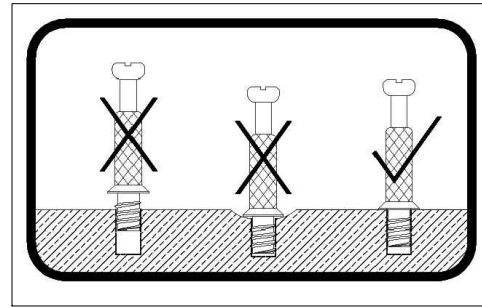
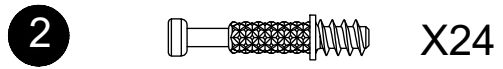
PART LIST

LABEL	PICTURE	SPEC	QTY
1		15x12 mm Cam Lock	28 + 1 extra
2		6x34 mm Cam Bolts	28 + 1 extra
3		Ø8x30 mm Wood Dowel	20 + 1 extra
4		M3.5 x15 mm Flat Head Screw	48 + 1 extra
5		Hinge A	4
6		Hinge B	4
7		Handle	4

LABEL	PICTURE	SPEC	QTY
8		M5x25 mm HANDLE SCREW	8
9		JCB M6x12	6
10		JCB M6x30	16
11		Shelf Support	8
12		Allen wrench M4x60	1

INSTALLATION STEPS

Step 1

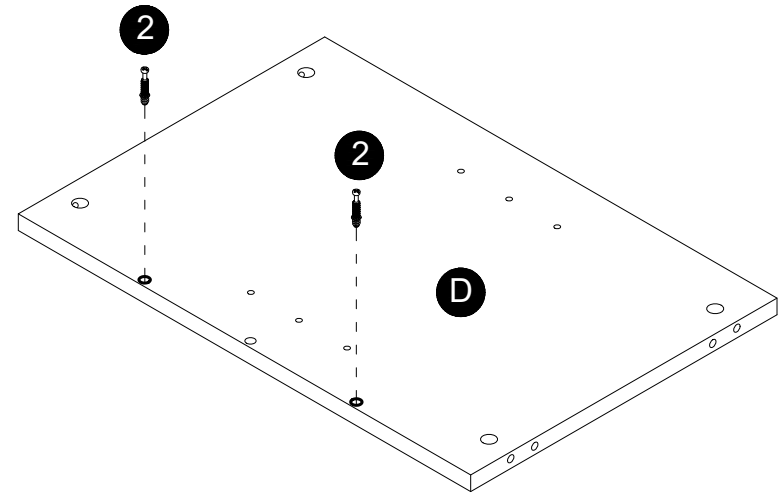
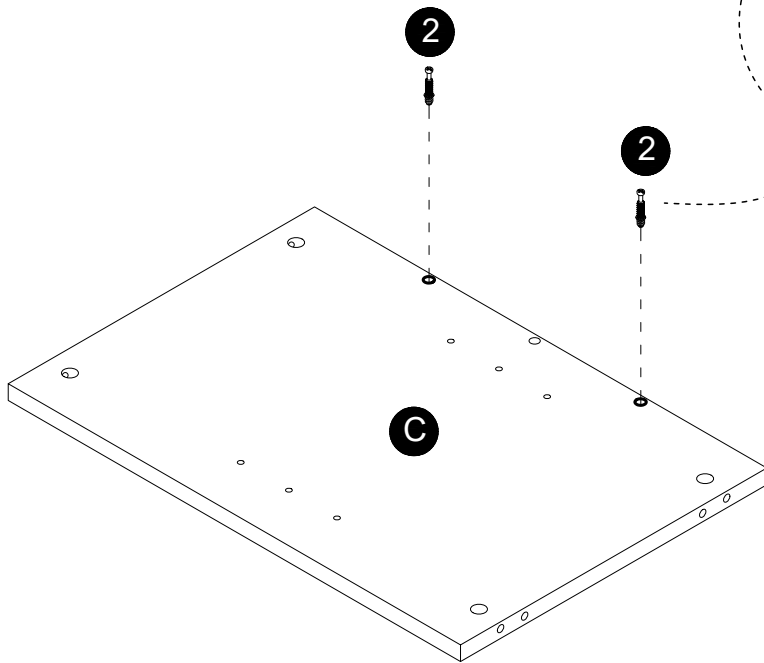
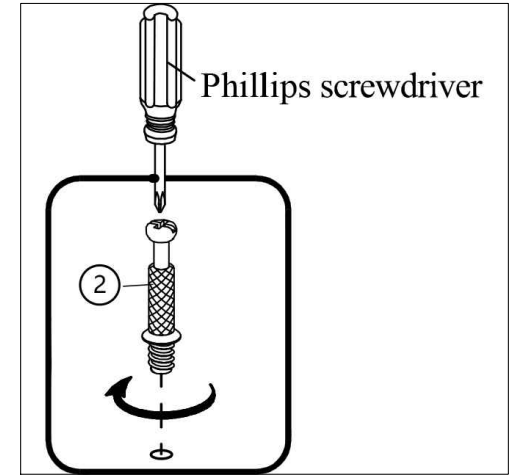
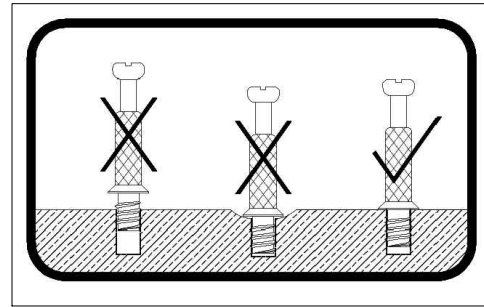


Step 2

2

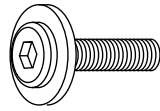


X4

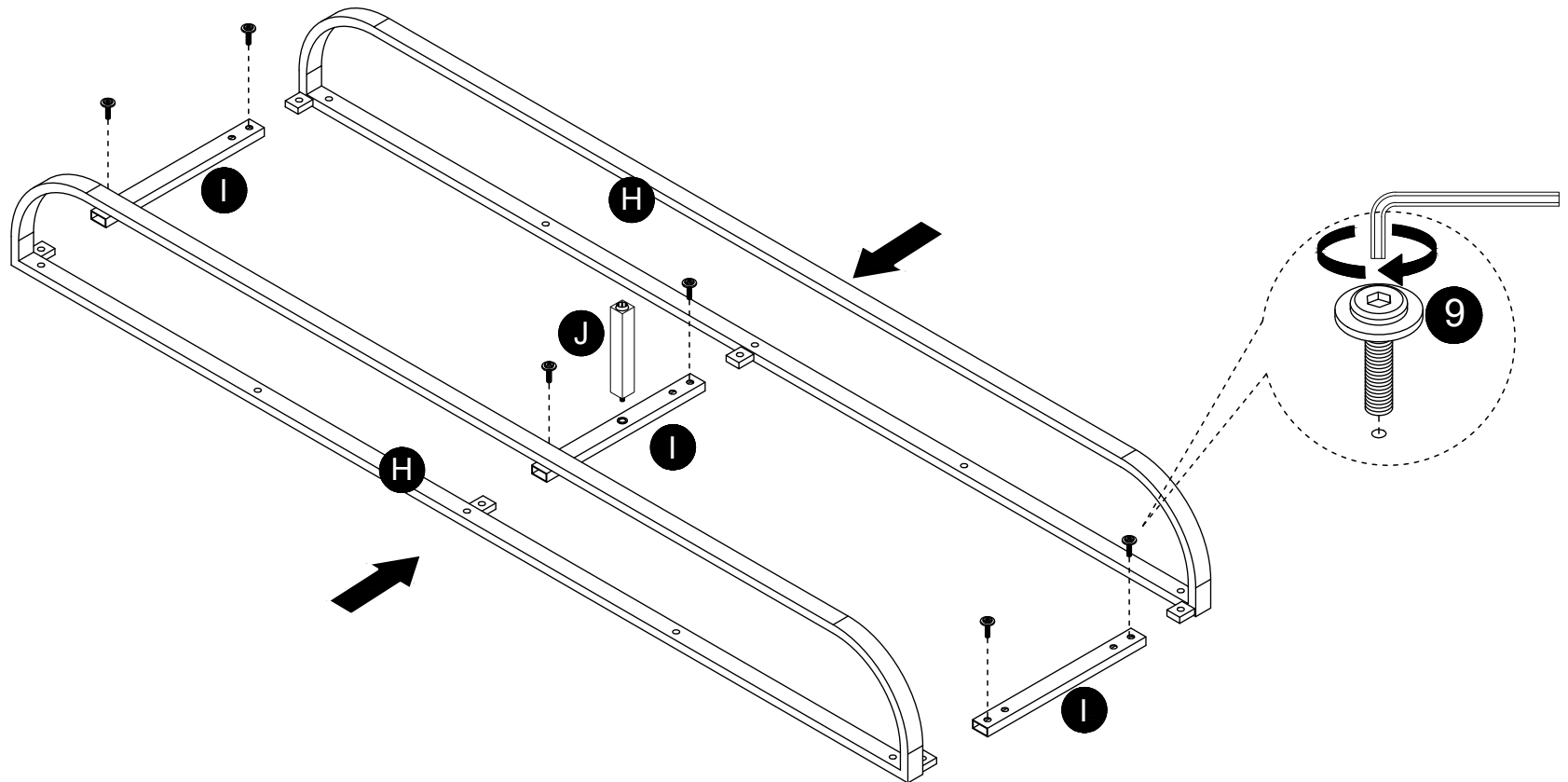


Step 3

9

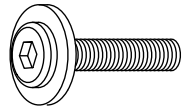


X6

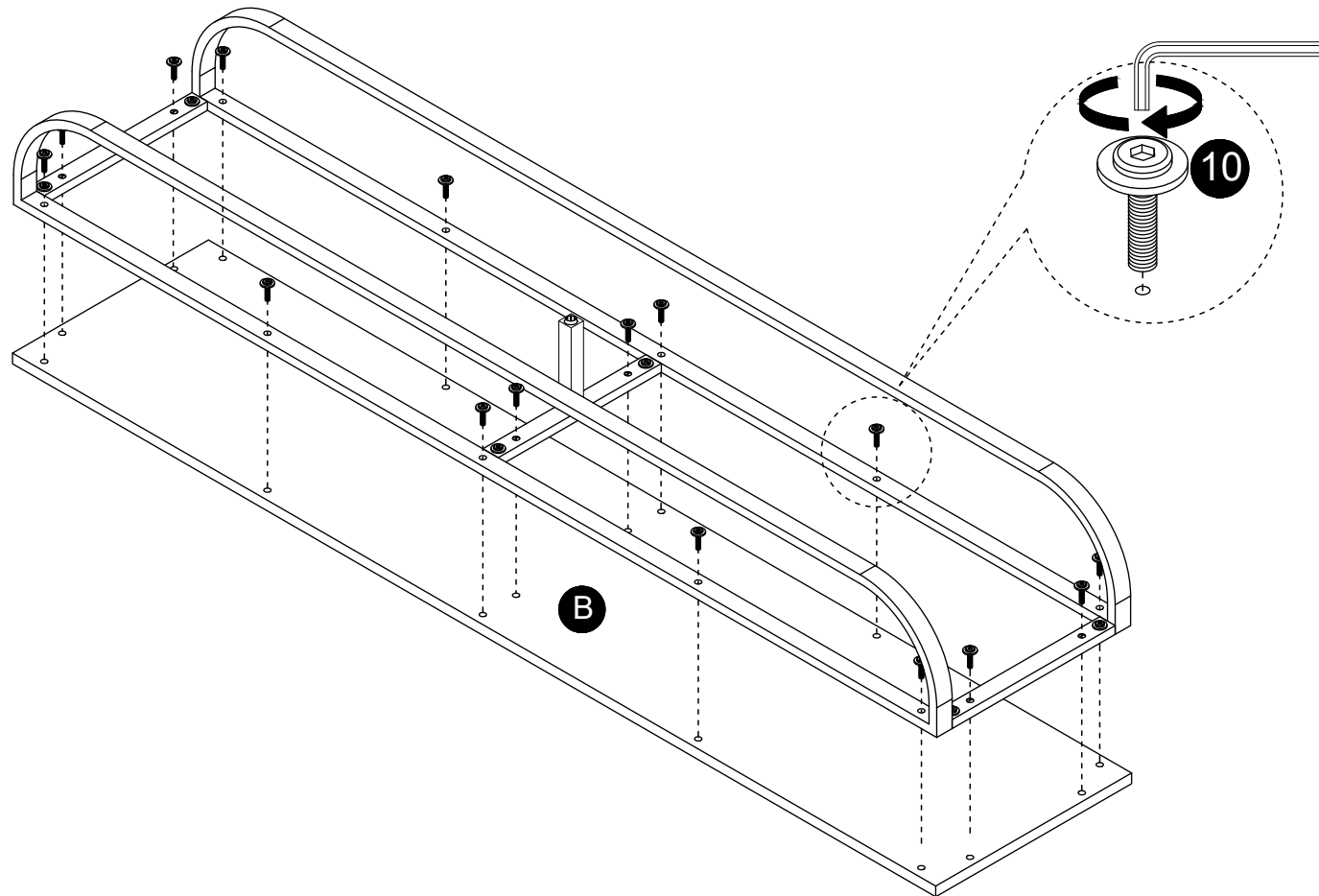


Step 4

10



X16



Step 5

1

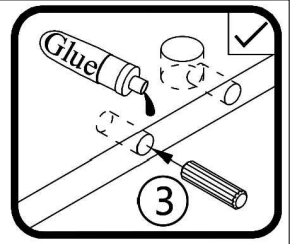
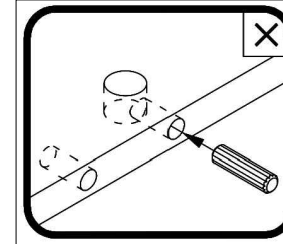
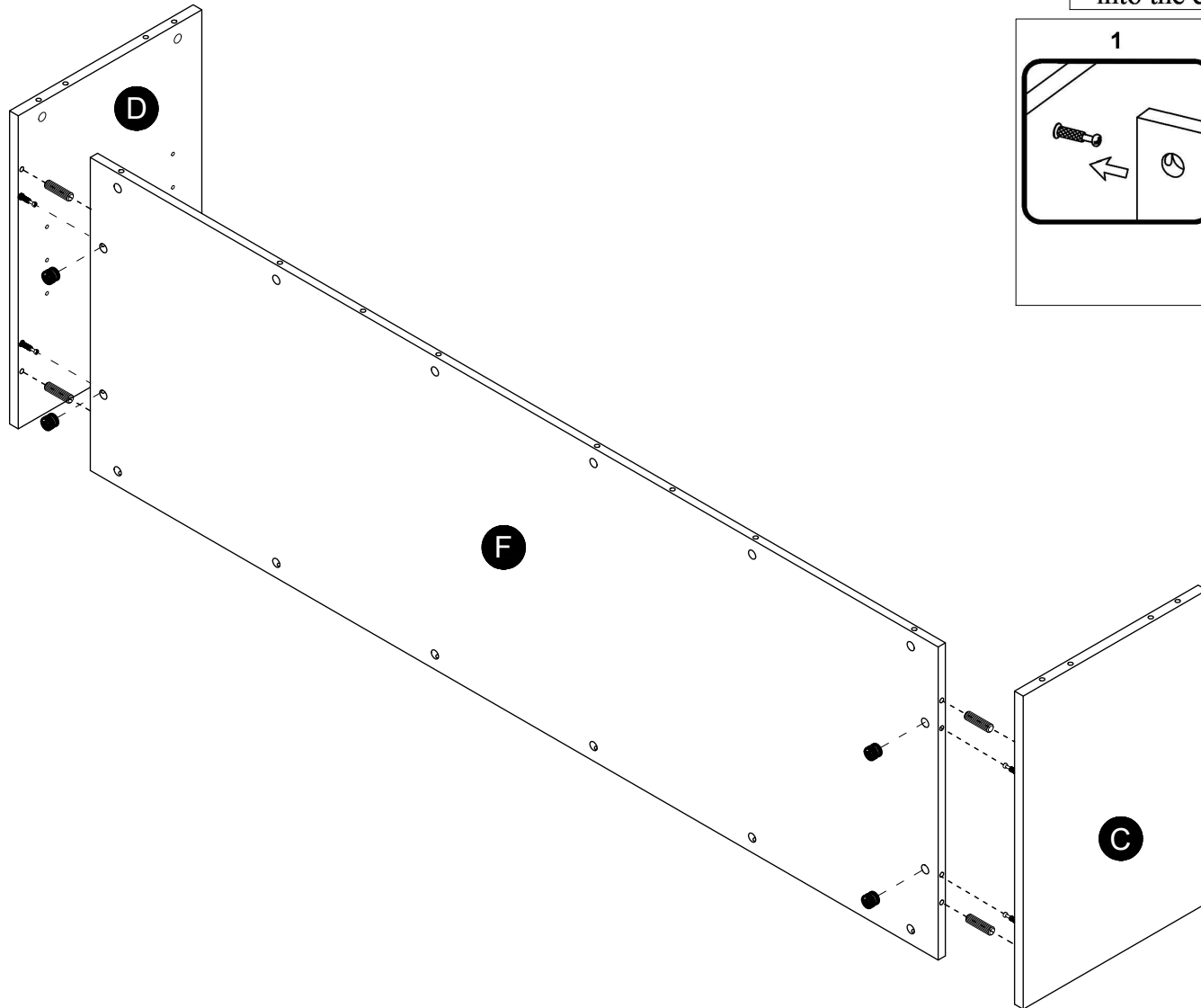


X4

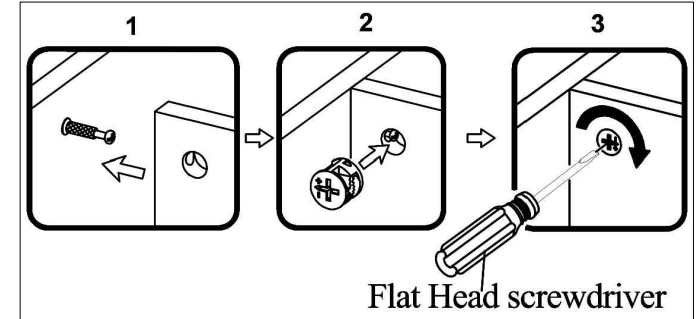
3



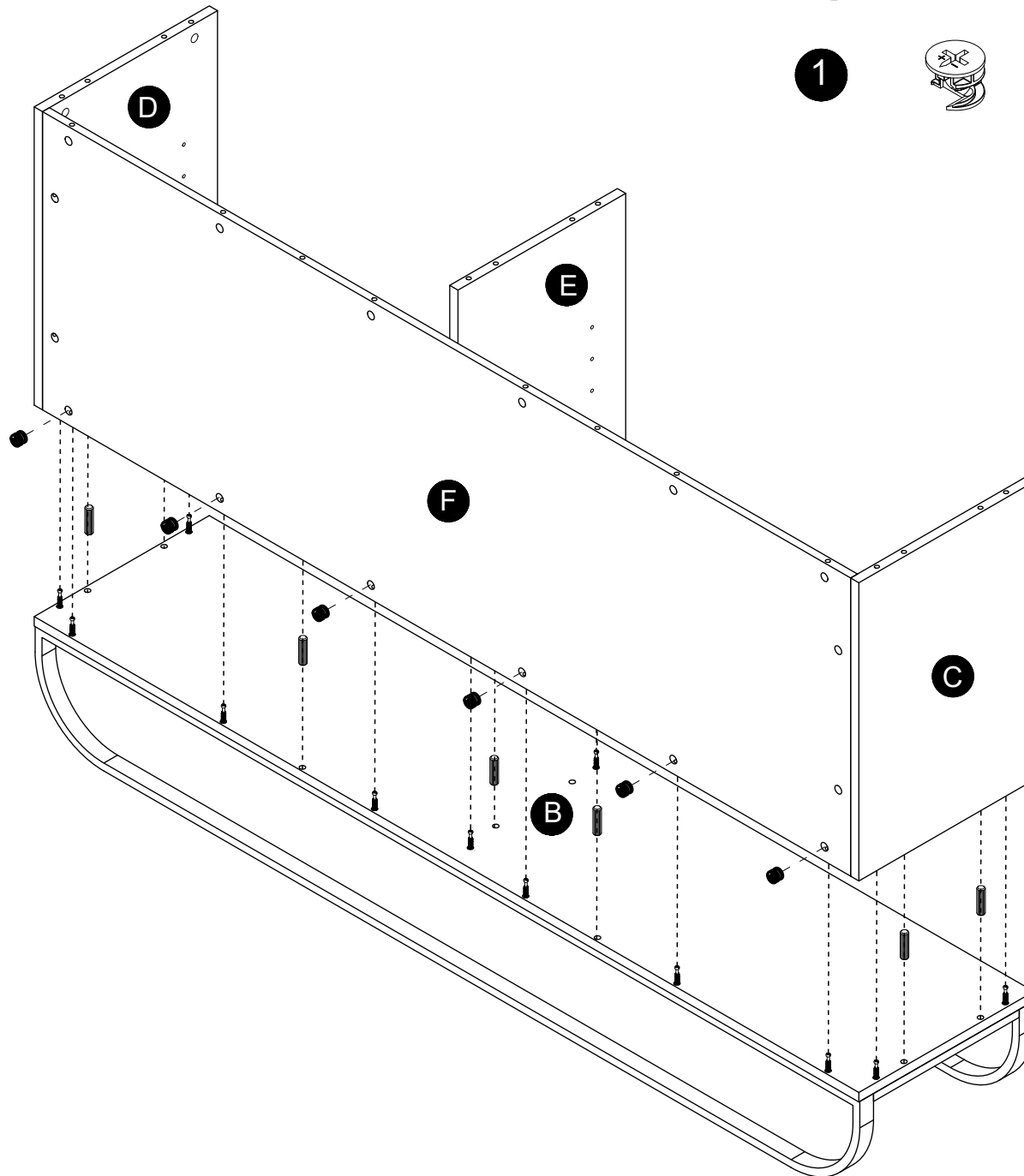
X4



NOTE: DO NOT insert the wood dowels into the cam bolts holes.



Step 6



1

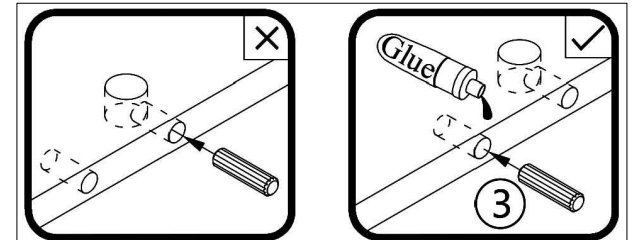


X6

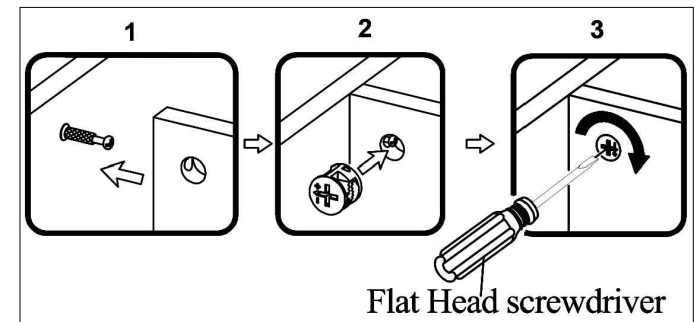
3



X8



NOTE: DO NOT insert the wood dowels into the cam bolts holes.



Step 7

1

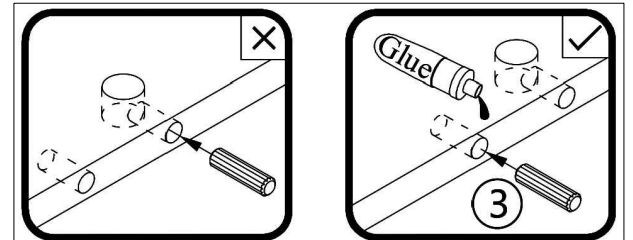
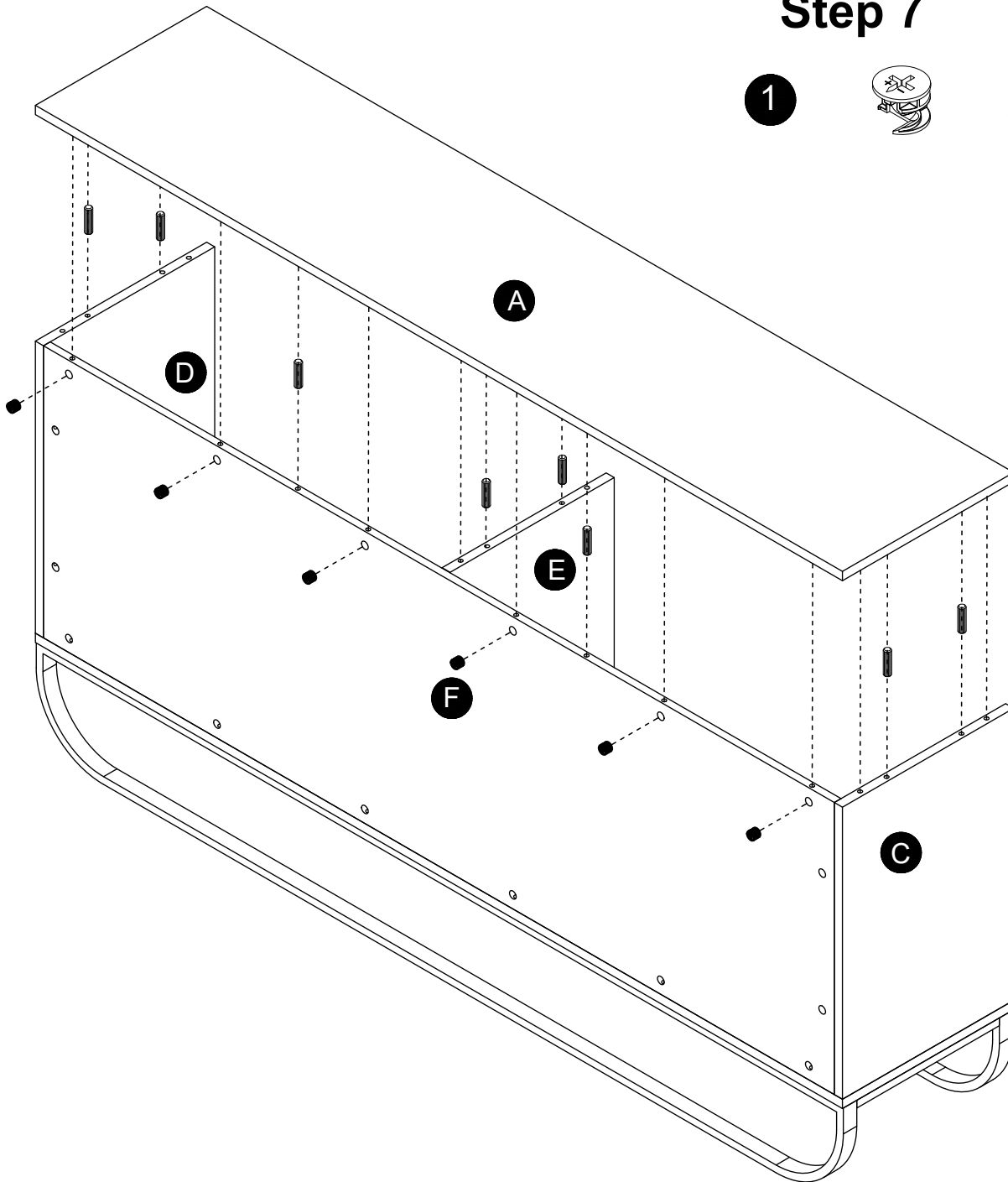


X6

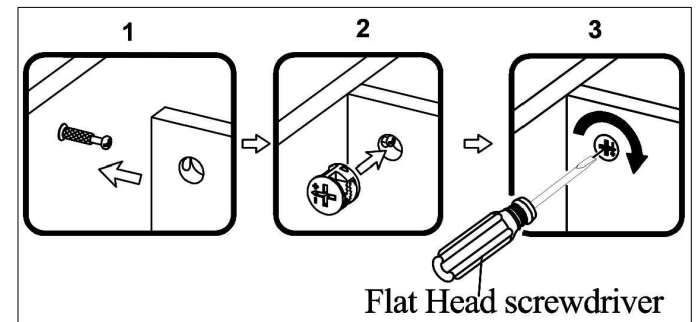
3



X8



NOTE: DO NOT insert the wood dowels into the cam bolts holes.

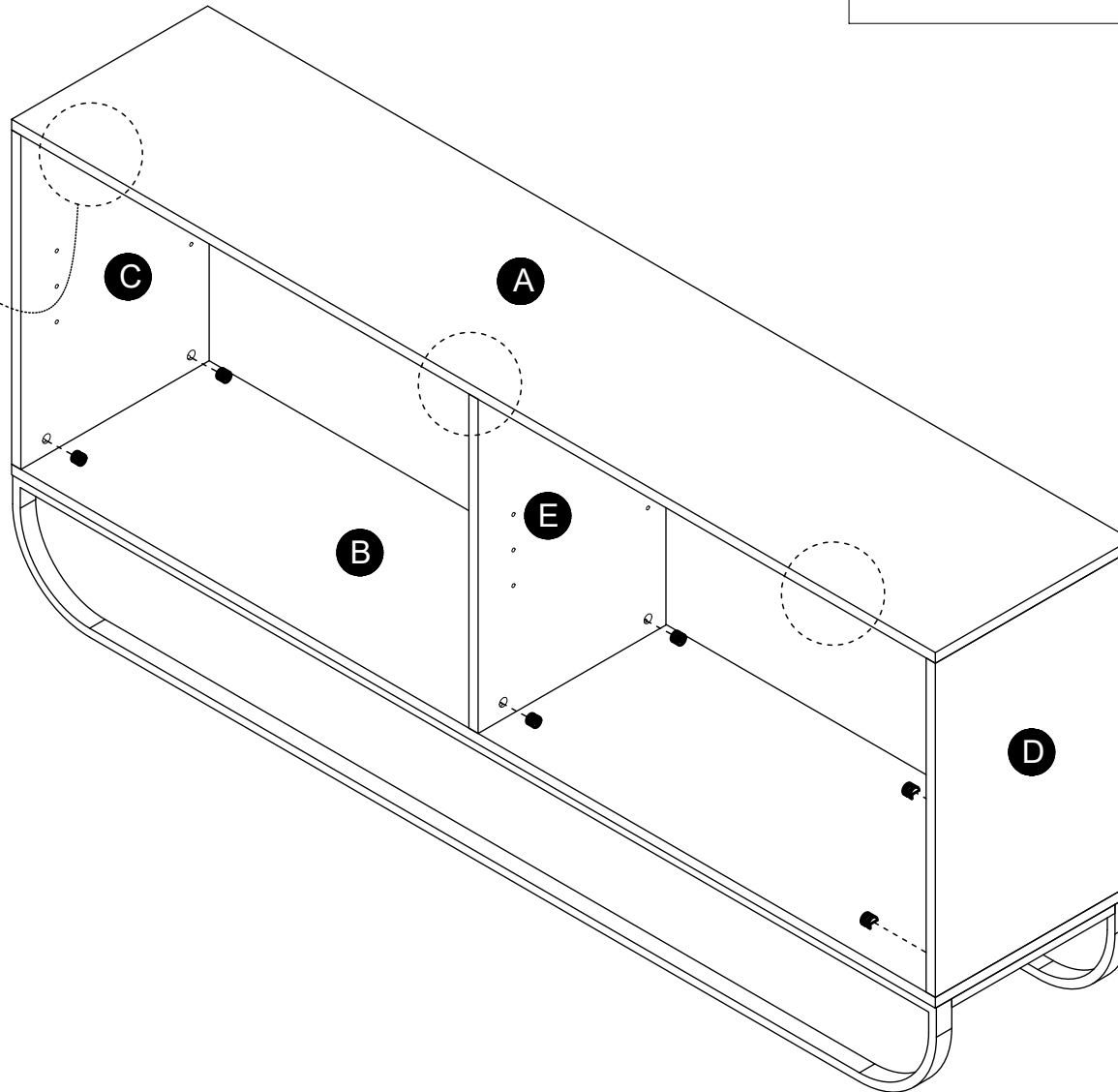
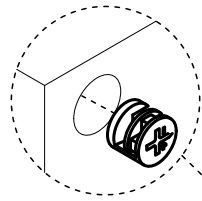
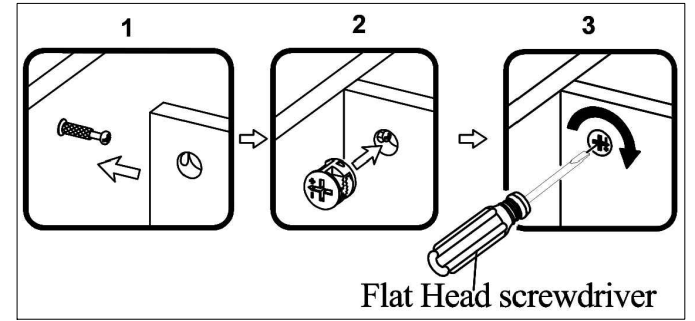


Step 8

1



X12

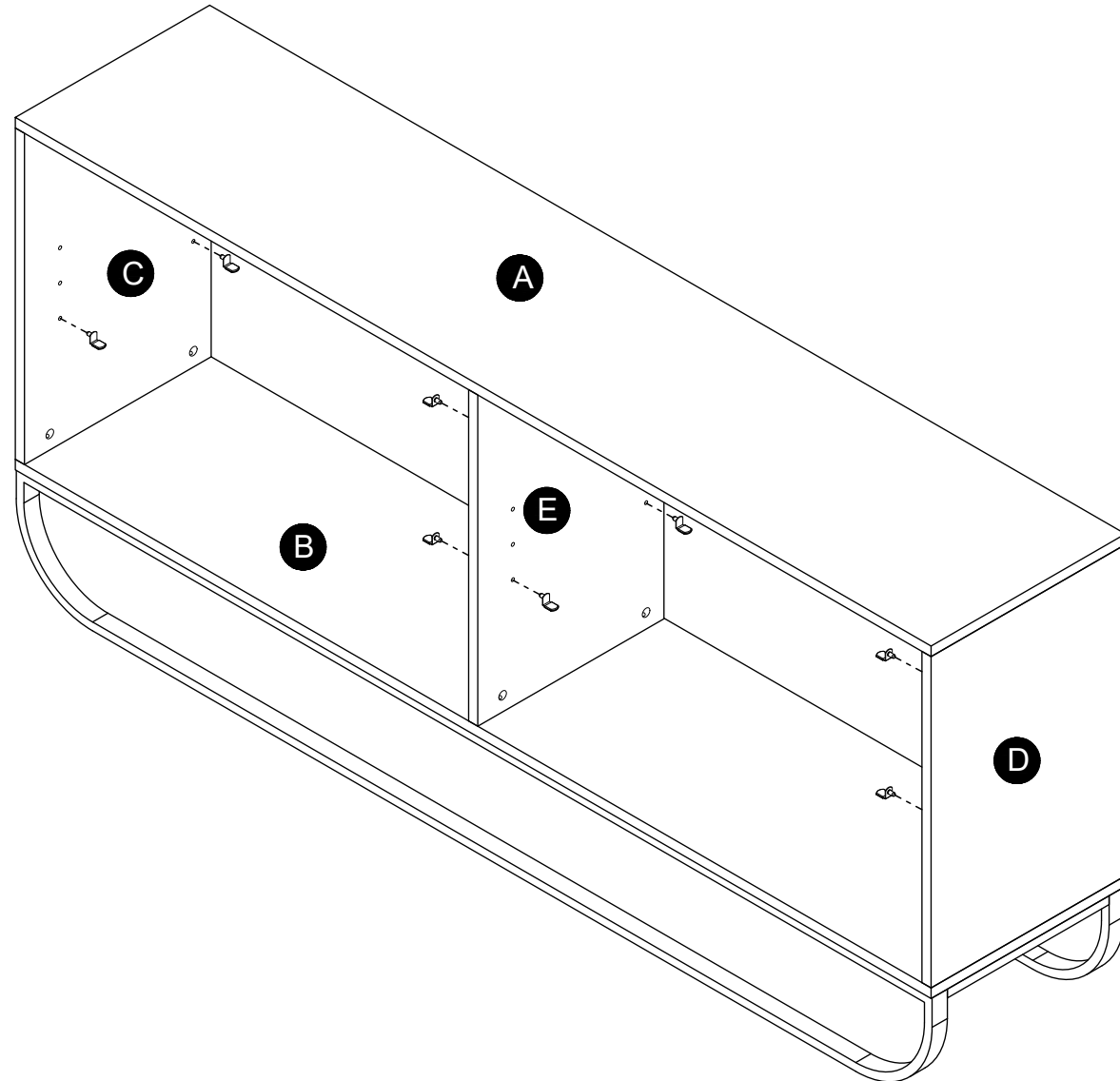


Step 9

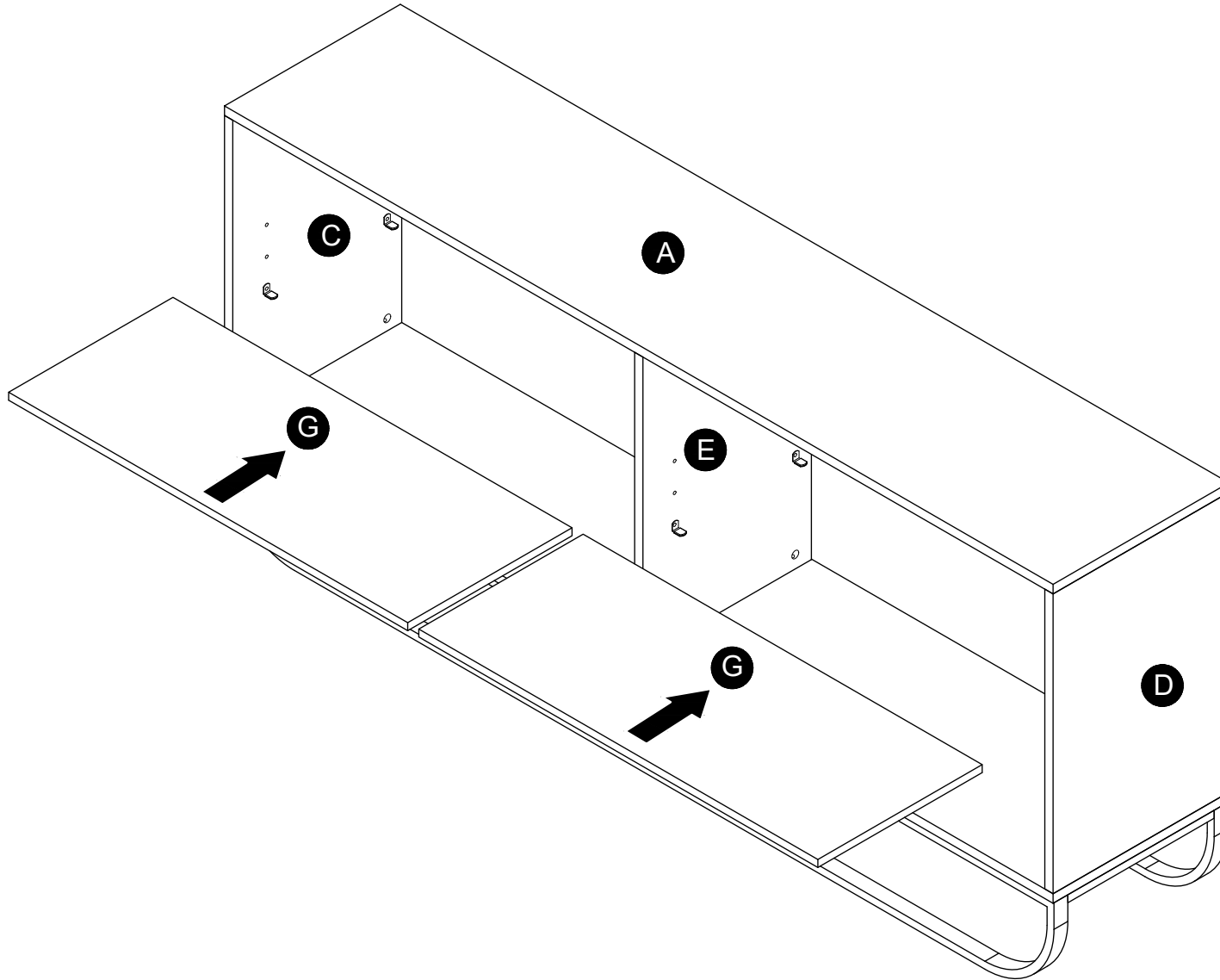
11



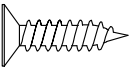
X8

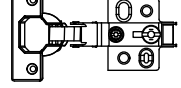


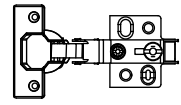
Step 10

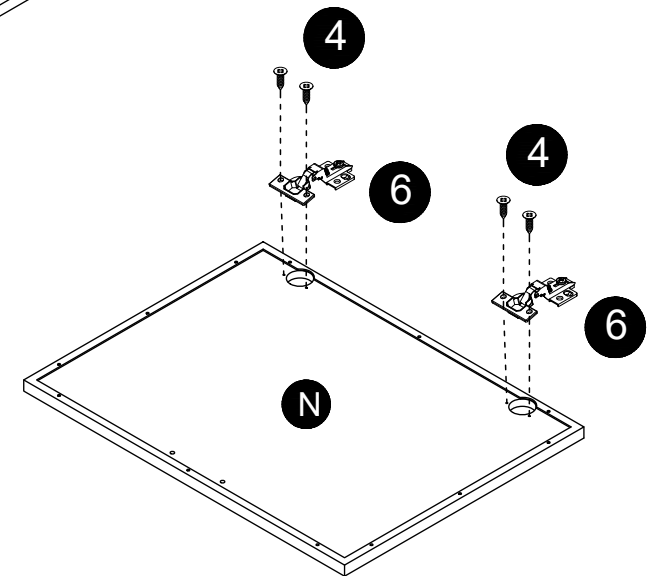
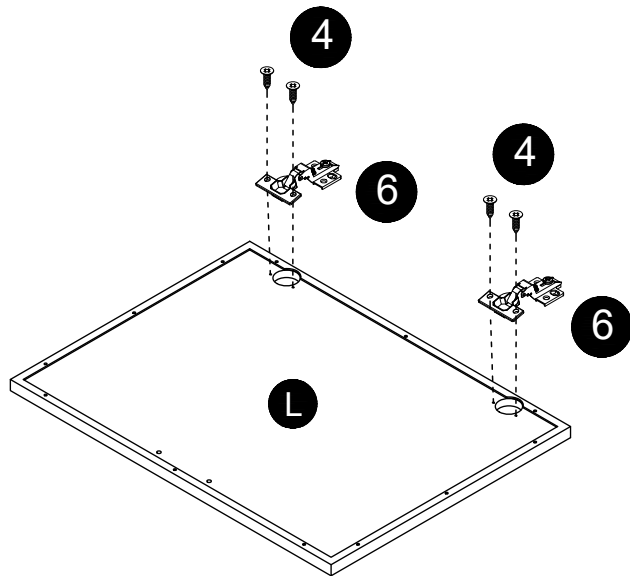
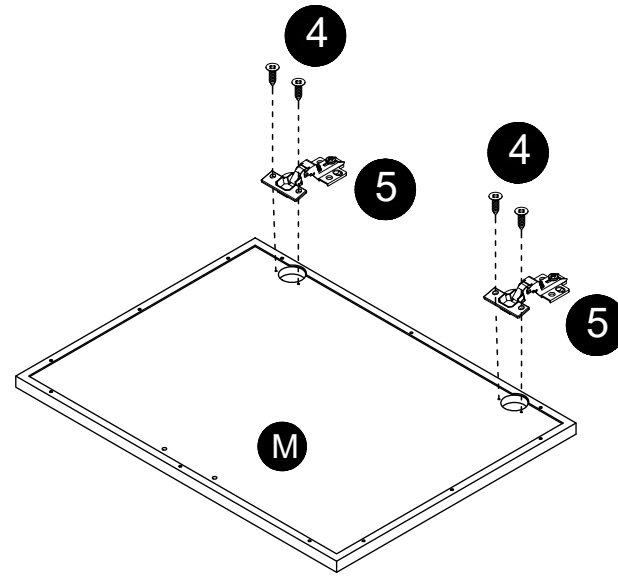
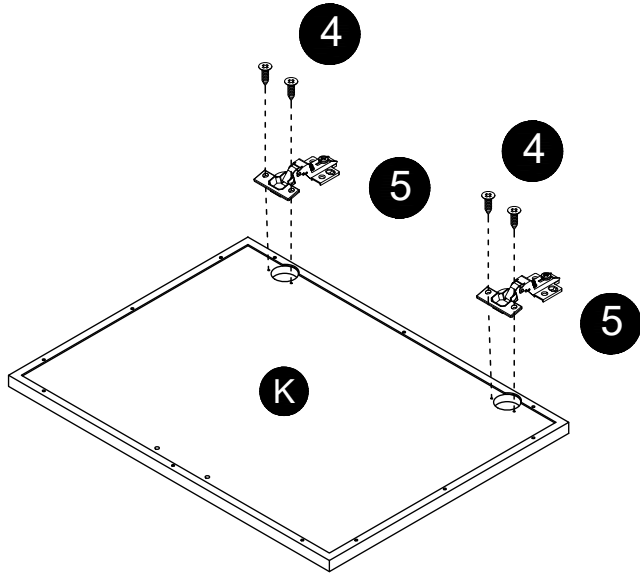


Step 11

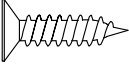
4  X16


5  X4

6  X4

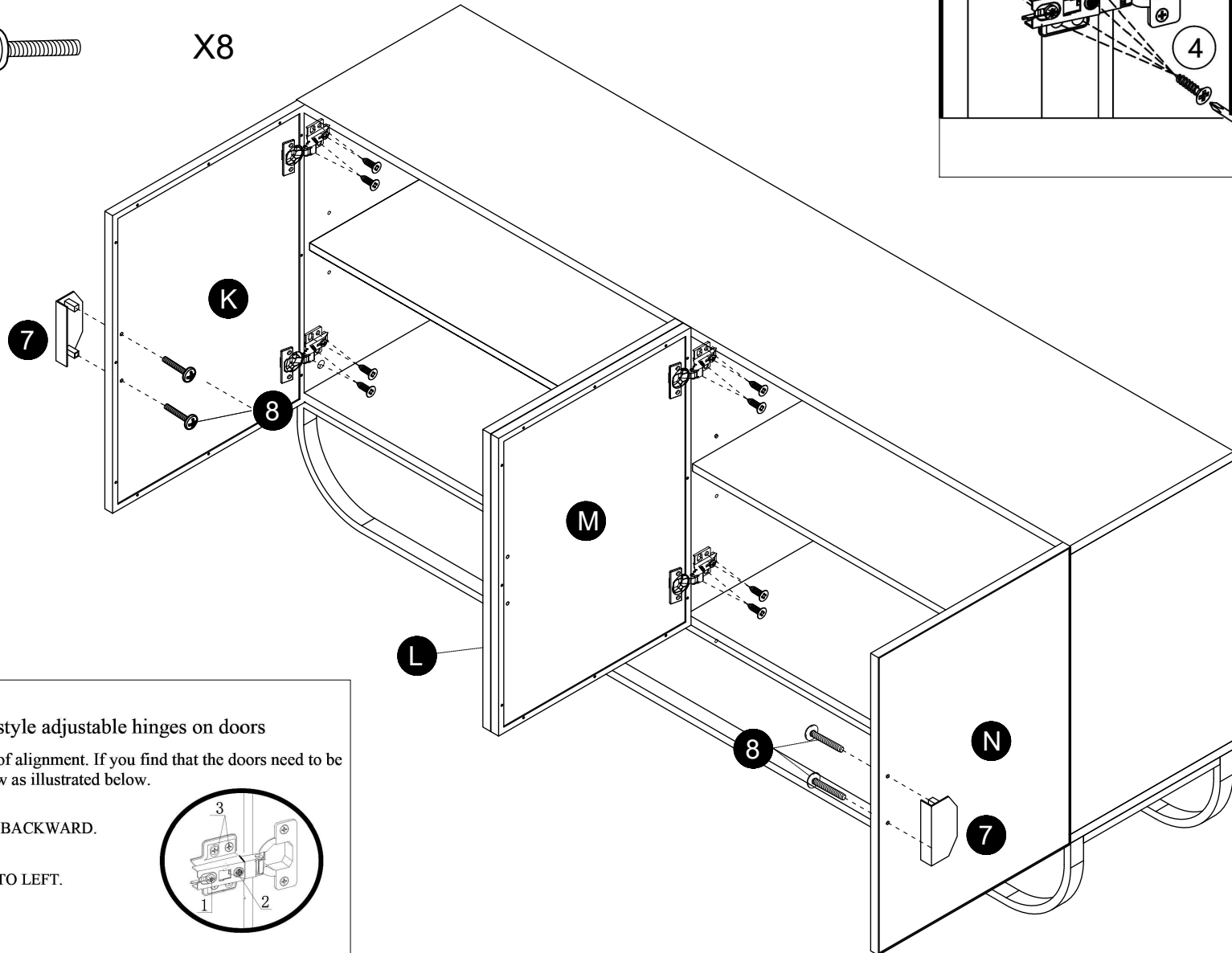
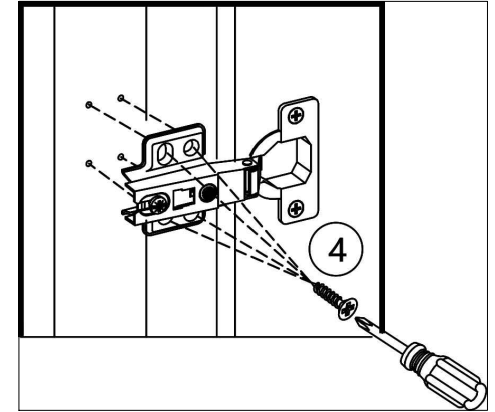


Step 12

4  X32

7  X4

8  X8



How to adjust the Euro-style adjustable hinges on doors

Shipping may cause doors to become out of alignment. If you find that the doors need to be adjusted slightly, turn the appropriate screw as illustrated below.

1. TO ADJUST THE DOOR FORWARD OR BACKWARD.

2. TO ADJUST THE DOOR TO RIGHT OR TO LEFT.

3. TO ADJUST THE DOOR UP OR DOWN.

