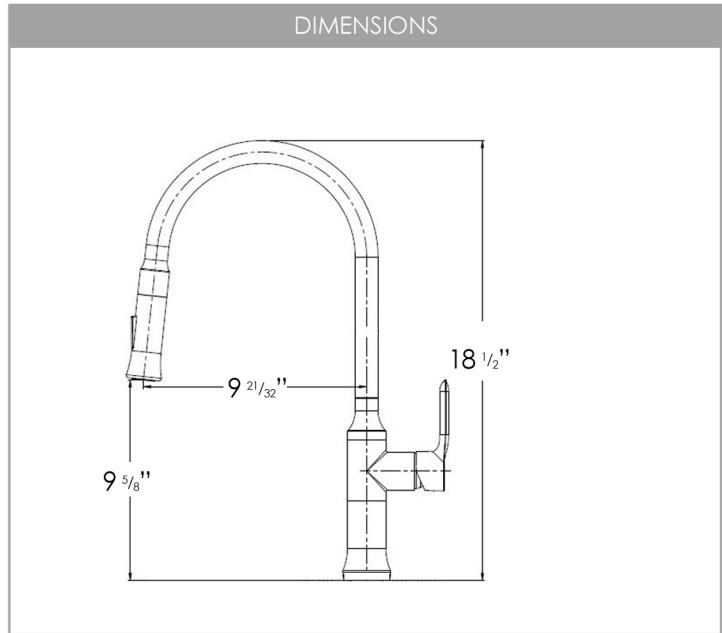




**FORLI**

**K-137**

PULL DOWN WITH DUAL FUNCTION KITCHEN FAUCET



**RECOMMENDED ACCESSORIES**

A-803  
FAUCET PLATE

S-01  
SOAP DISPENSER

**HANDLE TYPE**

LEVER

**NUMBER OF HANDLE**

1

**CARTRIDGE MODEL**

**Kerox®**

SIZE: 35 mm  
STYLE: LEVER

**SPRAY SETTINGS**

SPRAY WATER FLOW / AERATED STREAM

**FAUCET FINISH**

STAINLESS  
STEEL (S)

MATTE  
BLACK (N)

**PRODUCT DIMENSIONS**

Faucet Height (in)	18 1/2"
Spout Height (in)	9 5/8"
Spout Reach (in)	9 21/32"

**CONFIGURATION**

1-HOLE
3-HOLE

**SPOUT SWIVEL (DEGREES)**

360°

**MATERIAL**

**SUS 304**

STAINLESS STEEL

**CUT OUT HOLE**

1 1/2"

**DECK PLATE**

NO INCLUDED.  
REQUIRED FOR 3  
HOLE INSTALLATION

**WATER FLOW**

1.5

WATER FLOW RATE  
(GPM)

**WATERLINES MODEL**

CONNECTIONS 3/8"

**WARRANTY**

This product is covered by a limited lifetime warranty.  
Consult our website for complete details.

**PRODUCT CARE**

- Wipe faucet with damp cloth and mild household cleanser.
- Dry with soft cloth to maintain original appearance.
- Remove hard water stains with 50/50 solution vinegar and water.
- If mineral deposits are too hard to remove, specially in the aerator, unscrew aerator by hand or with tool provided with faucet, soak aerator in 50/50 vinegar and water solution for several hours, rub your fingers and use a tooth brush to remove mineral deposits, place aerator back into original position.

**STANDARDS COMPLIANCE**

C

AERATOR  
**Neoperl®**