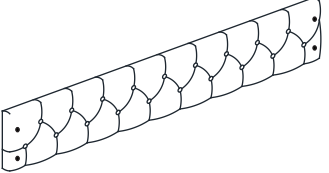
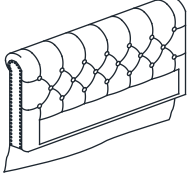
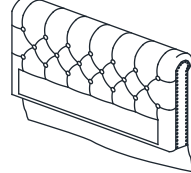
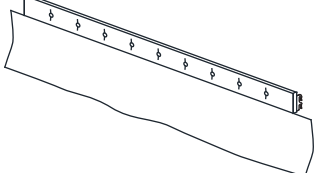
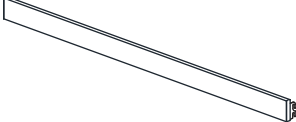
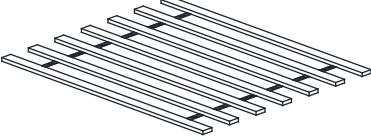
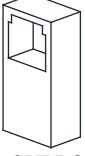
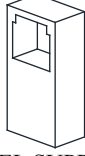

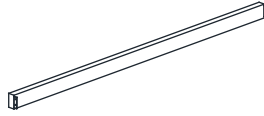
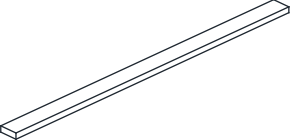


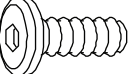

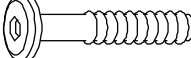
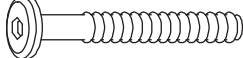




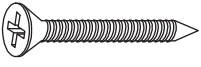



ASSEMBLY INSTRUCTION

PARTLIST

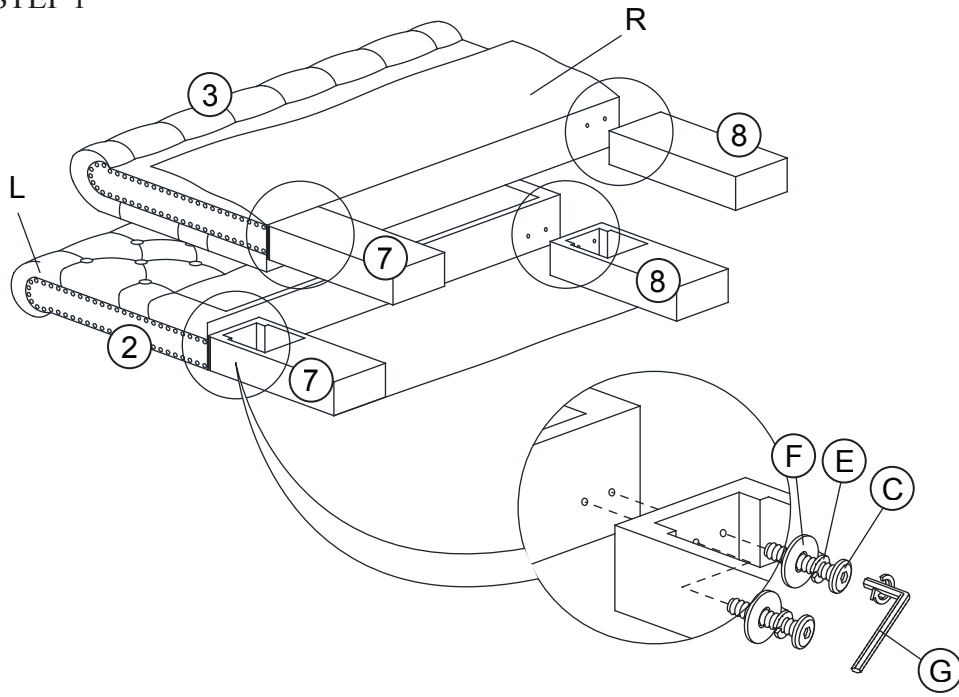
<p>1</p>  <p>BACK PANEL x1</p>	<p>2</p>  <p>SIDE PANEL (L) x1</p>	<p>3</p>  <p>SIDE PANEL (R) x1</p>	<p>4</p>  <p>FRONT RAIL x1</p>	<p>5</p>  <p>BACK RAIL x1</p>
<p>6</p>  <p>ROLL SLAT x2</p>	<p>7</p>  <p>SIDE PANEL SUPPORT WITH FABRIC x2</p>	<p>8</p>  <p>SIDE PANEL SUPPORT WITH WOVEN x2</p>	<p>9</p>  <p>TRUNDLE RAIL x2</p>	<p>10</p>  <p>TRUNDLE SIDE RAIL x2</p>
<p>11</p>  <p>TRUNDLE SLAT x12</p>	<p>12</p>  <p>SOCKET x24</p>	<p>13</p>  <p>CASTLE WITH BRAKE x4</p>		

HARDWARE

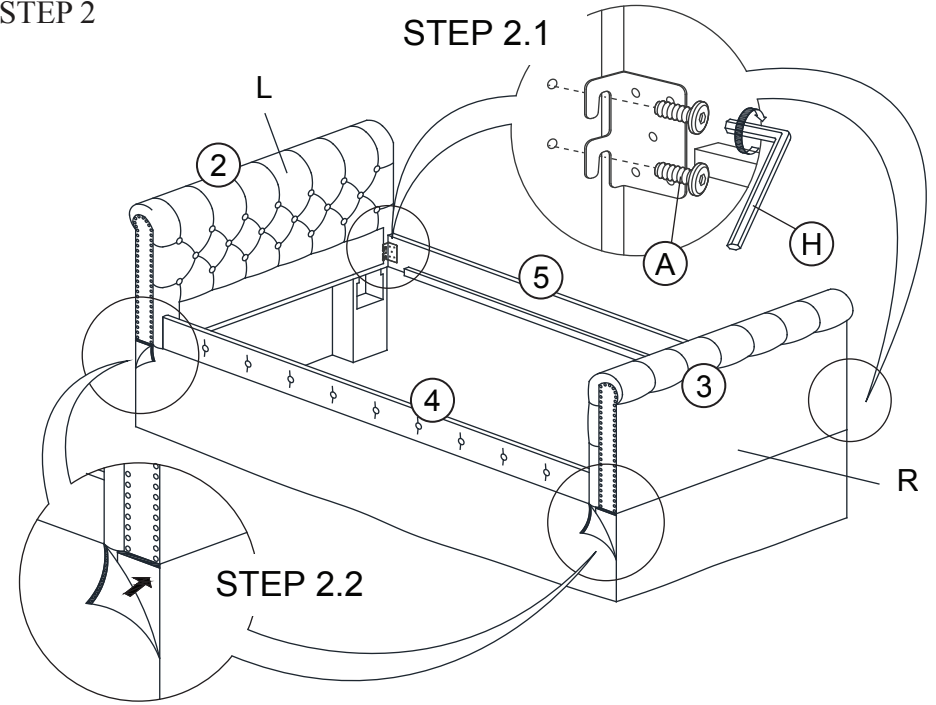
<p>A</p>  <p>JCBB SCREW M8 x 20MM x8</p>	<p>B</p>  <p>JCBC SCREW M6 x 15MM x8</p>	<p>C</p>  <p>JCBC SCREW M6 x 35MM x8</p>	<p>D</p>  <p>JCBC SCREW M6 x 50MM x4</p>	<p>E</p>  <p>SPRING WASHER M6 x 12MM x12</p>
<p>F</p>  <p>FLAT WASHER M6 x 19MM x12</p>	<p>G</p>  <p>L - KEY M4 x 100MM x1</p>	<p>H</p>  <p>L - KEY M5 x 65MM x1</p>	<p>I</p>  <p>CSK C/B SCREW M4 x 32MM x8</p>	<p>J</p>  <p>SPANNER 14.3" x1</p>

ASSEMBLY INSTRUCTION

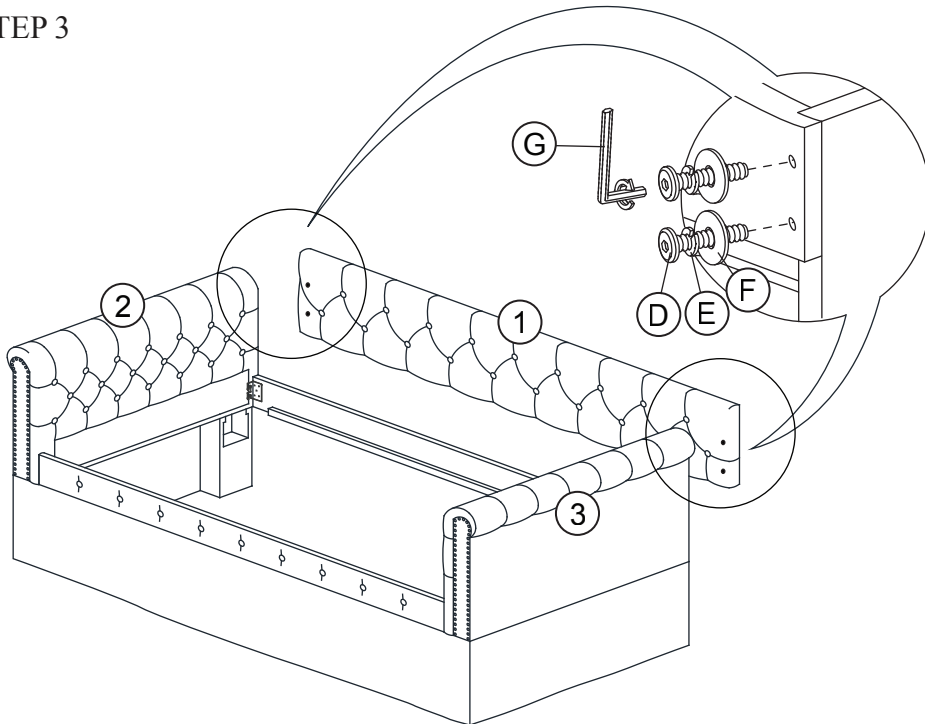
STEP 1



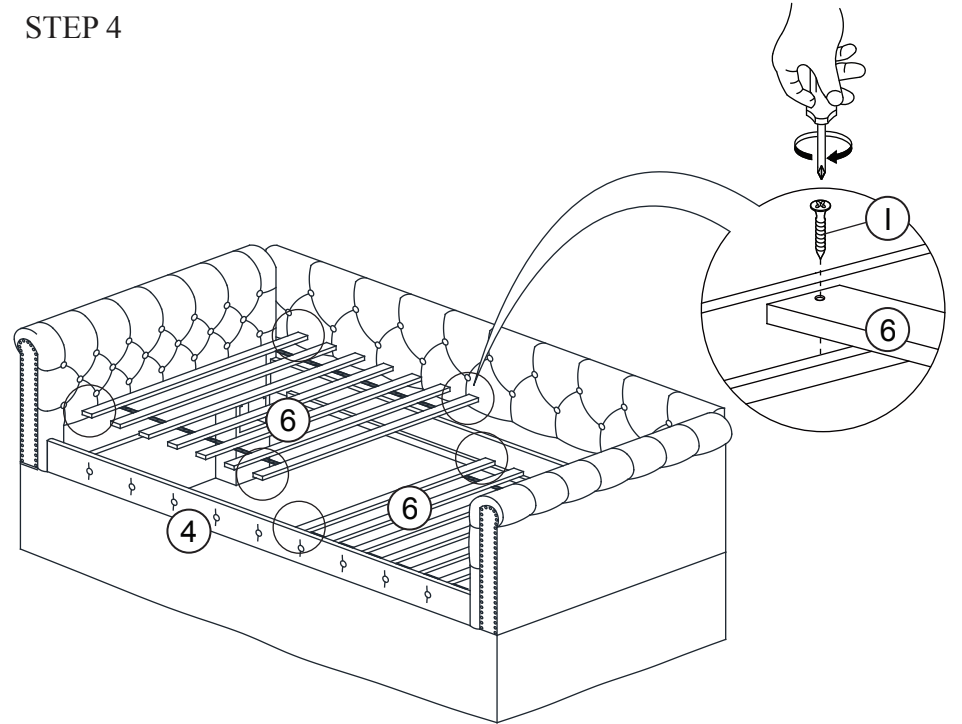
STEP 2



STEP 3

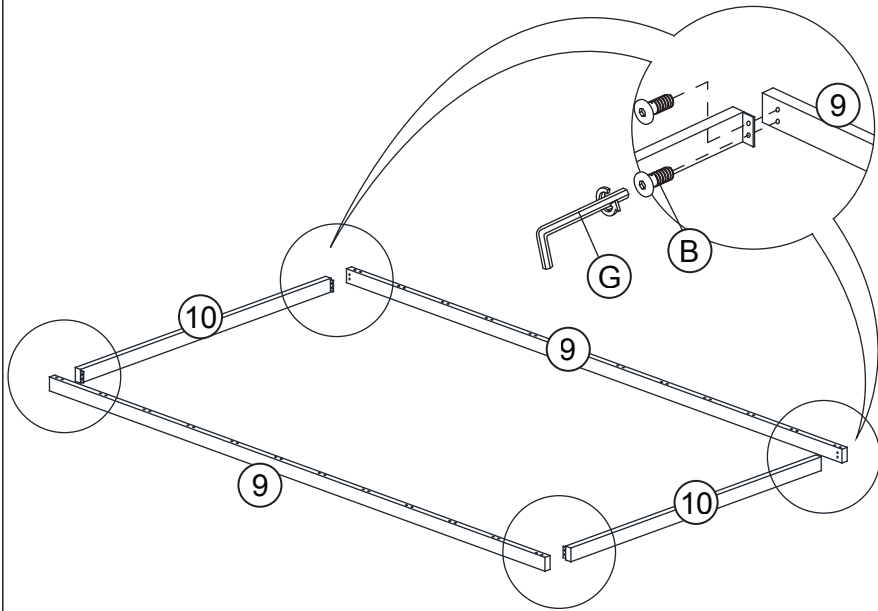


STEP 4

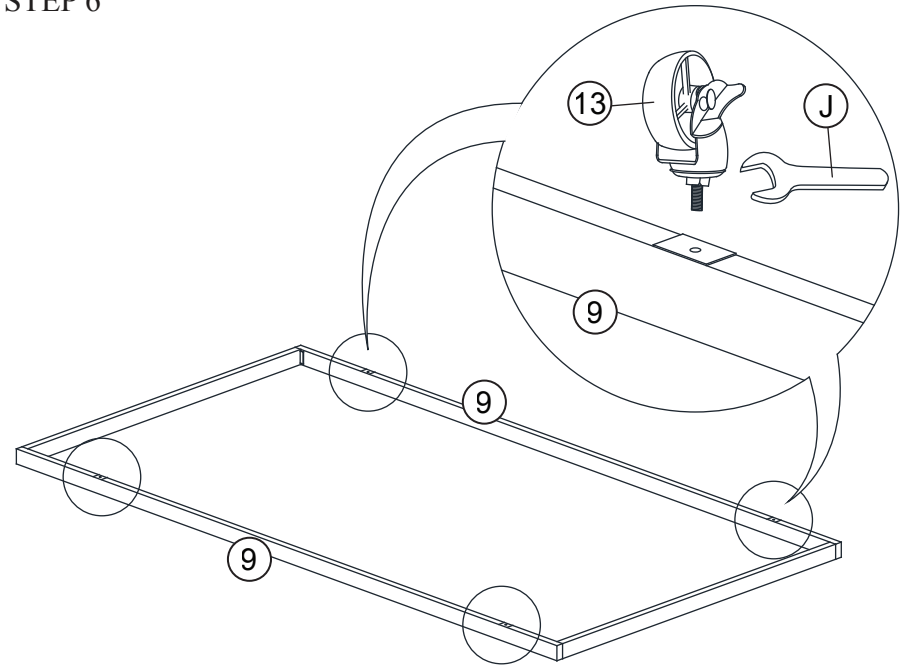


ASSEMBLY INSTRUCTION

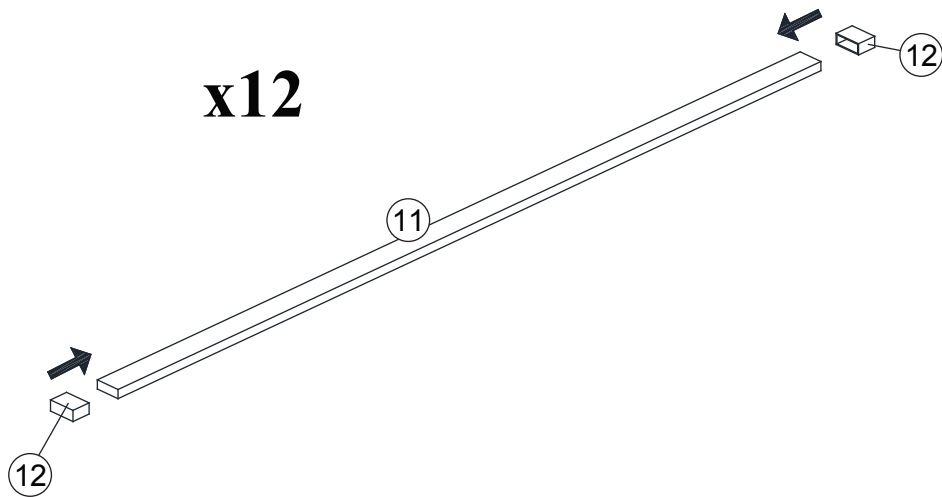
STEP 5



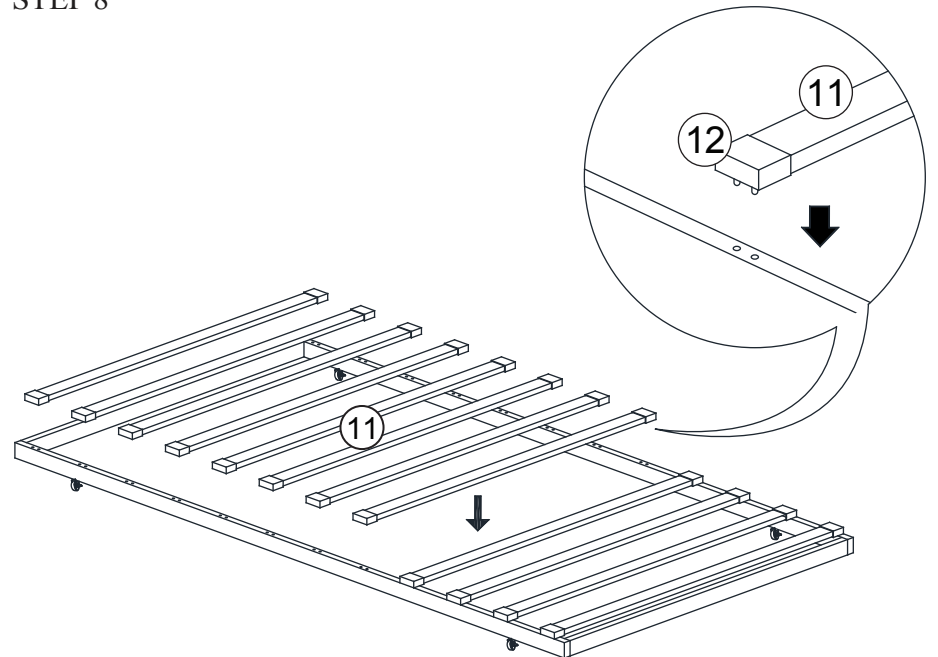
STEP 6



STEP 7

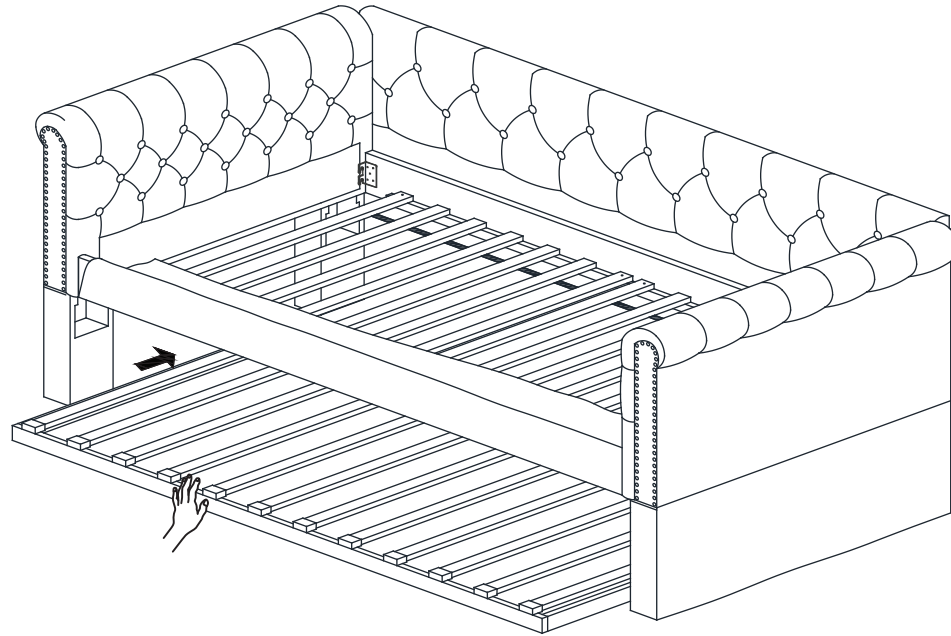


STEP 8

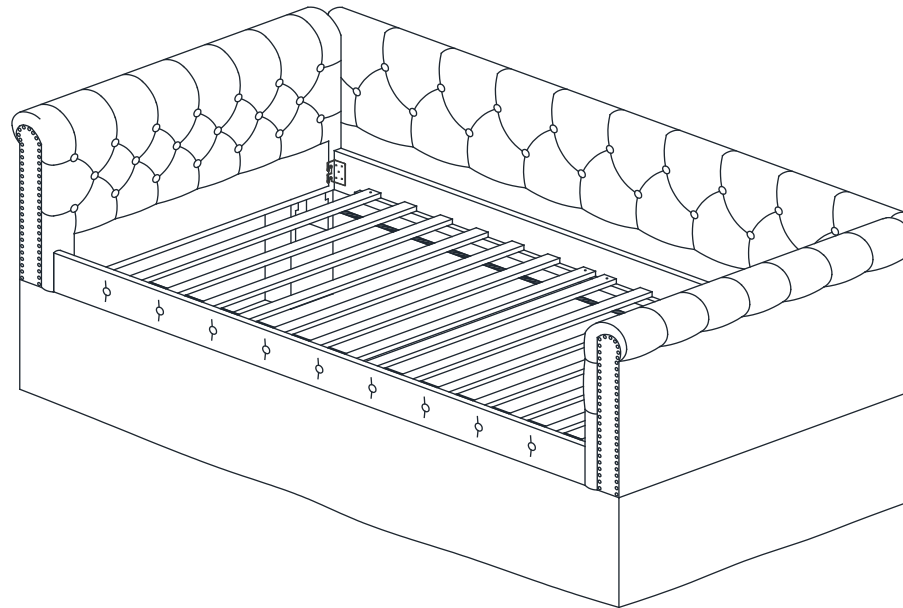


ASSEMBLY INSTRUCTION

STEP 9



STEP 10



ASSEMBLY
COMPLETED