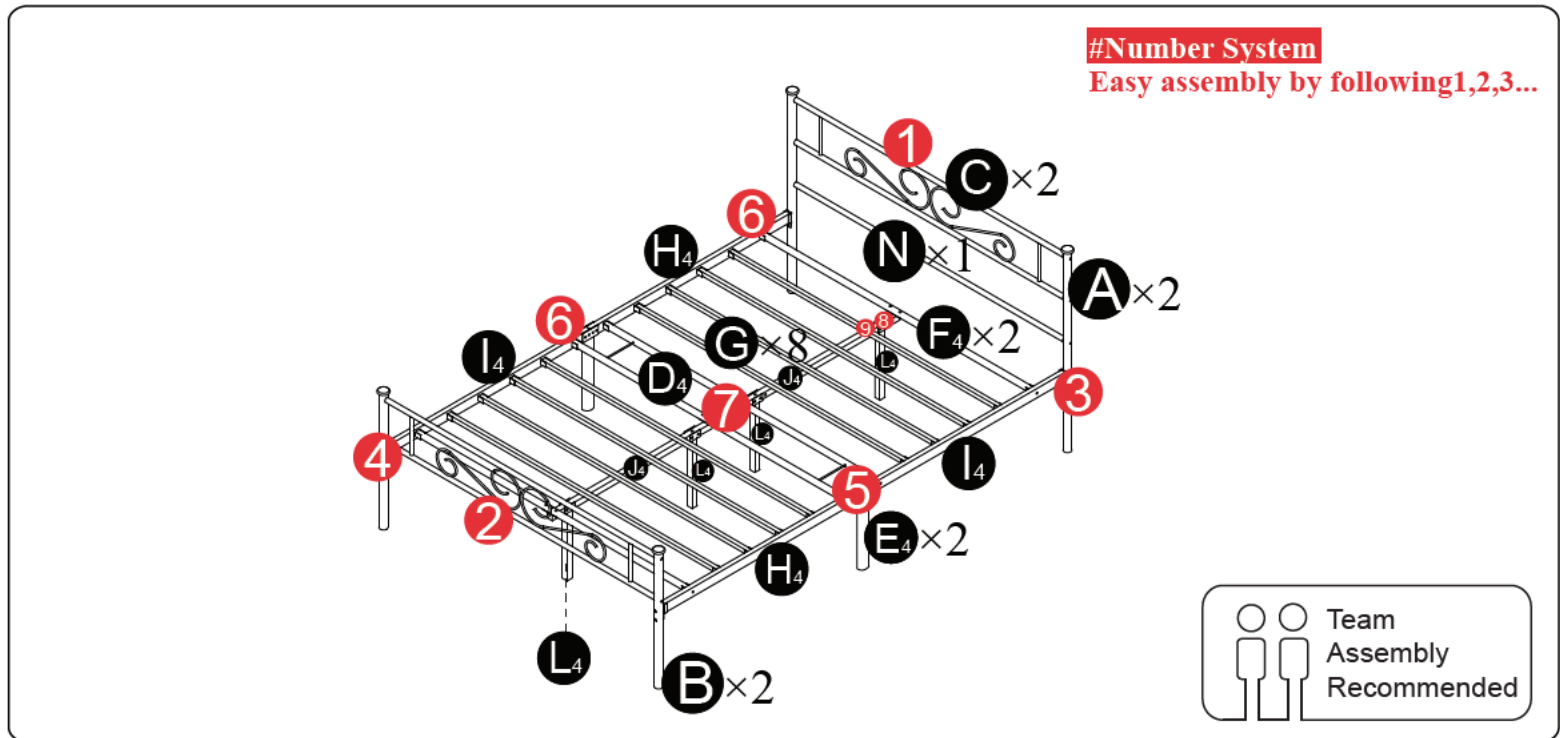


Bed Frame Installation Manual



Componets

- A x2
- B x2
- C x2
- D x1
- E x2
- F x2
- G x8
- H x2
- I x2
- J x2
- L x4
- N x1

Screws & Tools

1		M8x45mm	x8
2		M8x35mm	x8
3		M6x60mm	x10
4		M6x40mm	x20
5		M6x30mm	x12
6		M6x15mm	x4
7			x18
8		M8	x12
9		M6	x16
10		M5	x1
11		M13/M10	x1

Check all the components & screws before assembly. Do not install in case part is missing, contact us to get.

Return Policy

We believe you will absolutely love your metal platform bed. But if for some reason you want to return the item, please contact us directly before you decide to return your product. Our customer service organization can answer most concerns and assist you with any questions you may have about your new item. The item must be returned within 30 days of delivery for a full refund. The item must be returned in good condition, in original box, with all original proofs of purchase, parts and accessories.

Trouble shooting:

Missing parts

Send email with your question

Resend within 24 hours

Issue resolved

Other issues

Send email with your issue

Respond within 24 hours

Issue resolved

We control manufacturing and distribution ourselves, ensure the quality.

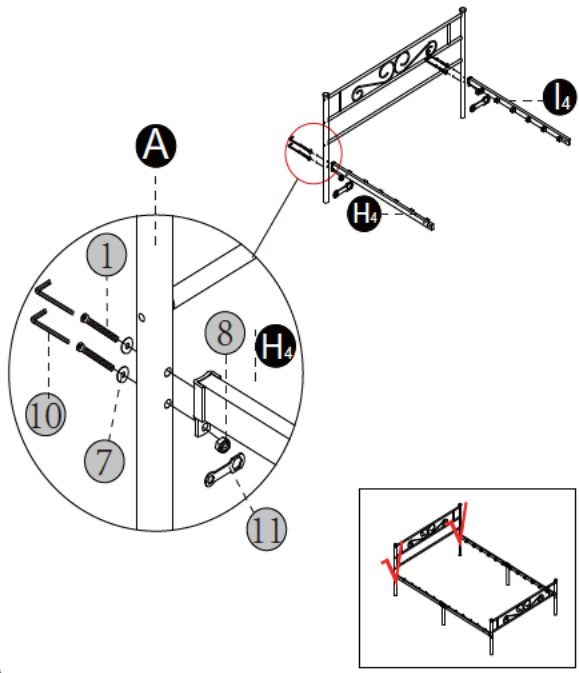
1 Headboard assembly

Note:
In this step, please do not tighten the screws(3) up

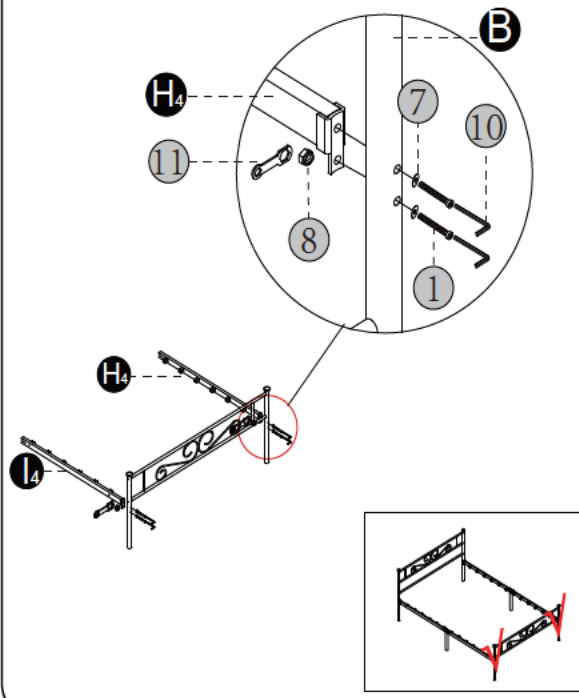
2 Footboard assembly

Note:
In this step, please do not tighten the screws(3) up

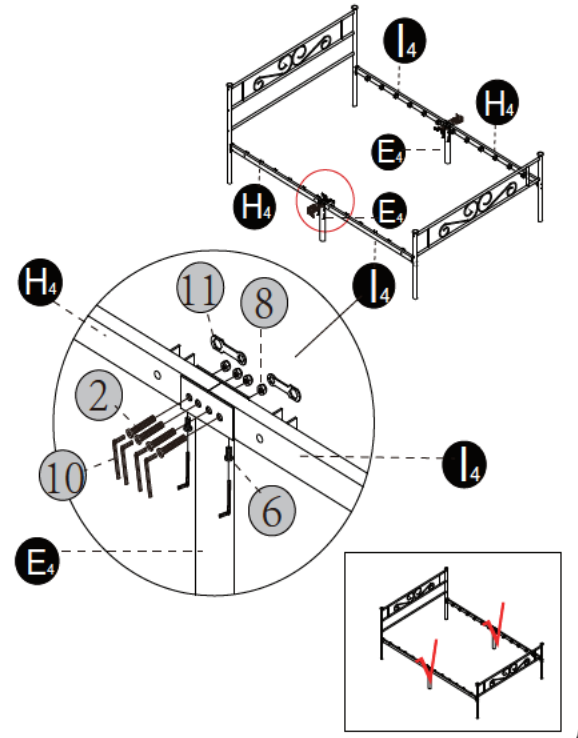
3 Connect **H₄** & **L₄** to headboard



4 Connect **H₄** & **L₄** to footboard

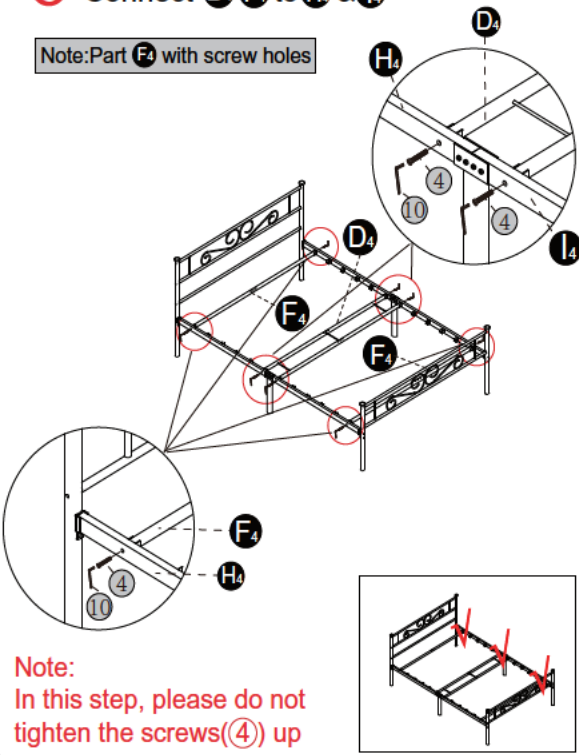


5 Connect **E₄** to **H₄** & **L₄**

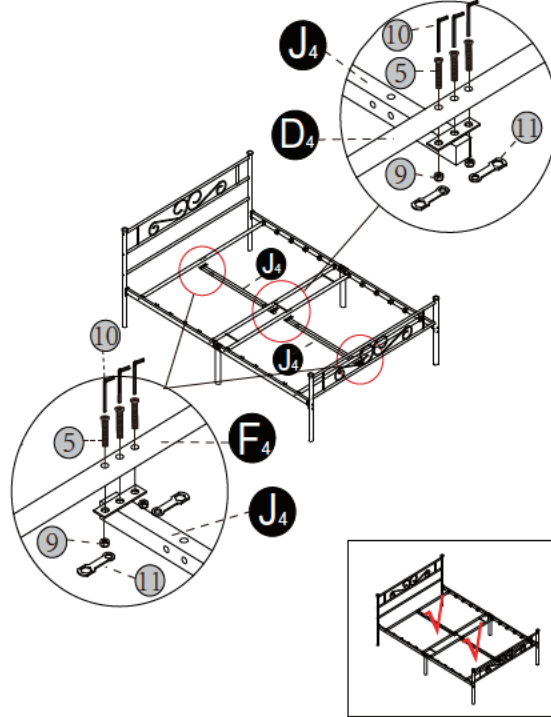


6 Connect **D₄** & **F₄** to **H₄** & **L₄**

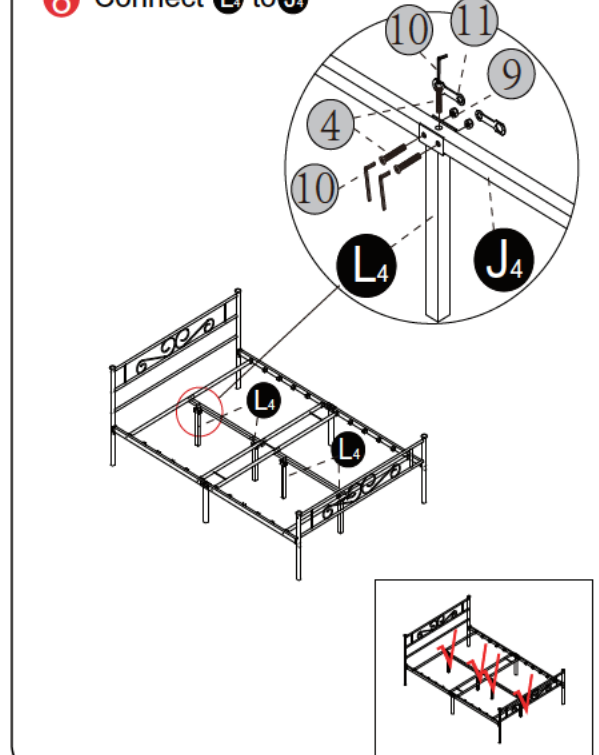
Note: Part **F₄** with screw holes



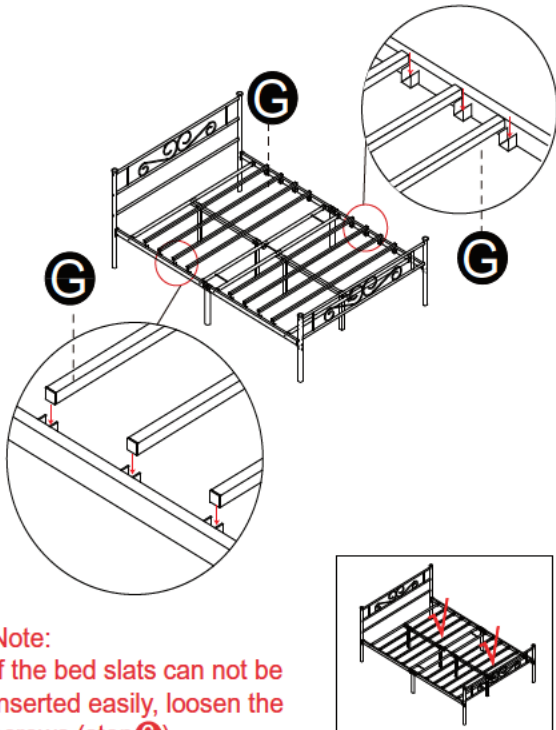
7 Connect **J₄** to **D₄** & **F₄**



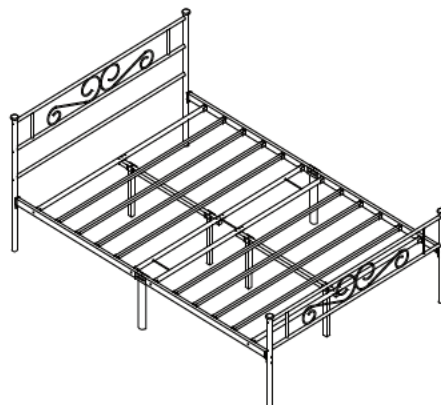
8 Connect **L₄** to **J₄**



9 Assemble bed slats



10 Check and tighten all screws



We'd Love to Hear from You
We cherish the voice of every customer.

CAUTIONS!

