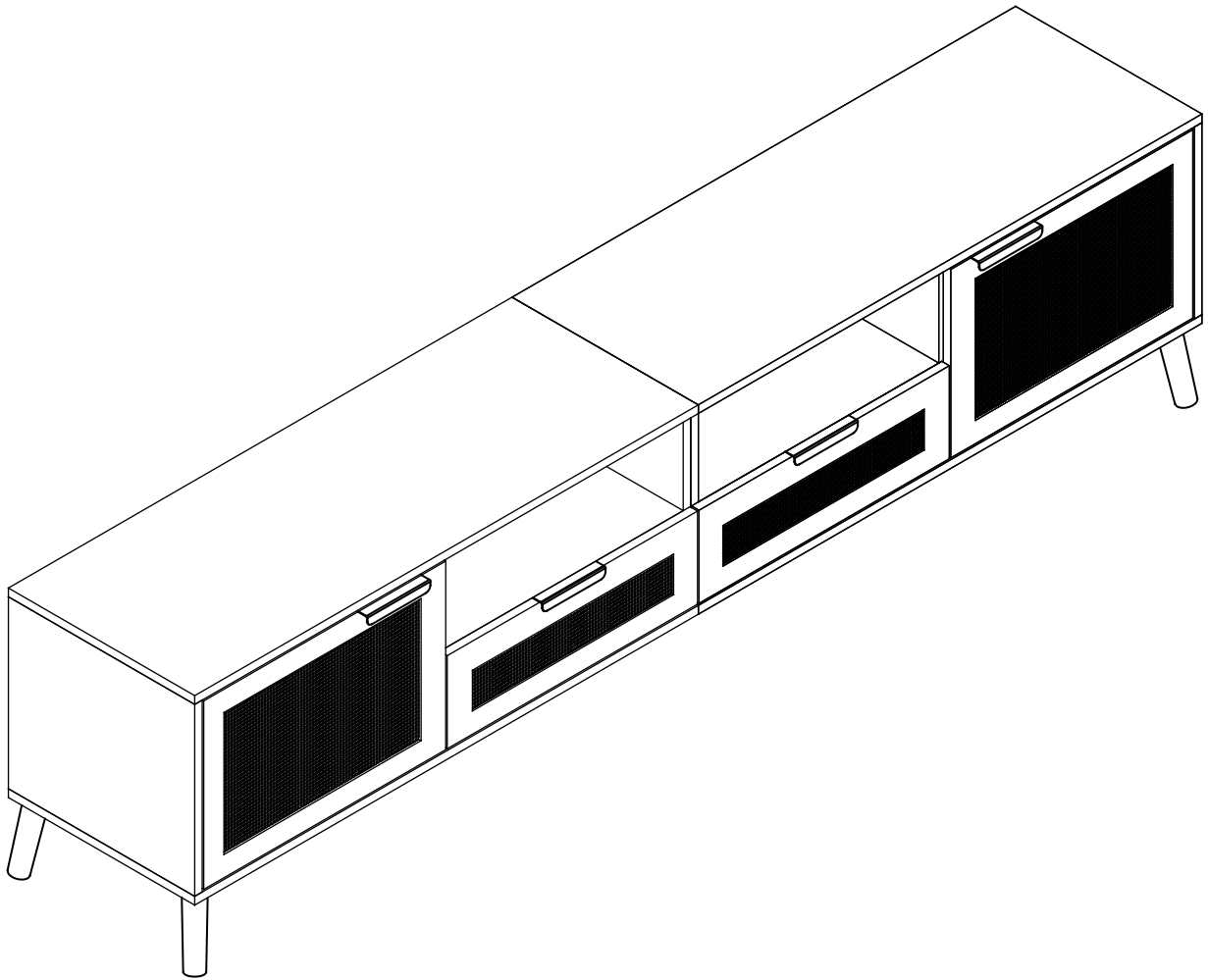


# TV STAND

## *USER MANUAL*



**SAVE THESE INSTRUCTIONS FOR FUTURE USE**

**PLEASE DO NOT RETURN TO STORE**



**Please do not return this product to the retailer!!  
We are able to assist you in ANY way**

If you find that you have any trouble with assembly or missing or damaged parts please contact the seller.

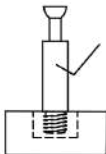
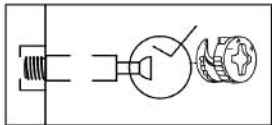
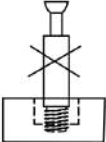
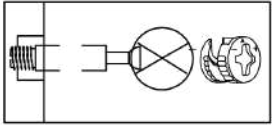
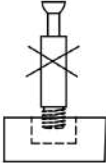
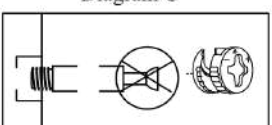
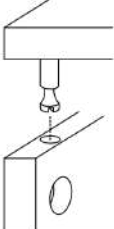
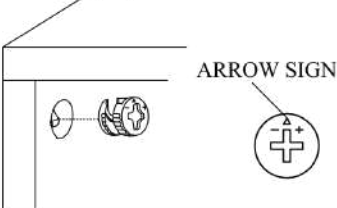
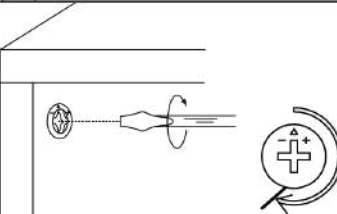
# Before Installation

Important – Please read these instructions fully before starting assembly

Thank you for purchasing this quality product. Be sure to check all packing materials carefully for small parts, which may have come loose inside the carton during shipment. Identify and count all items according to the PARTS LIST and/or HARDWARE LIST shown below. Check you have all the components and tools listed on the following pages.

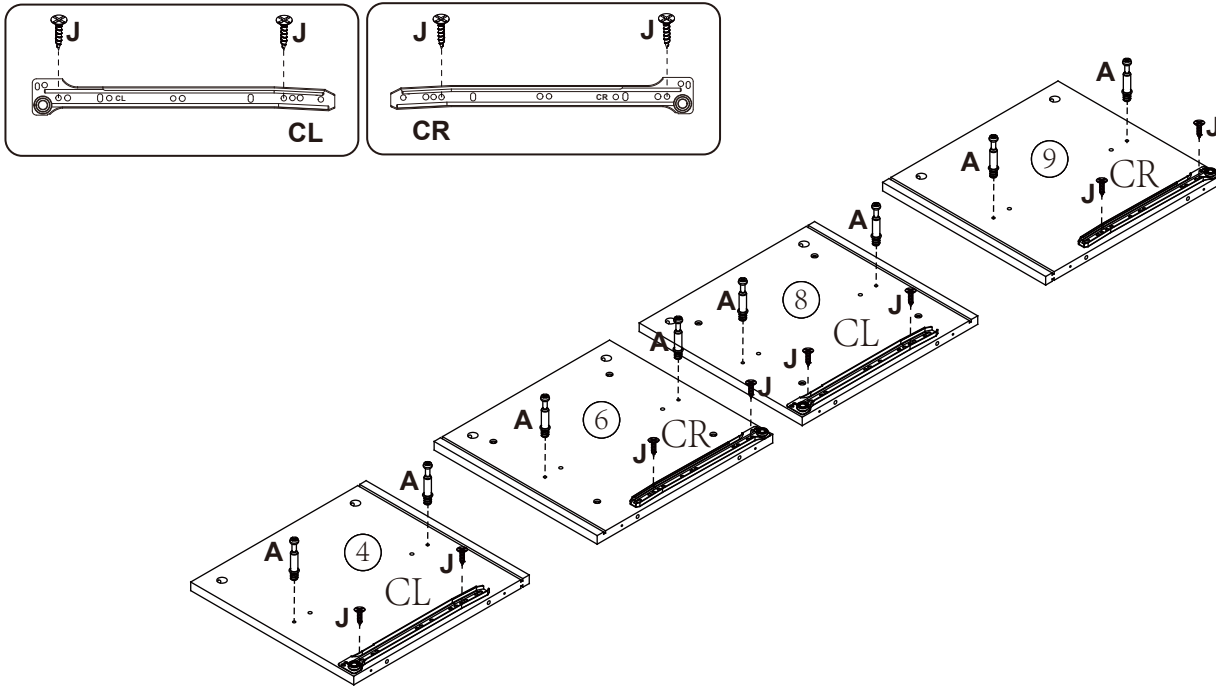
- We recommend that you assemble this product with the assistance of another person; this will make the assembly easier, and will help eliminate damage to the product or injury to persons during assembly.
- Please do not over tighten screws or bolts until the assembly is completed.
- Keep children and animal away from the work area, small parts could choke if swallowed.
- Please put all parts on a non-abrasive floor before assembly, and follow the assembly steps to assemble your newly purchased product correctly and efficiently.

## Cam Lock Assembly Instructions

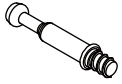
|   |   |   |
|---|---|---|
|    |    | Diagram A<br>Insert Cam Bolt into hole as shown in diagram A.   |
|  |  | Diagram B<br>Make sure not to insert the Cam Bolt:<br>Too deep as shown in figure B as this will cause the Cam Lock to be misaligned and unable to interlock properly.                  |
|  |  | Diagram C<br>Also avoid inserting the Cam Bolt too close to the surface of the hole as shown in figure C, as this will cause the Cam Lock to be too loose, and not interlock properly.  |
|  |   | Connect the panels together.  |
|  |   | ARROW SIGN<br>Insert the Cam Lock so the side opening fits over the head of the Cam Bolt.   |
|  |   | To tighten the Cam Lock, turn it clockwise on half a turn with a flat screwdriver.<br><i>*Do not use an automatic screwdriver as it may bend or break if too much power is imposed.</i> |



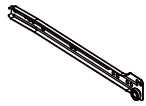
# STEP 1



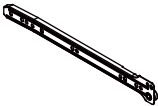
Ax8



CRx2



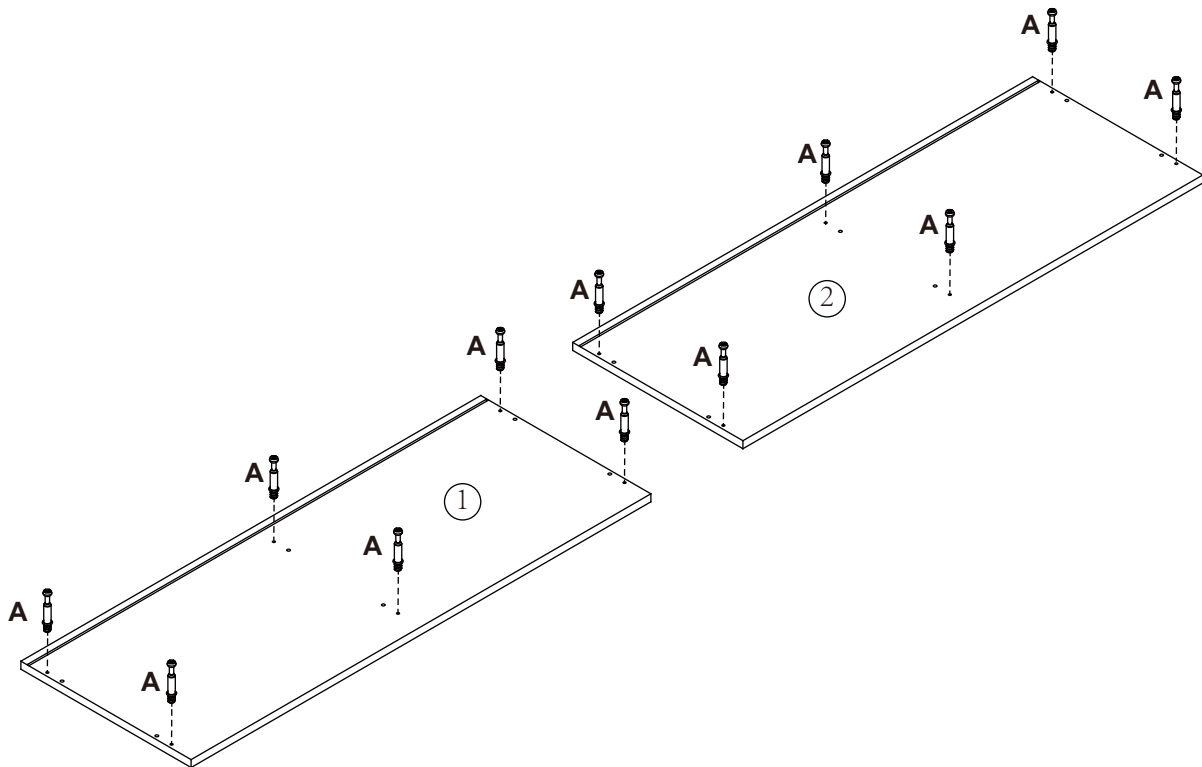
CLx2



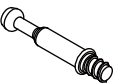
Jx8



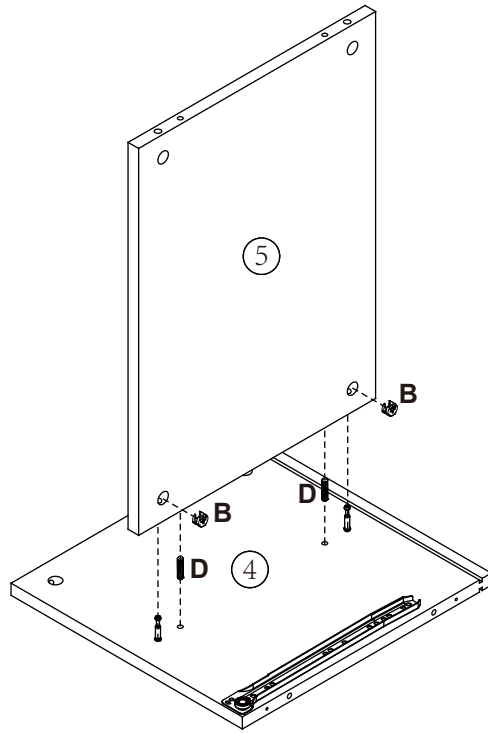
# STEP 2



Ax12



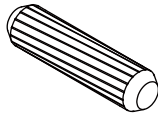
# STEP 3



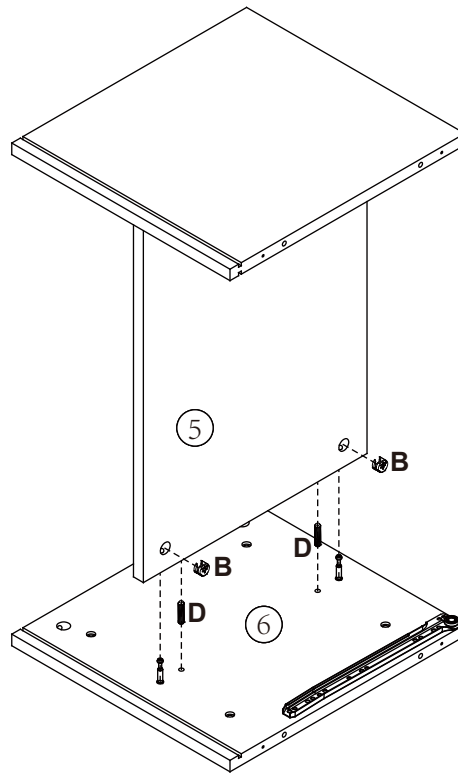
Bx2



Dx2



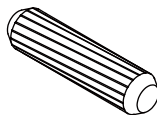
# STEP 4



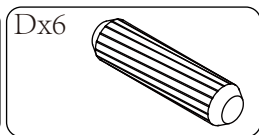
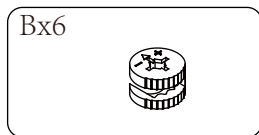
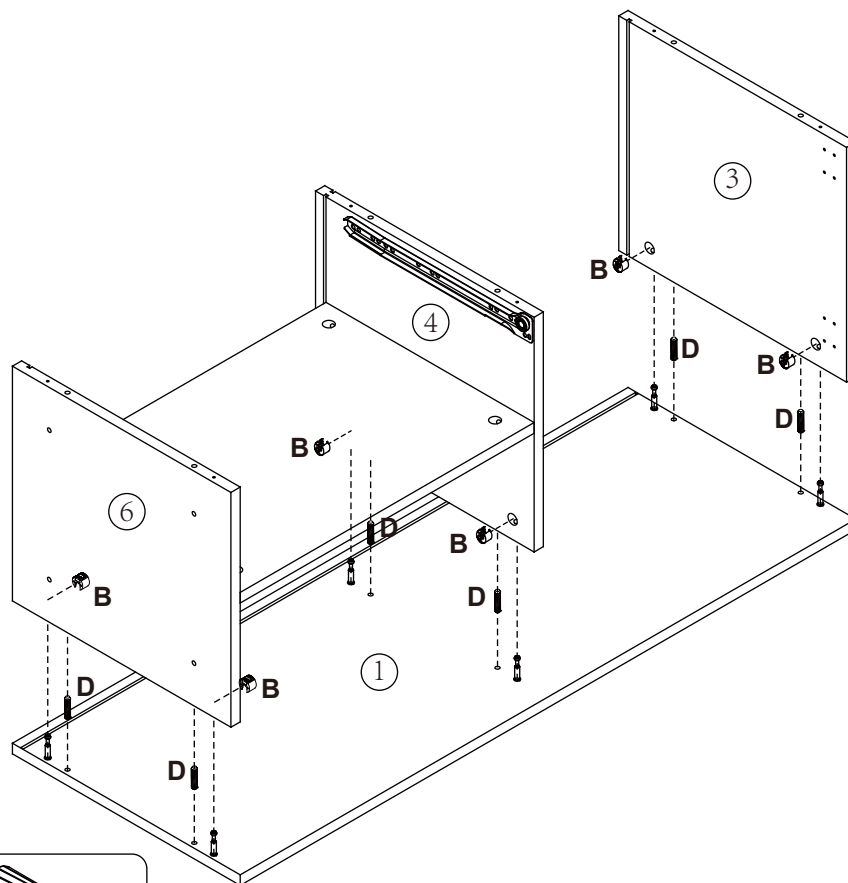
Bx2



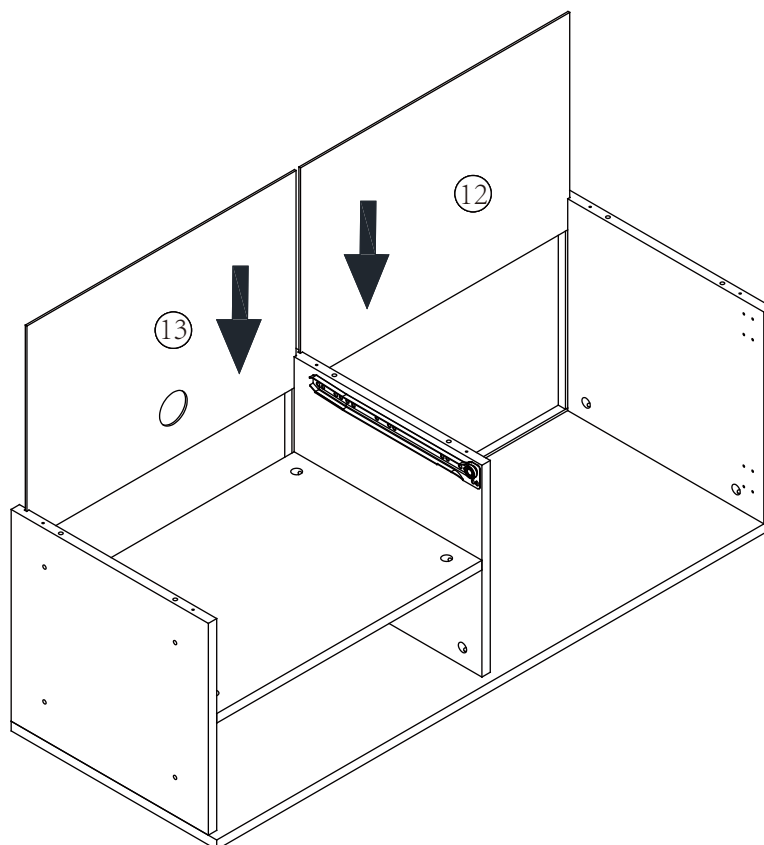
Dx2



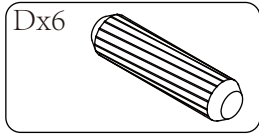
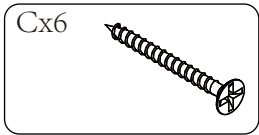
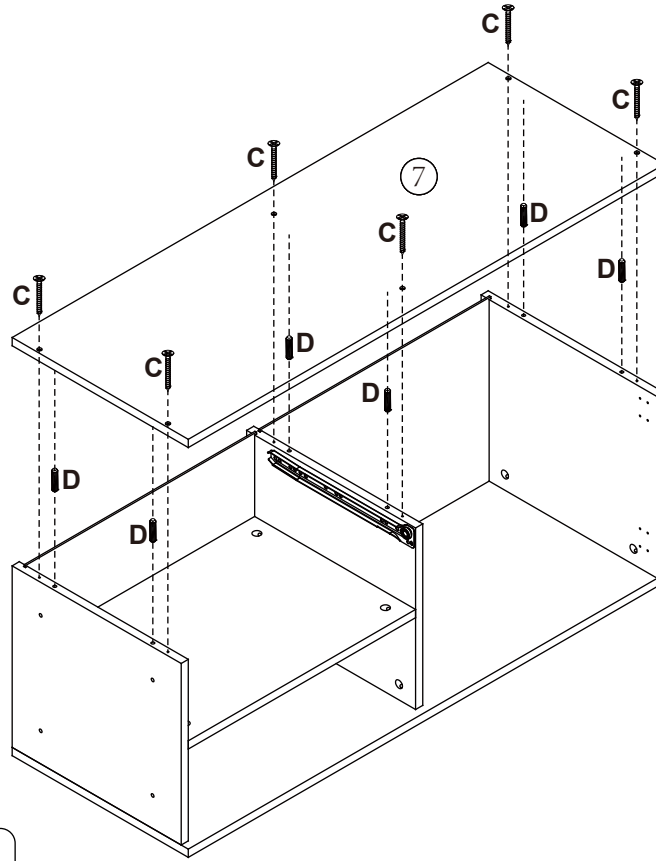
# STEP 5



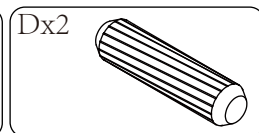
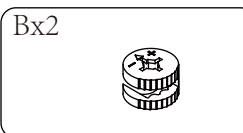
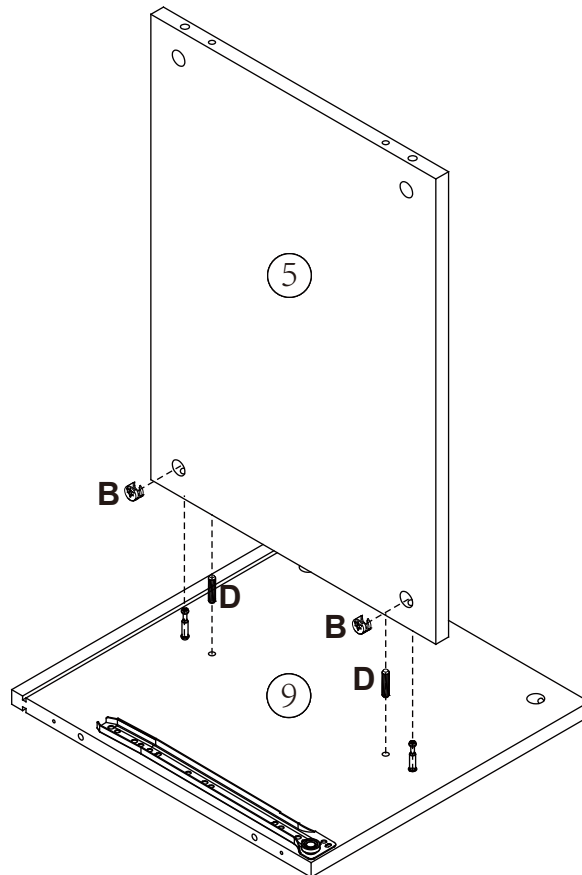
# STEP 6



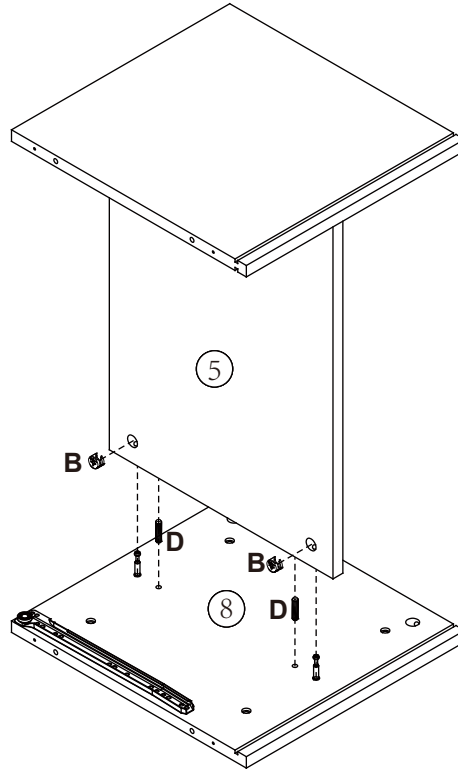
# STEP 7



# STEP 8



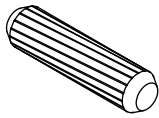
# STEP 9



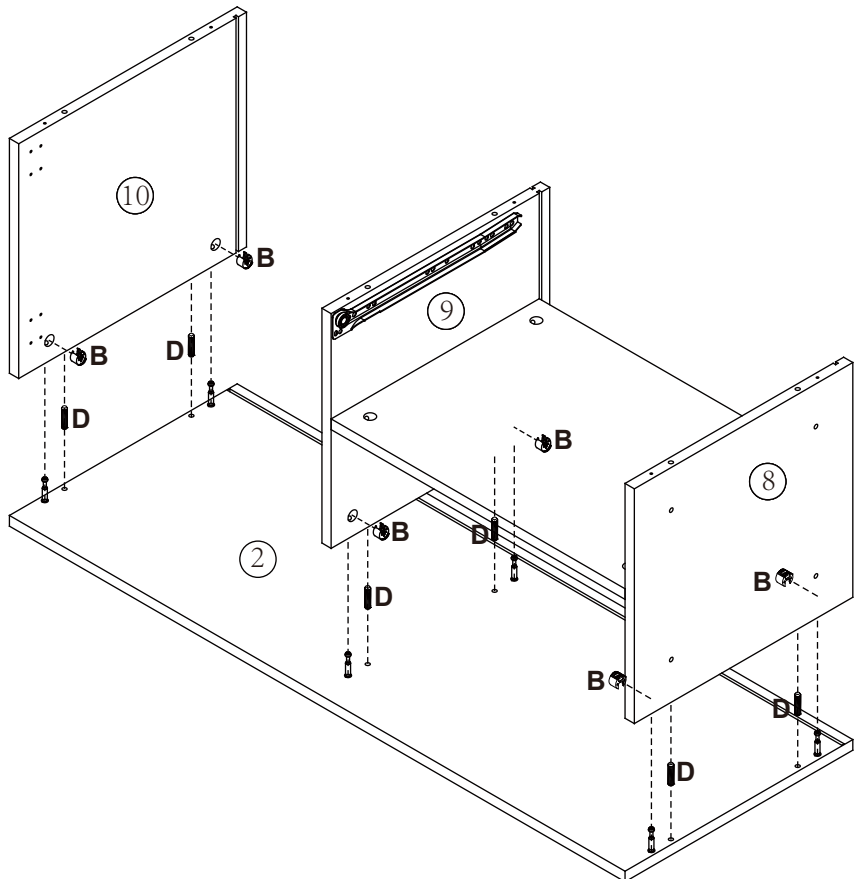
Bx2



Dx2



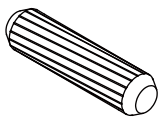
# STEP 10



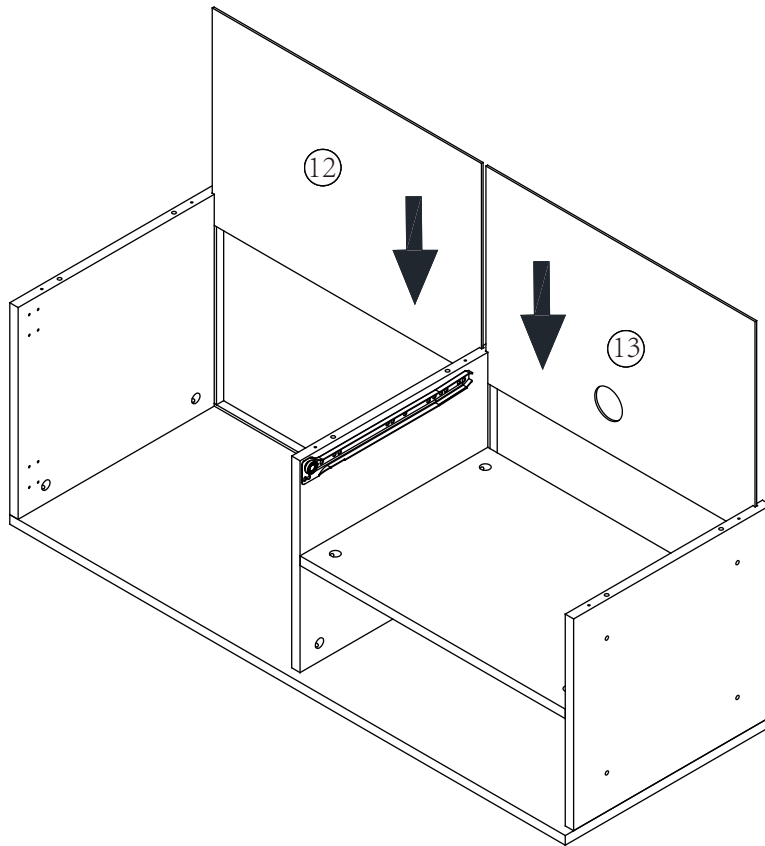
Bx6



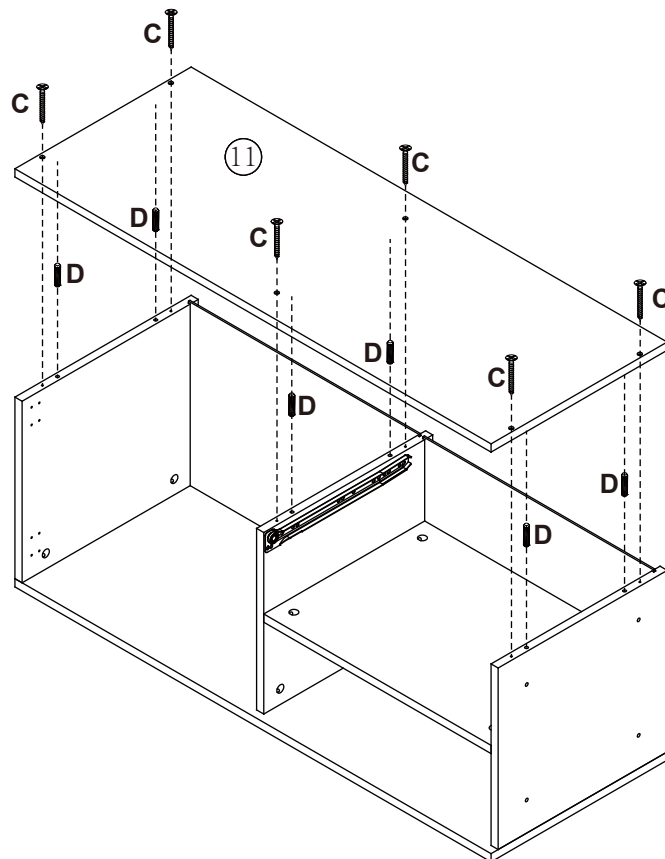
Dx6



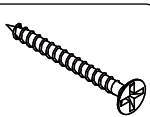
# STEP 11



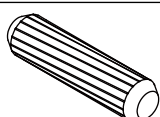
# STEP 12



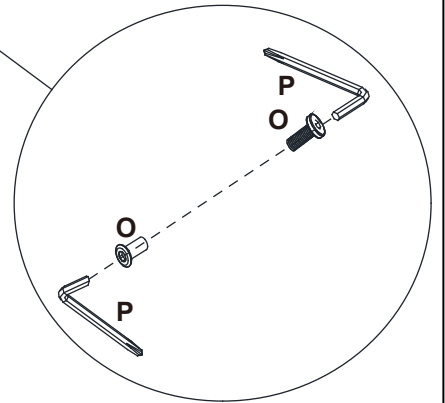
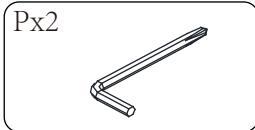
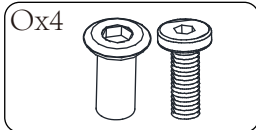
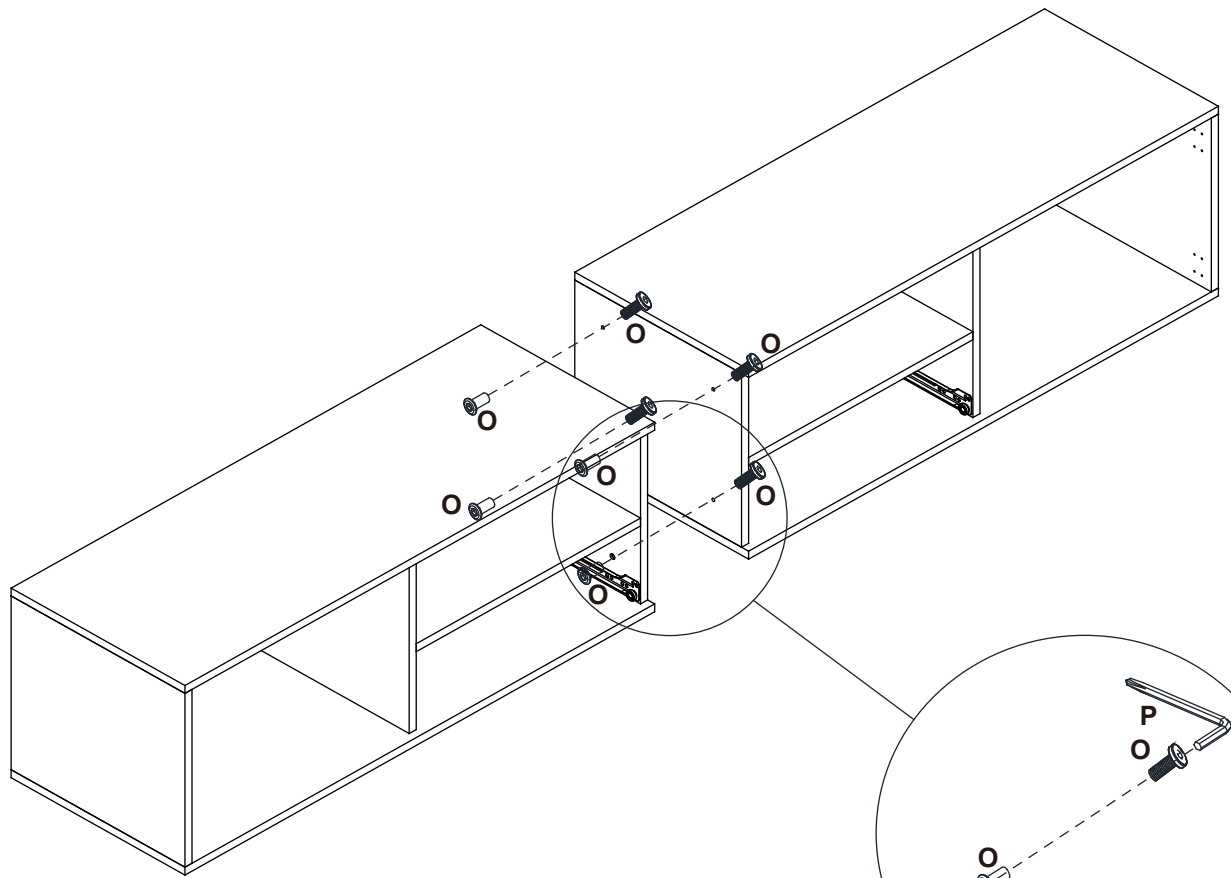
Cx6



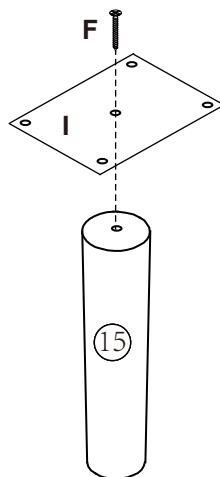
Dx6



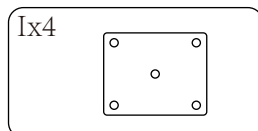
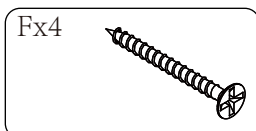
# STEP 13



# STEP 14



x4



# STEP 15

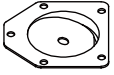
Mx16



Ex4



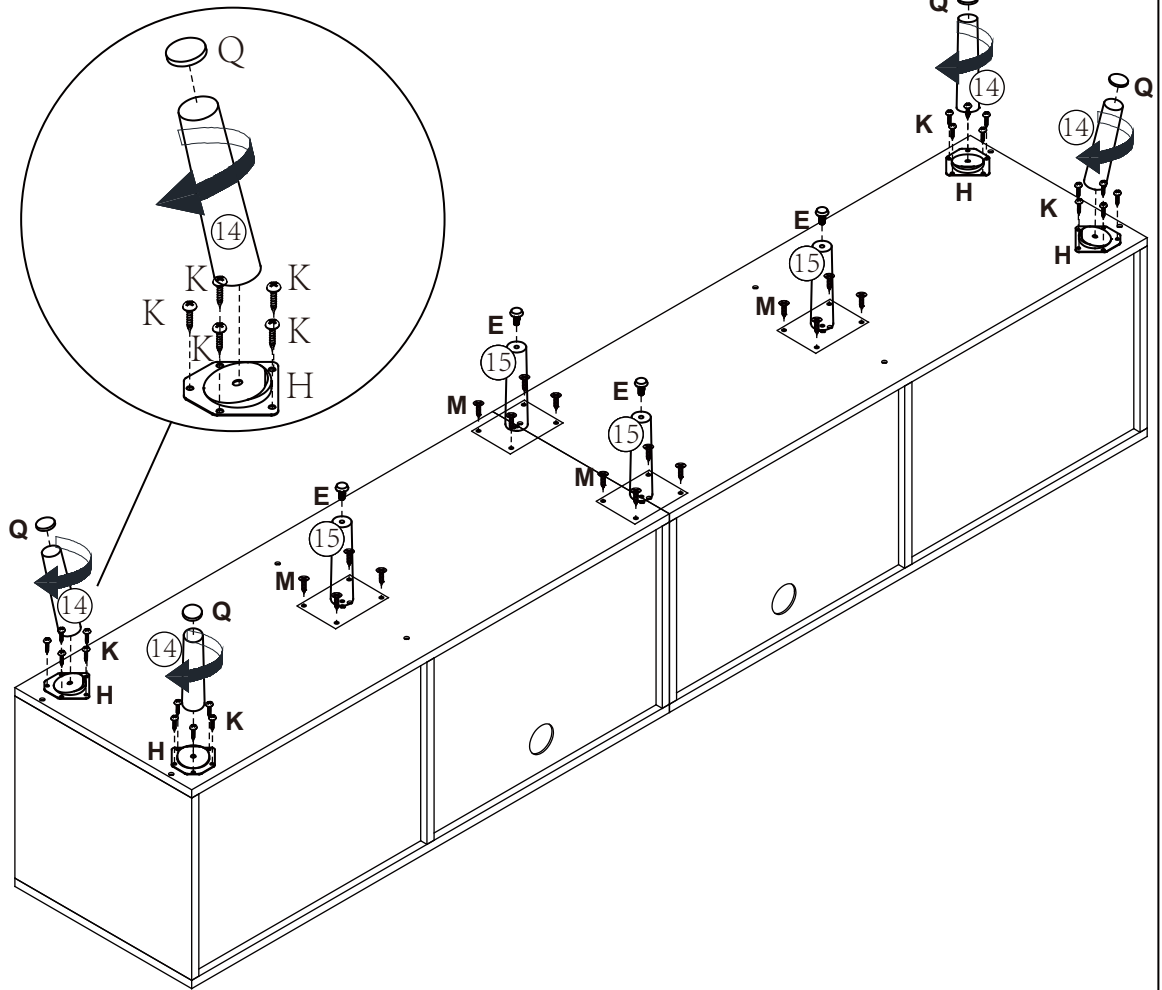
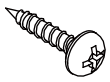
Hx4



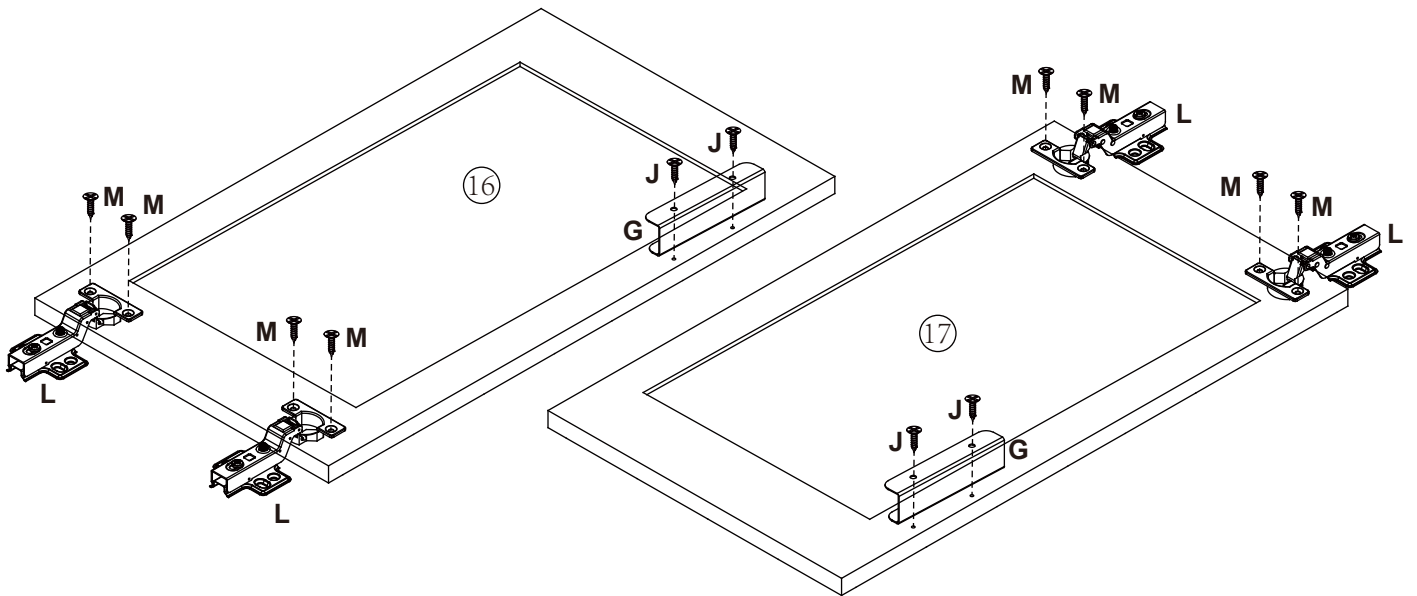
Qx4



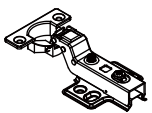
Kx20



# STEP 16



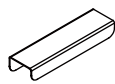
Lx4



Mx8



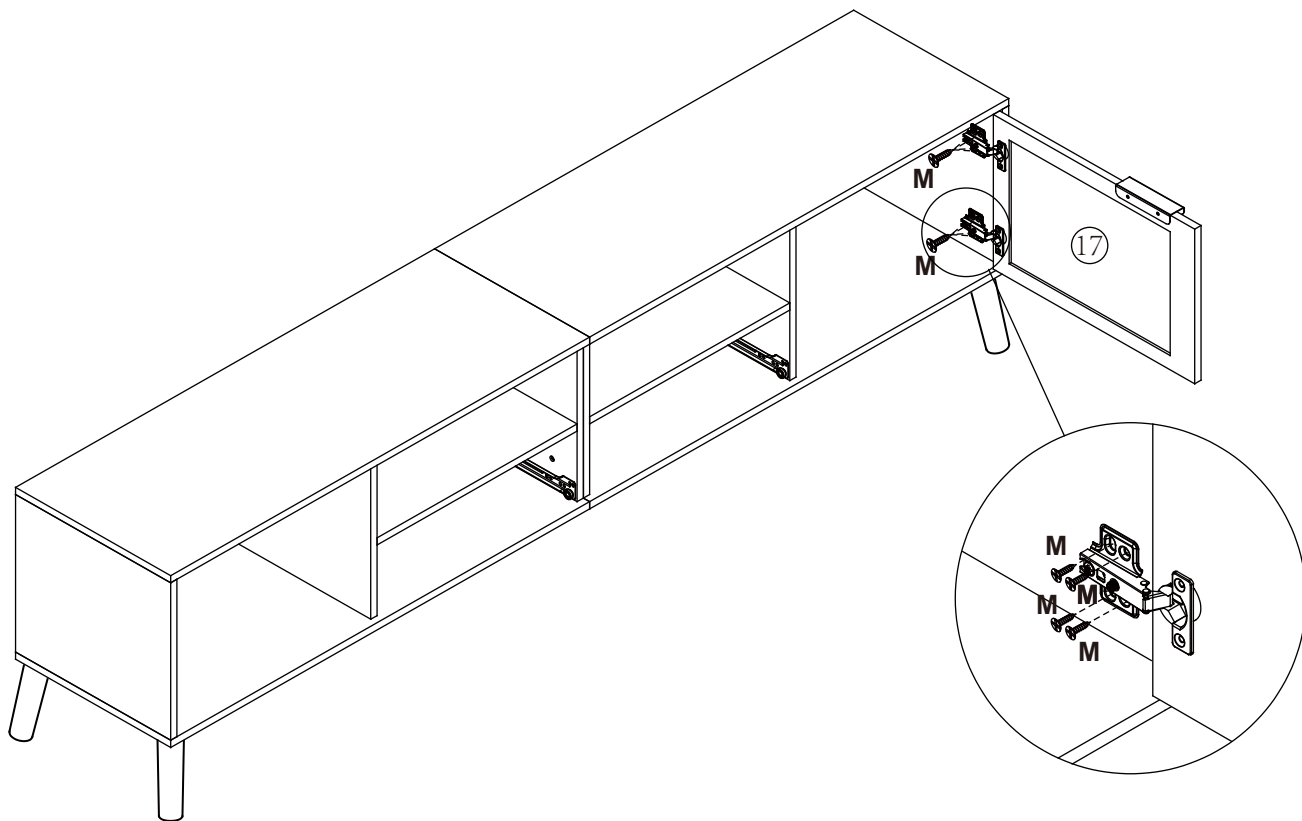
Gx2



Jx4



# STEP 17

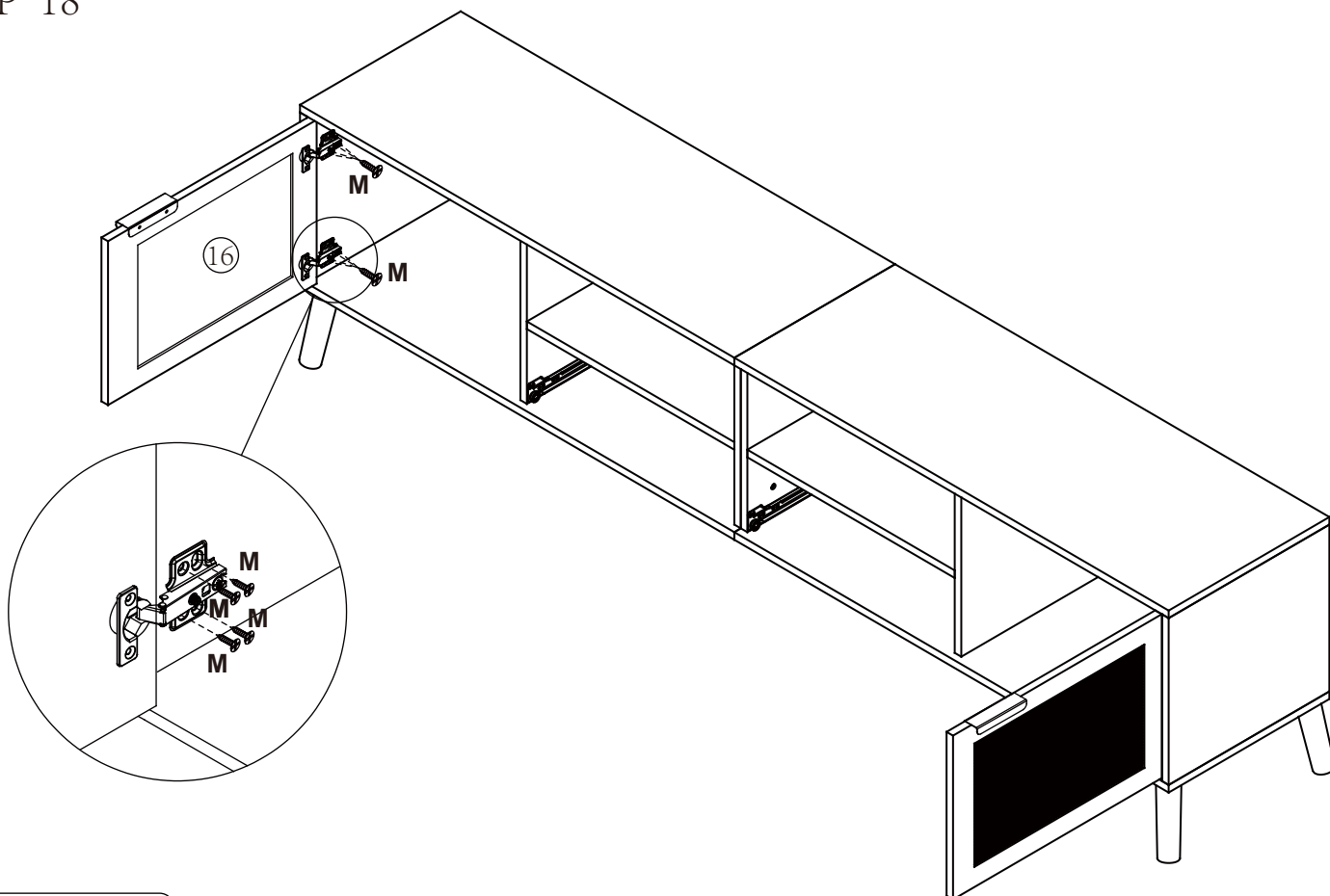


Mx8



(For detailed hinge adjustment instructions, please refer to the last page.)

# STEP 18

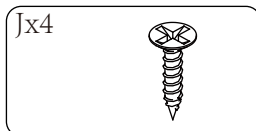
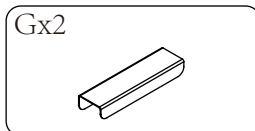
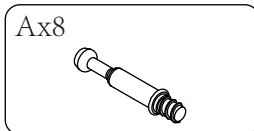
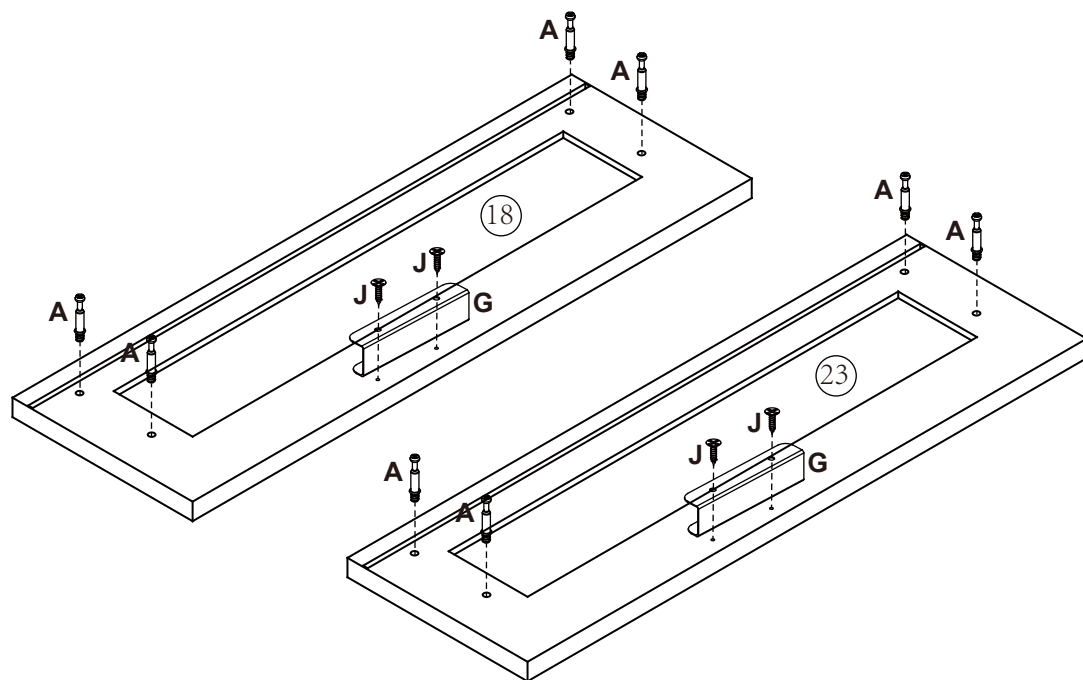


Mx8

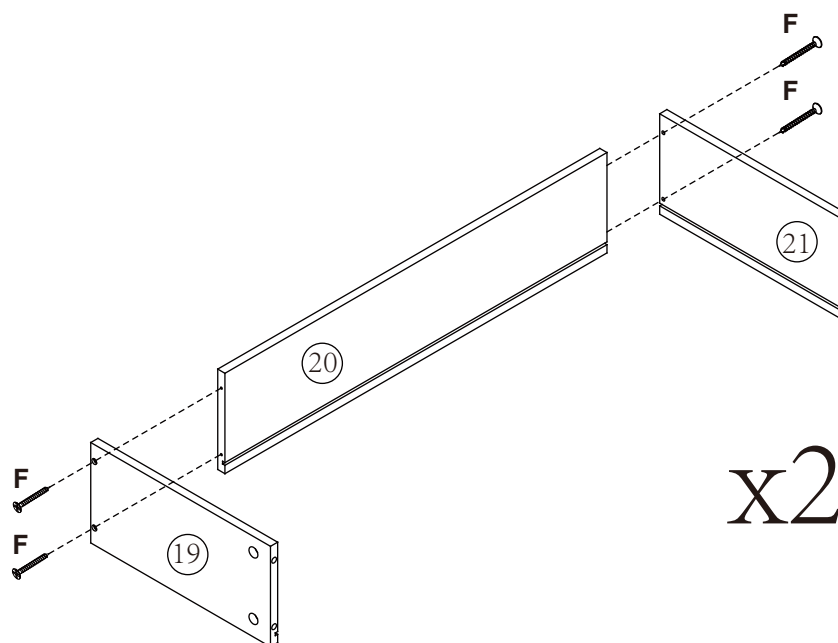


(For detailed hinge adjustment instructions, please refer to the last page.)

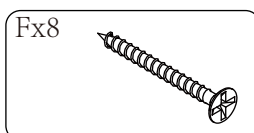
# STEP 19



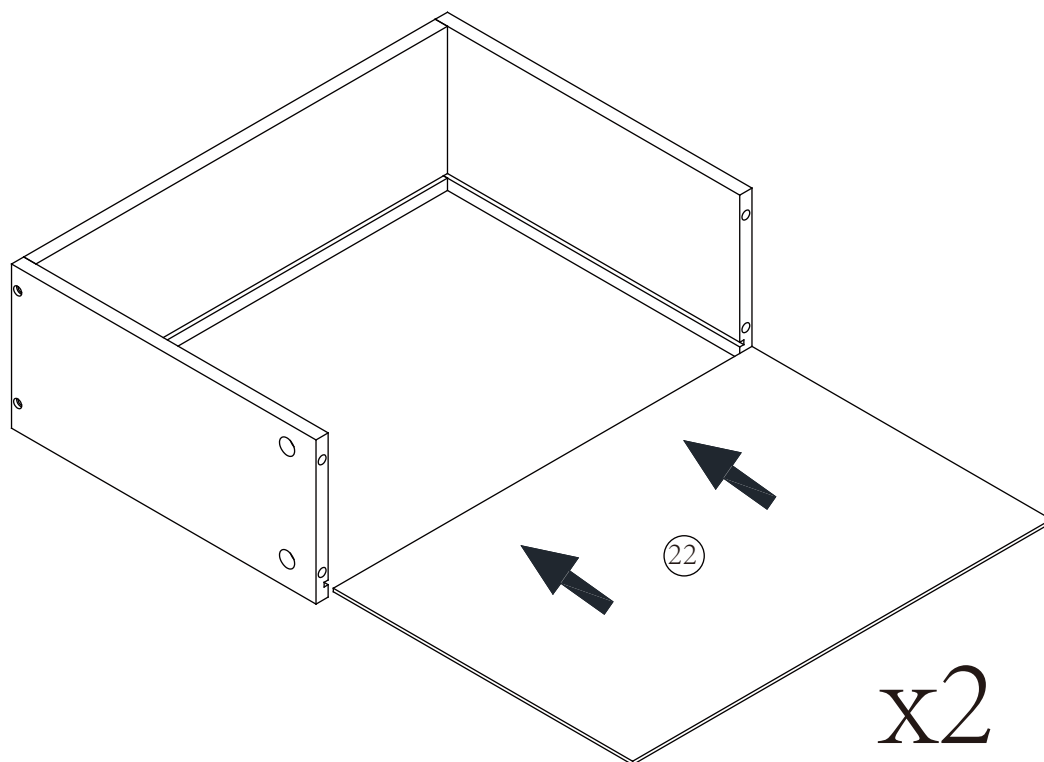
# STEP 20



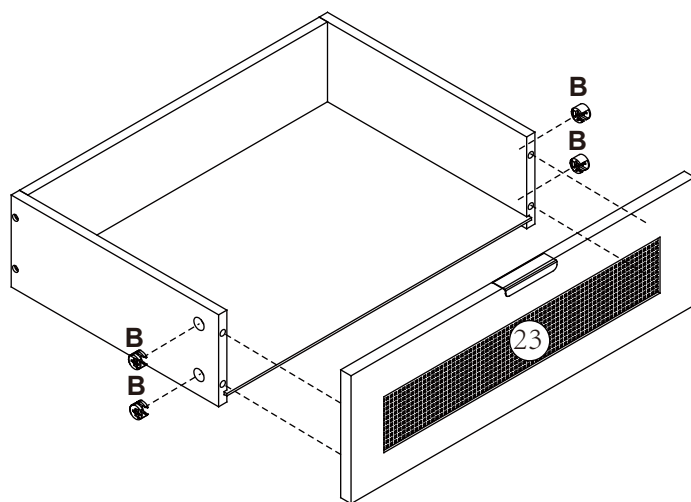
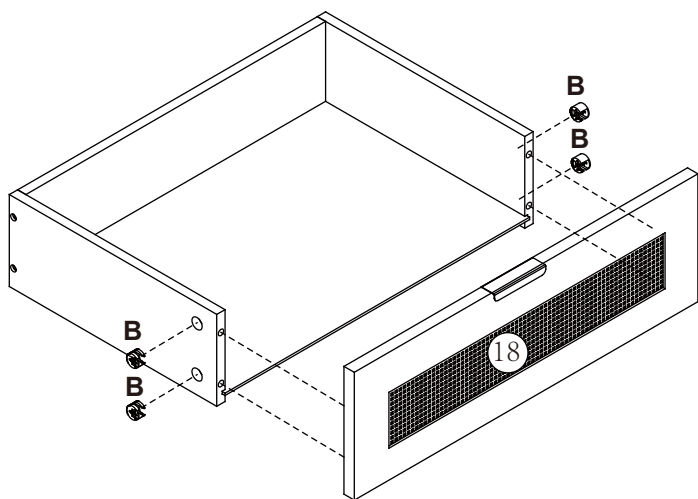
x2



STEP 21



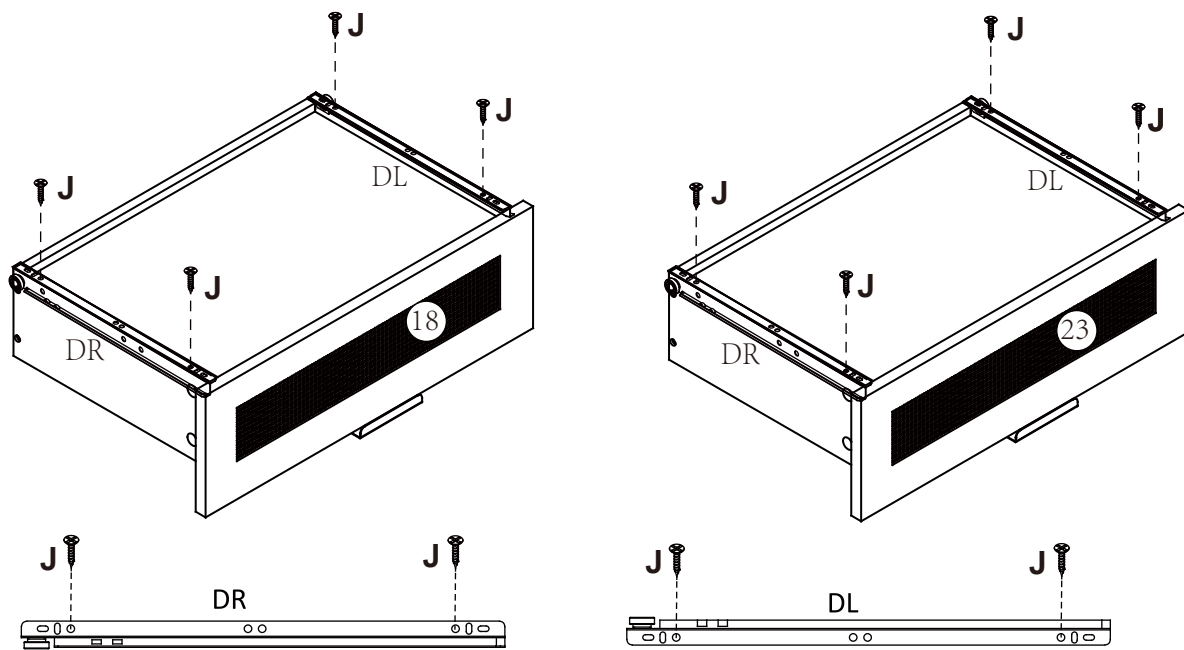
STEP 22



Bx8



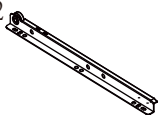
# STEP 23



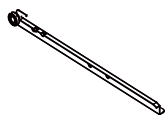
Jx8



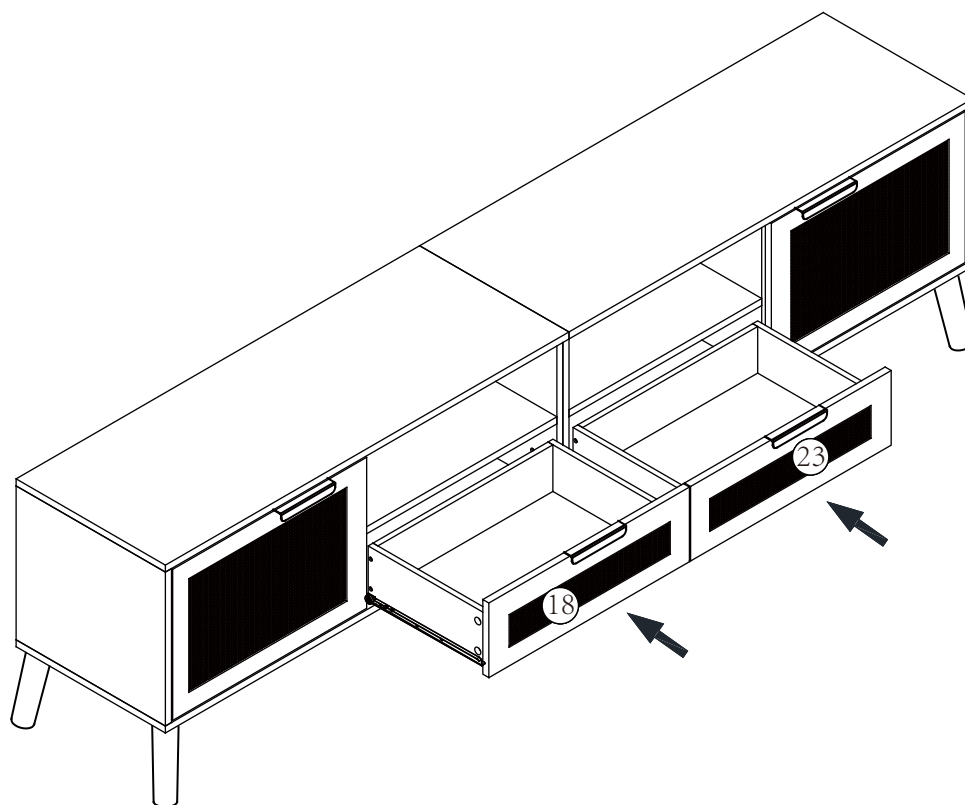
DRx2



DLx2

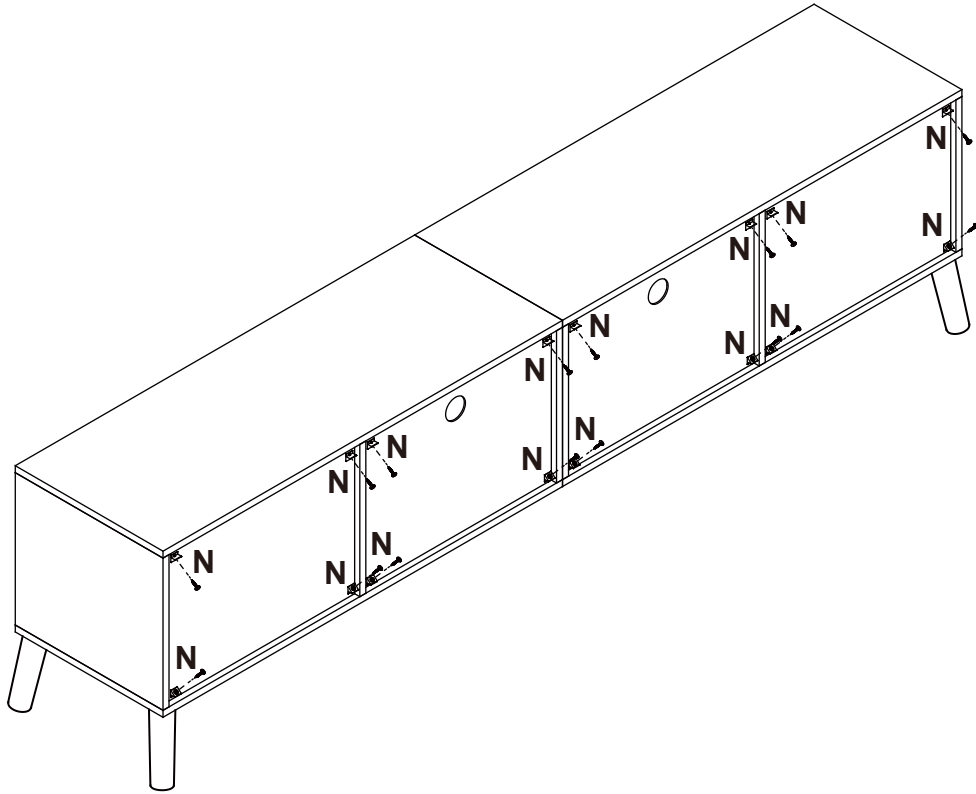


# STEP 24

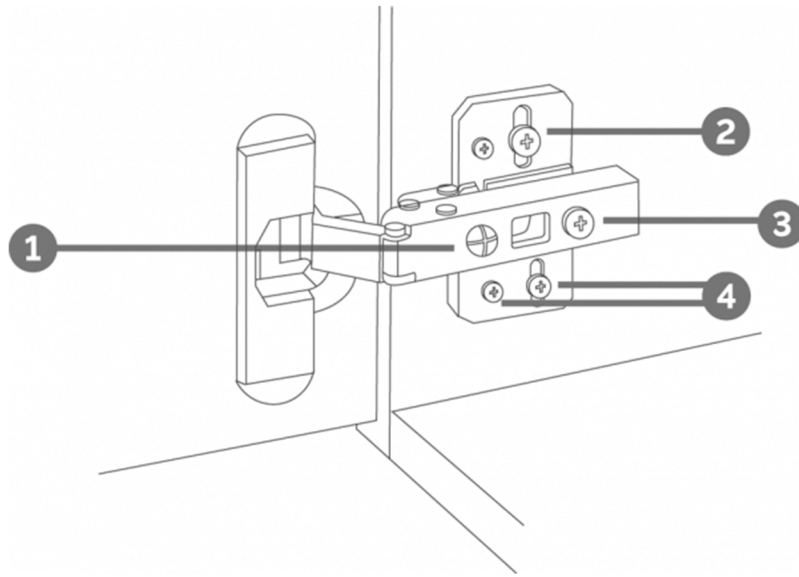


# STEP 25

Nx16

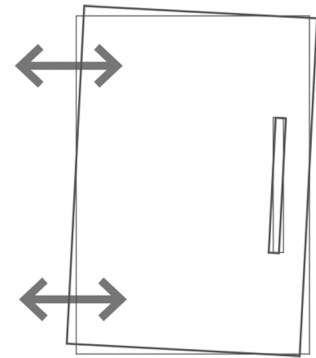


# HINGE ADJUSTMENTS



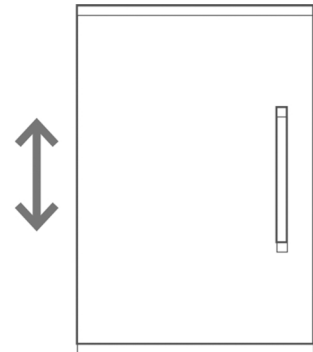
## 1 Sideways / Tilt adjustment

Turn the screw  
**clockwise** to move the door further away from  
the side of the cabinet  
**anticlockwise** to move the door closer to the  
side of the cabinet



## 2 4 Height adjustment

While supporting the weight of the door, turn the  
screws  
**clockwise** to move the door up  
**anticlockwise** to move the door down



## 3 Forward and back adjustment

If the gap between the back of the door and the  
cabinet is too small, and the door may not close  
fully. Turn the screw  
**clockwise** to decrease the gap between the  
door and the cabinet  
**anticlockwise** to increase the gap between the  
door and the cabinet

