

Designed for your house, a New Living Style.



USER MANUAL

Counter Stool

SKU:

HUSF-SCS1007BN-26

HUSF-SCS1007BGE-26

Attention: This instruction contains important safety information, please carefully read it and keep it for future reference...

Follow Hausfame



No Need to Return !!!

If any problems occur, please reach out to us at 646-204-5003 or at **AMZ@hausfame.com** for further assistance, clear pictures associated with your problems will contribute to a faster solution...

Welcome to visit our store and purchase our quality products!

Amazon store please search with







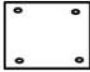
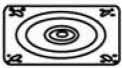






- **Hausfame** series cover a vast selection of furniture item spanning **Computer Desks, Side Tables, Garment Racks, Cabinets, Chairs, Bar Stools, Sofas, Ottomans, Bookshelves** and **Living Room Sets, etc**, all of which are geared towards addressing various tastes and budgets.
- It is our sincere hope that our furniture items could be acting as helpful companions in your life and work. We attach great importance to customer experience and promise to serve each consumer wholeheartedly by bringing them as much value as possible; whenever you are running into any problems while assembling or using our furniture items, please touch base with us, our Customer Service team is available to provide necessary assistance to address your needs and concerns.
- Thank you for your purchase, we are committed to providing you with high value and superior quality products characterized by sturdy build, user-friendly design and reasonable pricing.

Attention:

- Extra hardware parts and foot pads are provided for the purpose of possible repair or replacement in the future.
- In the process of assembly, be sure to keep all small parts in the package out of reach of babies and children, which pose a choking hazard if swallowed or inhaled; keep the packaging materials (film, plastic bags, foam, etc.) away from babies and children to avoid potential dangers of suffocation.
- Do not fully tighten any screw until all screws are aligned with their corresponding holes.
- Two persons are required for the assembly; for the purpose of a time-saving and hassle-free assembly, please act in compliance with the step-by-step instructions.
- Be sure to anchor the assembled counter stool to the wall as instructed, failure to do so may result in personal injury and/or property damage should the item fall down accidentally.
- Children are not allowed to play on, stand on or jump from the counter stool which is intended for the storage and organization purposes only.
- The seller bears no responsibility and/or liability for any personal injury and/or property damage arising from improper use or incorrect assembly of the counter stool.
- During the assembly, please be wary of sharp corners of the wooden panel or the metal frame, it is commended to wear a pair of gloves when you come into contact with these parts.
- Any unauthorized modification to this item will void its warranty.

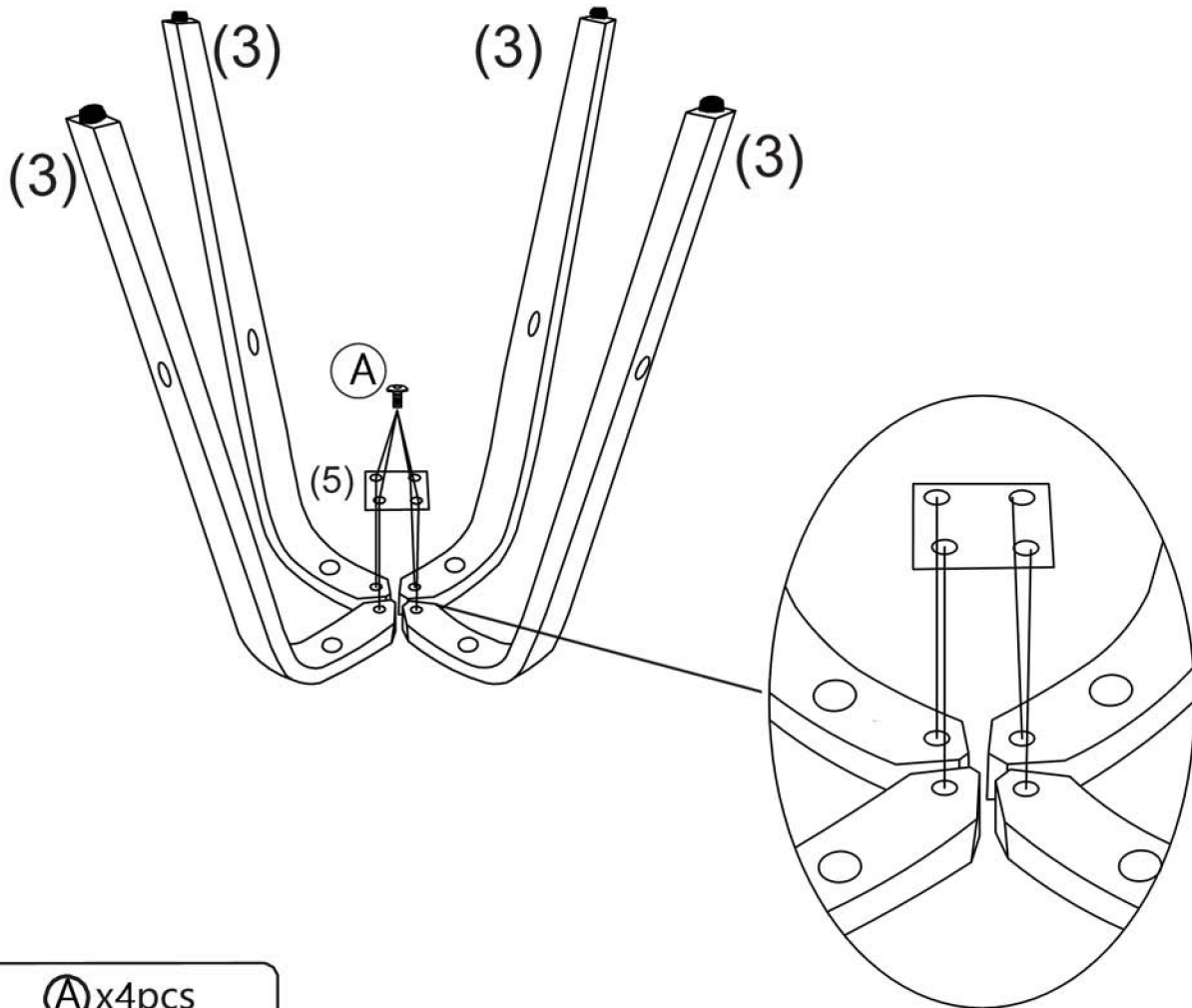
Parts List

Prior to assembly, check to see if all parts and hardware are included as follows, should any part be found missing or defective, please reach out to our customer service for further assistance.

(1)x1pc		(2)x1pc	
			
Backrest		Seat	
(3)x4pcs	(4)x1pc	(5)x1pc	(6)x1pc
			
Legs	Footrest Ring	Connect Strap	Turnplate
Ⓐx12pcs+1EXT	Ⓑx6pcs+1EXT	Ⓒx2pcs+1EXT	Ⓓx2pcs
			
Screw M6*20mm	Screw M6*25mm	Screw M6*30mm	Rubber
Ⓔx4pcs	Ⓖx1pc		
			
Caps	Tool		

Assembly Steps

Step 1



Ⓐ x4pcs

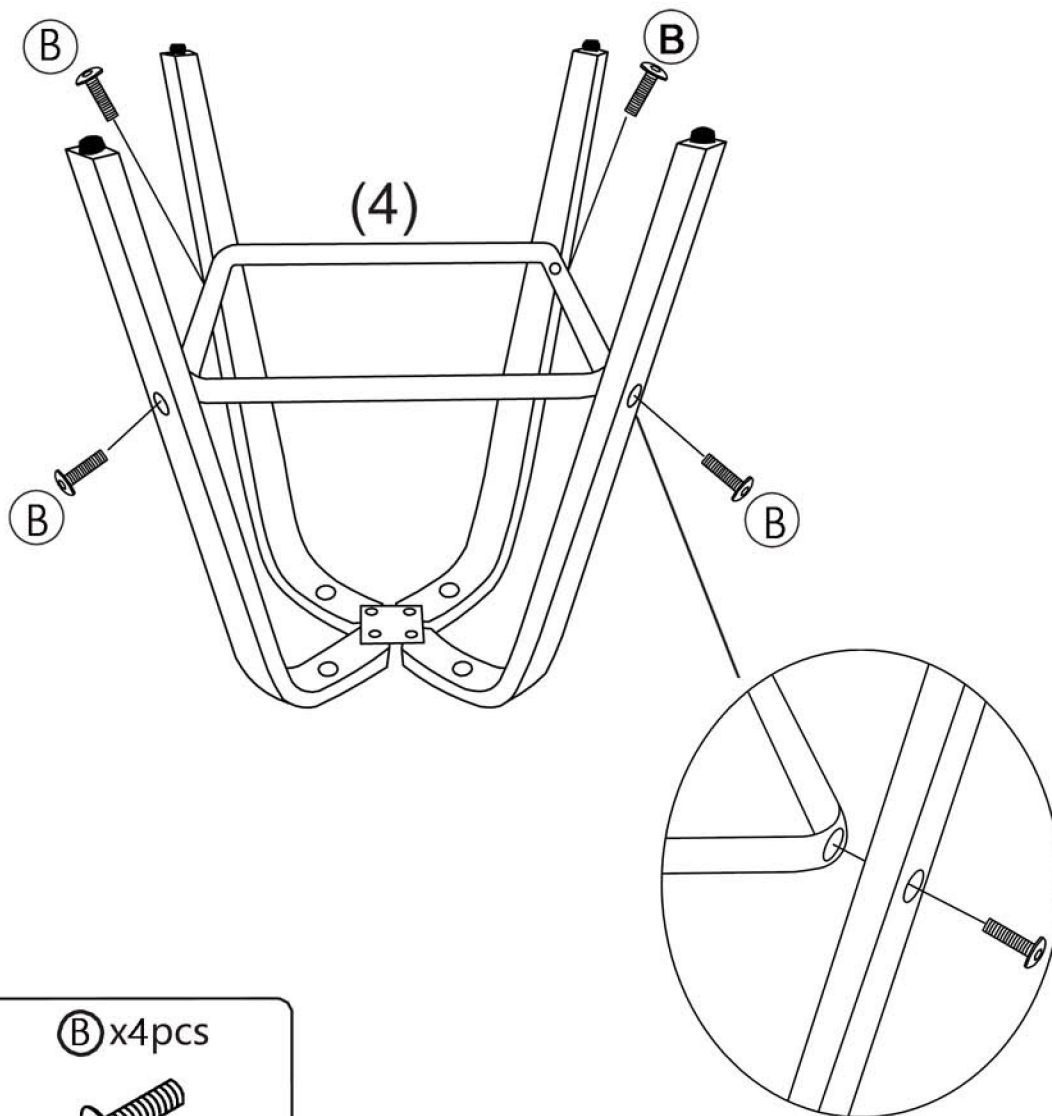


Screw
6x20mm

- Connect the **Connect Strap (5)** with **Four legs (3)** using Screws **Ⓐ**. Lightly tighten the screws indicate on step 1.

Assembly Steps

Step 2



(B) x4pcs

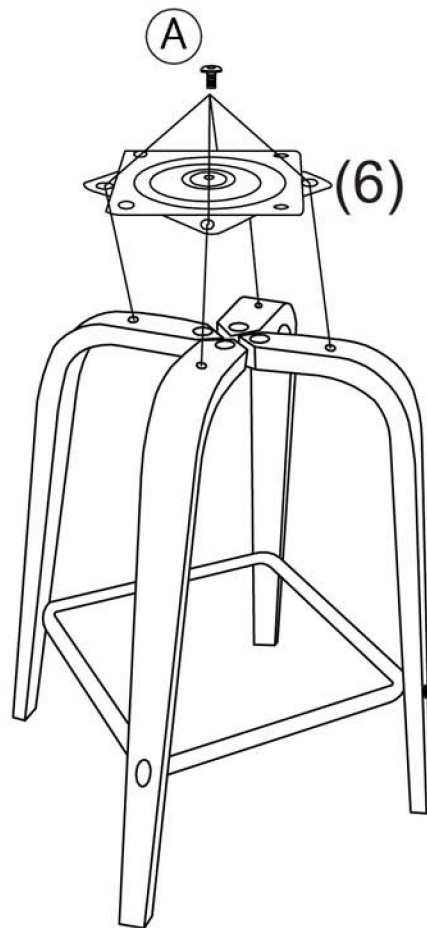
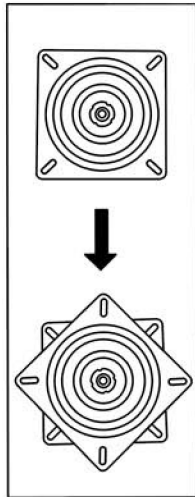


Screw
6x25mm

- Assemble **Footrest Ring (4)** to the **Four legs (3)** as illustrated. Lightly tighten the screws indicate on step 2.

Assembly Steps

Step 3



Ⓐ x4pcs



Screw
6x20mm

- Assemble the **Turnplate (6)** to the **Four legs (3)** using Screws Ⓐ. Then tighten all screws on step 3 and previous steps.

Assembly Steps

Step 4

Ⓑ x2pcs

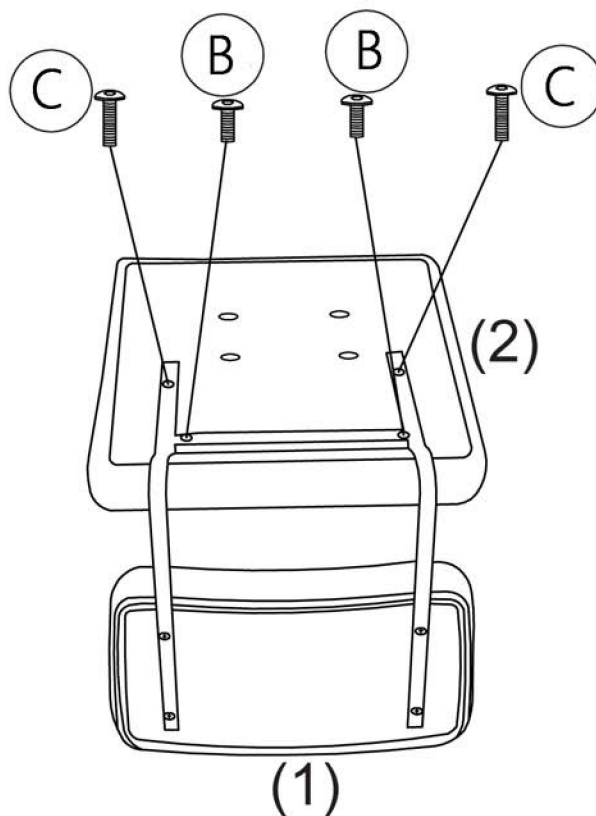


Screw
6x25mm

Ⓒ x2pcs



Screw
6x30mm



- Assemble the **Backrest (1)** with the **Seat (2)** using Screws Ⓑ and Ⓒ. tighten all the crews in step 4.

Assembly Steps

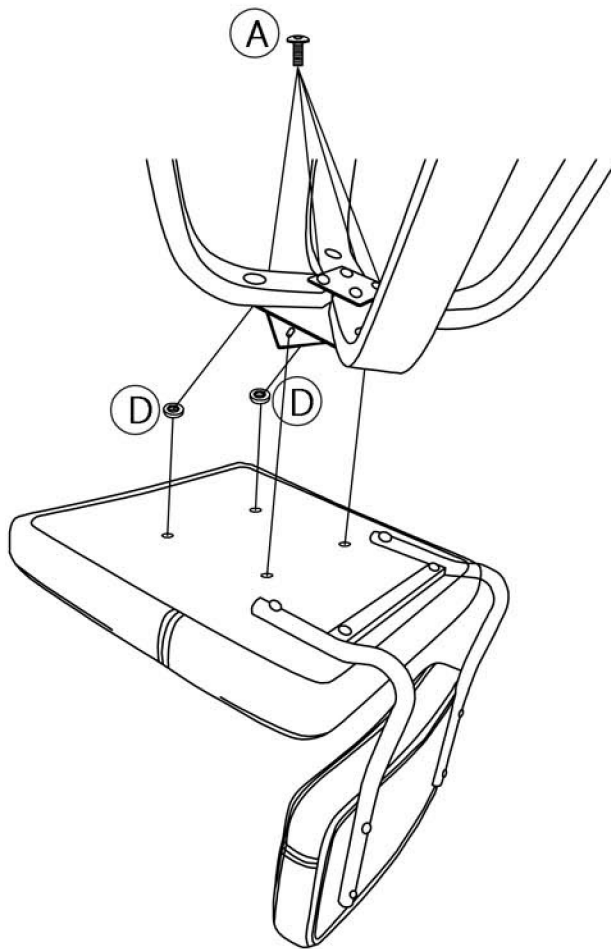
Step 5

Ⓐ x4pcs



Screw
6x20mm

Ⓓ x2pcs

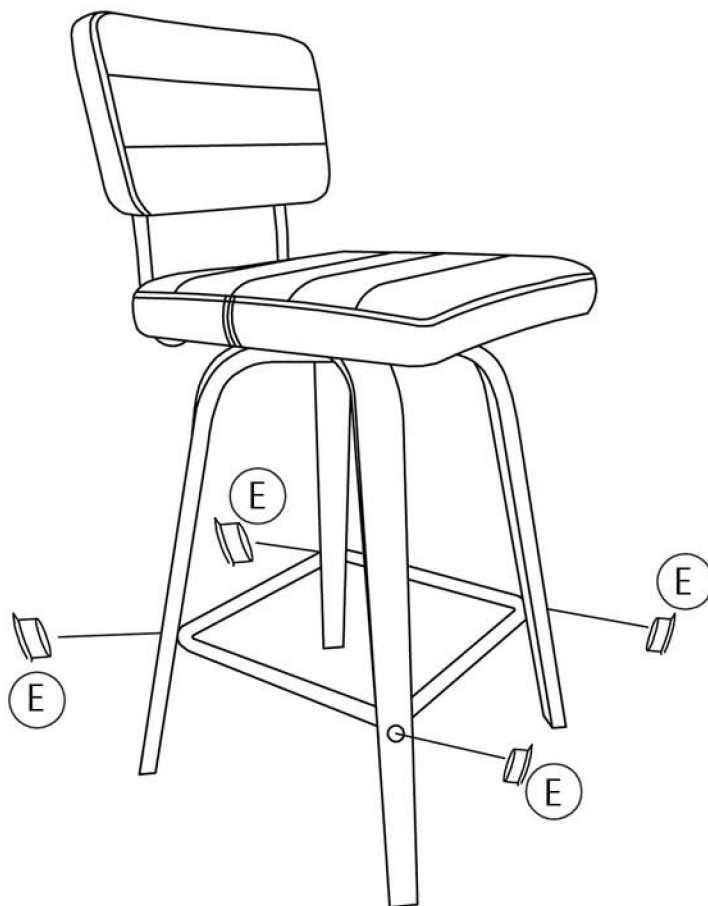


- Assemble the legs with seat using Screws Ⓐ and Rubber Ⓓ .
Please put the two **Rubber (D)** in the front of under seat and tighten all screws on step 5.

Assembly Steps

Step 6

Ⓔ x4pcs



- Please put insert the **Caps** Ⓔ to finish it on step 6.

Care and Maintenance

- It is recommended to wipe off the dust gathering on the counter stool with a soft and clean piece of dry cloth.
- Do not use solvents of any kind, as they may damage the finish of the item.
- It is essential to check if any screws/bolts are loosened periodically and then tighten them accordingly.
- It is important to keep this item in a climate-controlled environment, since extreme temperatures and humidity changes can cause fading, warping, shrinking and splitting of wood.
- This item is designed to be used indoors only, please avoid using it outdoors, as direct exposure to sunlight or rainwater will curtail its durability.
- Weight capacity for each shelf is 300lbs, to make the counter stool work as intended, please make sure the total weight of objects placed on each shelf is below 300lbs.
- Keep the counter stool away from pointed objects or corrosive chemicals to protect its surface from being damaged.
- Never stand, sit or lie on the counter stool, nor it can be used as a ladder.
- Following the tips above will help the item retain its performance even when it ages over time.

Designed for your house, a New Living Style.

CUSTOMER SERVICE

Contact Us: 646-204-5003

9:00 am-5:00 pm (Pacific Time)

Monday through Friday

