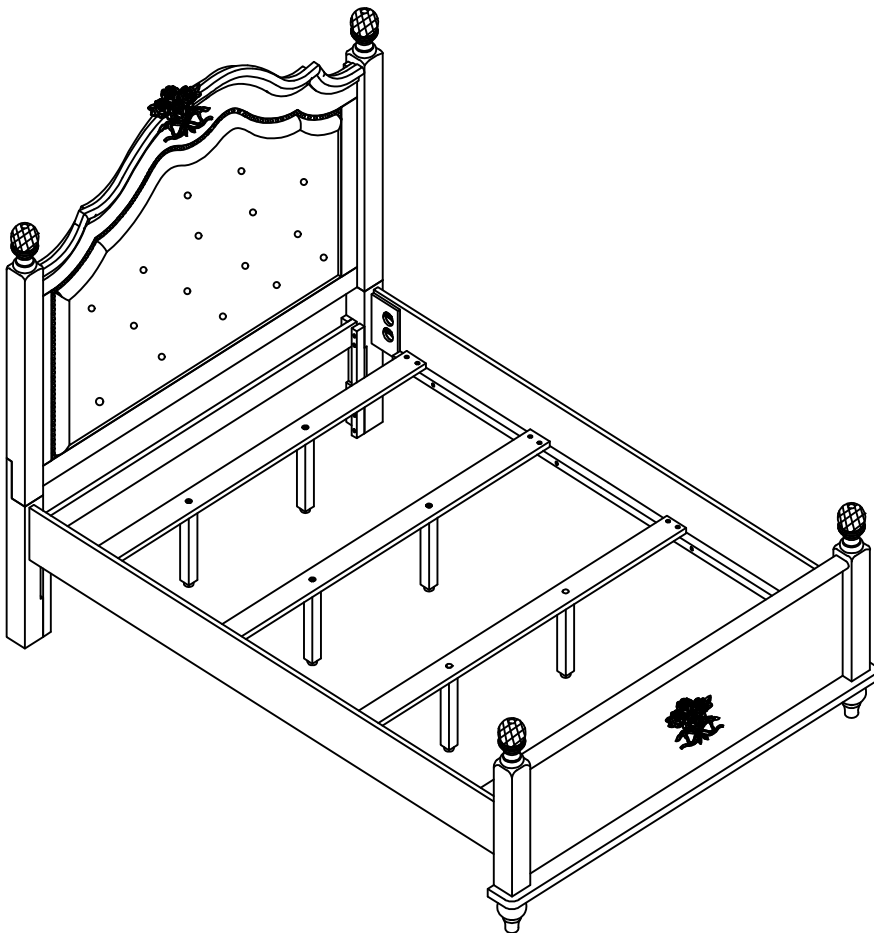


ASSEMBLY INSTRUCTIONS



TOOLS REQUIRED



Allen Wrench

(Included)



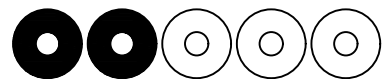
Phillips
Screwdriver

(Not Included)



3 - People
Recommended

ASSEMBLY RATING

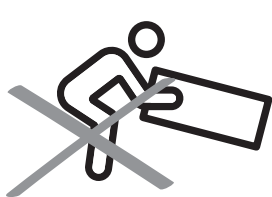


EASY —————> DIFFICULT

The Assembly Rating is a 5-point system showing the level of effort needed to assemble a specific product.

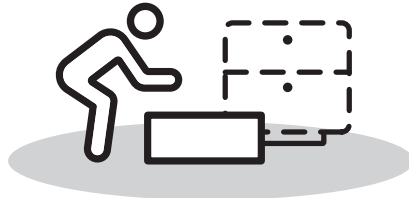
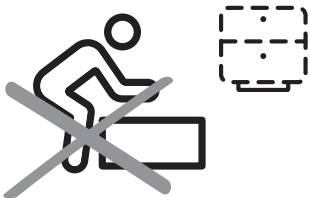
PRE ASSEMBLY INTRODUCTION

We understand building ready-to-assemble furniture can be a challenging experience for some. To help avoid confusion, we have provided some helpful tips that may speed up the process.



Teamwork

ALWAYS have at least two people to help with transporting and assembling the product to avoid potential injury and/or damage.



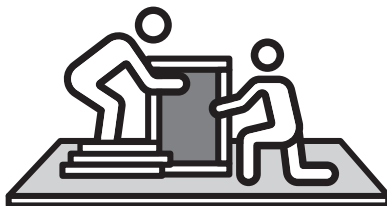
Suitable Location

Assembling near the area of the intended location is highly recommended.



Sufficient Space

Make sure you have enough space to move around during the assembly.



Avoid Scratches

Use cardboard, blankets or a carpeted area while assembling furniture to prevent scratches.



Flat Surface

Make sure the furniture rests on a flat and level surface with each leg evenly touching the floor.

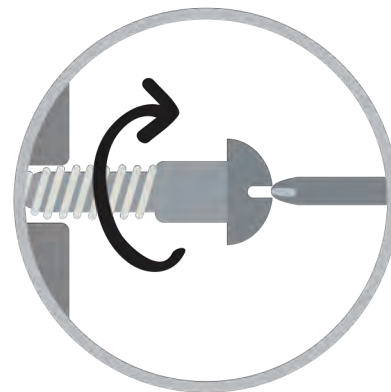
ASSEMBLY AND CARE ADVICE



FAILURE TO FOLLOW THE GUIDELINES BELOW MAY RESULT IN INJURY AND/OR PROPERTY DAMAGE.



Position each part correctly and insert screws or bolts into their respective holes.



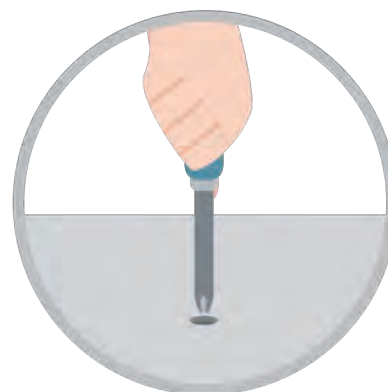
Turn clockwise to tighten and only tighten when step is completed or when instructed to do so.



Use the appropriate hand tools or power tools for assembly. Select steps, such as tightening screws and/or bolts, may require hand tools to avoid causing damage during assembly.



Save the instructions and store any supplied tools for later maintenance.



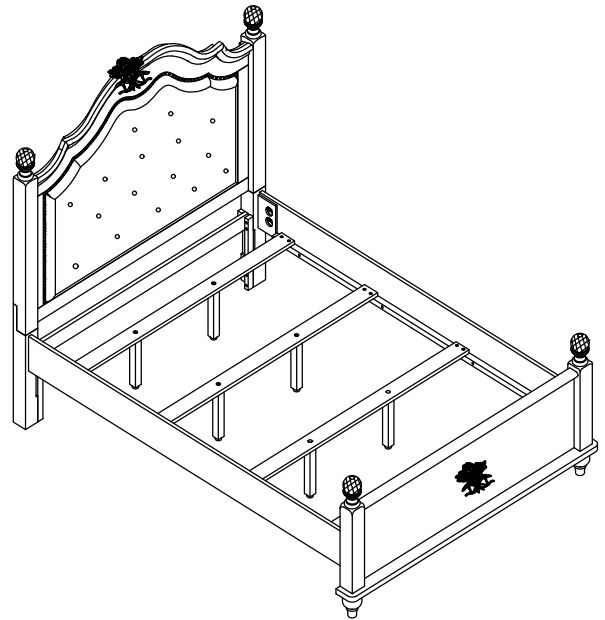
After two weeks, check and tighten any loose hardware and repeat again every six months thereafter.

IT IS THE USER'S RESPONSIBILITY TO MAINTAIN THE FURNITURE. THE HARDWARE MAY LOOSEN OVER TIME AND MAY CAUSE THE FURNITURE TO BE WOBBLY AND UNABLE TO SUPPORT ITS INTENDED WEIGHT CAPACITY. THIS MAY LEAD TO COLLAPSE AND MAY CAUSE SERIOUS INJURY.

Bed

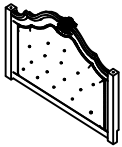


- Please keep instructions for future reference.
- Check the quantity and irregularity of parts and hardware before you start.



PARTS

#1 1pc



UPH Headboard Panel

#2 2pcs



Leg(R/L)

#3 1pc



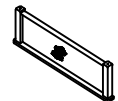
Wooden Rods

#4 4pcs



Crystal & Turning

#5 1pc



Storage Footboard

#6 2pcs



Turning Leg

#7 2pcs



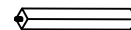
Bed Side Rail

#8 4pcs



Slat rolls

#9 8pcs



Center Support Leg

HARDWARE

#A 2pcs



Bolt
Ø1/4" x 1-1/2"

#B 2pcs



Lock Washer
Ø1/4"

#C 2pcs



Flat Washer
Ø1/4"

#D 6pcs



Bolt
Ø5/16" x 2"

#E 6pcs



Lock Washer
Ø5/16"

#F 6pcs



Flat Washer
Ø5/16"

#G 1pc



Allen Wrench

#H 8pcs



Bolt
Ø5/16" x 4"

#I 8pcs



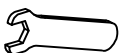
Nylon Washer
Ø5/16"

#J 8pcs



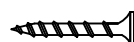
Hex Nut
Ø5/16"

#K 1pc



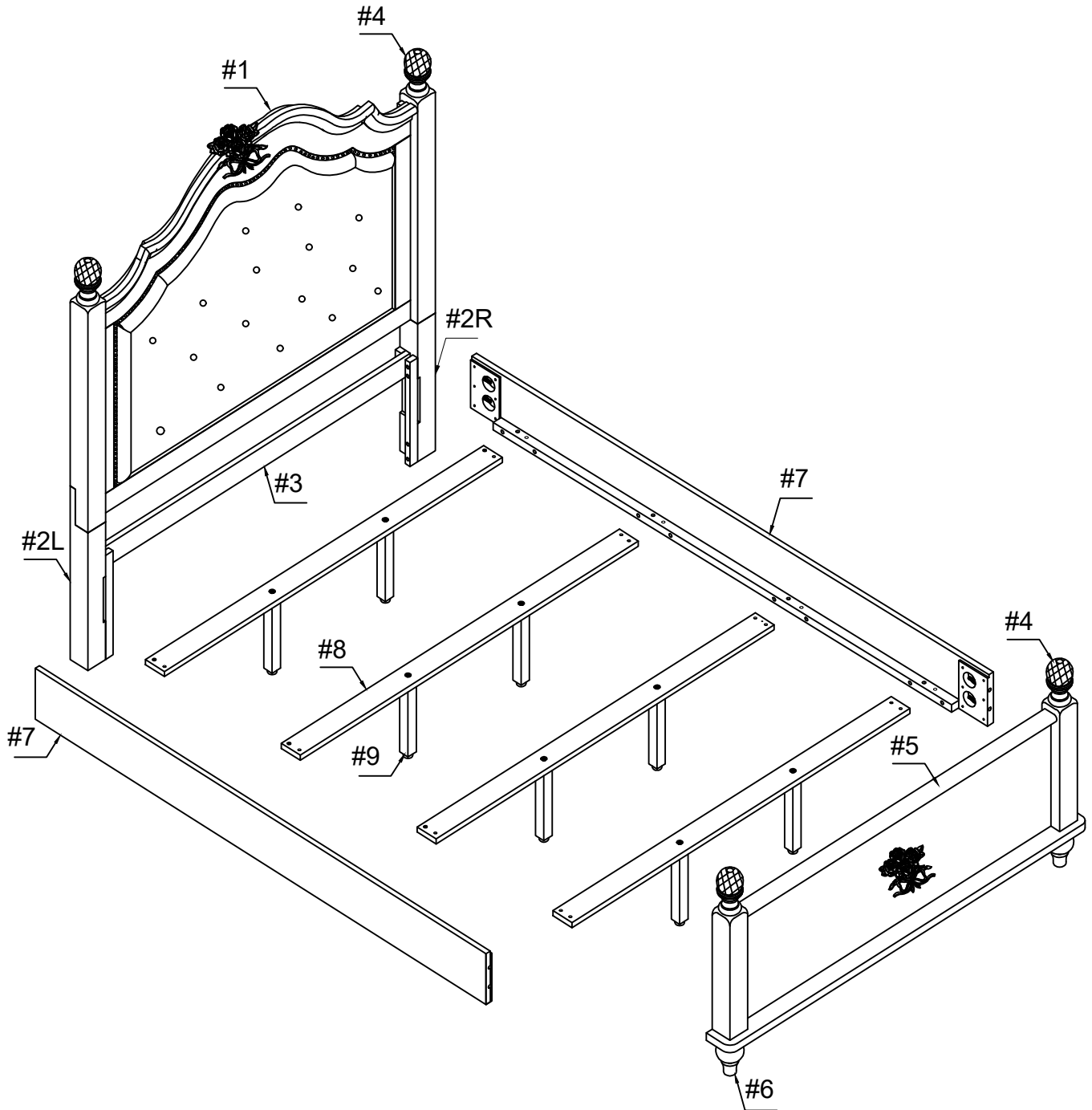
Wrench
12mm

#L 16pcs

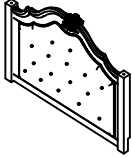



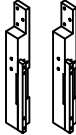



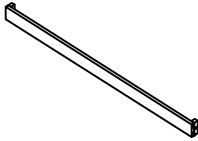



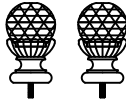

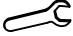
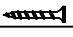
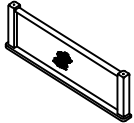
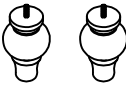
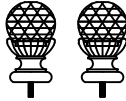
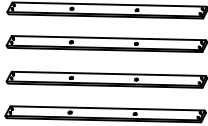
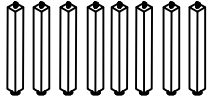
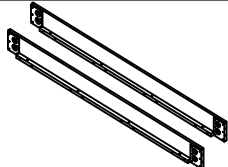


Screw 30mm

Exploded View



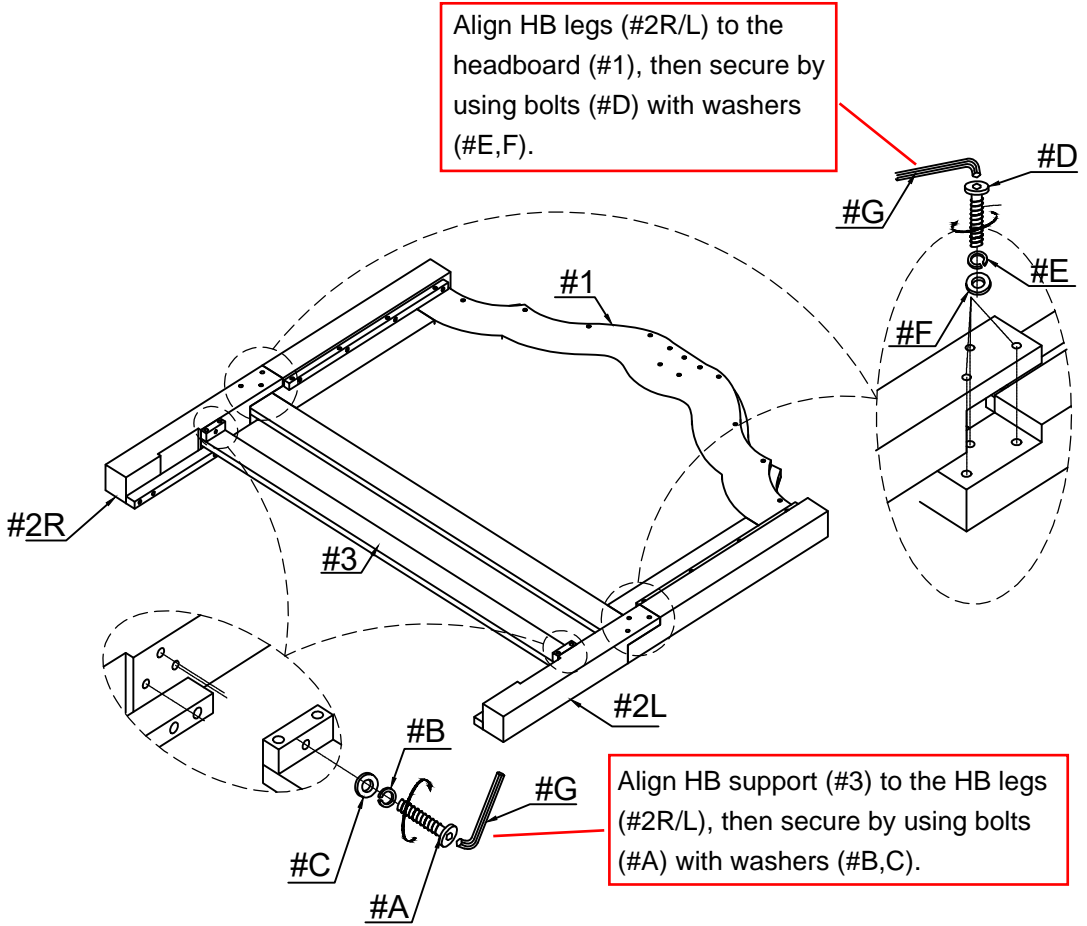
packed in 3 cases

Carton	Disignation	Part	Hardware
1	UPH Headboard Panel	#1 	 #A x2pcs  #B x2pcs  #C x2pcs
	Leg(R/L)	#2 	 #D x6pcs  #E x6pcs  #F x6pcs
	Wooden Rods	#3 	 #G x1pc  #H x8pcs  #I x8pcs
	Crystal & Turning	#4 	 #J x8pcs  #K x1pc  #L x16pcs
2	Storage Footboard	#5 	
	Turning Leg	#6 	
	Crystal & Turning	#4 	
	Slat rolls	#8 	
	Center Support Leg	#9 	
3	Bed Side Rail	#7 	

ASSEMBLY INSTRUCTIONS

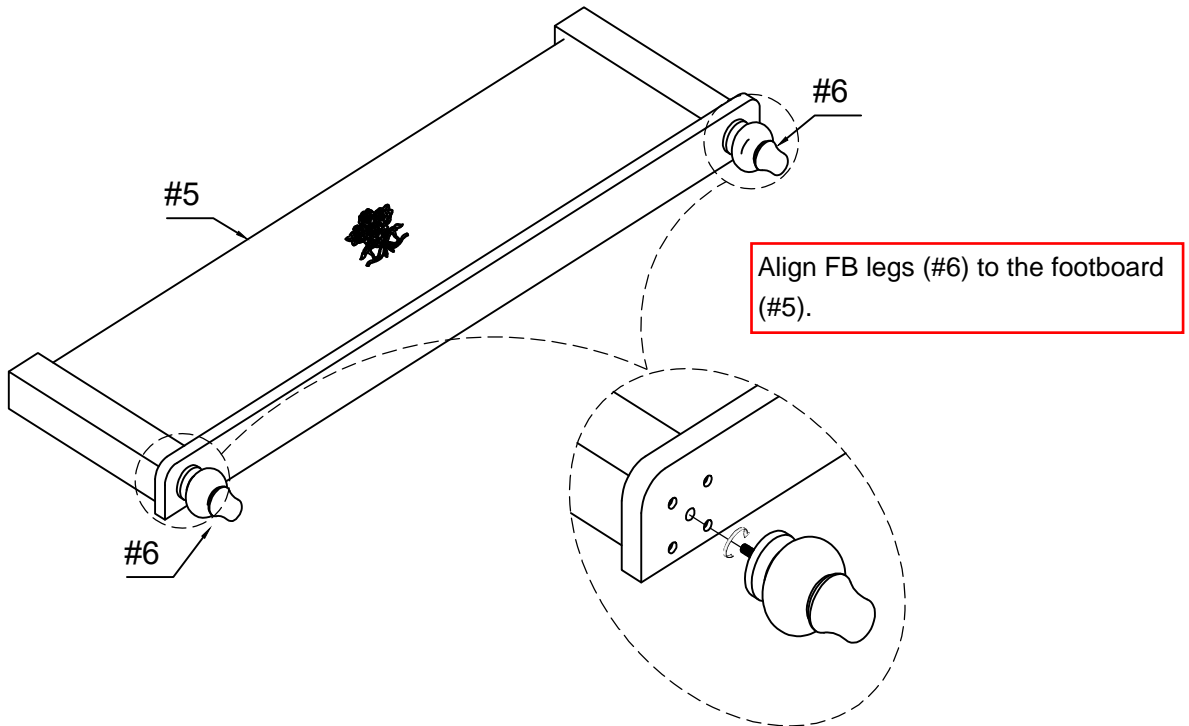
1

- Part #1 x 1pc
- Part #2 x 2pcs
- Part #3 x 1pc
- Hardware #A x 2pcs
- Hardware #B x 2pcs
- Hardware #C x 2pcs
- Hardware #D x 6pcs
- Hardware #E x 6pcs
- Hardware #F x 6pcs



2

- Part #5 x 1pc
- Part #6 x 2pcs

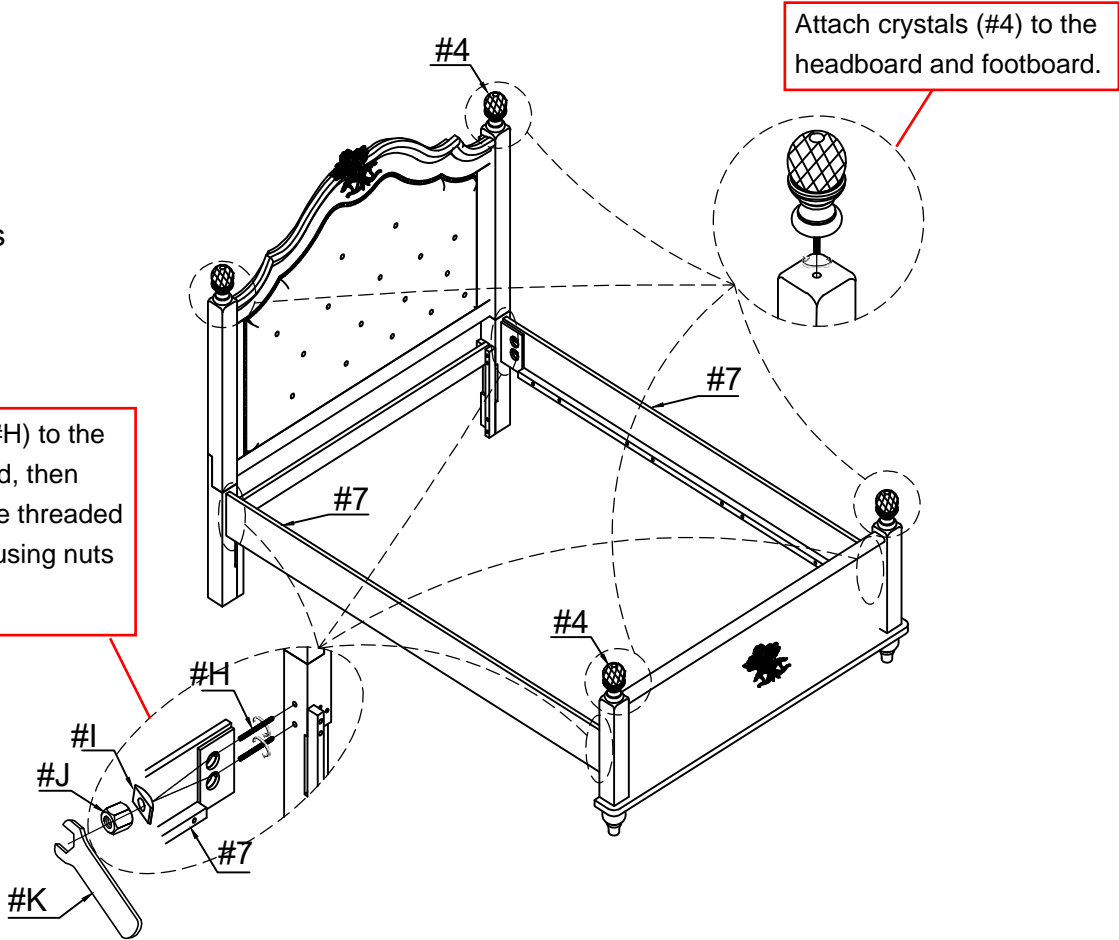


ASSEMBLY INSTRUCTIONS

3

- Part #4 x 4pcs
- Part #7 x 2pcs
- Hardware #H x 8pcs
- Hardware #J x 8pcs
- Hardware #I x 8pcs

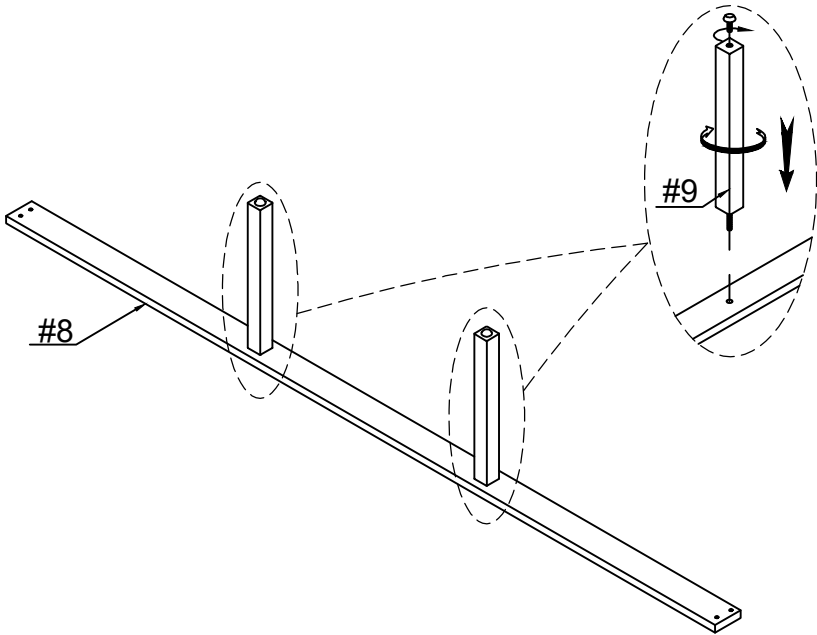
Attach threaded studs (#H) to the headboard and footboard, then align side rails (#7) to the threaded studs (#H). Secure by using nuts (#J) with washers (#I).



4

- Part #8 x 4pcs
- Part #9 x 8pcs

Attach support legs (#9) to the slats (#8).



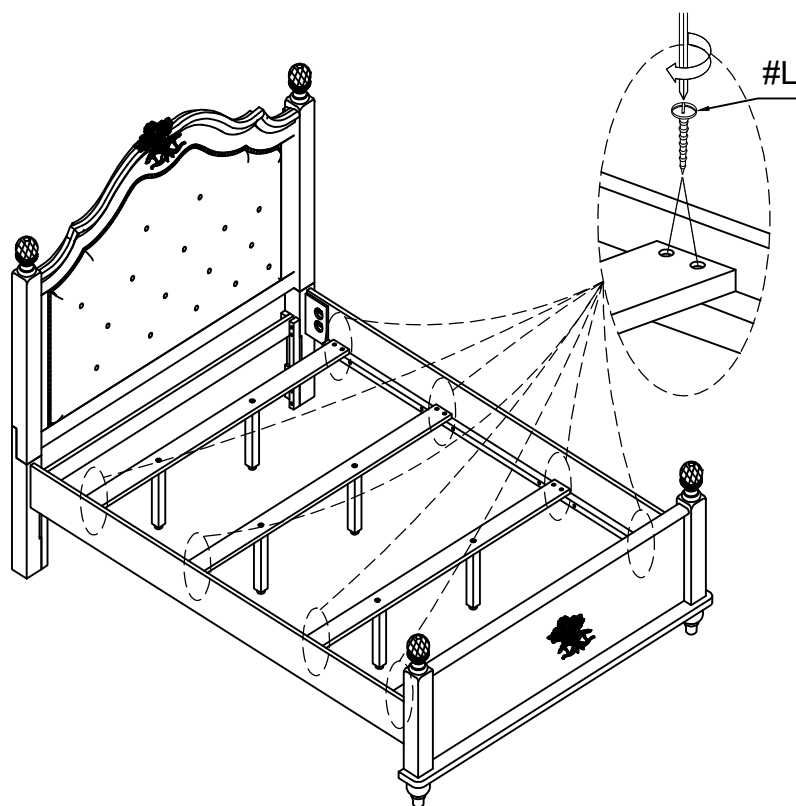
x4

ASSEMBLY INSTRUCTIONS

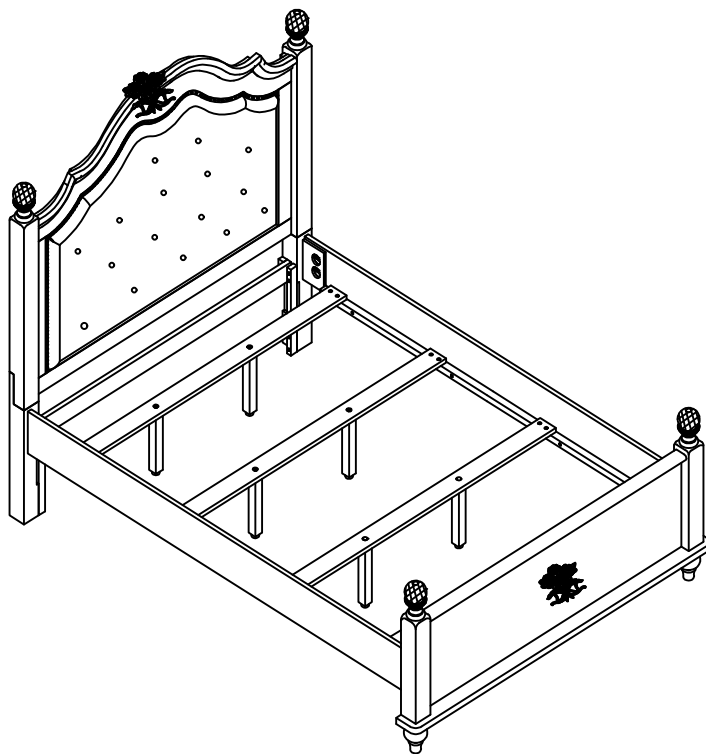
5

Hardware (#L) x16pcs

Align slats to the side rails, then secure by using screws (#L).



6



ASSEMBLY COMPLETED



Please ensure the furniture rests on an even and flat surface. If the product wobbles or feels loose, double-check all bolts and/or screws are properly tightened and secured.



Keep this handy!

Please retain this instruction manual and any order-related information for future reference.



Lift, don't drag!

To avoid damage to product please always LIFT the product when transporting or adjusting the placement.