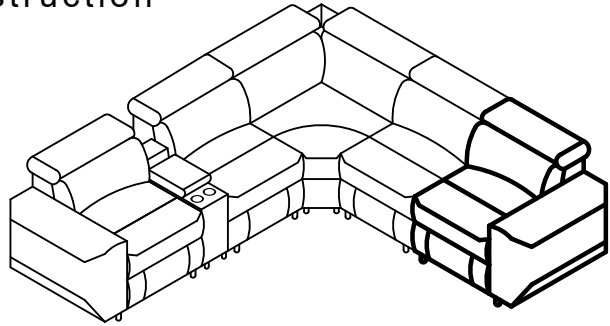


RECLINING SECTIONAL-RECLINING SEAT

Assembly Instruction



Dear customers,

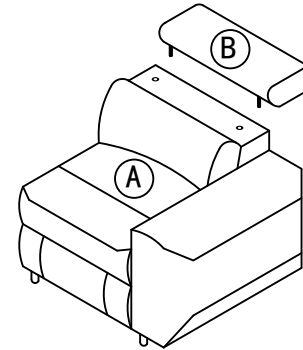
Thank you for purchasing our product. Please read this instruction manual carefully after receiving this product. It will help you assemble this product quickly, safely and correctly. You can keep this manual for future reference.

1

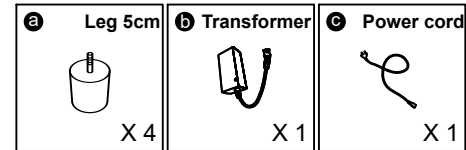
Seller Notice:

Considering the size and weight of the sofa, we recommend two adults to assemble the sofa, on a carpeted or padded area, in the room that it is intended for. Approximate assembly time: 10 minutes.

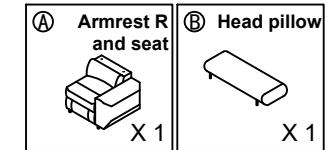
SOFA



Hardware parts

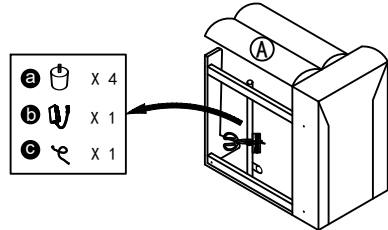


Main structure accessories



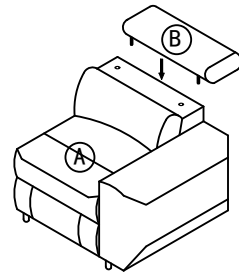
2

STEP 1

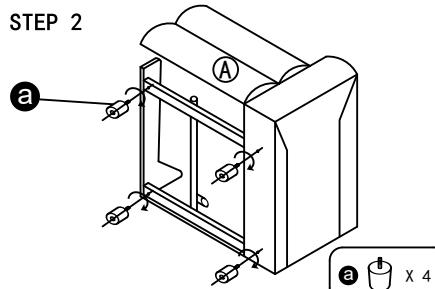


Taking out of Leg 5cm, transformer and power cord from the bottom.

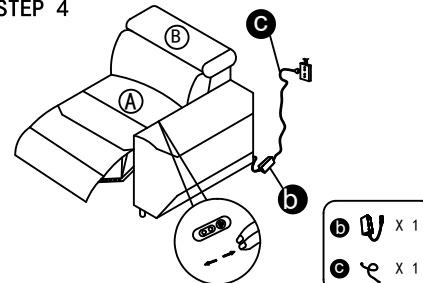
STEP 3



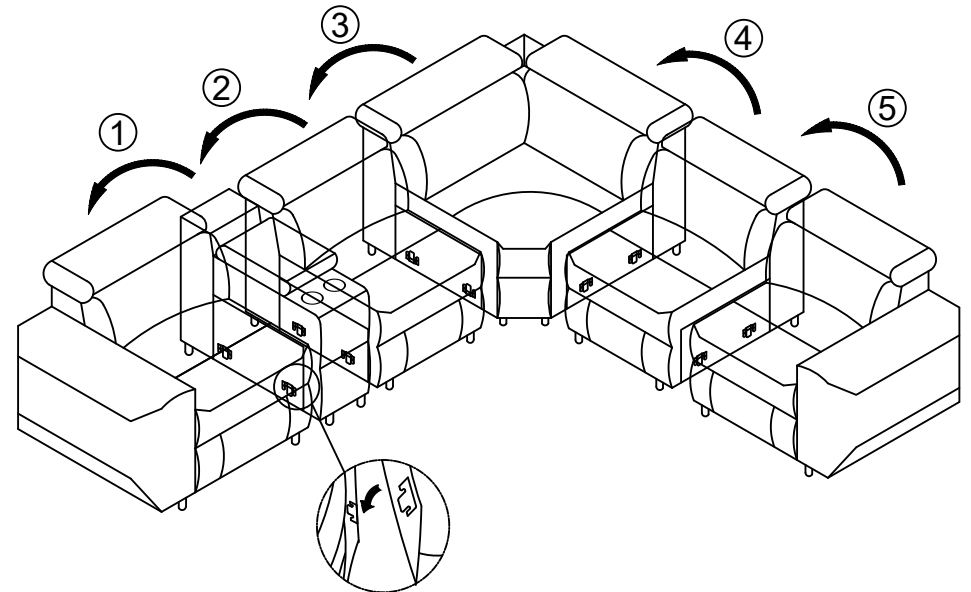
STEP 2



STEP 4



STEP 5



3

4