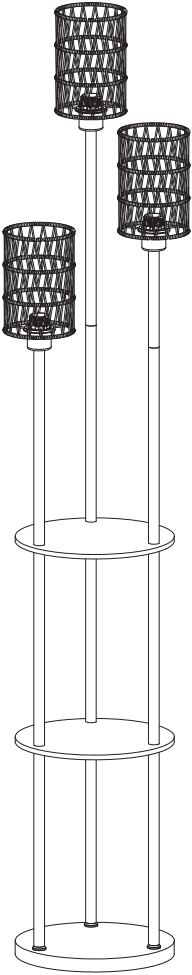


Floor Lamp



General Guidelines

- Please pay attention to the warning signs.
- Please read the instructions with caution before operating and keep it properly.
- This summary may not include every detail of all variations and considered steps. Please feel free to contact us if further information and help are needed.

Warning

1. Before assembly, place all parts out on a clean flat surface and inspect each part for defects that may have occurred during shipping.
2. Inspect wire insulation for any cuts, abrasions or exposed copper that may have resulted during shipping. If there are any defects in the wire, DO NOT continue assembly. Please send an email to our Customer Service immediately.
3. Consult a qualified electrician if you have any electrical questions.
4. To reduce the likelihood of tipping over, we recommend placing the lamp behind furniture and keep children and pets away.
5. Never drape clothes over the lamp.
6. To prevent children from suffocating and choking, keep them away from packing materials.
7. Please keep this manual and hand it over when you transfer the product.

Specifications

- Product Height: 70.5 IN (179cm)
- Wire Length: 70.8 IN (180cm)
- Input Voltage: 120Vac 60Hz
- E26 Socket Max Load: LED Bulb 12 W or Incandescent Bulb 60 W
- Bulb: Not Included

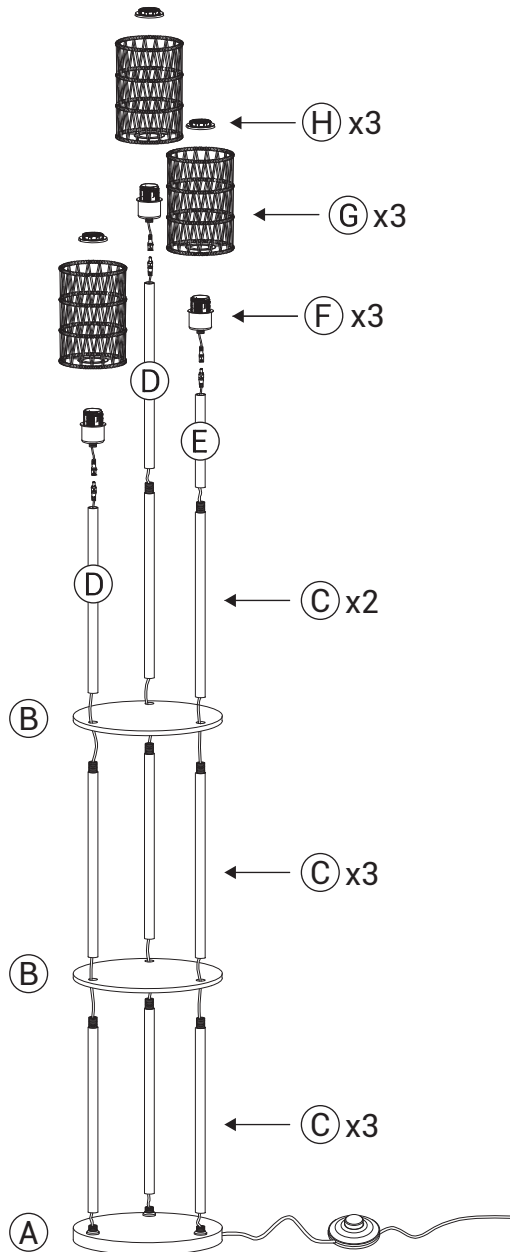
Trouble Shooting

1. If the lamp doesn't work, check that the plug is firmly inserted and the bulb (not included) is properly installed. Then press the foot switch.
2. If it still doesn't work, try a different bulb.









After-sales Service

- For any questions or concern, please attach your Order ID and Name so that our professional customer service team help you within 24 hours.

Exploded

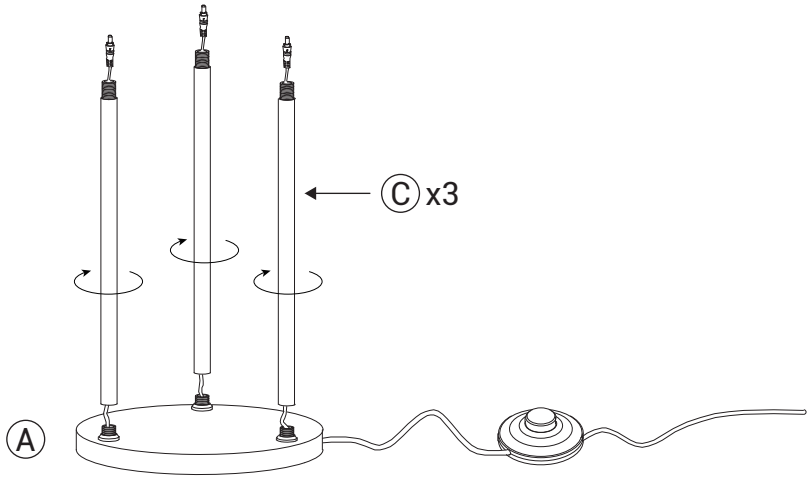


Parts Included

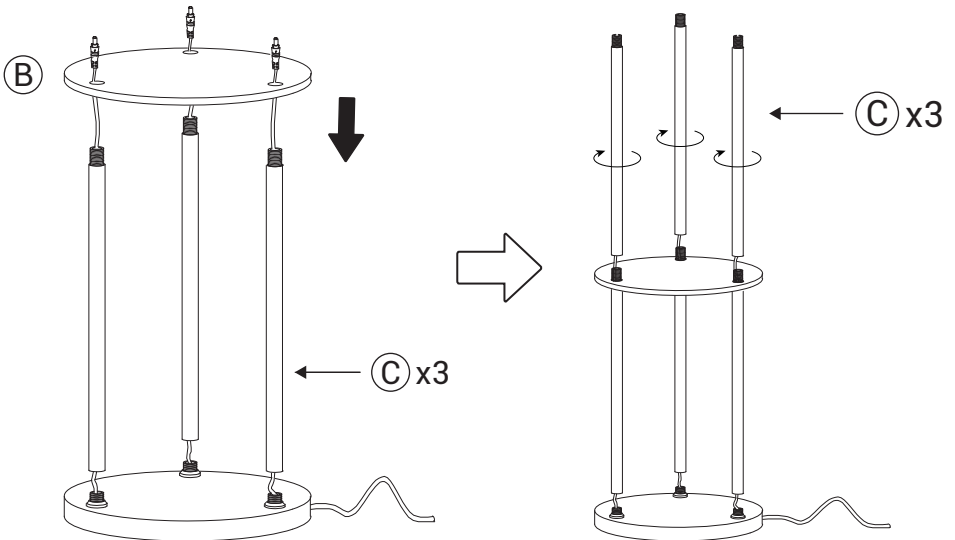
<p>Ⓐ x1</p> 	<p>Ⓑ x2</p> 	<p>Ⓒ x8</p> 	
<p>Ⓓ x2</p> 	<p>Ⓔ x1</p> 	<p>Ⓕ x3 Ⓖ x3</p>  	<p>Ⓖ x3</p> 

⚠ Please check if the parts are intact before starting the assembly.

① Connect base A to pole C.

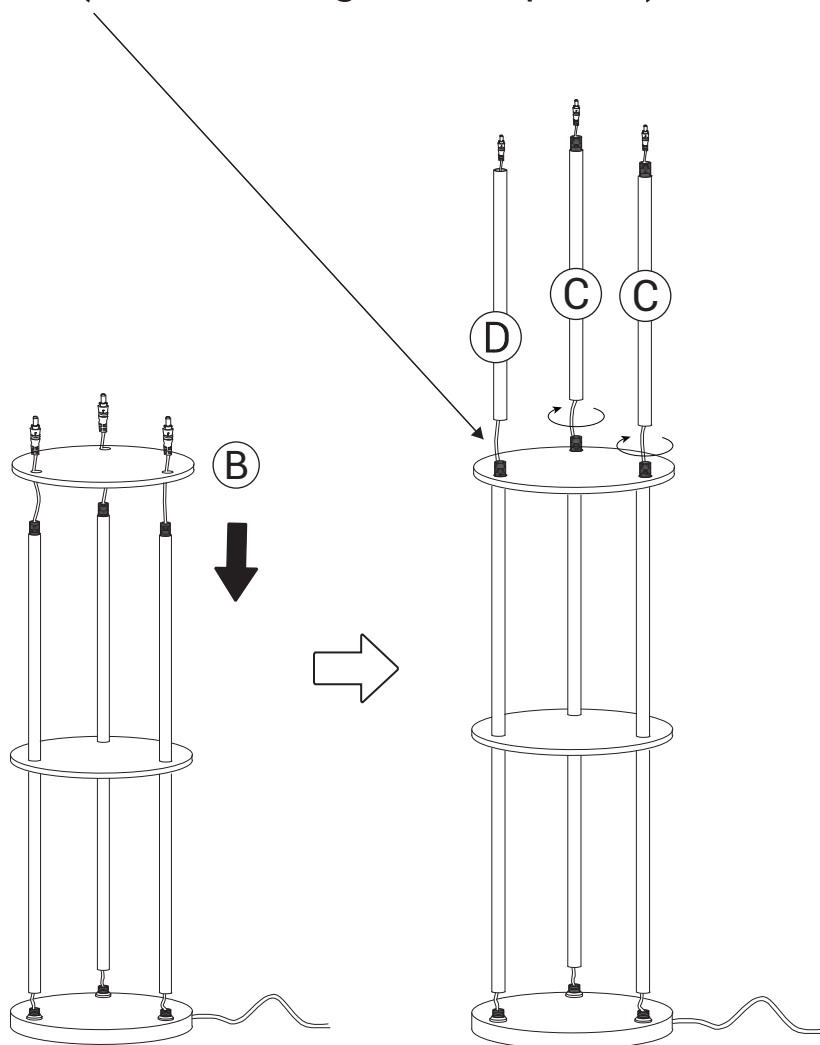


② Place board B on pole C and tighten with pole C.



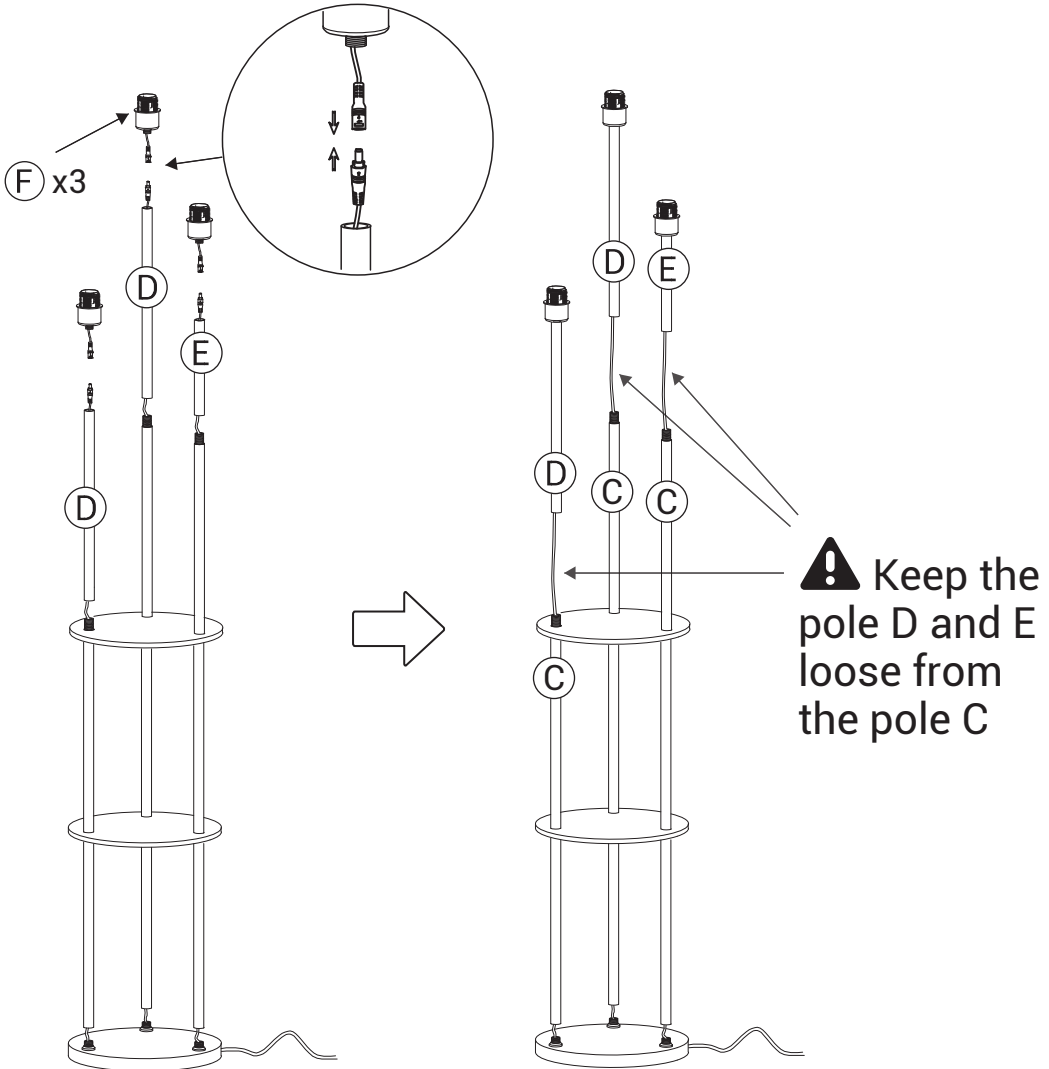
③ Repeat step 2

(No need to tighten the pole D).



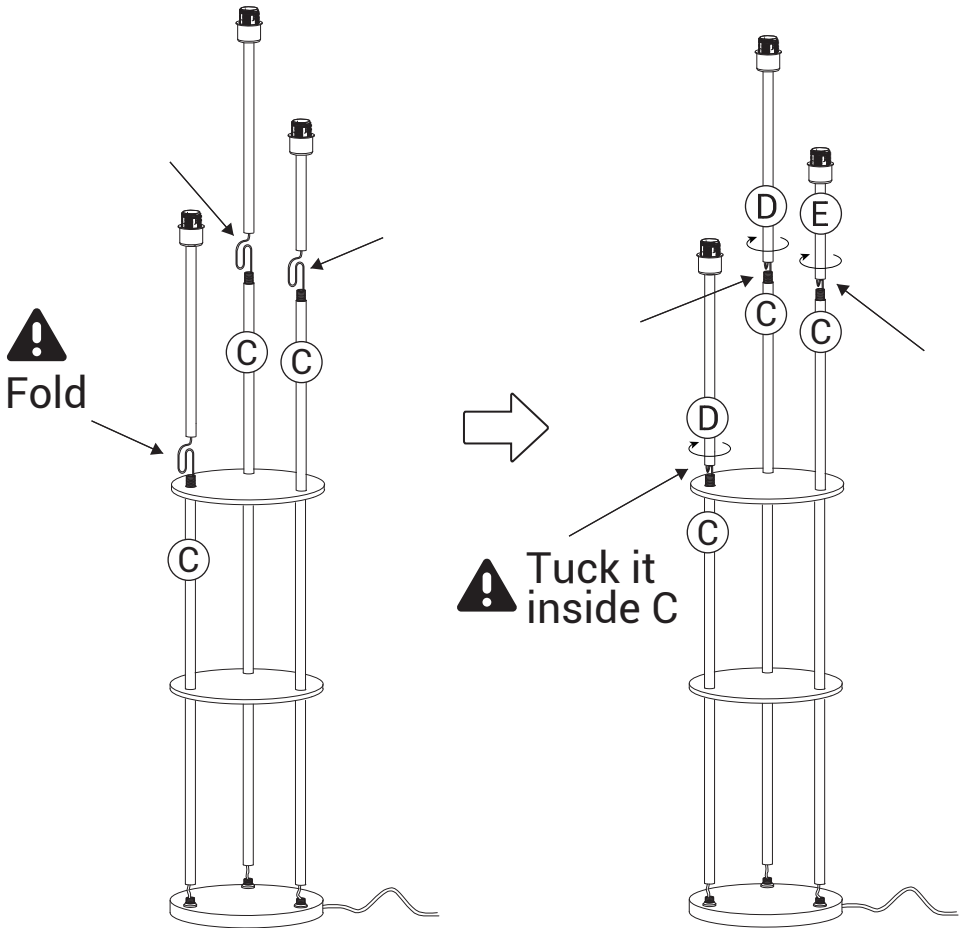
Assembly

- ④ Connect socket F and the wire using the quick connector, then tighten F-E and F-D.
(Keep the pole D and E loose from the pole C)



Assembly

- ⑤ Fold the exposed wires and tuck them inside pole C. Then tighten pole D-C and E-C.



Assembly

- ⑥ Place lampshade G on socket F and secure with socket ring H.
- ⑦ Screw in bulb(not included), plug in the power, and press the switch.

