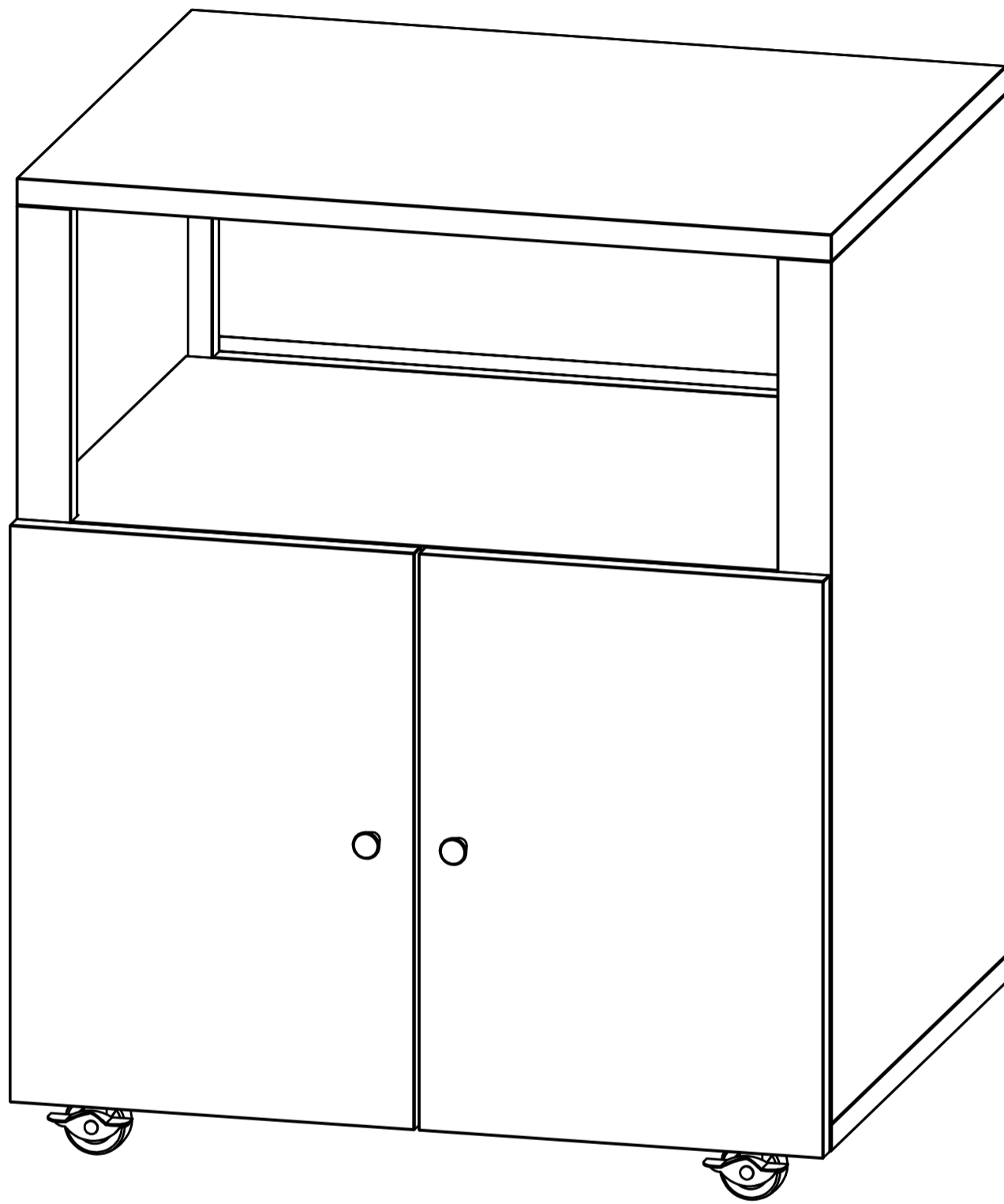
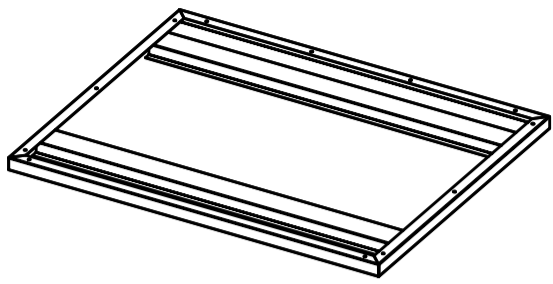


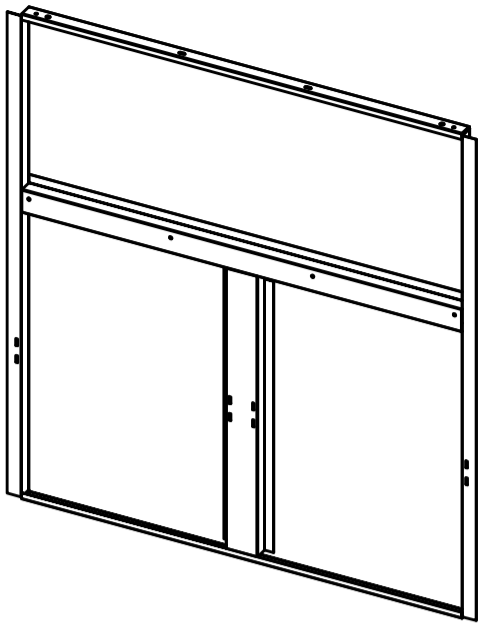
Installation & Assembly



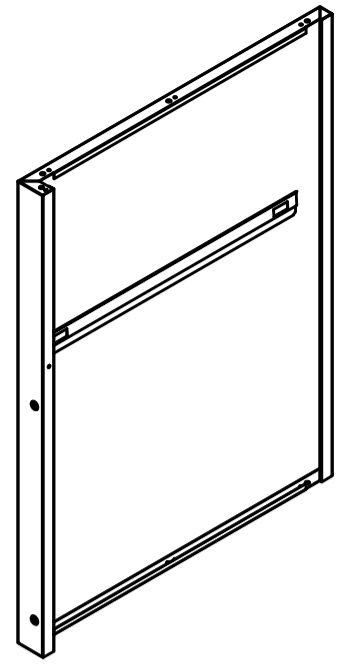
NOTE: Please find a helper to help you assemble it, this is very necessary



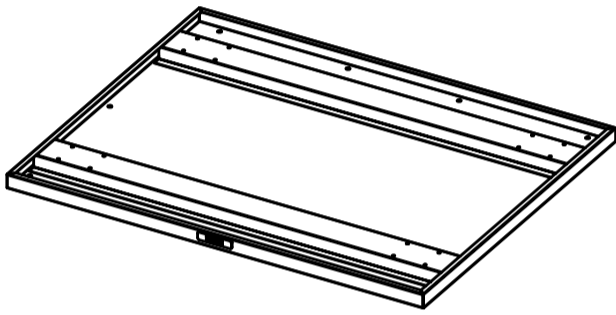
A:Top panel



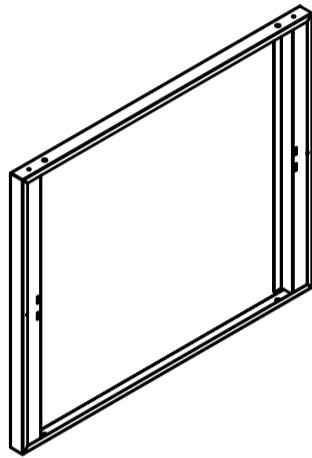
B: Back panel



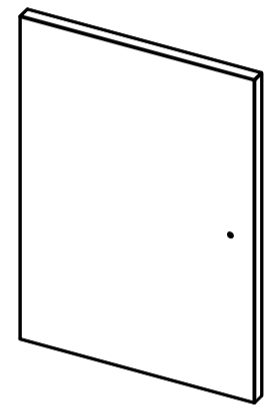
C: Panel x2



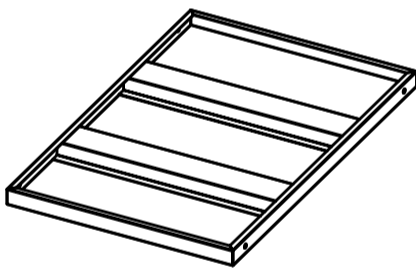
D:Bottom panel



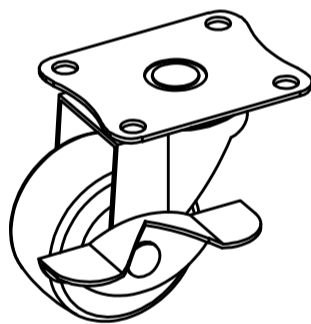
E: Middle panel



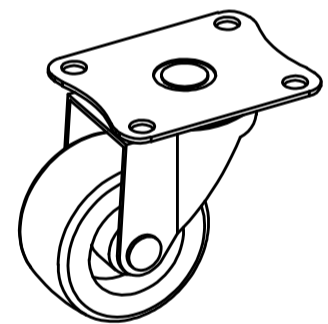
F:Door x2



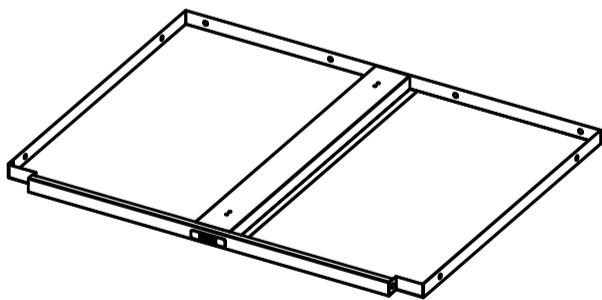
G:Shelf x2



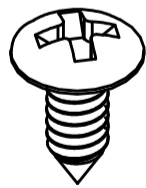
H: Front wheel x2



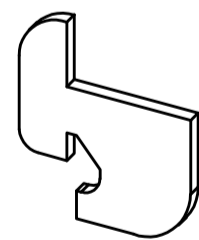
I: Rear wheel x2



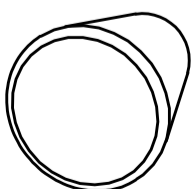
J:Middle shelf



K:5x12mm Screw x50



L:Shelf suppor x8



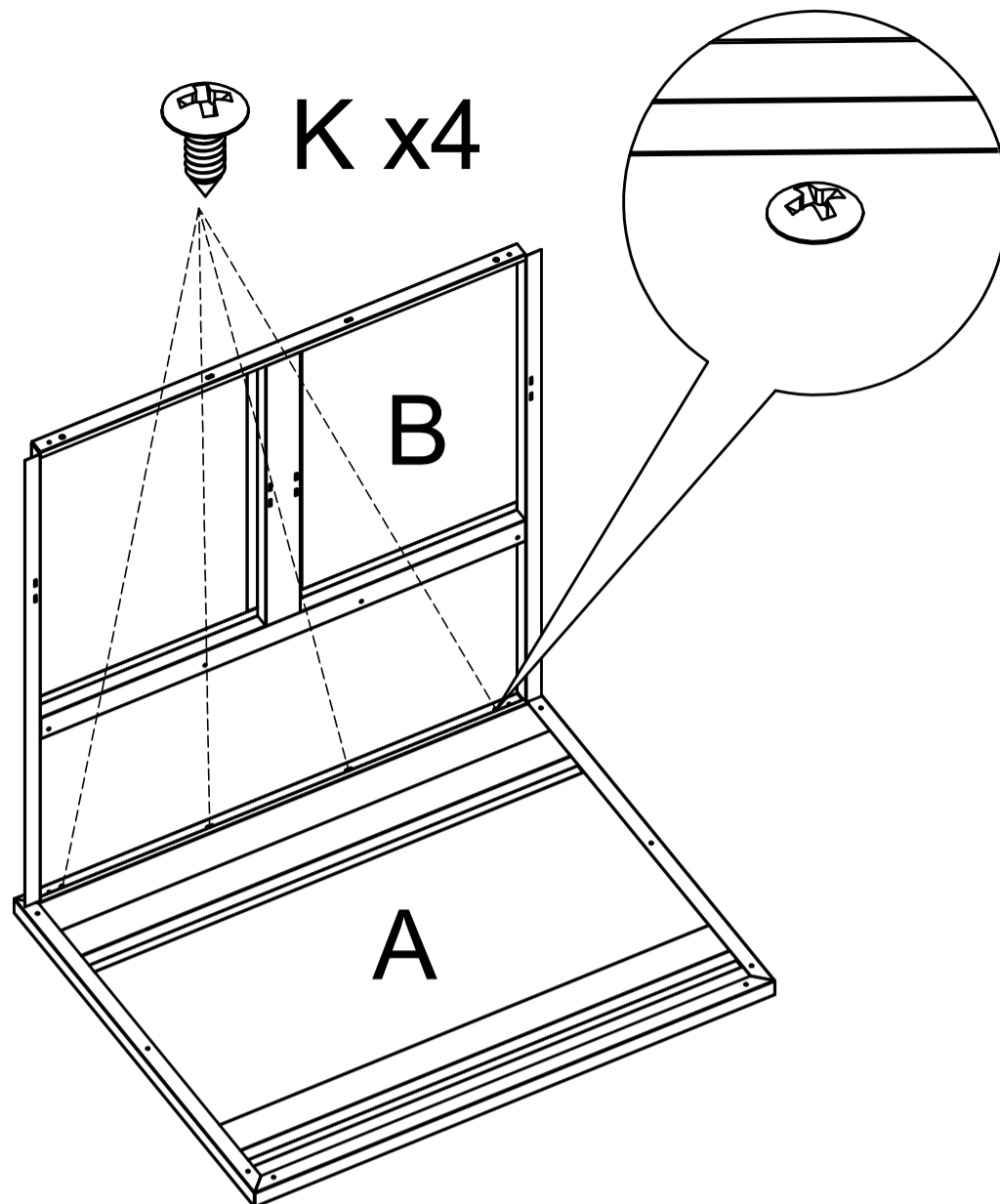
M: Hold hands x2



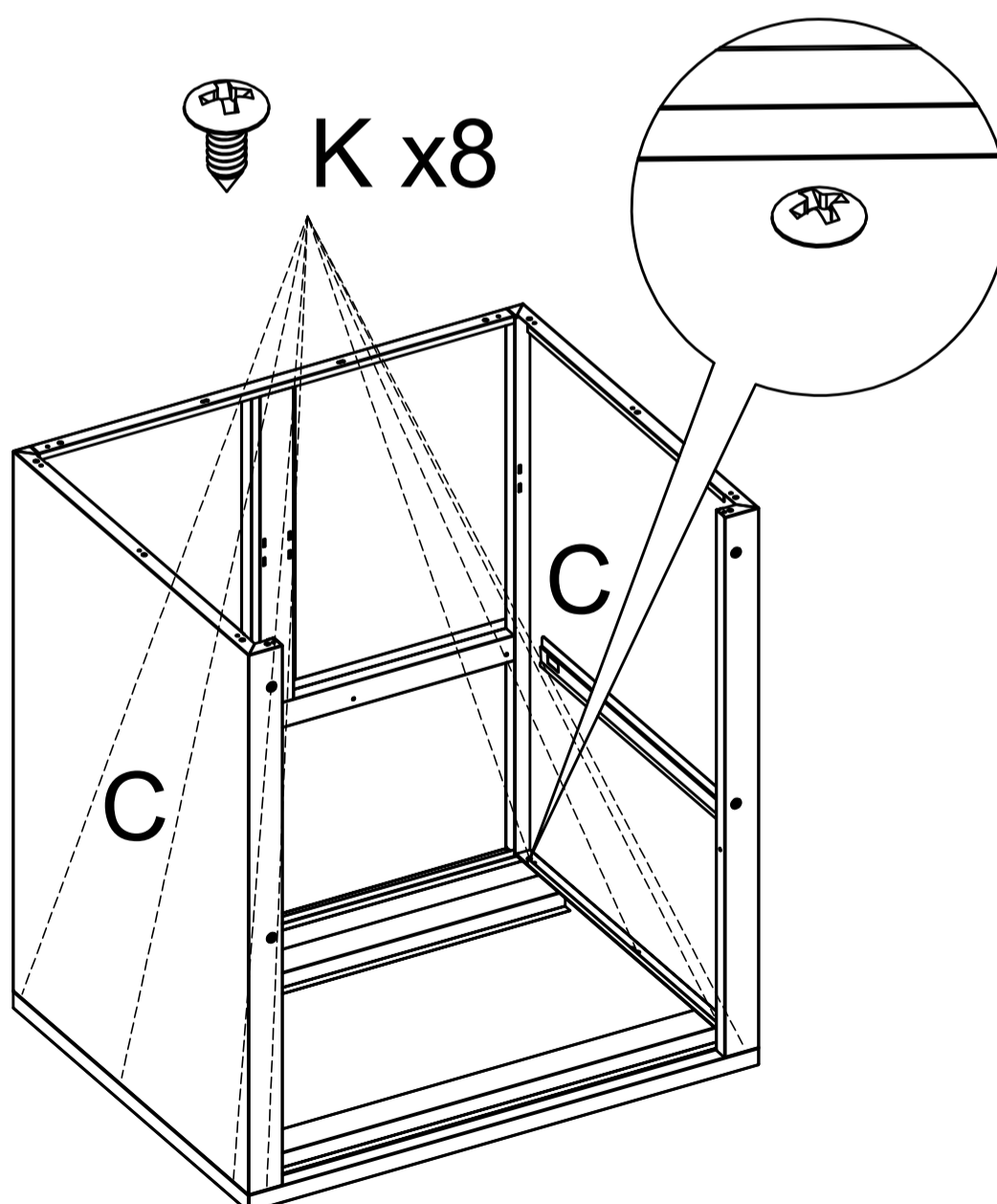
N:Hand screw x2



Q:4x8mm Screw x4



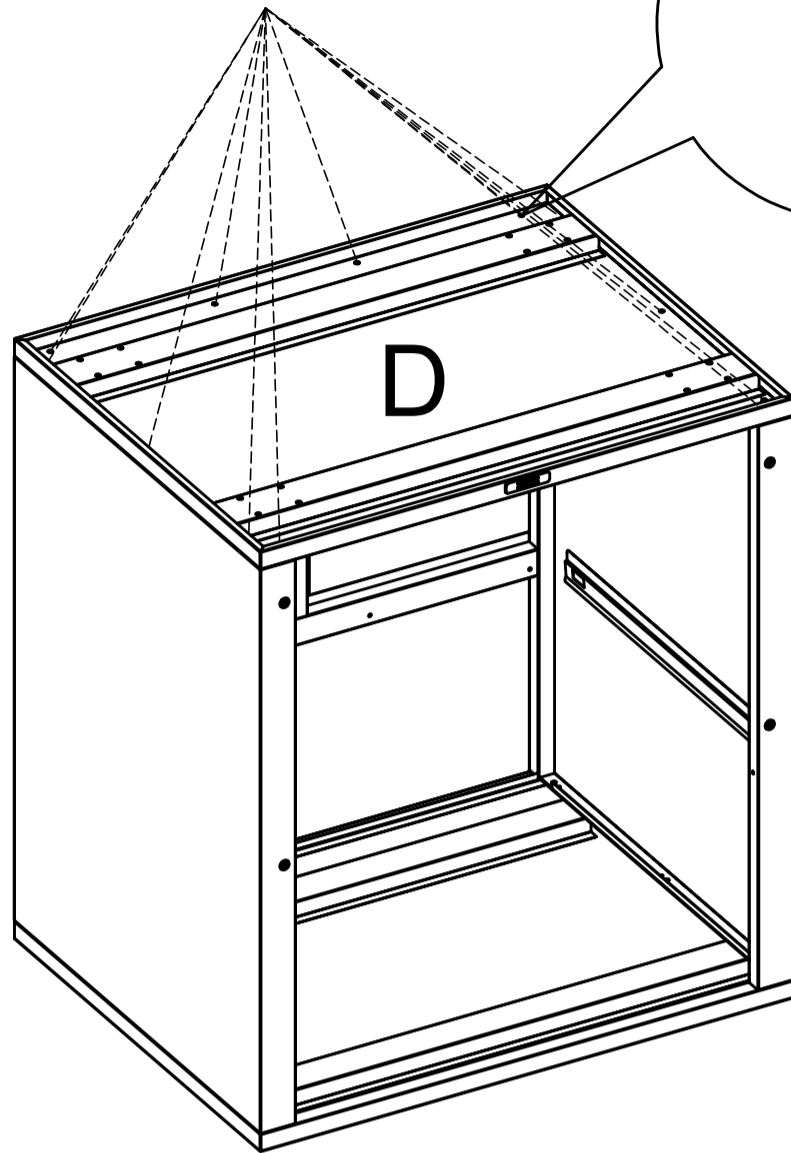
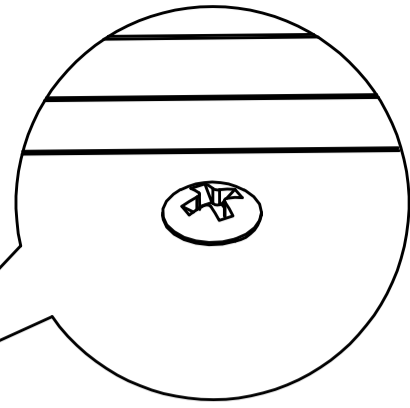
1. Assemble A and B, secure with screws K



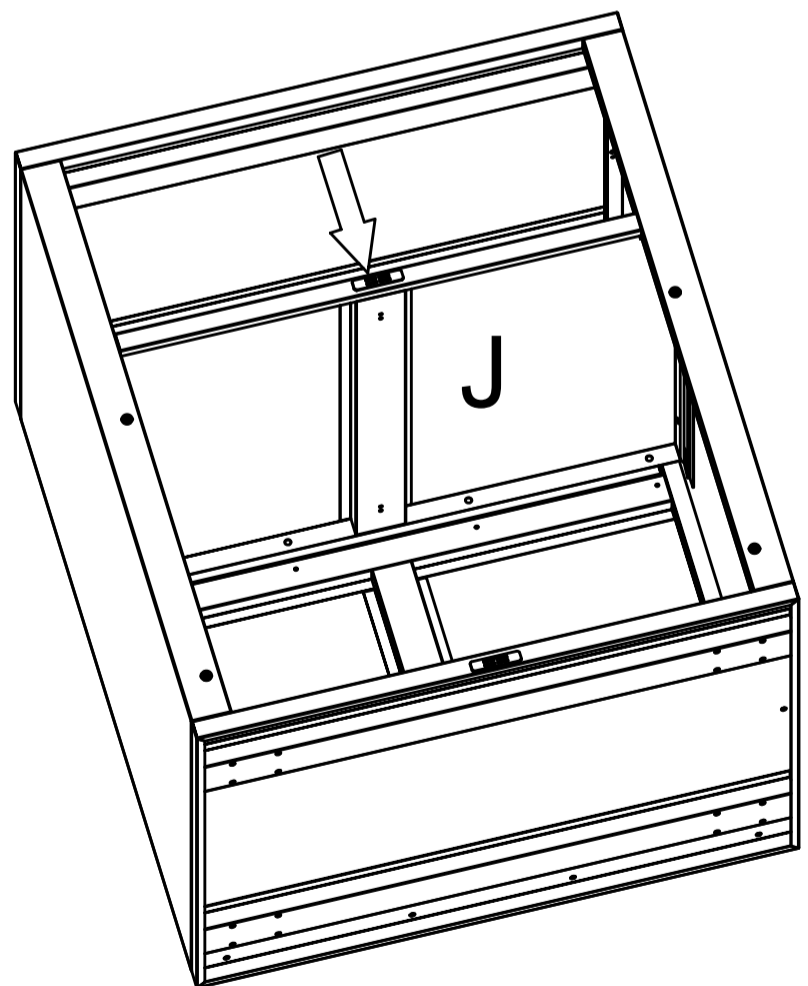
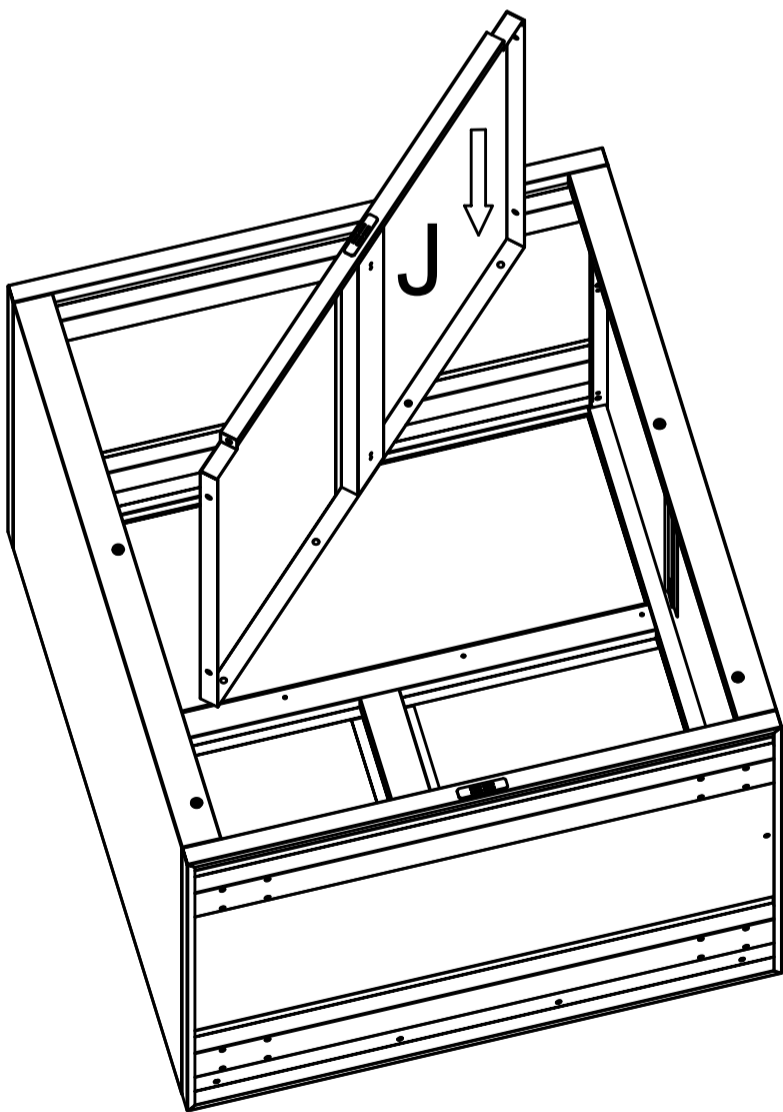
2. Assemble C, secure with screws K




K x12

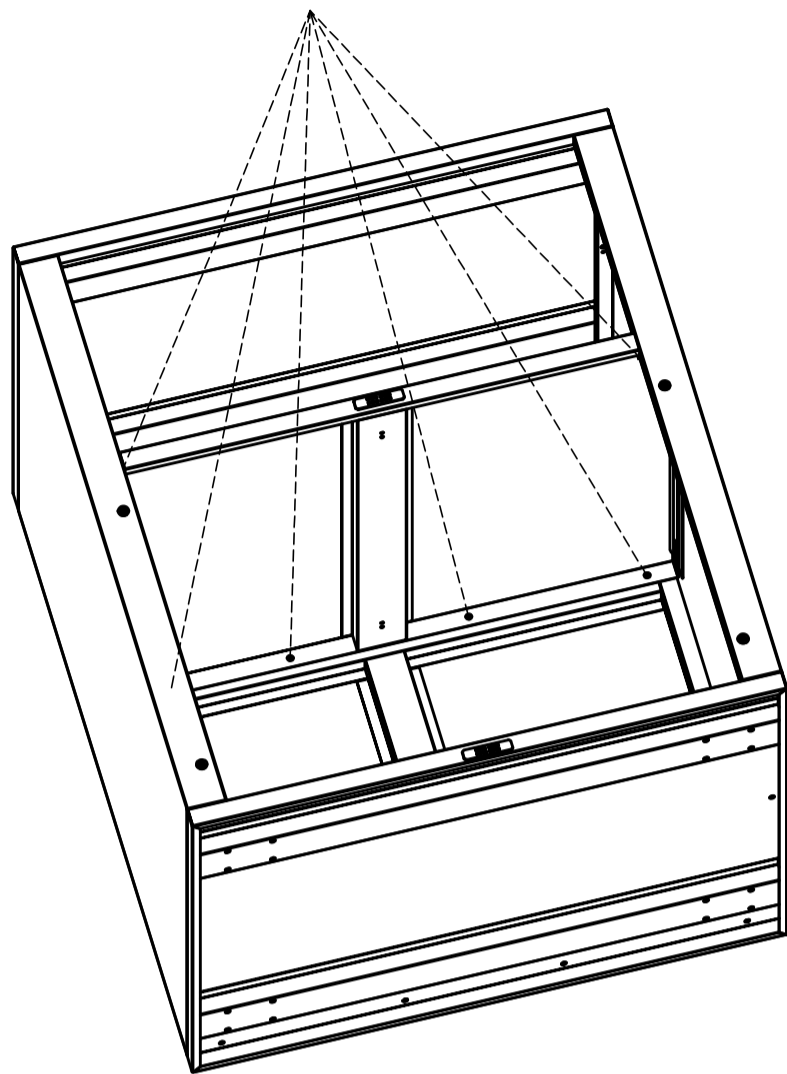


3. Install D, secure with screws K



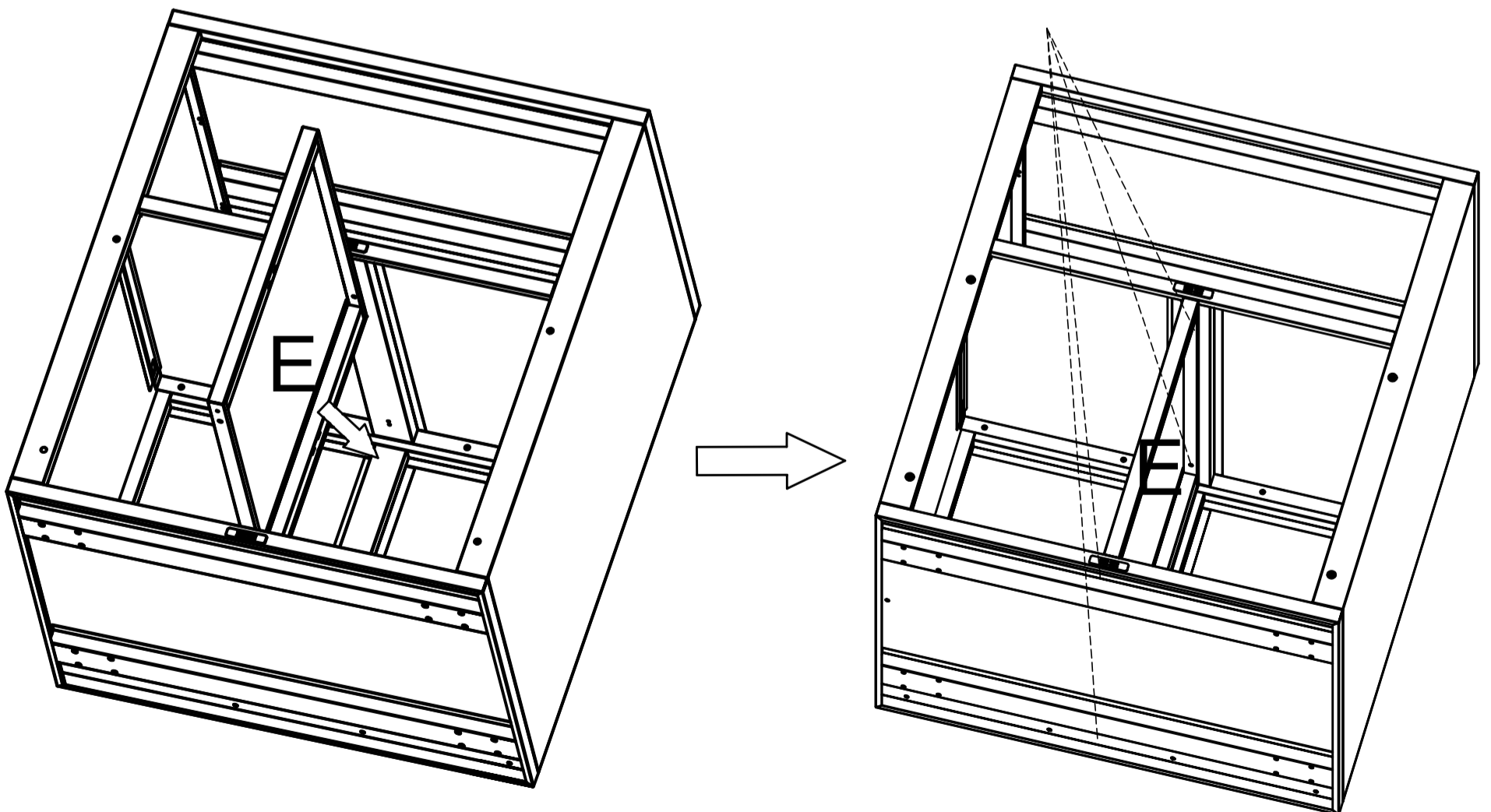
4. Install J

 K x6



5. Secure with screws K

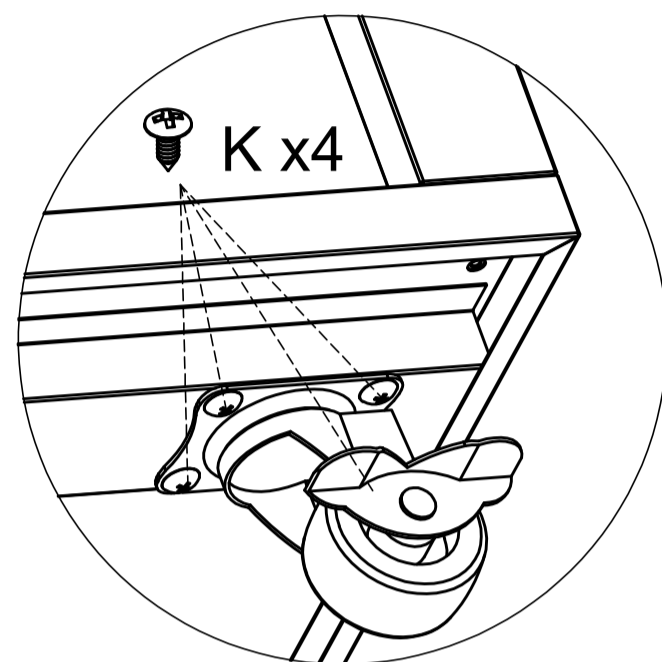
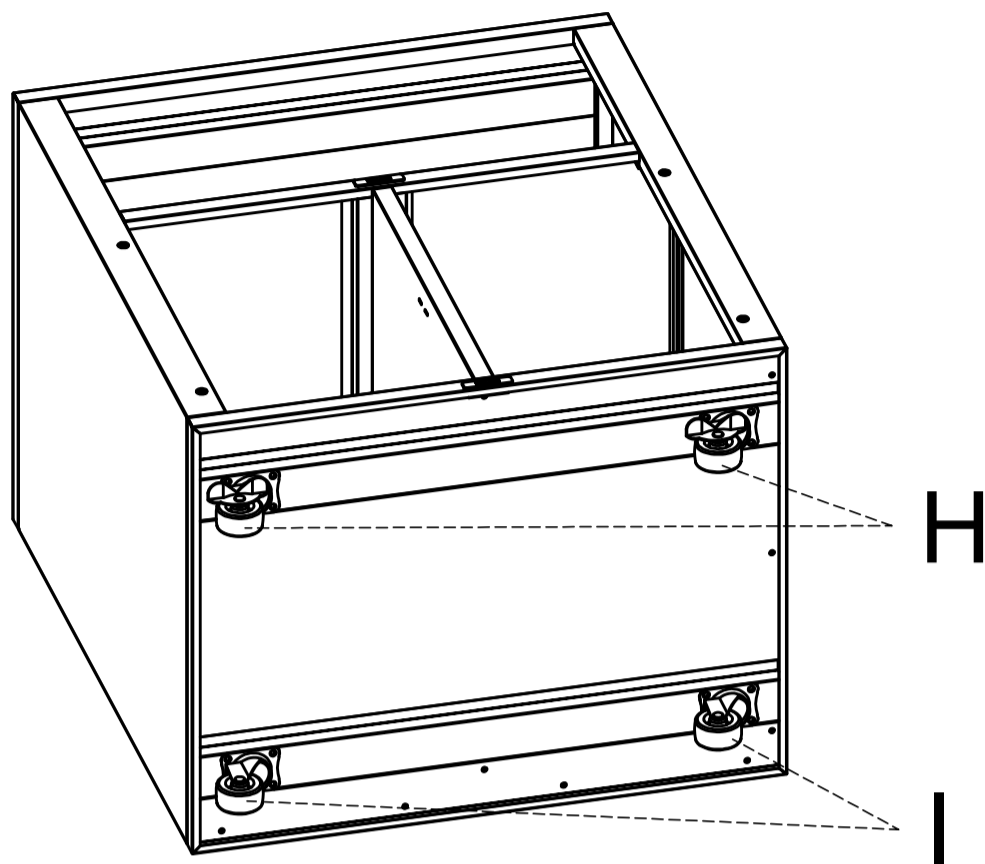
 K x4



6. Install E, secure with screws K

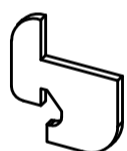


K x16

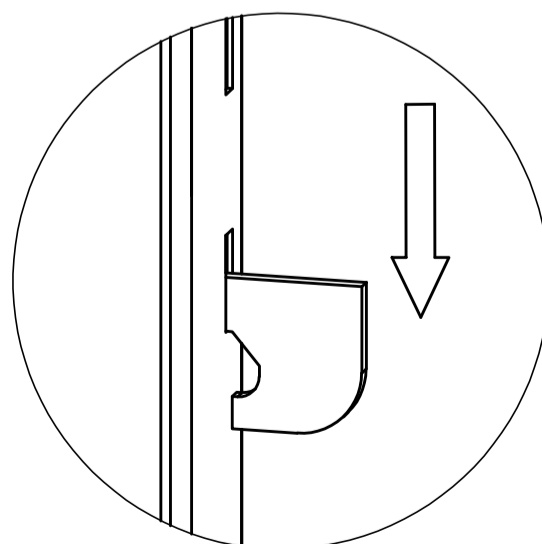
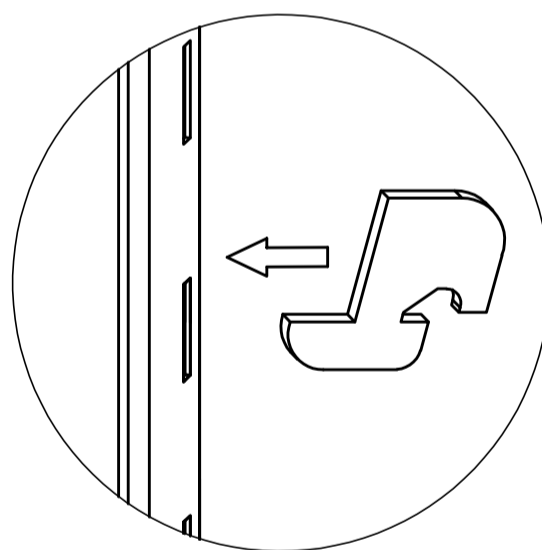
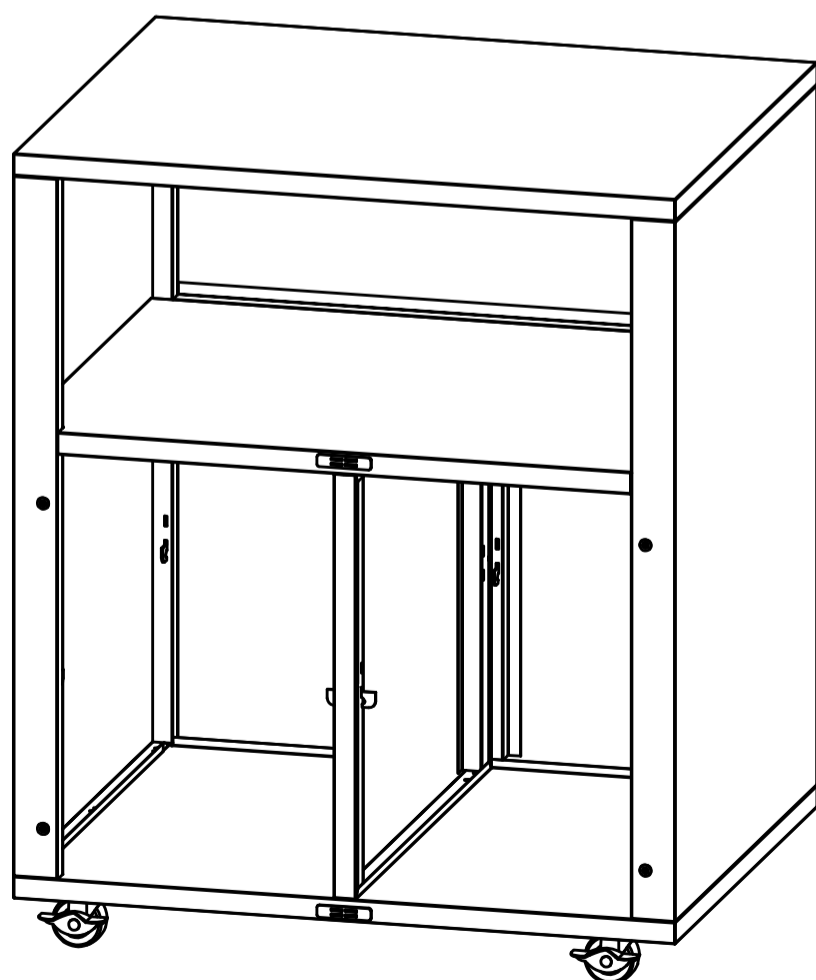


7. Install H and I, secure with screws K

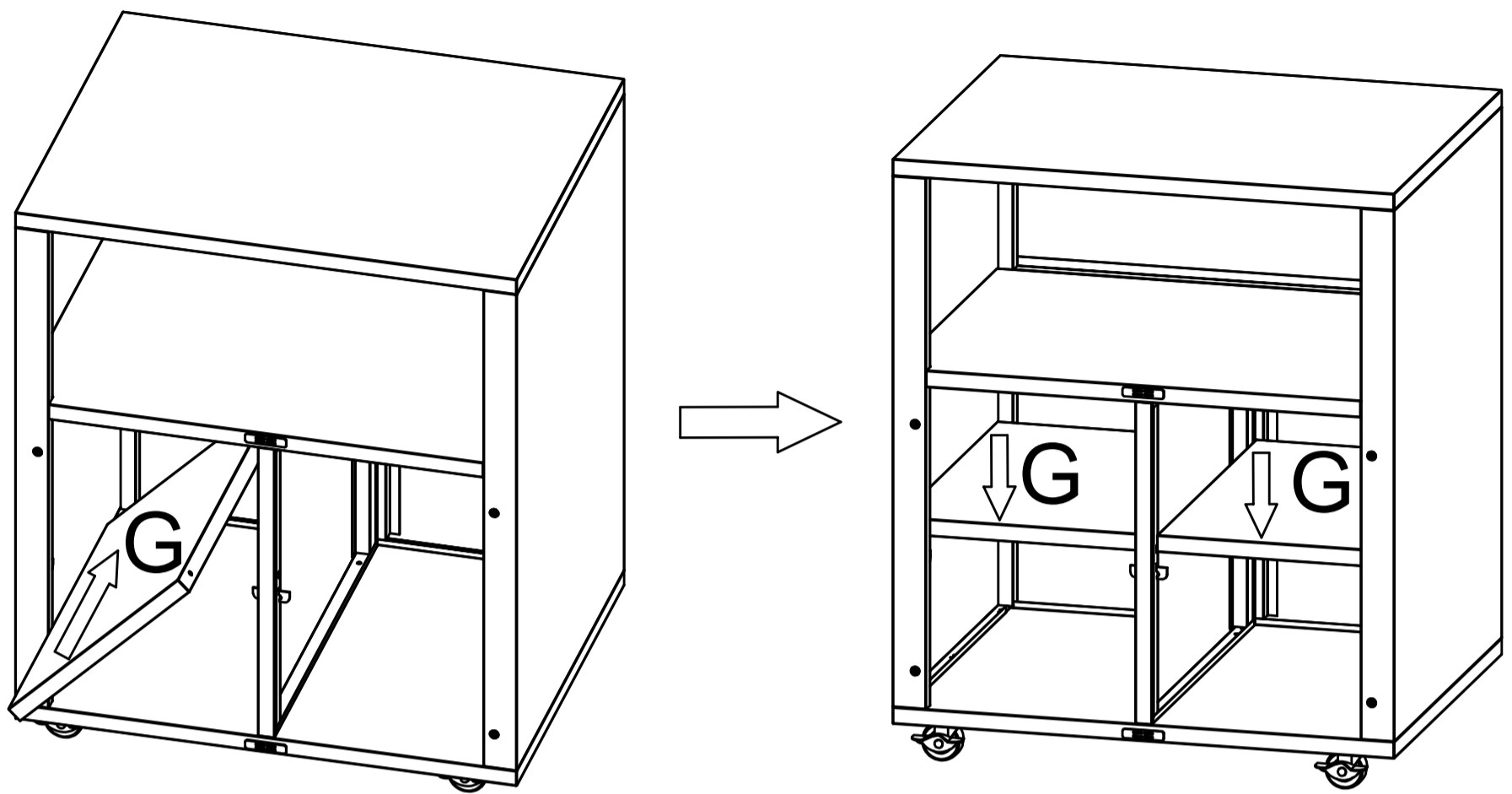
Shelf support



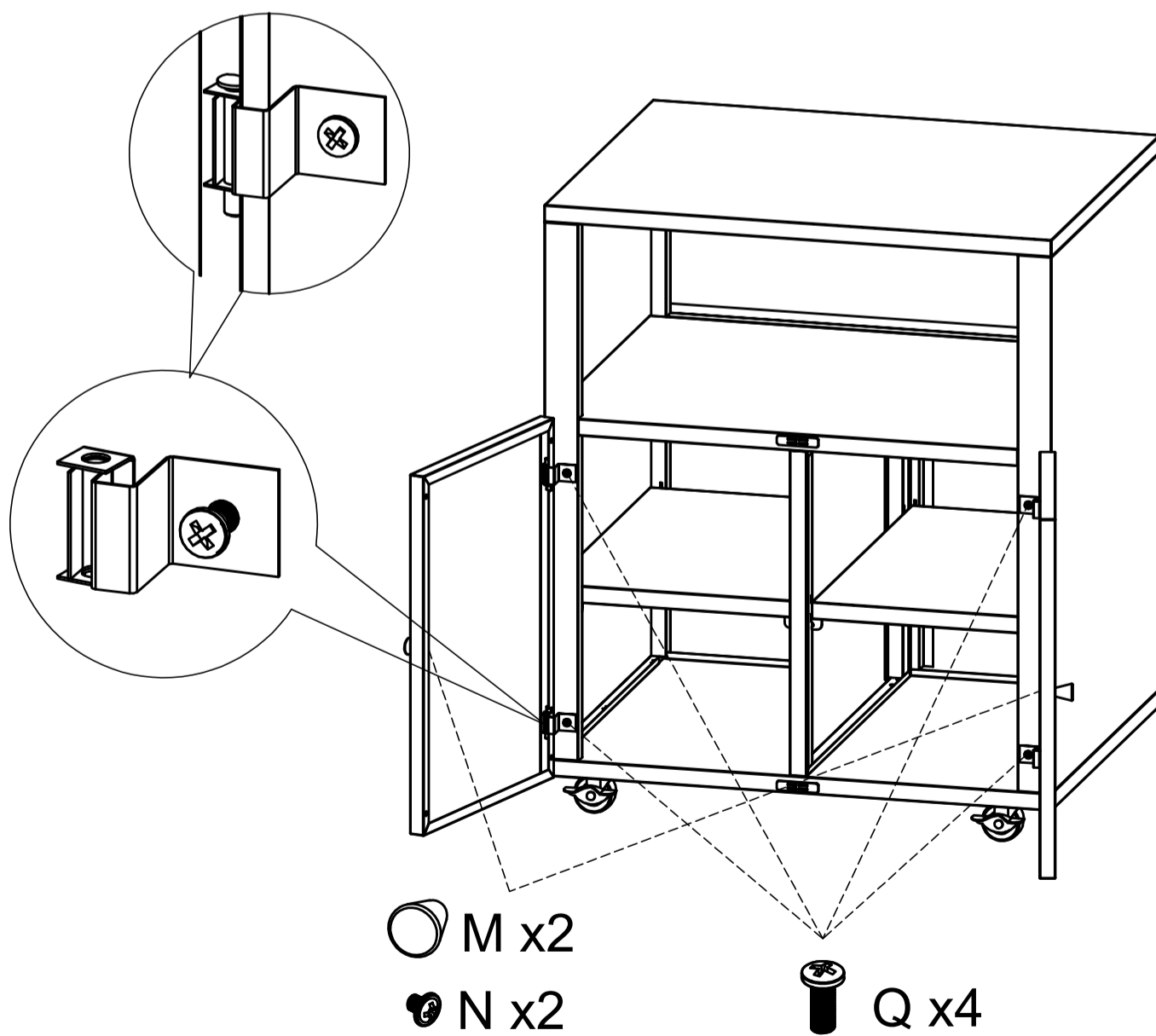
L x8



8. Install L



9. Install G



10. Install M, secure with screws N. Install F, secure with screws Q