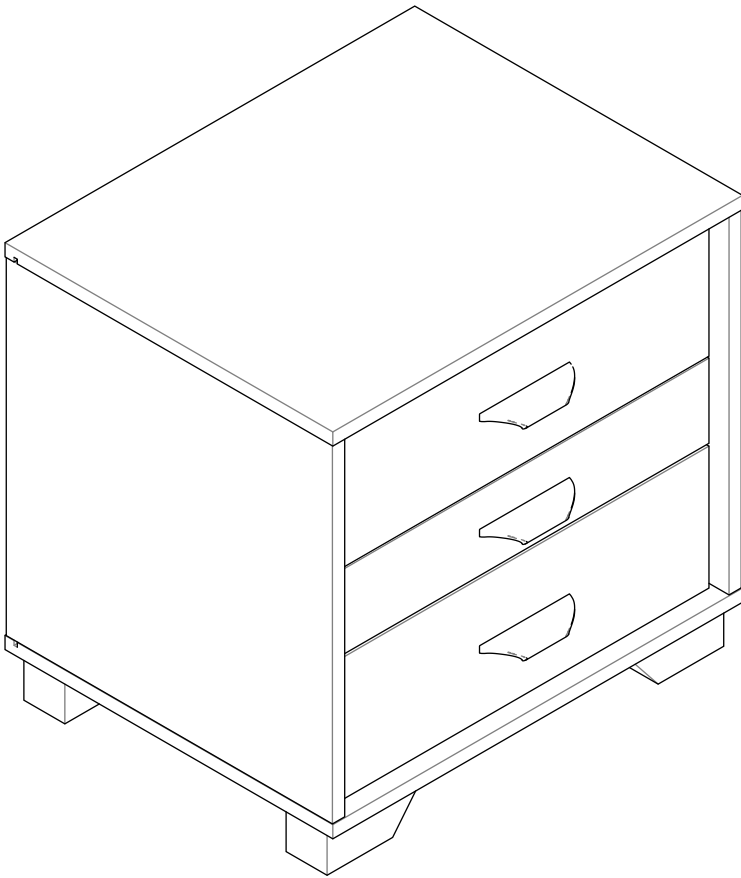
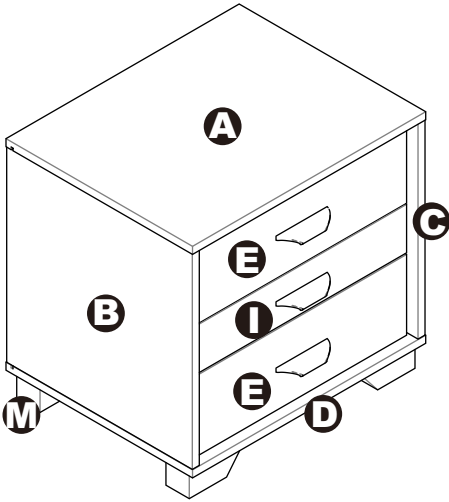


# ASSEMBLY INSTRUCTIONS



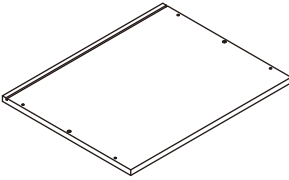
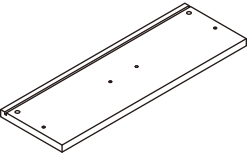
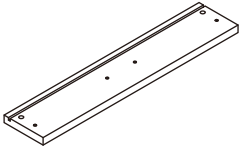
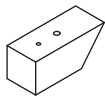
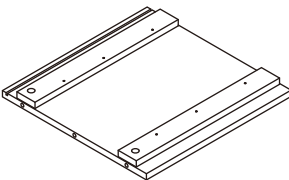
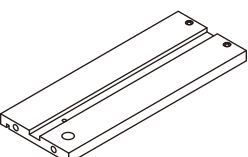
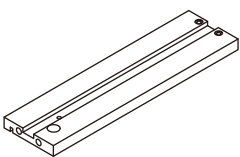
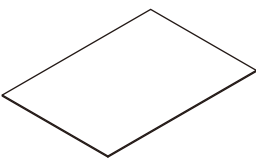
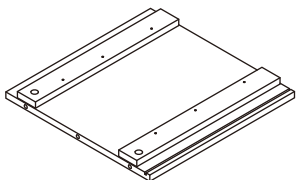
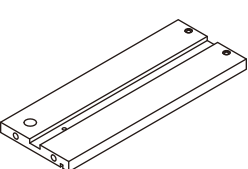
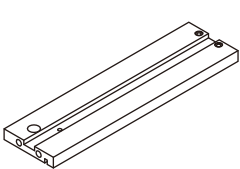
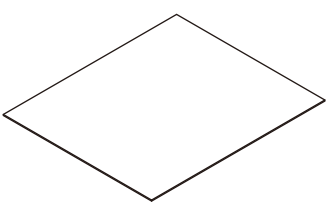
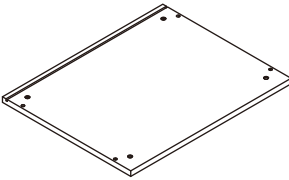
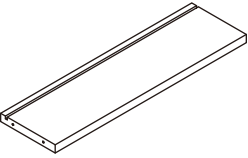
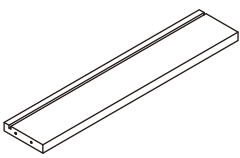
**NIGHT STAND**

# NIGHT STAND





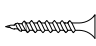

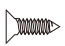
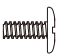


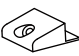




**DIMENSIONS**  
 Width - 19.69"  
 Depth - 15.75"  
 Height - 18.9"

## PARTS LIST

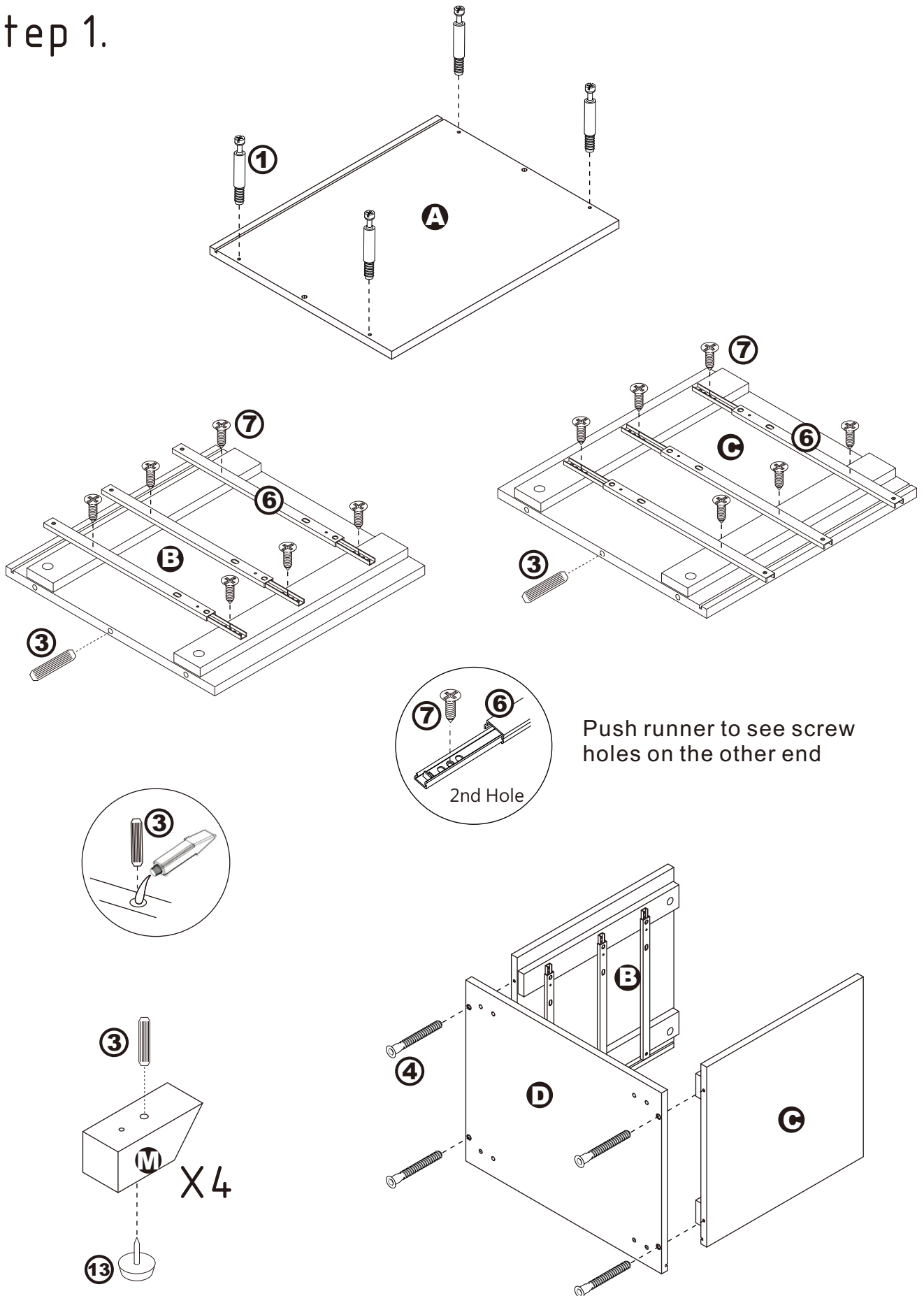
- |  |  |   |  |
|--|--|---|--|
| <b>A</b> X1<br>   | <b>E</b> X2<br>   | <b>I</b> X1<br>   | <b>M</b> X4<br>   |
| <b>B</b> X1<br> | <b>F</b> X2<br> | <b>J</b> X1<br> | <b>N</b> X3<br> |
| <b>C</b> X1<br>  | <b>G</b> X2<br> | <b>K</b> X1<br> | <b>O</b> X1<br> |
| <b>D</b> X1<br> | <b>H</b> X2<br> | <b>L</b> X1<br> |  |

## HARDWARE LIST

- |   |   |   |   |  |   |   |
|---|---|---|---|--|---|---|
| <b>1</b> X10<br> | <b>2</b> X10<br> | <b>3</b> X12<br> | <b>4</b> X8<br>  | <b>5</b> X12<br> | <b>6</b> X6<br>  | <b>7</b> X12<br> |
| <b>8</b> X6<br>  | <b>9</b> X3<br>  | <b>10</b> X6<br> | <b>11</b> X4<br> | <b>12</b> X4<br> | <b>13</b> X4<br> |   |

# ASSEMBLY INSTRUCTIONS

## Step 1.



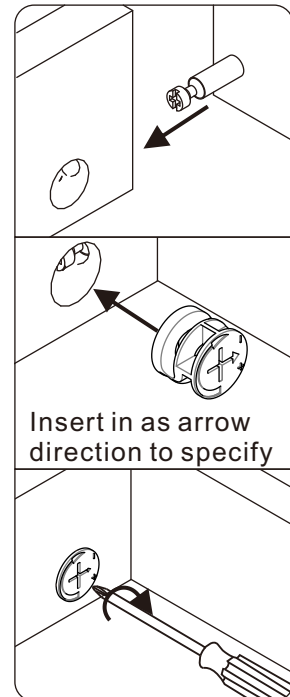
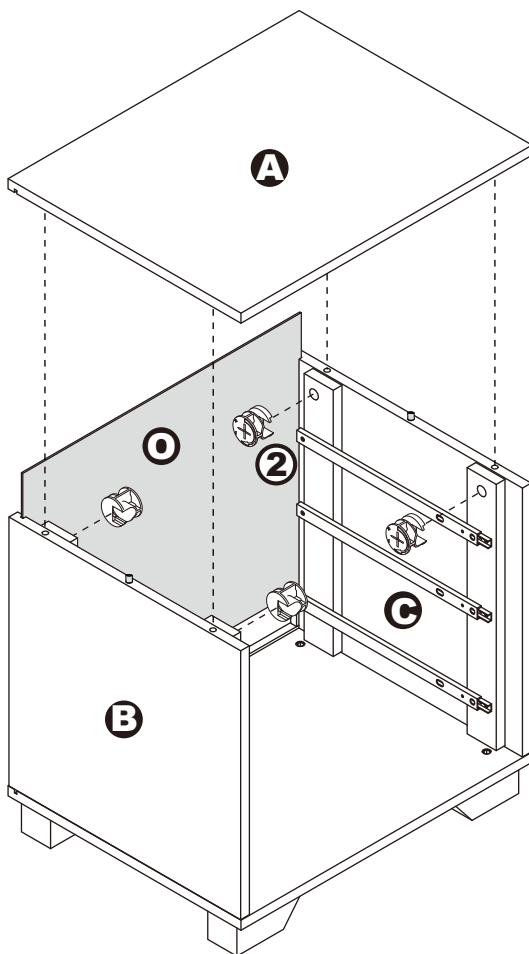
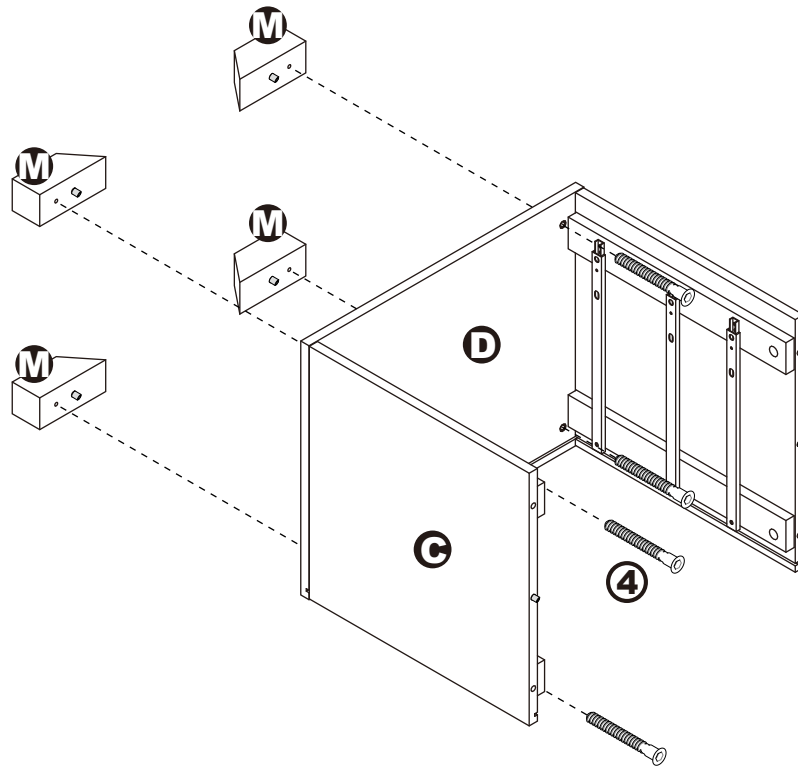
Push runner to see screw holes on the other end

2nd Hole

X4

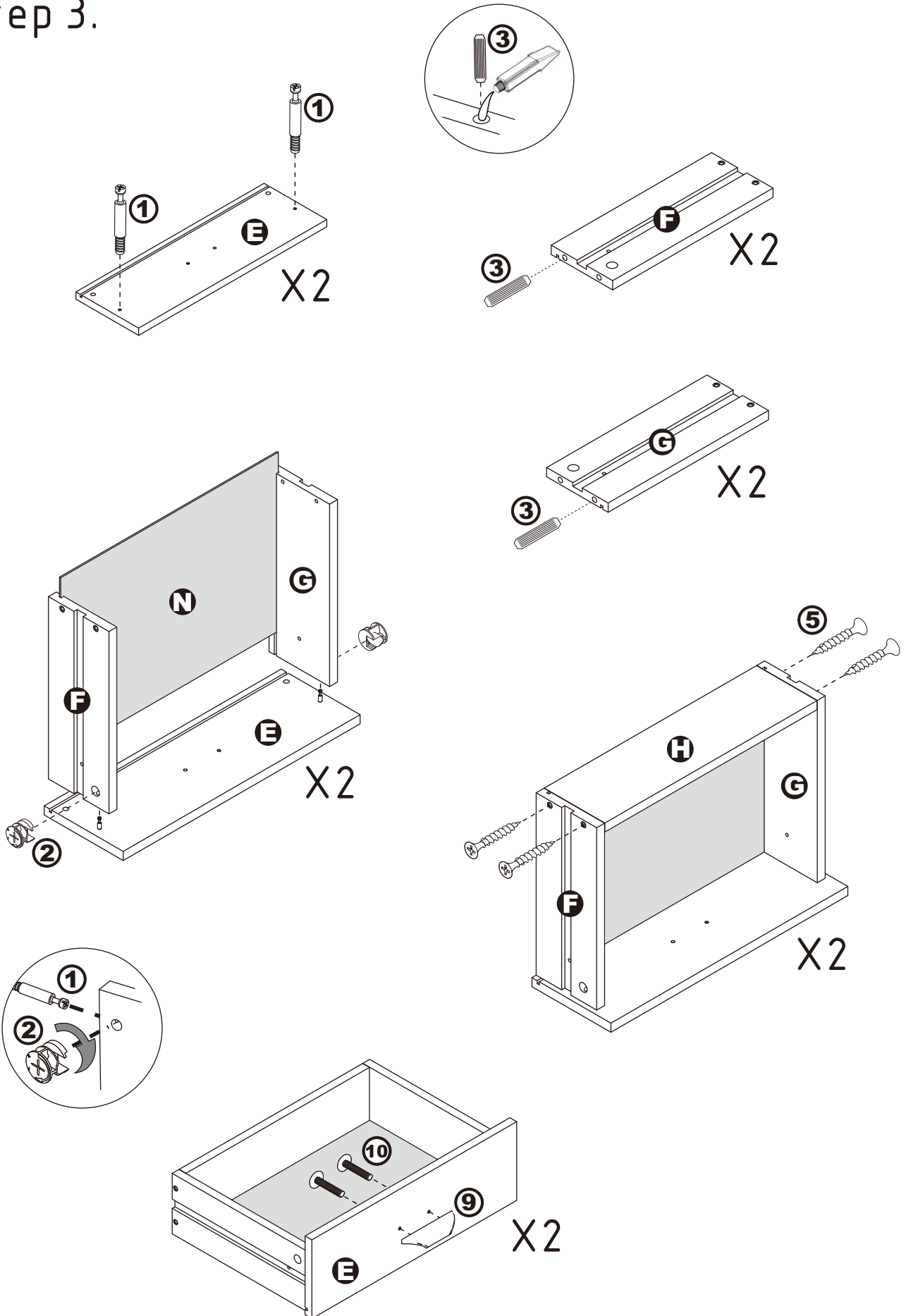
# ASSEMBLY INSTRUCTIONS

## Step 2.



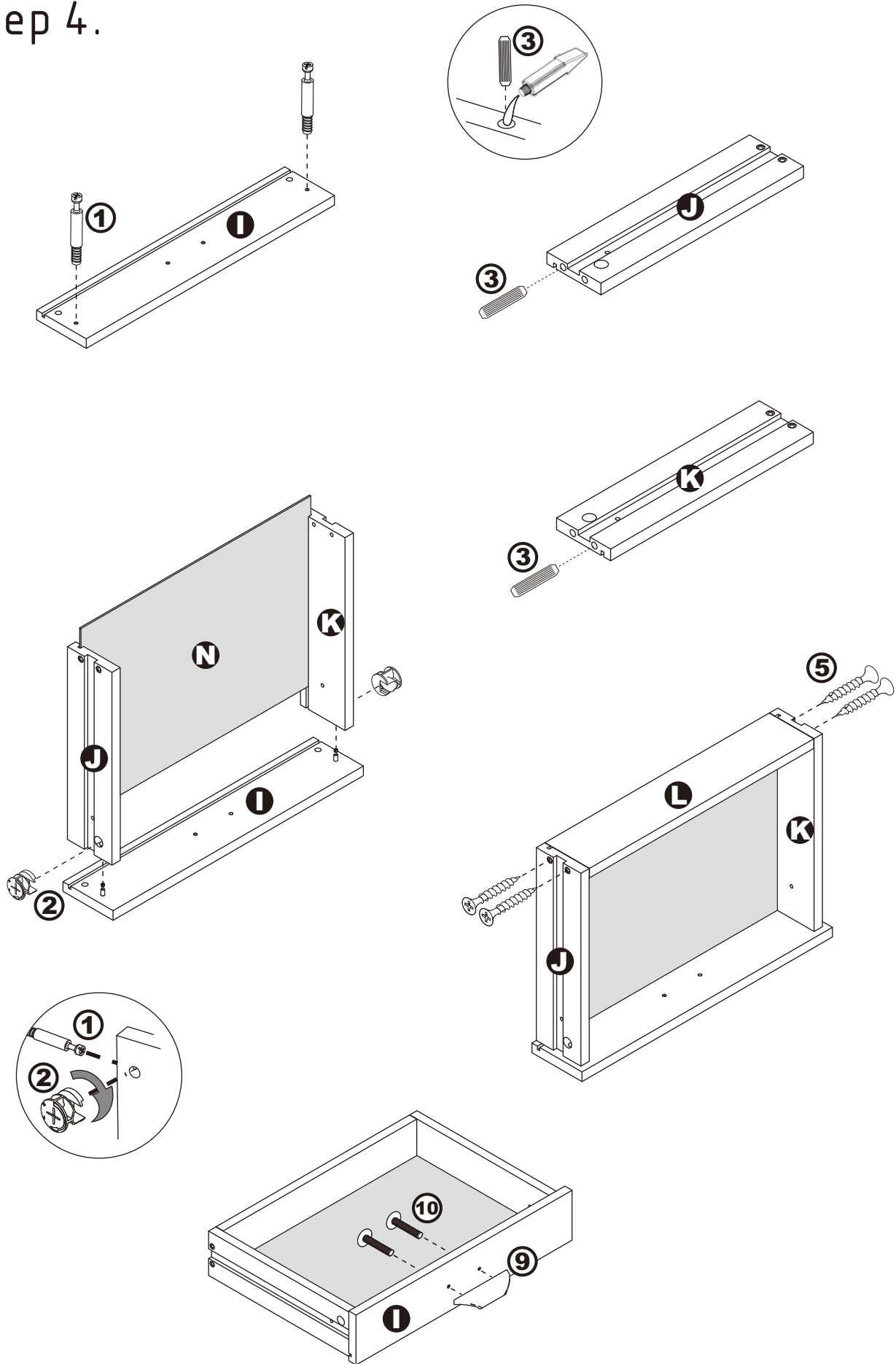
# ASSEMBLY INSTRUCTIONS

## Step 3.



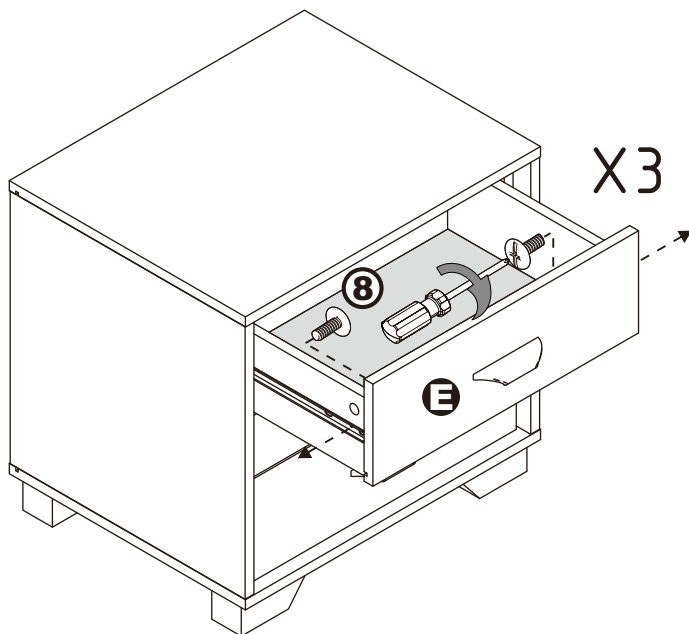
# ASSEMBLY INSTRUCTIONS

## Step 4.

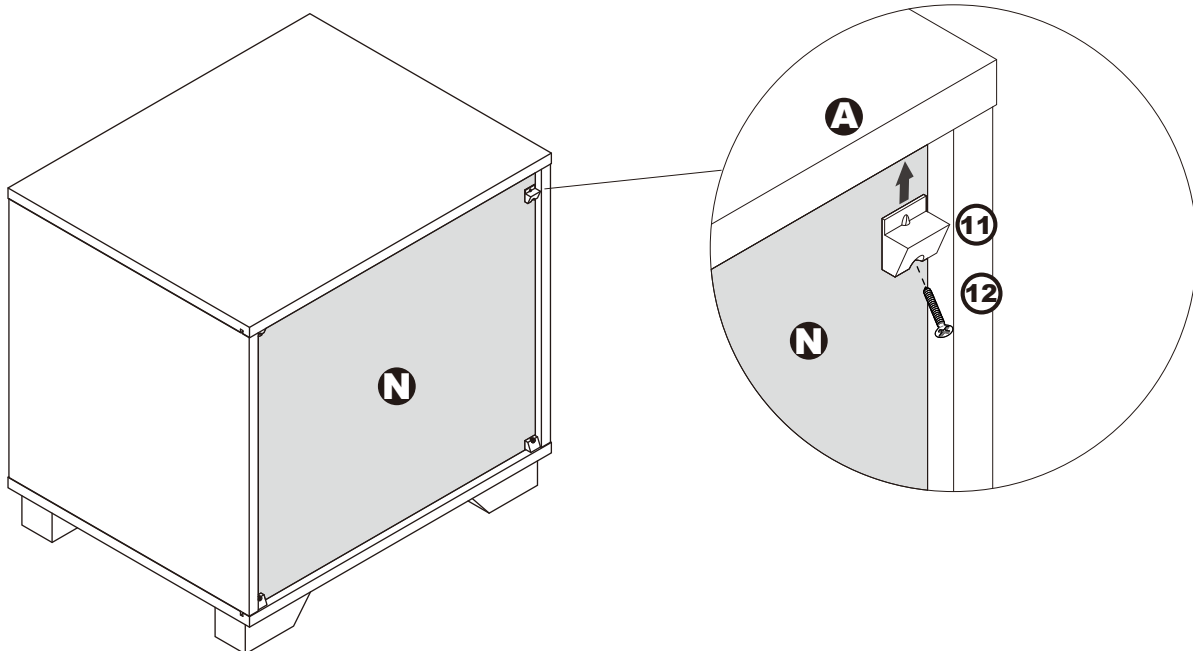


# ASSEMBLY INSTRUCTIONS

## Step 5.



Extend the two outer slides of the runners so that they could align with the sides of the drawer. Make sure the pre-drilled holes from the drawer align with the screw holes of the outer slides. Secure two screws from the inside of the drawer using a Phillips screwdriver to tighten them to the outer slides.



## ASSEMBLY IS COMPLETED

Make sure the product rested on a flat surface and does not feel loose or wobbly. If it does, double check that the bolts/screws are secured and properly tightened.