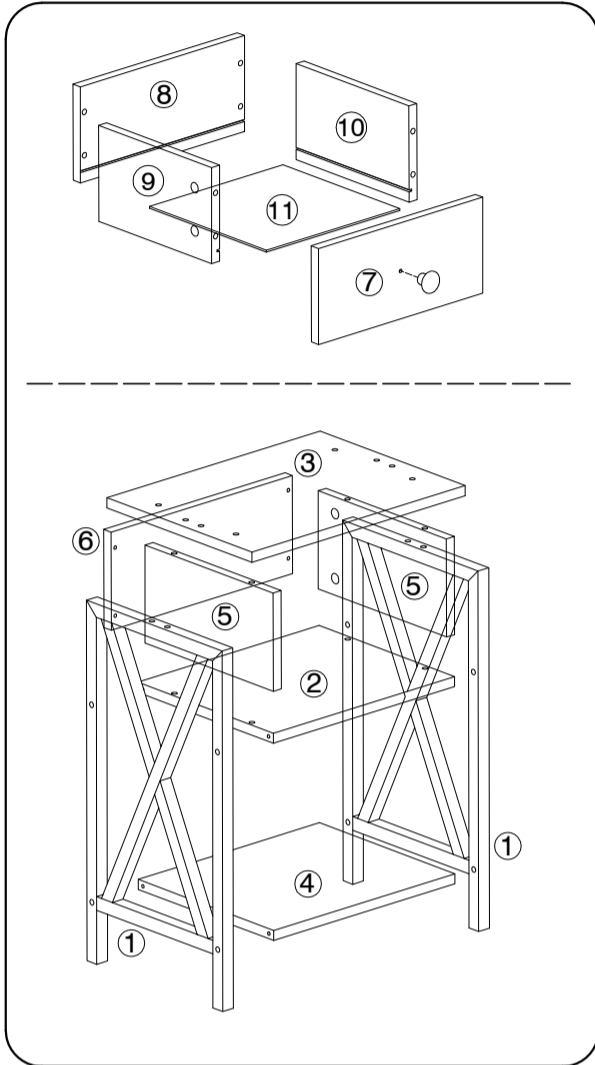


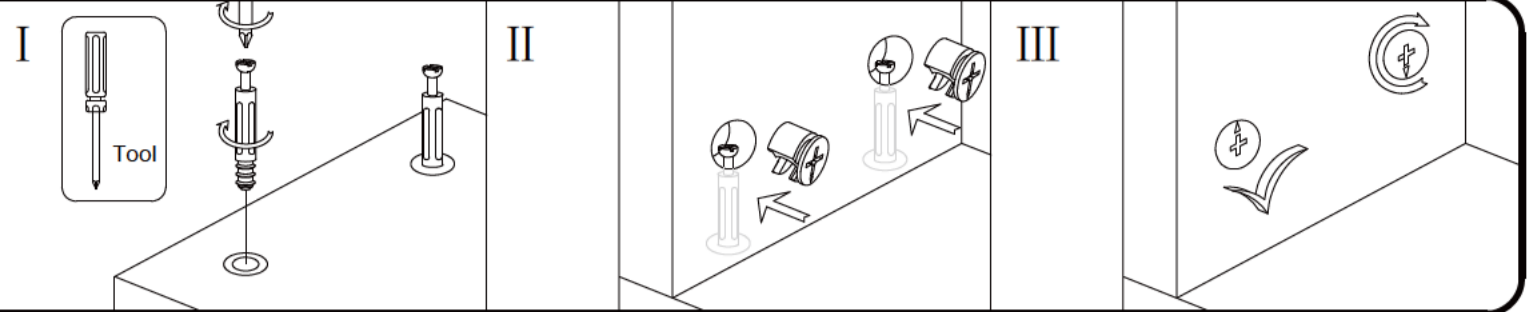
# Assembly Instructions



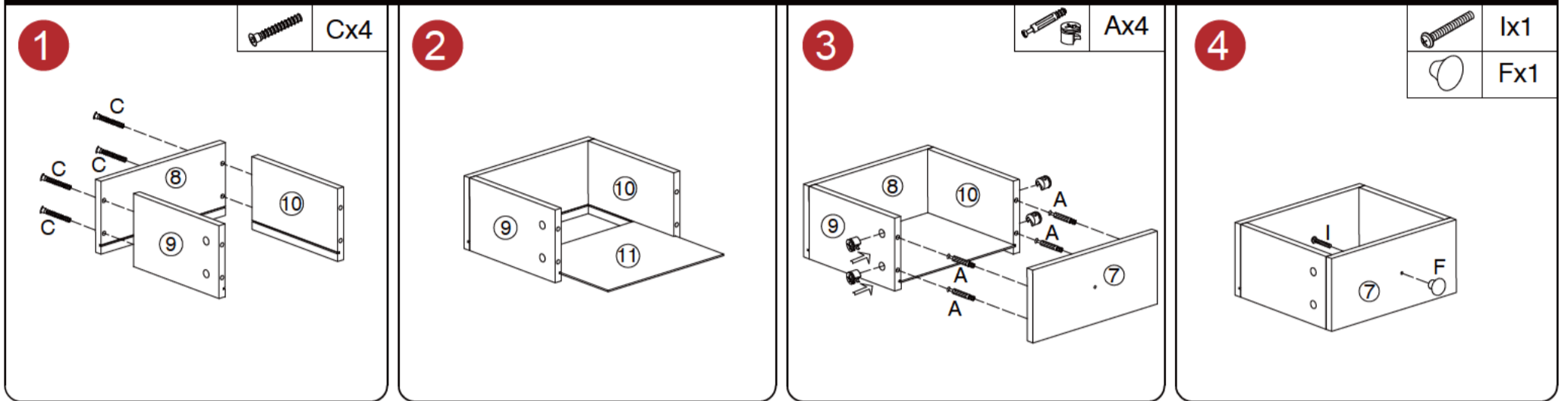
<b>1</b>		<b>2</b>	<b>2</b>		<b>1</b>
<b>3</b>		<b>1</b>	<b>4</b>		<b>1</b>
<b>5</b>		<b>2</b>	<b>6</b>		<b>1</b>
<b>7</b>		<b>1</b>	<b>8</b>		<b>1</b>
<b>9</b>		<b>1</b>	<b>10</b>		<b>1</b>
<b>11</b>		<b>1</b>			

<b>A</b>		<b>8</b>	<b>B</b>		<b>8</b>	<b>C</b>		<b>12</b>	<b>D</b>		<b>4</b>	<b>E</b>		<b>2</b>
<b>F</b>		<b>1</b>	<b>G</b>		<b>4</b>	<b>H</b>		<b>1</b>	<b>I</b>		<b>1</b>	<b>J</b>		<b>1</b>

"A" Hardware installation example

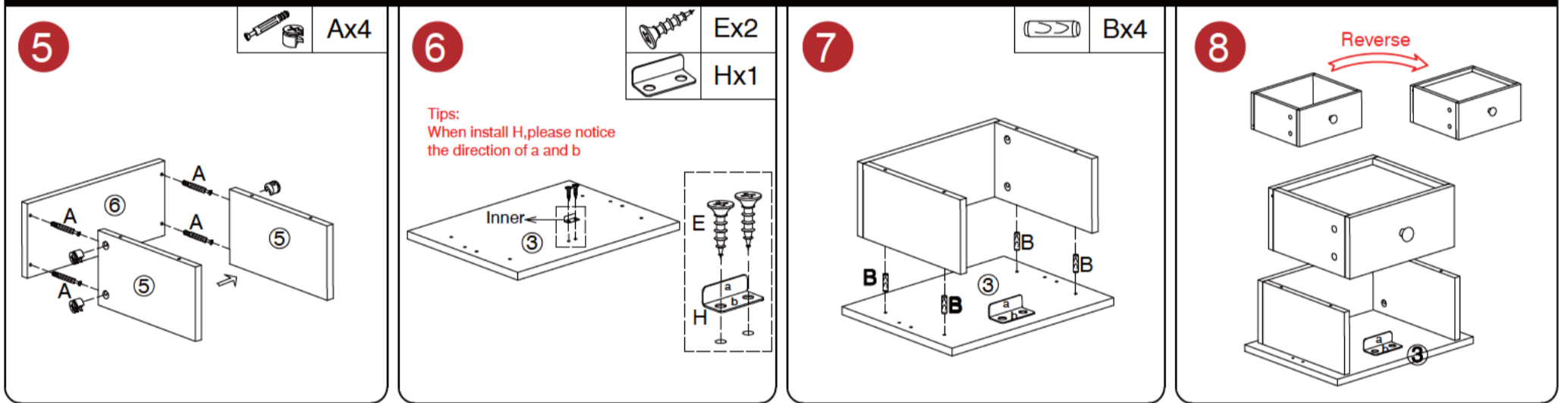


StepA:Drawer Assembly

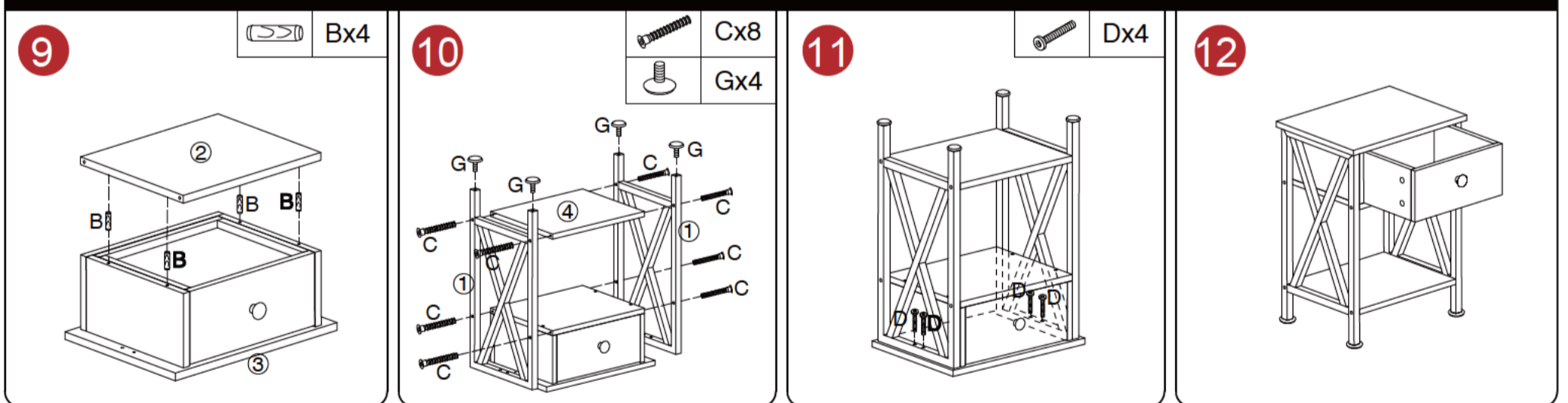


StepB:Drawer Outer Frame Assembly ( 5 6 7 )

StepC:Assemble Drawer Embed in Drawer Outer Frame( 8 )



StepD:Main frame assembly



StepE:Check and tighten all screws

