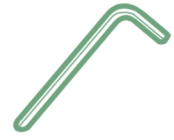
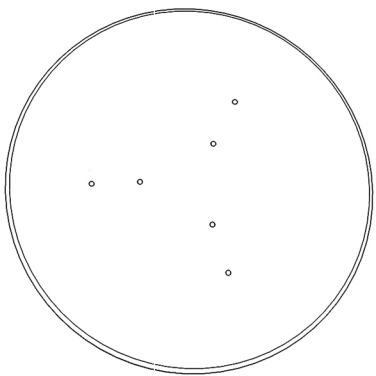


TOOLS:



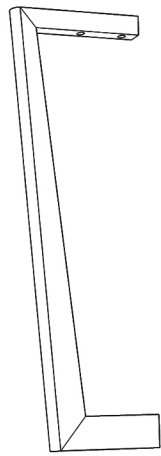
UNIT:MM

1



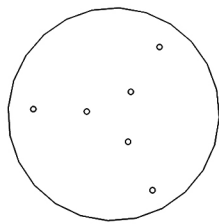
$\phi 450 \times 15$

2 × 3



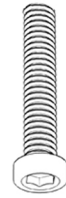
$585 \times 175 \times 20$

3



$\phi 250 \times 15$

A
× 12

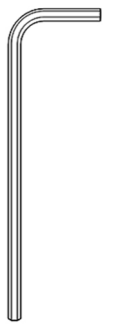


M6 × 30

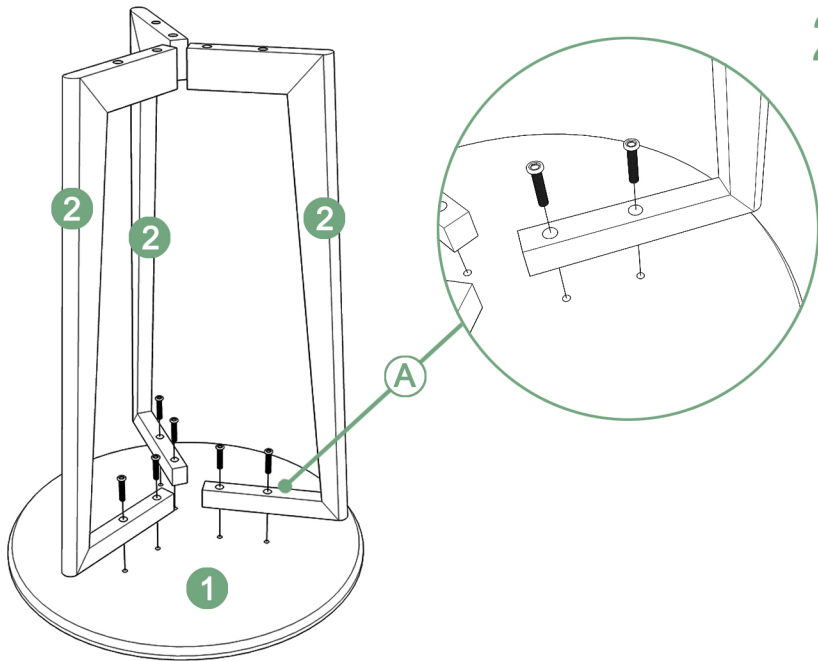
B
× 3



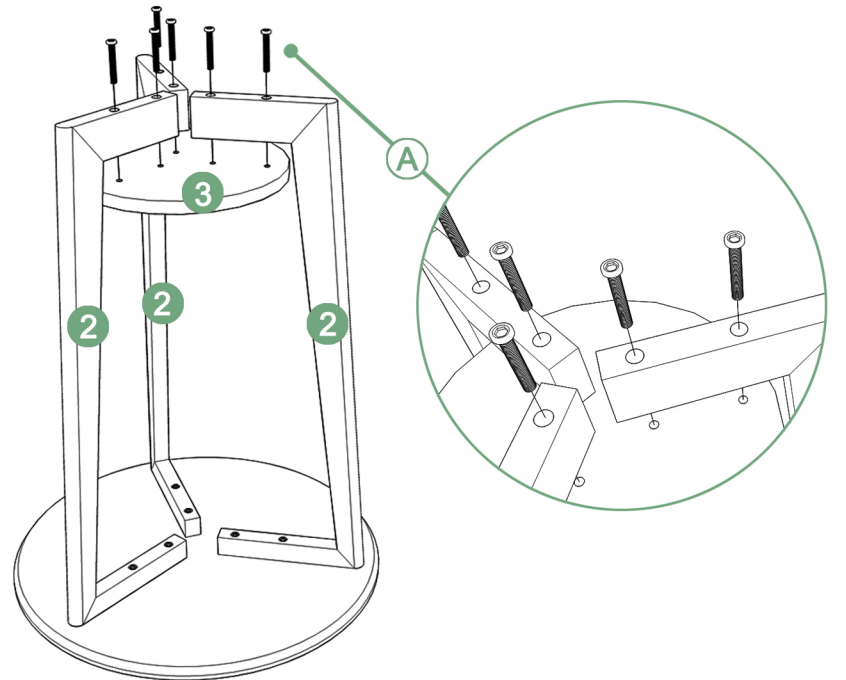
C



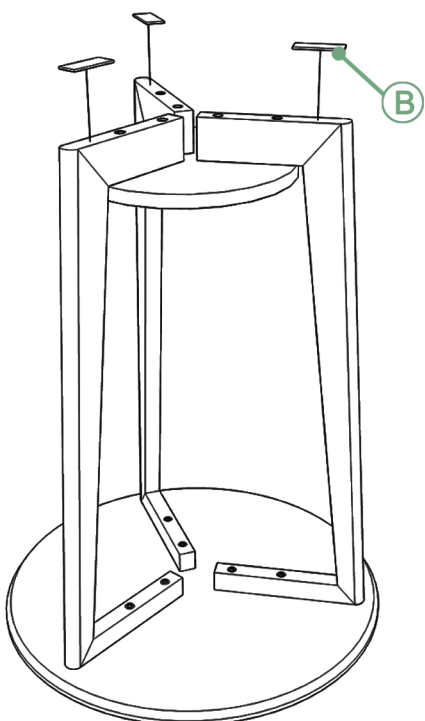
1.



2.



3.



4.

