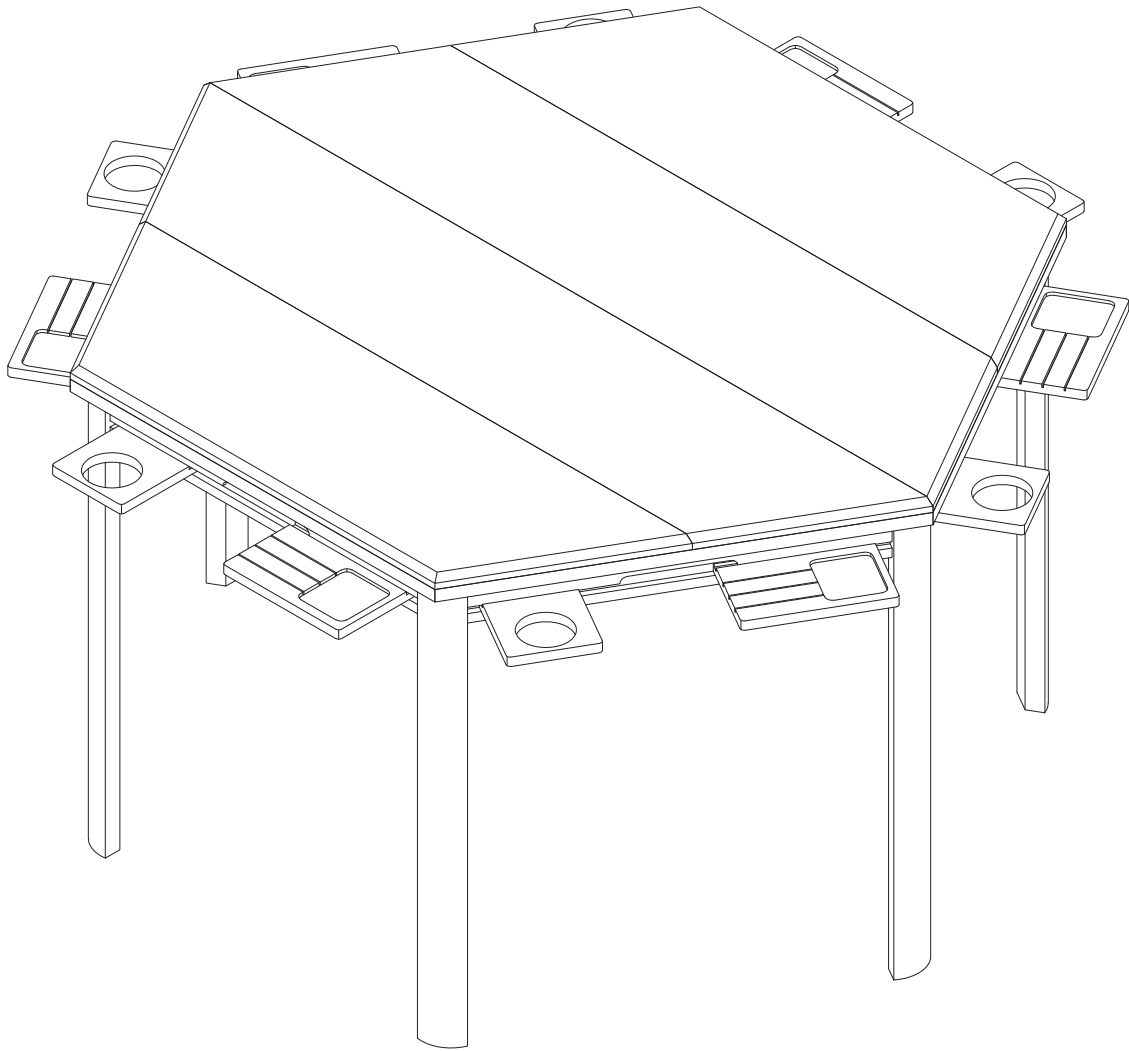


Board Game Table



As this item contains many parts, please read the installation instruction carefully before installation. Please use tools properly and carefully. If you have any questions regarding the product or installation, please contact us. Our professional after-sales team will respond within 24 hours online

Before You Start

People need for assembly:1-2

Read through each step carefully and follow the proper order

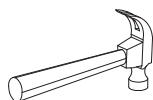
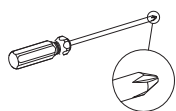
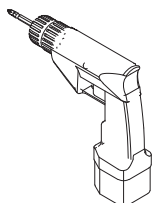
Separate and count all your parts

Give yourself enough room for the assembly process and hardware

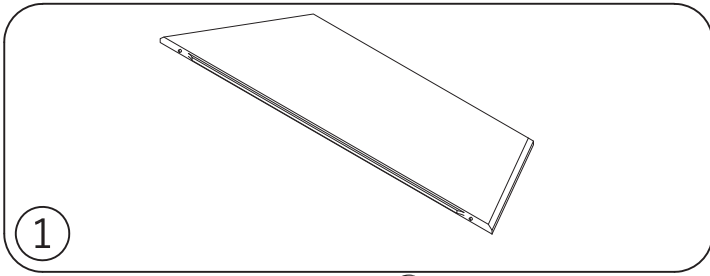
You need the following tools: Power drill, Phillips head screwdriver

Caution: If using a power drill or power screwdriver for screwing. Please be aware of slowing down and stop when screw is tight. Failure to do so may result in stripping the screw.
(Assembly speed can be increased by using electric screwdriver)

Caution: When flipping the table from legs-up to legs-down position during installation, always lift with two people to avoid crushing the legs

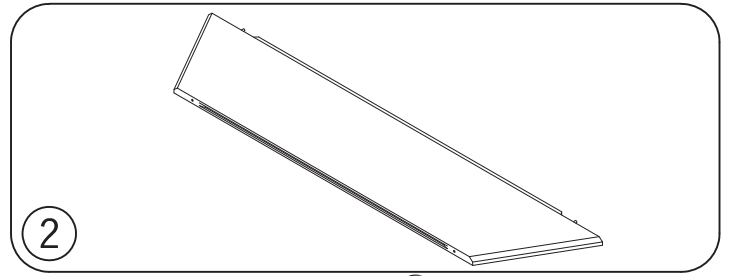


PART LIST



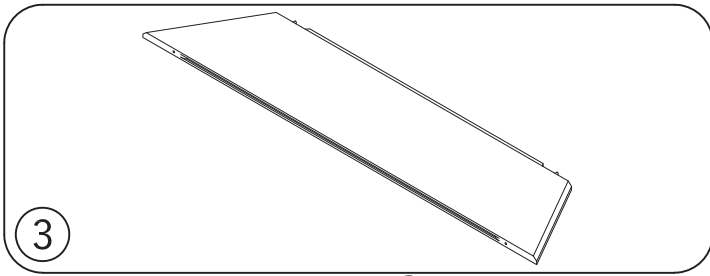
①

Panel ①
1PCS



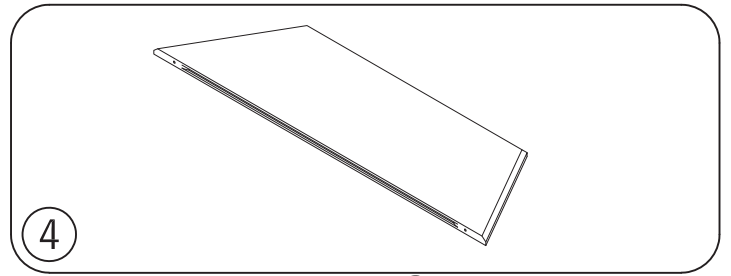
②

Panel ②
1PCS



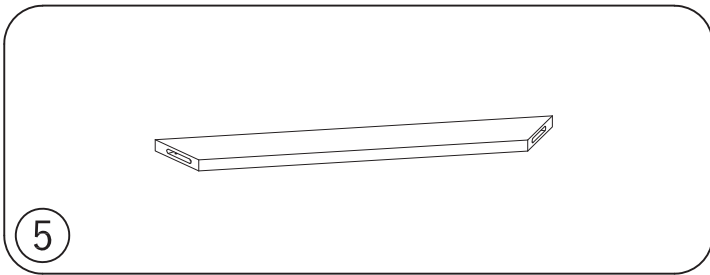
③

Panel ③
1PCS



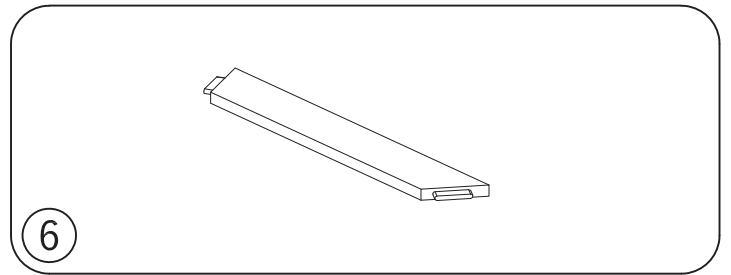
④

Panel ④
1PCS



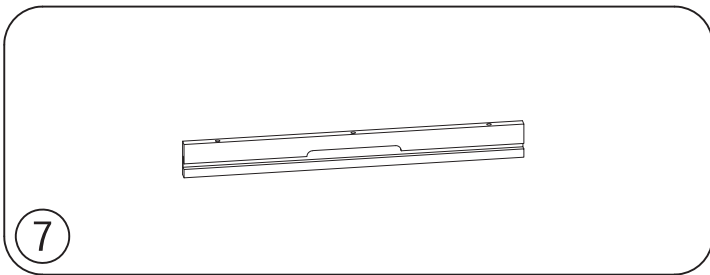
⑤

Face frame ①
3PCS



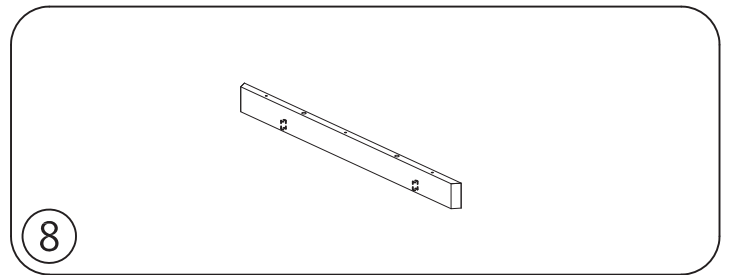
⑥

Face frame ②
3PCS



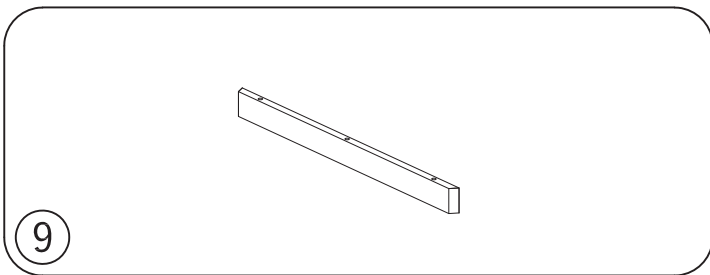
⑦

External long pull strip
6PCS



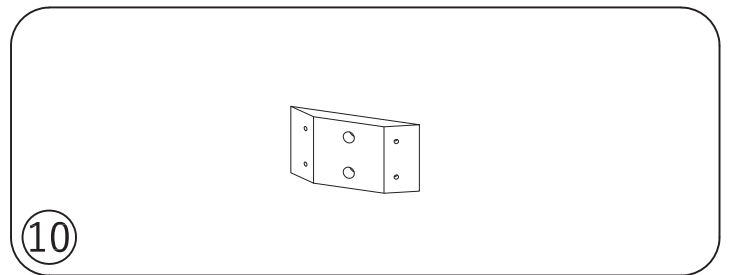
⑧

Internal short pull strip
1PCS



⑨

Internal short pull strip
5PCS



⑩

Triangle board
6PCS

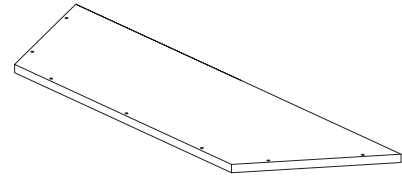
PART LIST

11



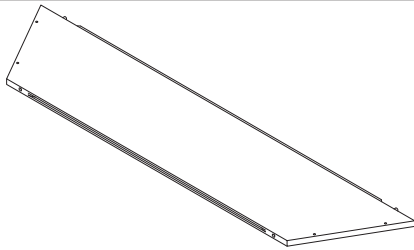
Foot
6PCS

12



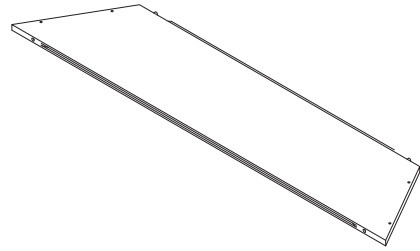
Bottom plate ①
1PCS

13



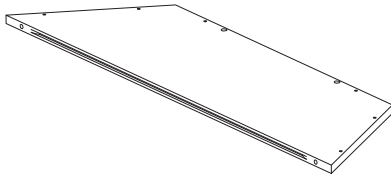
Bottom plate ②
1PCS

14



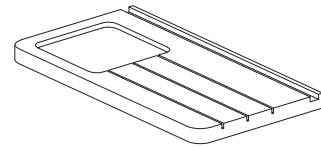
Bottom plate ③
1PCS

15



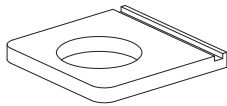
Bottom plate ④
1PCS

16



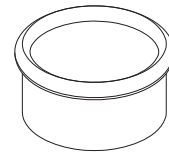
Tray
6PCS

17



Cup holder
6PCS

18



Cup
6PCS

19

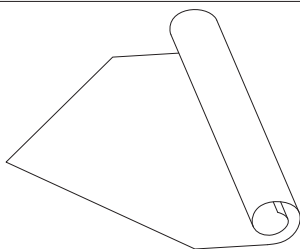
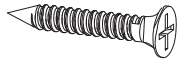


Table mat
1PCS

HARDWARE LIST

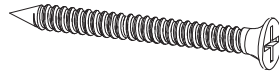


4x25

(A)

46+5 PCS

Self tapping screws



4x40

(B)

36+5 PCS

Self tapping screws

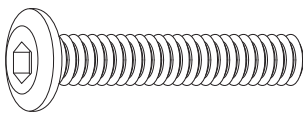


8x30

(C)

38+5 PCS

Wood screws

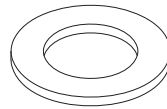


M8x35

(D)

12+1 PCS

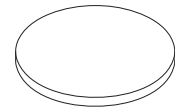
Flat head screws



(E)

12+1 PCS

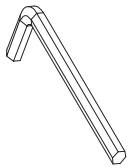
Washer



(F)

6+2 PCS

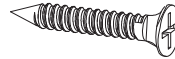
Foot pads



(G)

1 PCS

Allen key



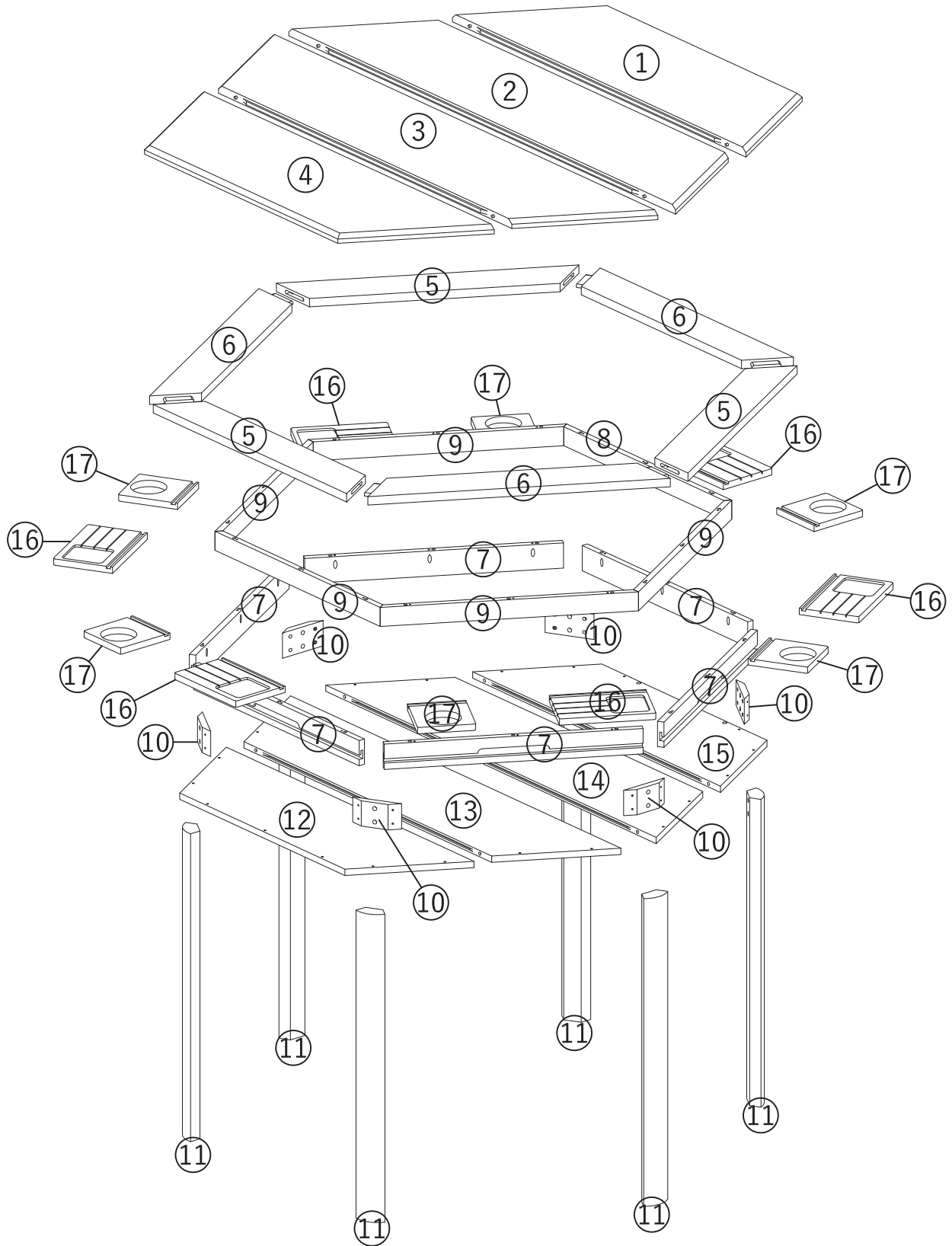
4x20

(H)

12+2 PCS

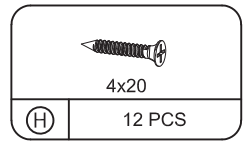
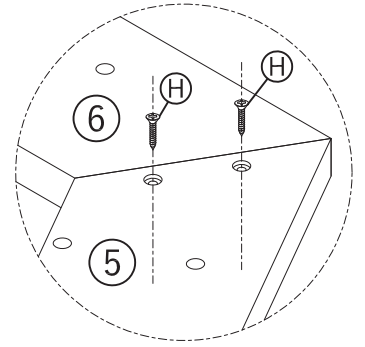
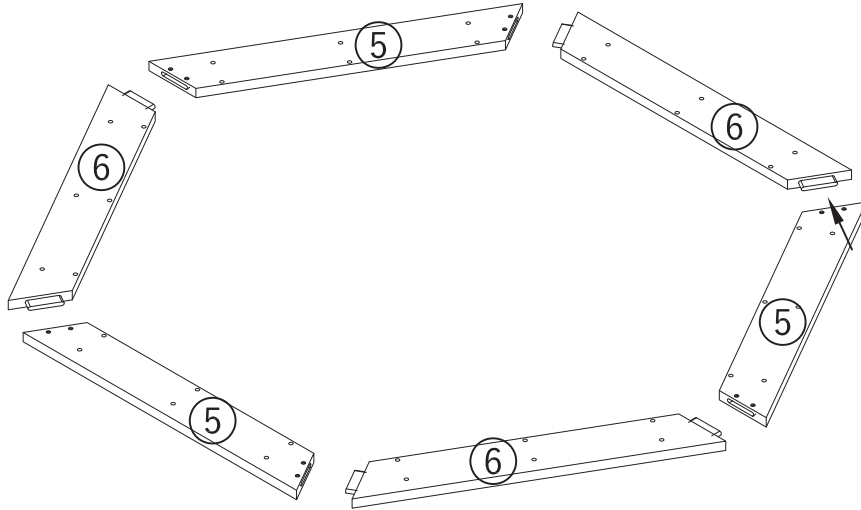
Self tapping screws

EXPLODED VIEW

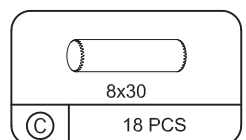
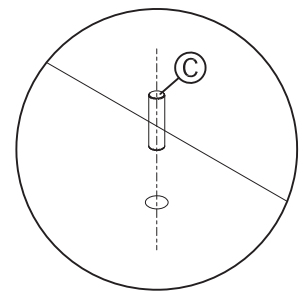
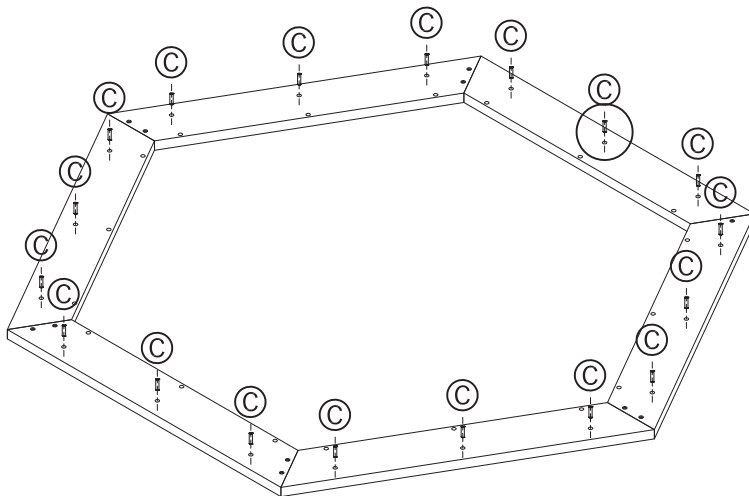


INSTALLATION STEPS

STEP 1

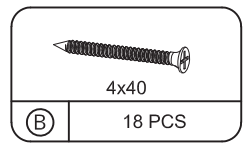
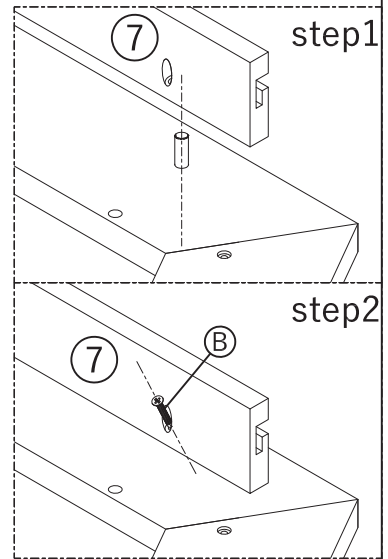
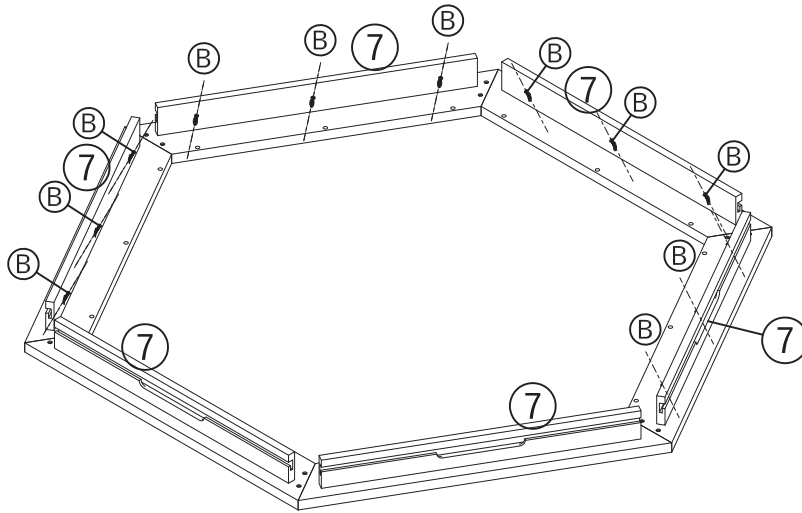


STEP 2

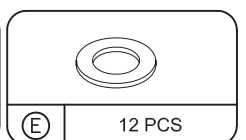
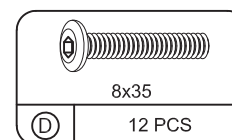
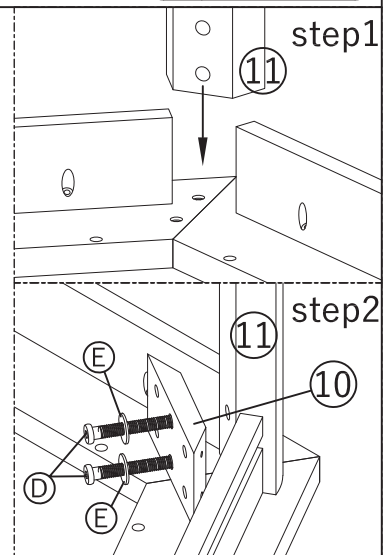
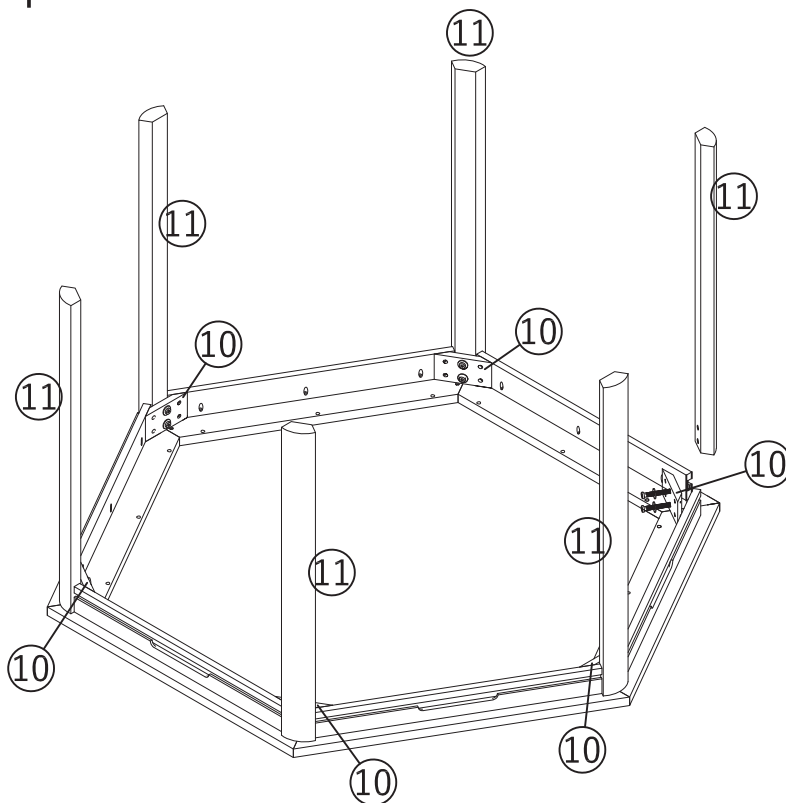


INSTALLATION STEPS

STEP3

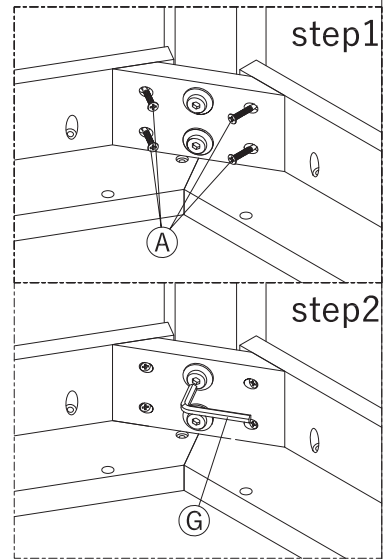
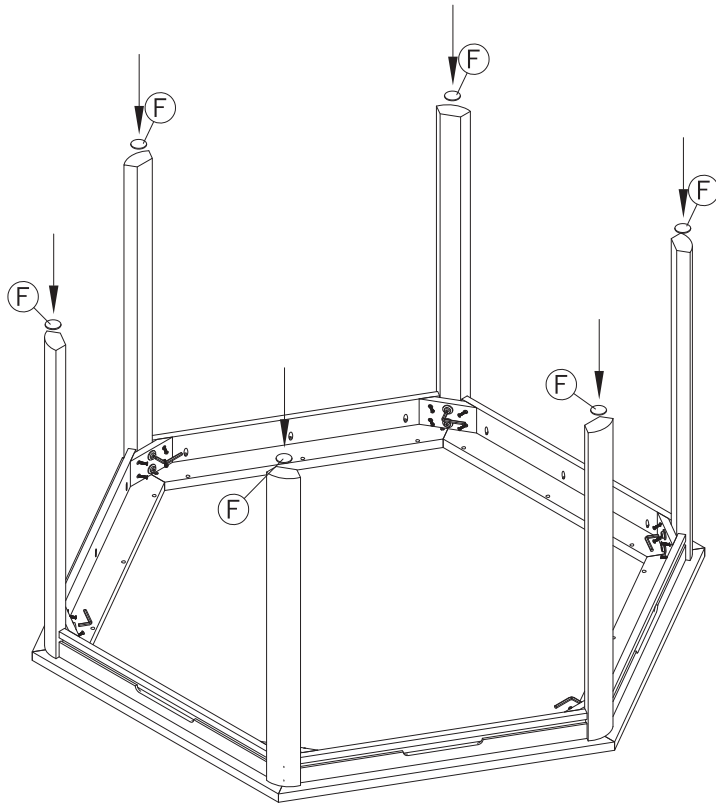


STEP4

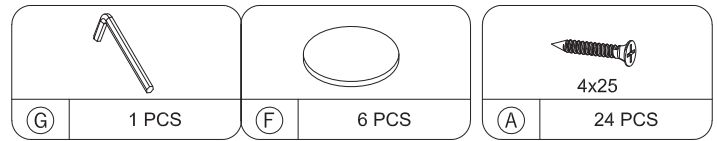


INSTALLATION STEPS

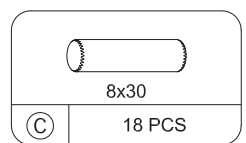
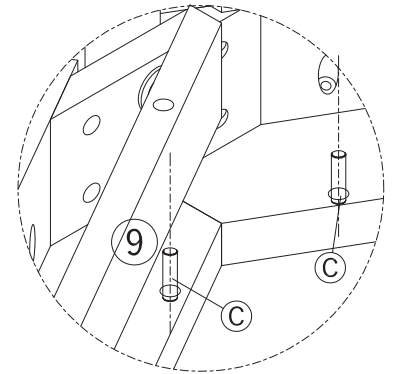
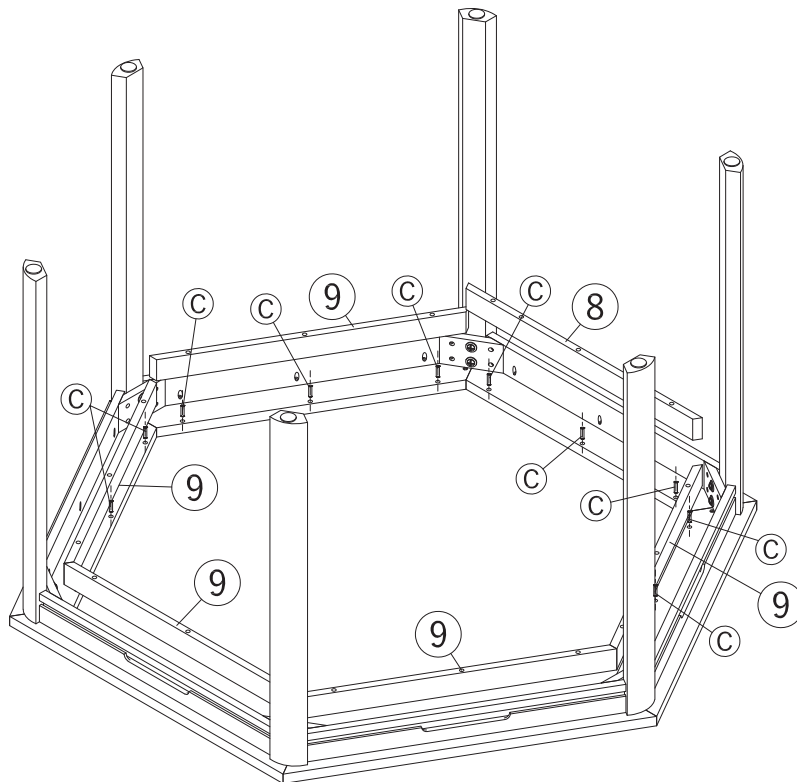
STEP5



Warning: Do not use an electric screwdriver for this step

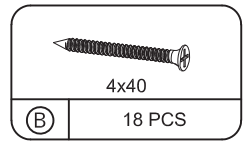
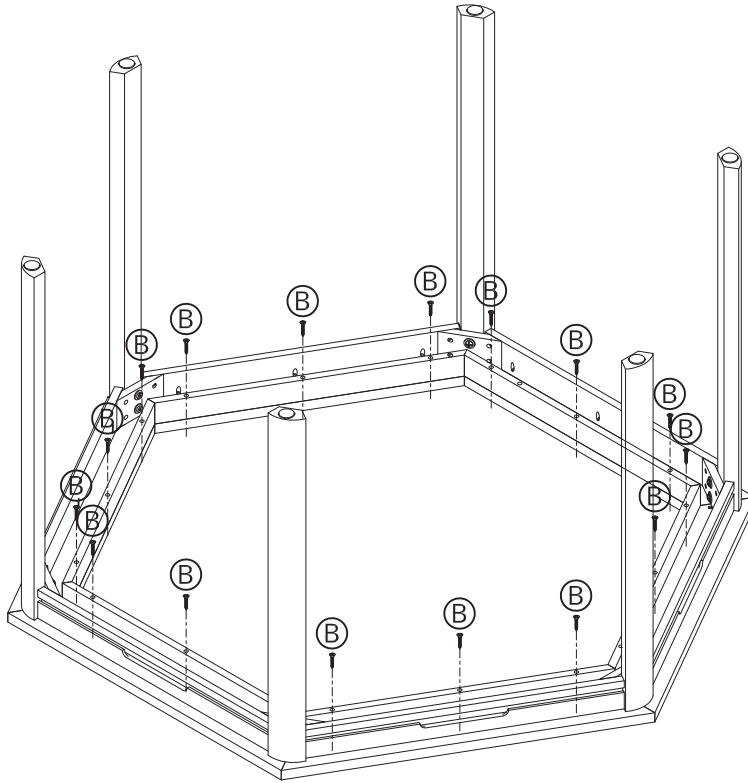


STEP6

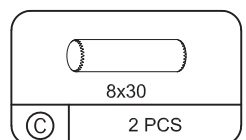
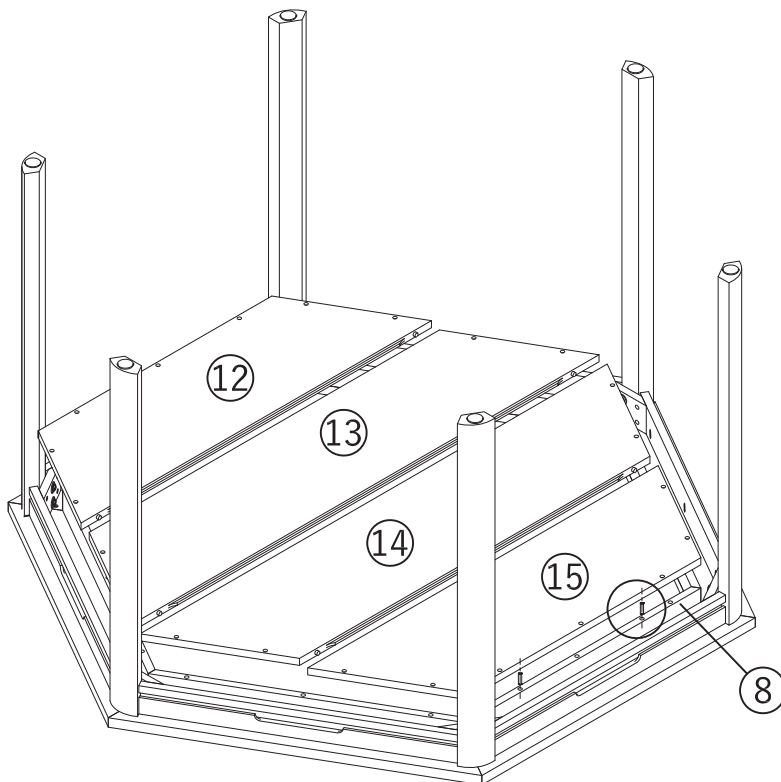


INSTALLATION STEPS

STEP 7

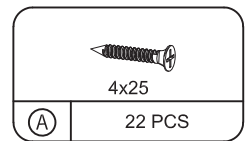
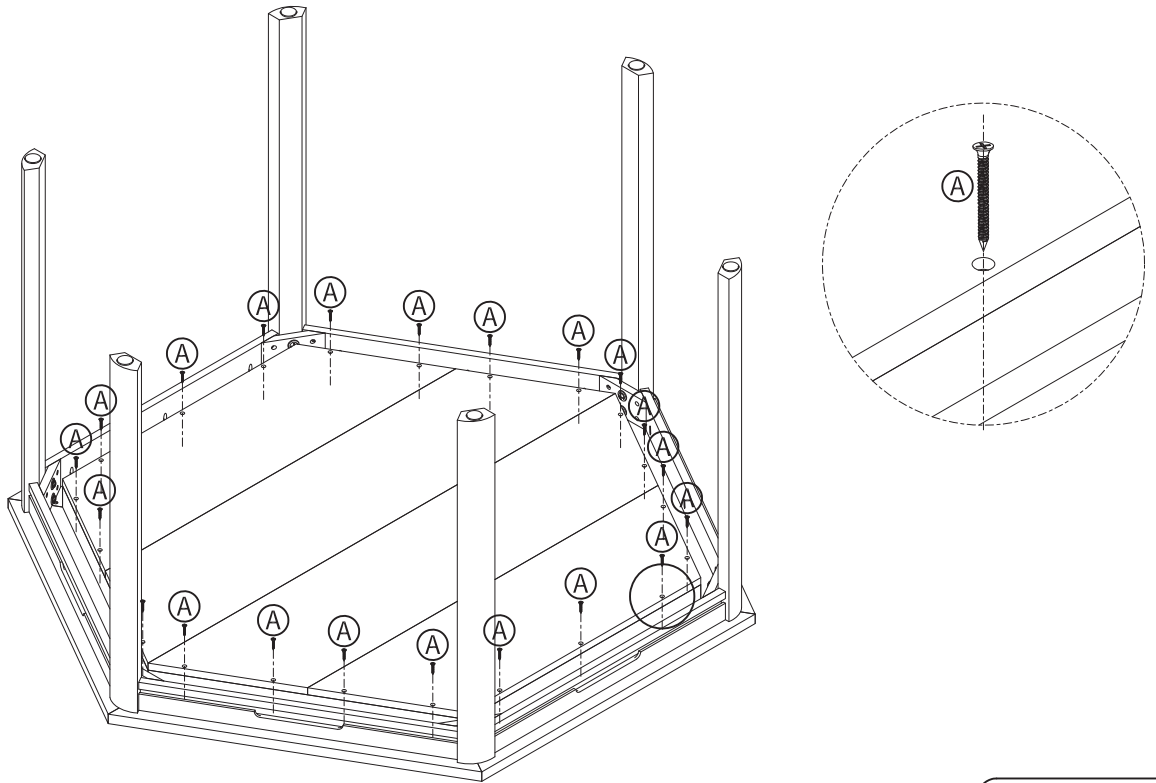


STEP 8

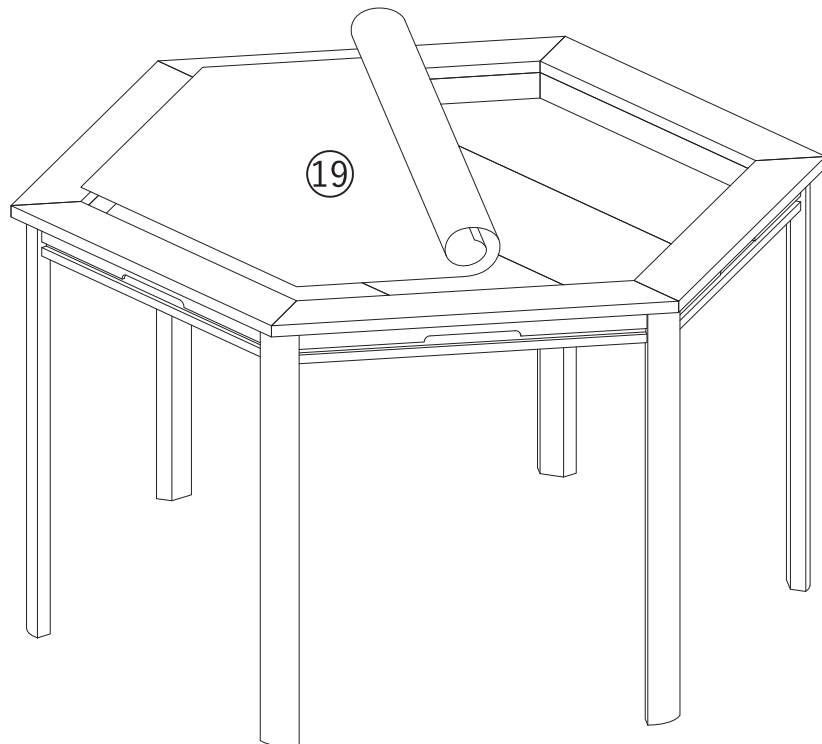


INSTALLATION STEPS

STEP9

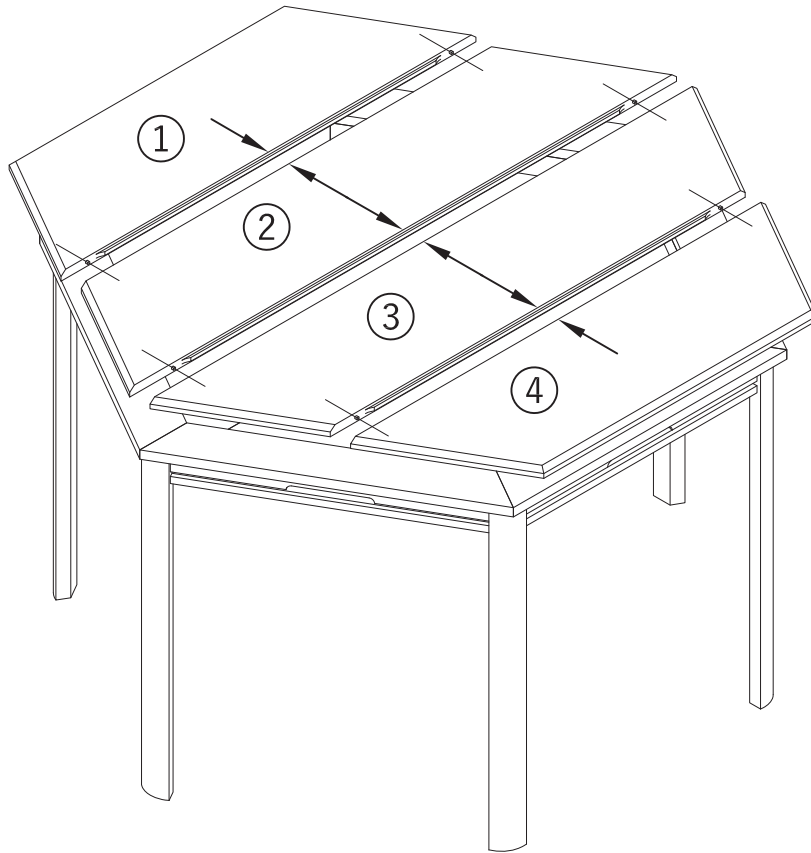


STEP10



INSTALLATION STEPS

STEP11



STEP12

