
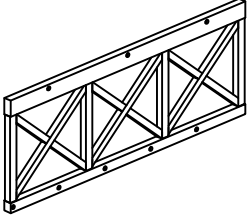
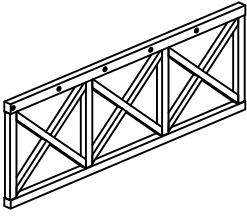
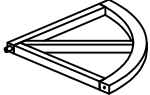

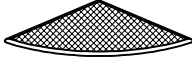

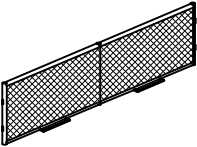


ASSEMBLY INSTRUCTIONS



5 TIER CORNER STORAGE CABINET WITH 5 BASKET

ASSEMBLE ON A FLAT, PROTECTED SURFACE.

PARTS LIST

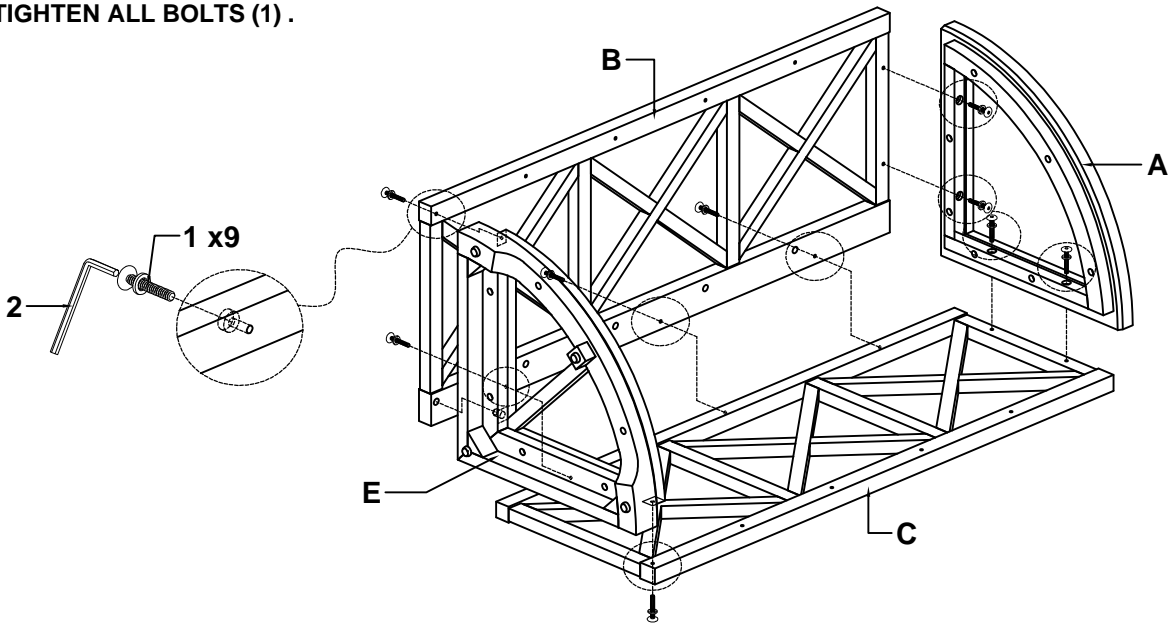
No.	FIGURE	QTY	DESCRIPTION
A		1	TABLE TOP
B		1	RIGHT SIDE FRAME
C		1	LEFT SIDE FRAME
D		4	SHELF FRAME
E		1	BOTTOM BASE
F		5	BASKET BOTTOM
G		5	BASKET FRONT
H		5	BASKET LEFT AND RIGHT

HARDWARE LIST

No.	FIGURE	QTY	DESCRIPTION
1		17	Bolt ($\frac{1}{4}$ "x35 mm) Flat Washer ($\frac{1}{4}$ "x13mm dia)
2		1	Allen Key (60x22x4 mm)

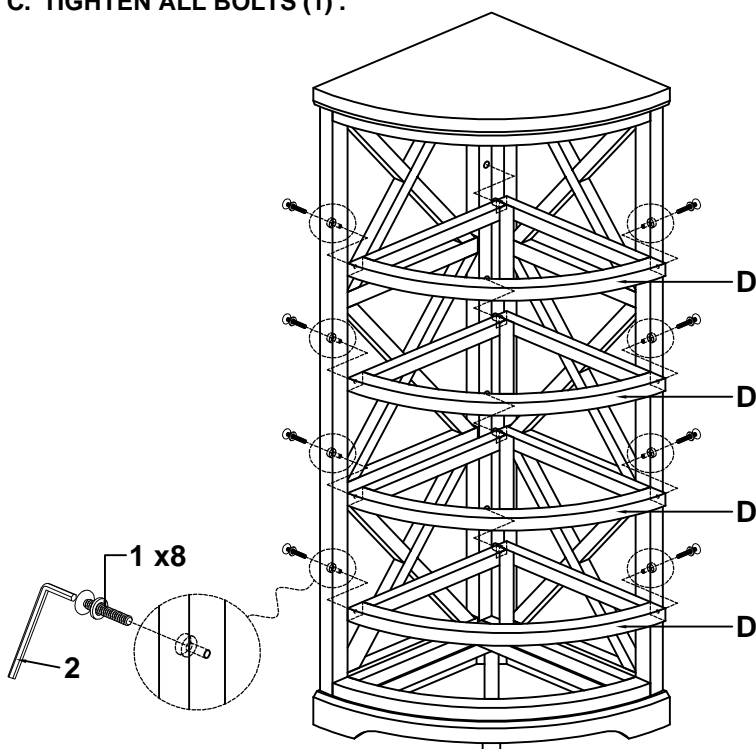
STEP 1

- A. CONNECT TABLE TOP (A) TO RIGHT SIDE FRAME (B) AND LEFT SIDE FRAME (C) BY BOLTS (1). AND CONNECT BOTTOM BASE (E) TO RIGHT SIDE FRAME (B) AND LEFT SIDE FRAME (C) BY BOLTS (1).
- B. USING ALLEN KEY (2).
- C. TIGHTEN ALL BOLTS (1).



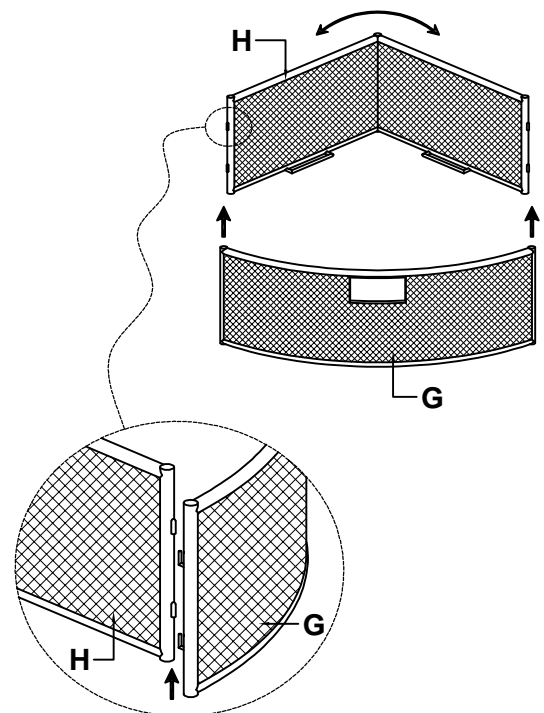
STEP 2

- A. INSERT SHELF FRAME (D) TO FRAME OF STEP 1 AS PICTURE BY BOLTS (1). INSTALLATIONS ARE COMPLETED.
- B. USING ALLEN KEY (2)
- C. TIGHTEN ALL BOLTS (1).



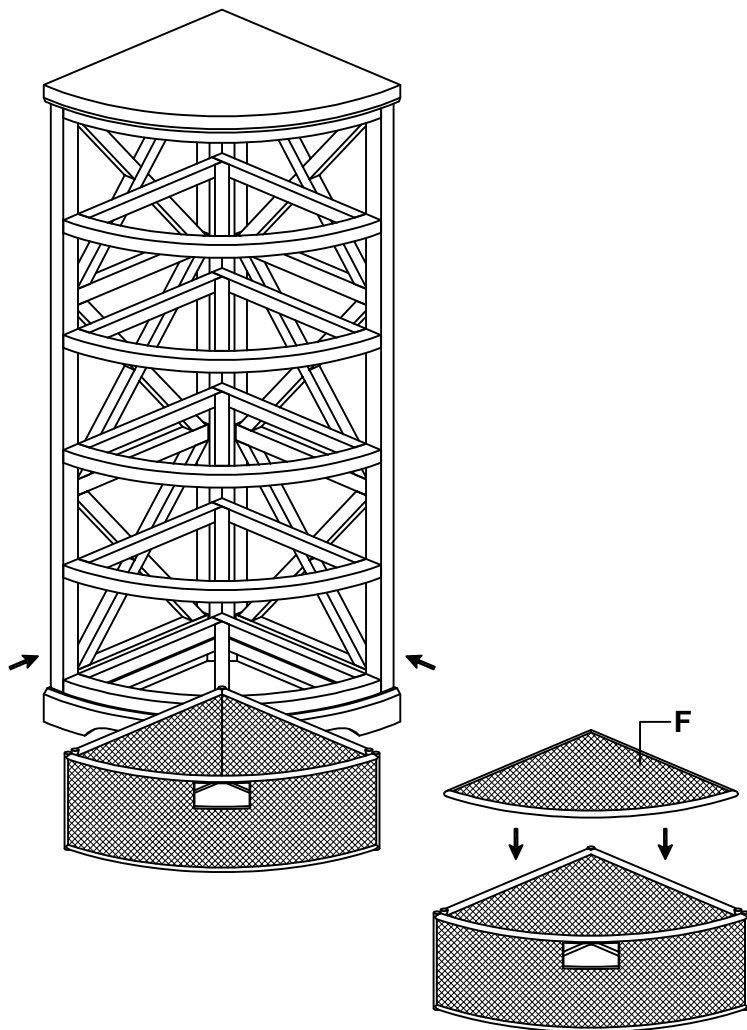
STEP 3

- A. HOOK BASKET FRONT (G) INTO BASKET LEFT & RIGHT (H) AS SHOWN



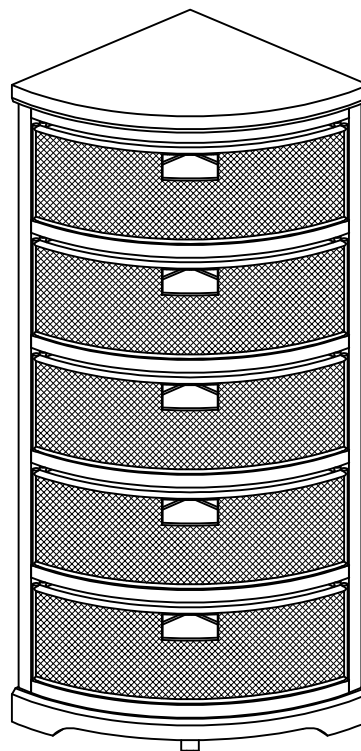
STEP 4

- A. INSERT BASKET BOTTOM (F) INTO THE ASSEMBLED BASKET FROM STEP 3.
- B. REPEAT FOR REMAINING BASKET BOTTOMS (F).
- C. PLACE THE BASKETS INTO TOWER AS SHOWN.



STEP 5

- A. ASSEMBLY IS COMPLETED.



IMPORTANT NOTES:

- PLACE ALL WOODEN PARTS ON A CLEAN AND SMOOTH SURFACE TO AVOID SCRATCHING.
- KINDLY FOLLOW THE ASSEMBLY INSTRUCTION STEP BY STEP.
- WE RECOMMEND THAT YOU PERIODICALLY TIGHTEN ALL BOLTS/SCREWS. PLEASE MAKE SURE ALL BOLTS/ SCREWS ARE PLACED IN THEIR PROPER POSITION AND ARE TIGHTENED SECURELY TO ENSURE YOUR SAFETY.
- WEIGHT RESTRICTION: TOP: 25 LBS, BASKET: 15 LBS.
- DO NOT STAND OR CLIMB ON THE TOWER.
- NOT FOR COMMERCIAL USE.