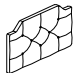


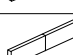


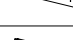
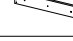



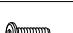


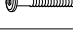
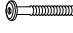


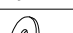

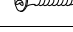
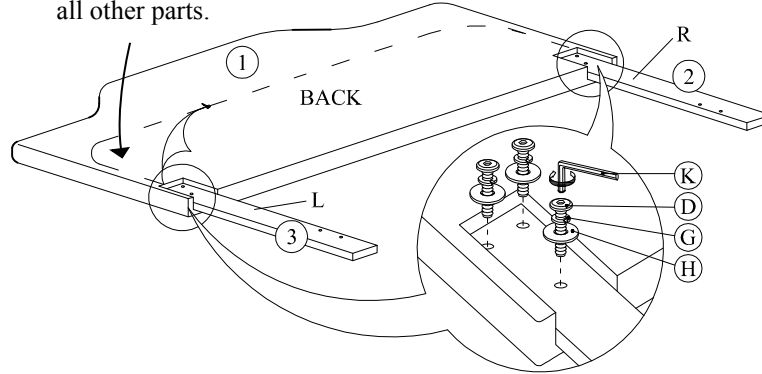


ASSEMBLY INSTRUCTION

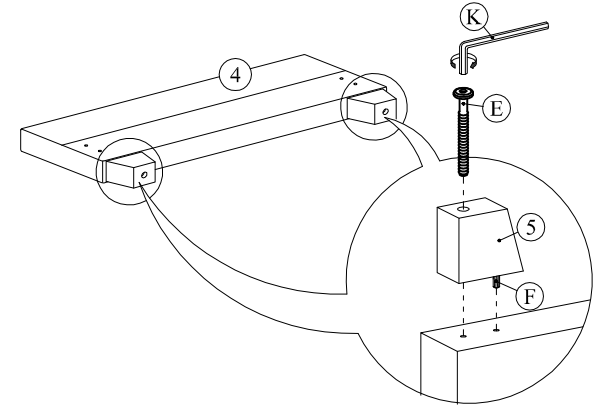
NO	PARTLIST	QTY
1	 HEADBOARD CUSHION	1PC
2	 LEFT HEADBOARD LEG (WITH "R" LABEL)	1PC
3	 RIGHT HEADBOARD LEG (WITH "L" LABEL)	1PC
4	 FOOTBOARD CUSHION	1PC
5	 FOOTBOARD LEG	2PCS
6	 SIDE RAIL	2PCS
7	 SIDE RAIL	2PCS
8	 CLEAT	4PCS
9	 SIDE RAIL SUPPORT LEG	2PCS
10	 SLAT	4PCS
ITEM	HARDWARE	QTY
A	 JCBB SCREW M8 x 20MM	8PCS
B	 JCBC SCREW M6 x 25MM	8PCS
C	 JCBC SCREW M6 x 35MM	16PCS
D	 JCBC SCREW M6 x 50MM	6PCS
E	 JCBC SCREW M6 x 110MM	2PCS
F	 WOOD DOWEL M8 x 30MM	2PCS
G	 SPRING WASHER M6 x 13MM	30PCS
H	 FLAT WASHER M6 x 19MM	30PCS
I	 SCREW M4 x 32MM	8PCS
J	 L - KEY M5 x 65MM	1PC
K	 L - KEY M4 x 100MM	1PC

STEP 1

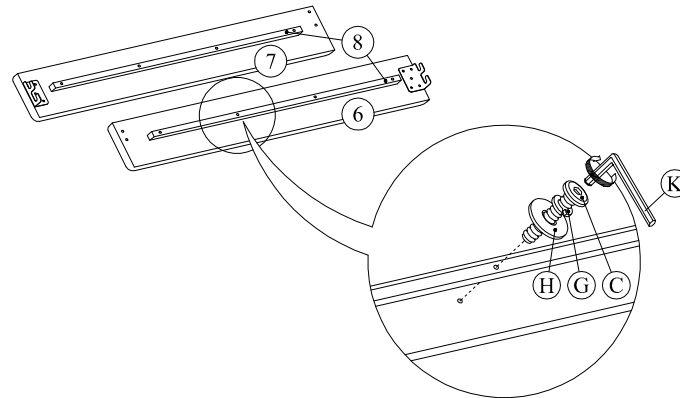
Open zipper to get all other parts.



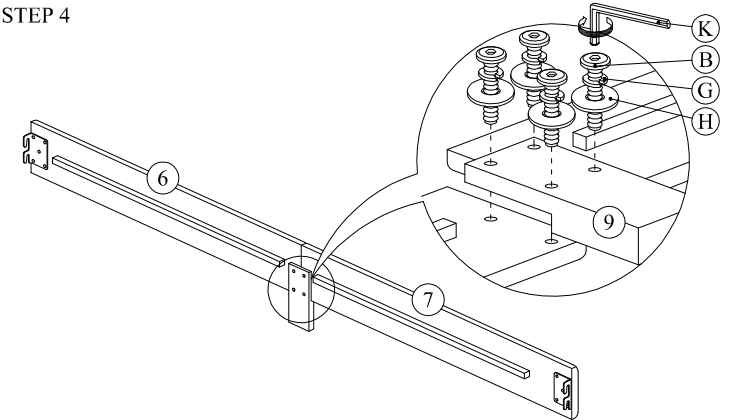
STEP 2



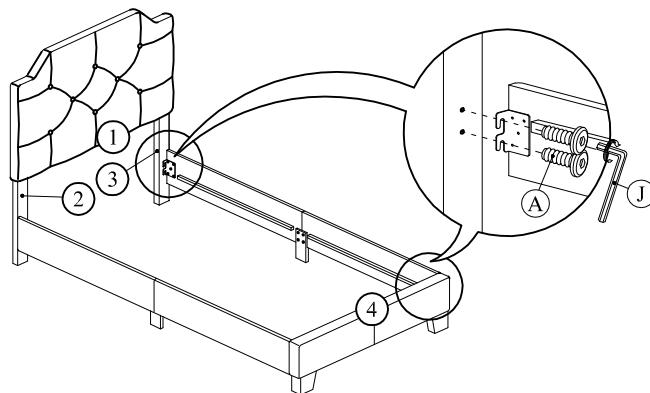
STEP 3



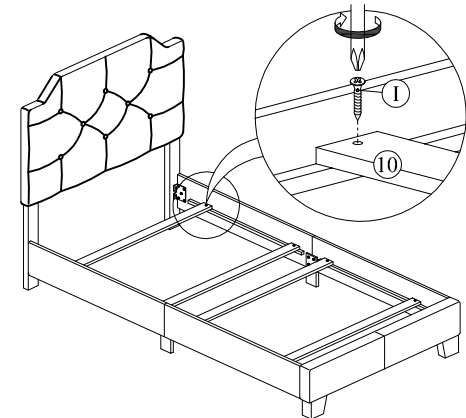
STEP 4



STEP 5



STEP 6



ASSEMBLY COMPLETE