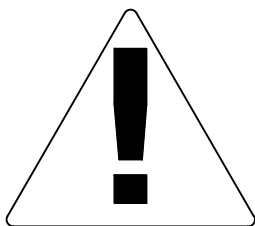
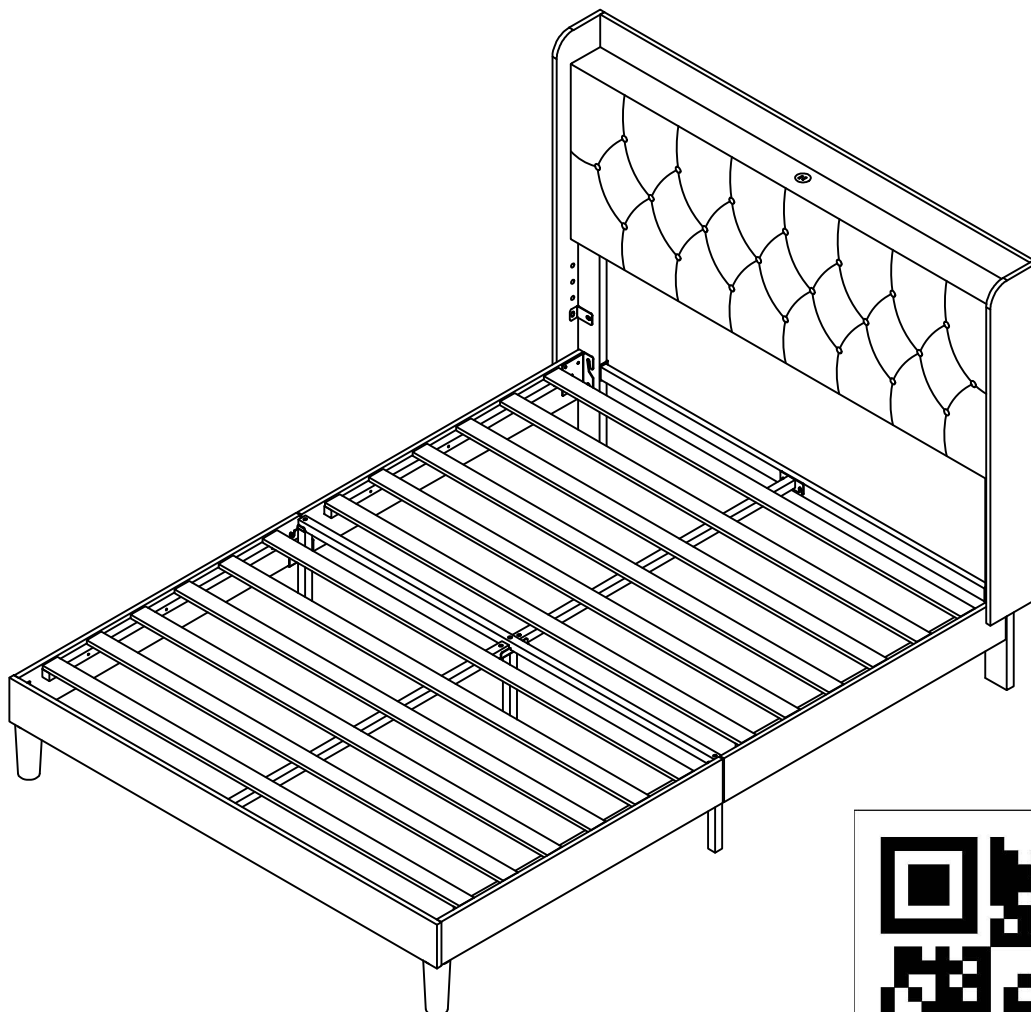


Start Furnishing Your Dream!



The power of using electrical appliances cannot exceed 10W

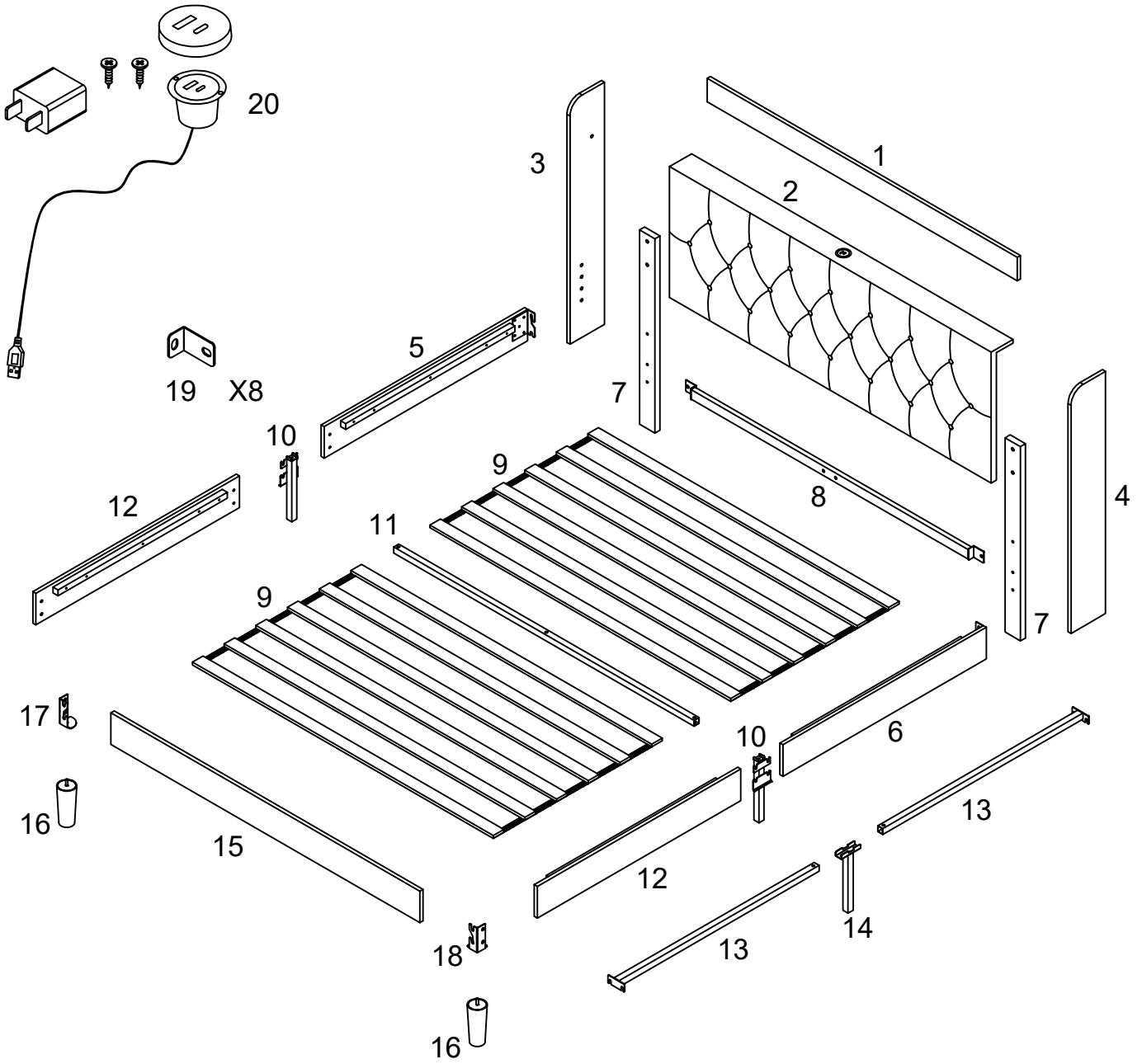


Please scan the QR code to view the installation video

Please check that you have all the parts listed before you start assembling, if you do find that something is missing, do not continue assembly. Please contact us immediately.

NOTE: Please do not completely tighten all the hardware until the entire assembly is complete!

Part list



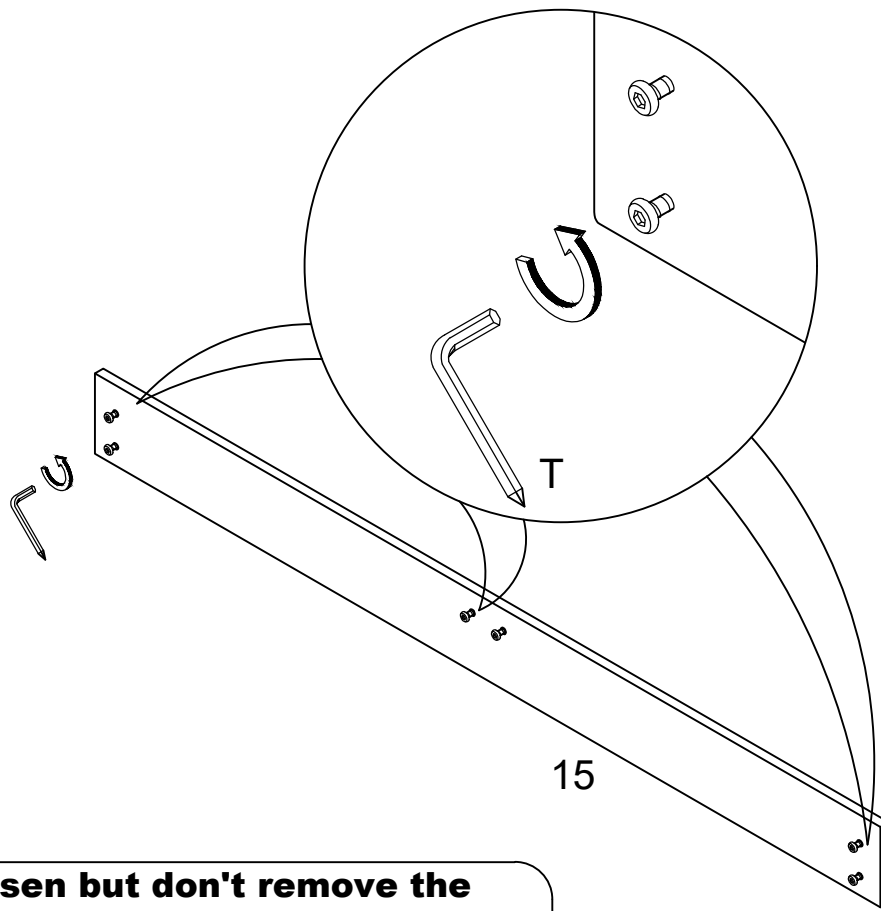
Part list

1	1PC	2	1PC	3	1PC	4	1PC	5	1PC
6	1PC	7	2PCS	8	1PC	9	2PCS	10	2PCS
11	1PC	12	2PCS	13	2PCS	14	1PC	15	1PC
16	2PCS	17	1PC	18	1PC	19	8PCS	20	1PC

Hardware list

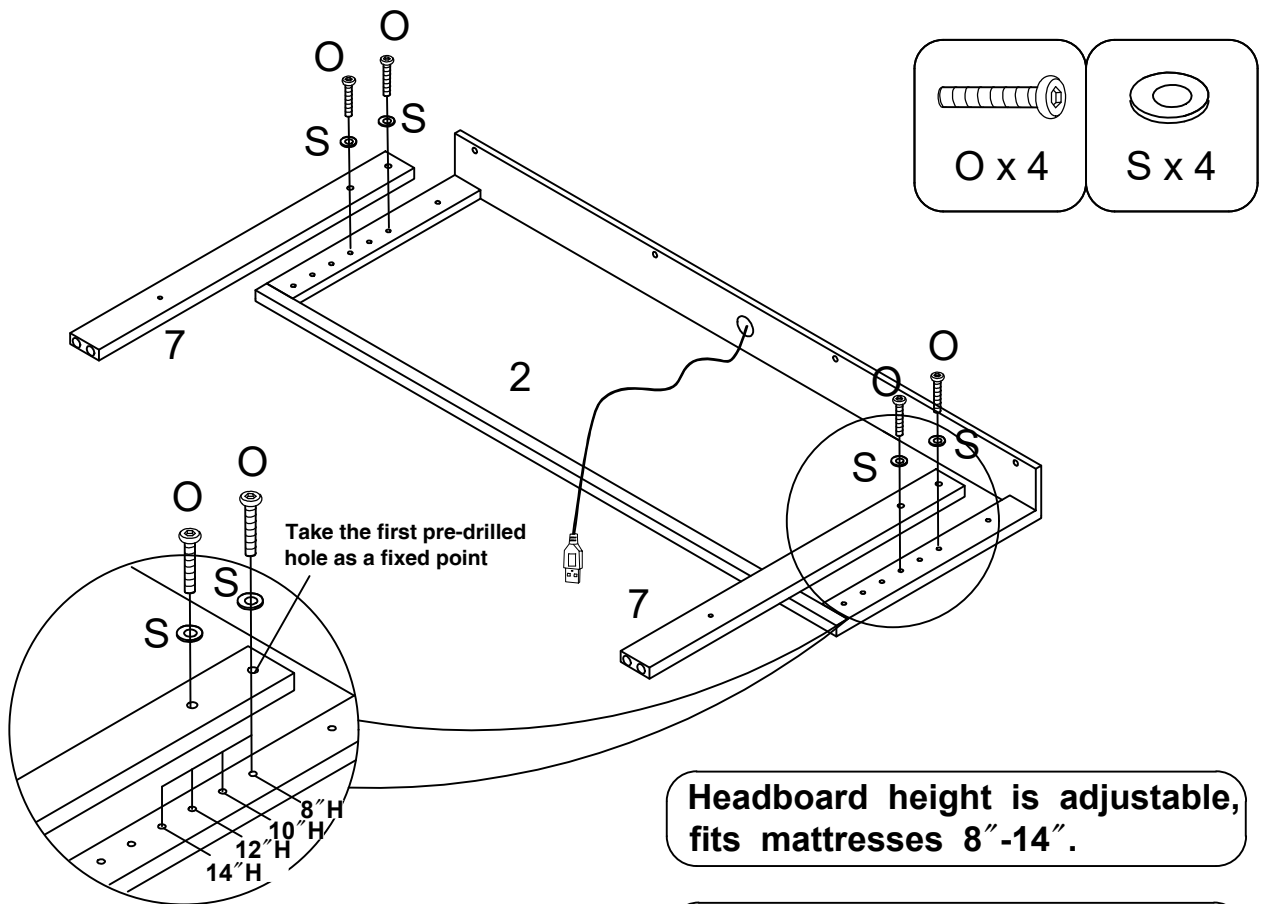
O	P	Q	R	S	T
M8 x 50mm O x 5	M8 x 40mm P x 4	M8*25mm Q x 6	M8 x 18mm R x 30	φ22*φ8.5 S x 4	M8 T x 1

1



Loosen but don't remove the pre-installed screws.

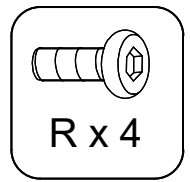
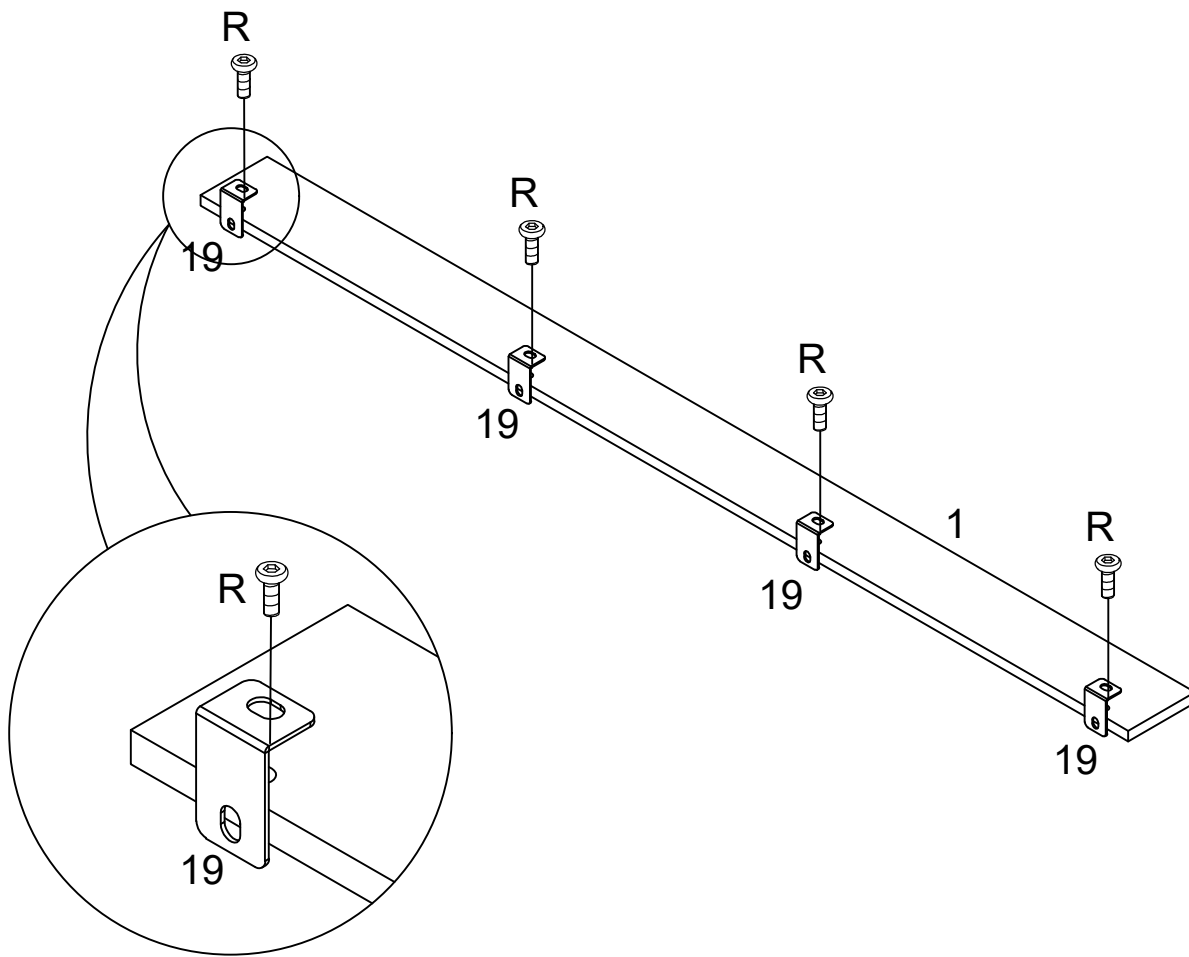
2



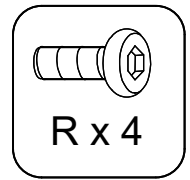
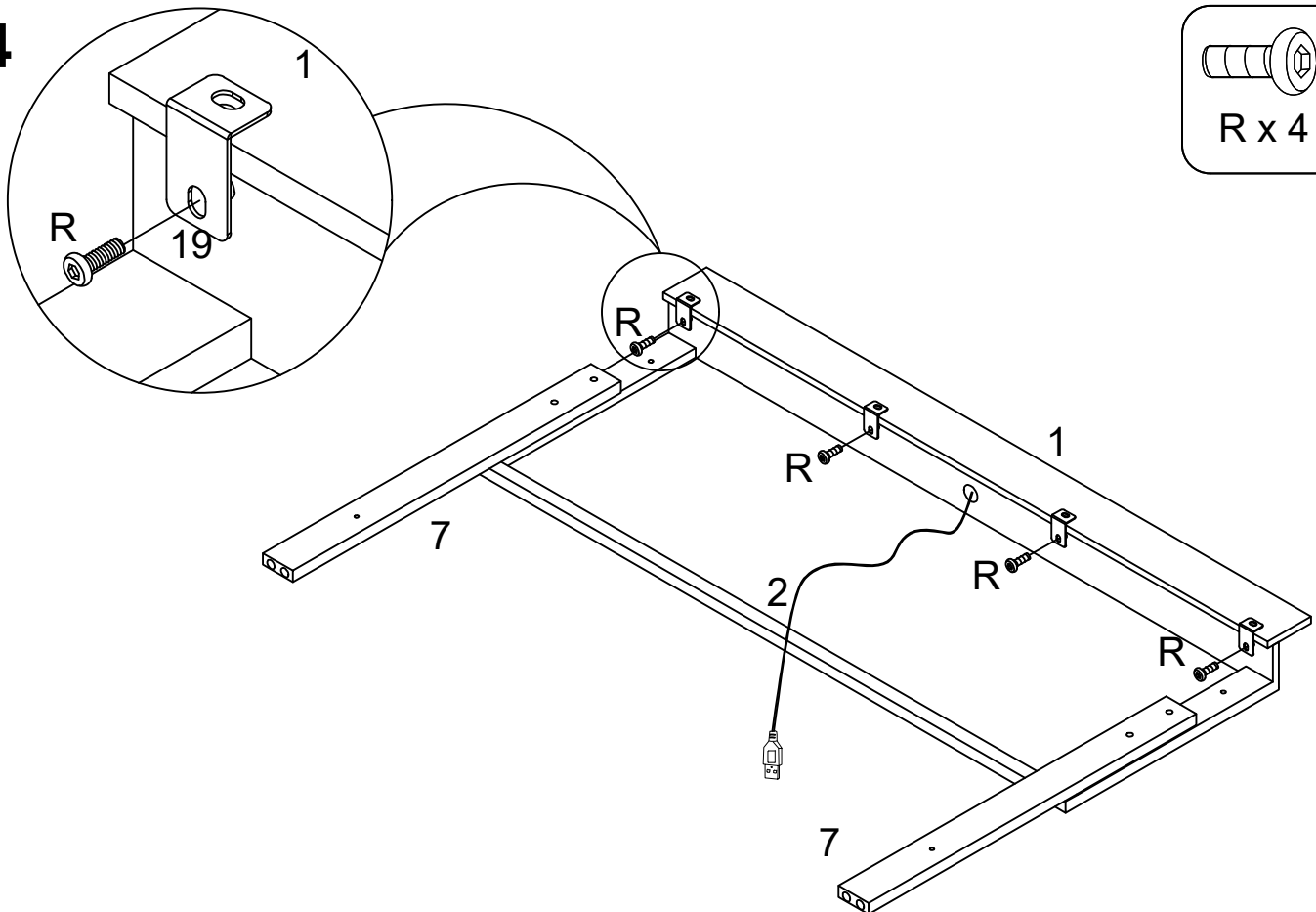
Headboard height is adjustable, fits mattresses 8"-14".

Pay attention to distinguish the front and back of part 7

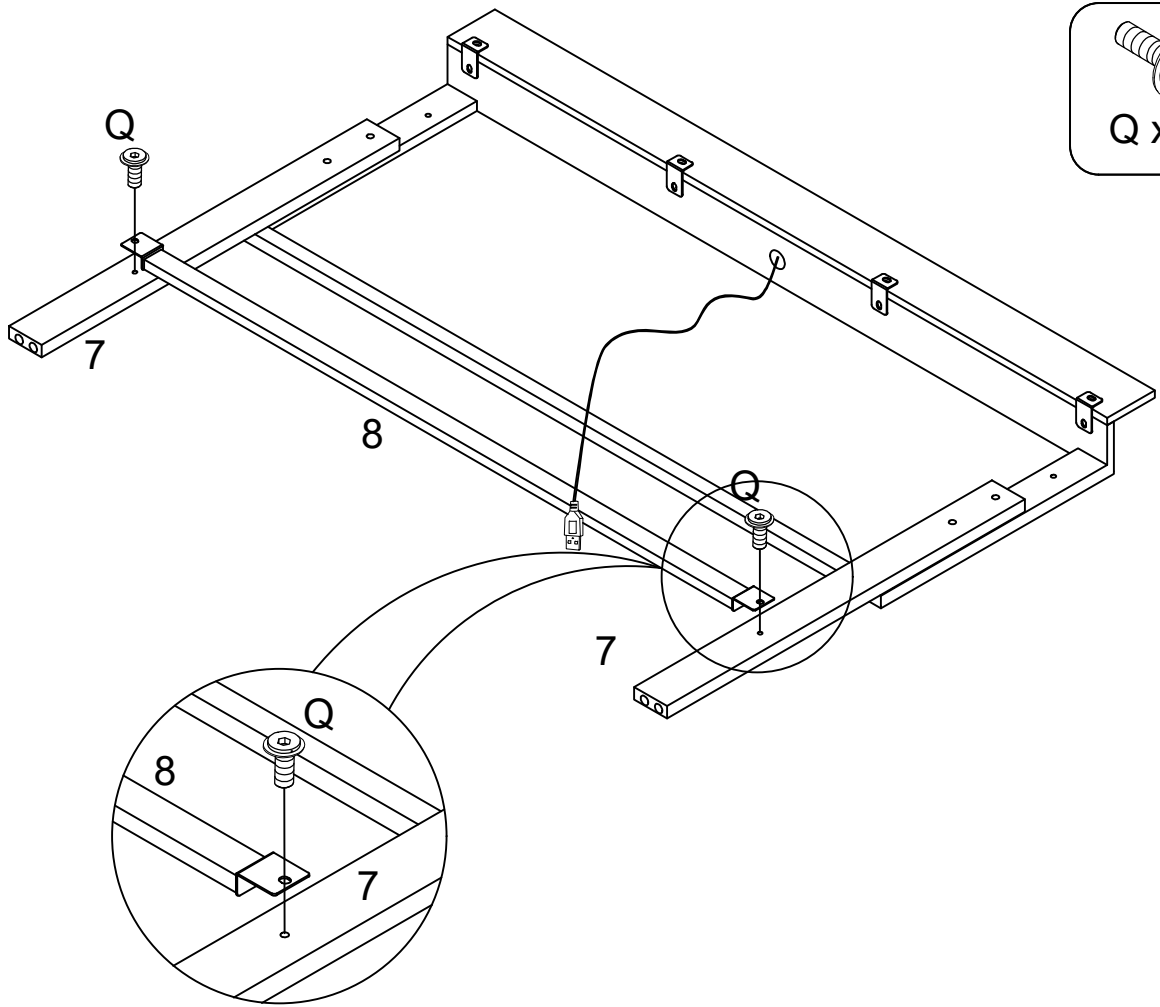
3



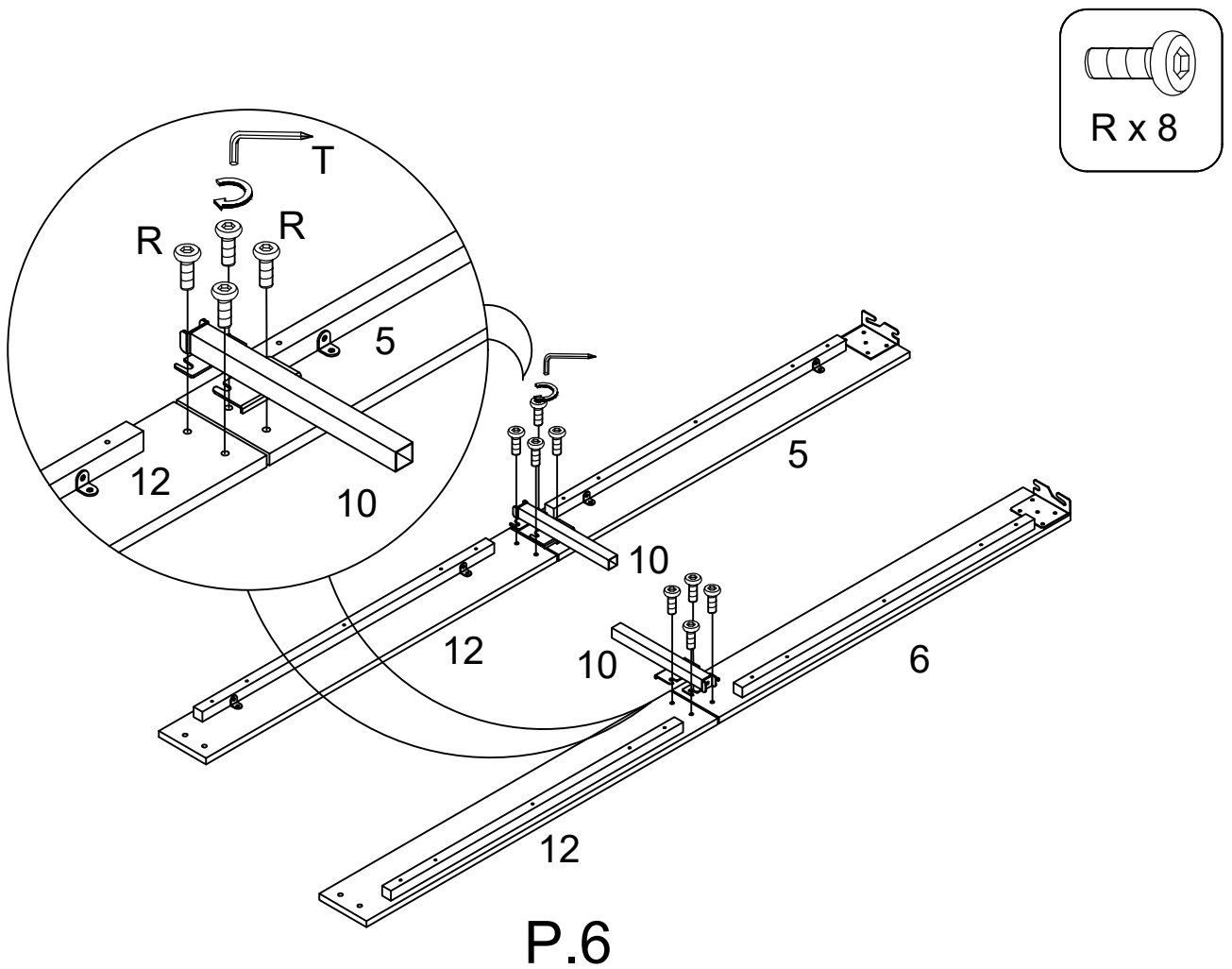
4



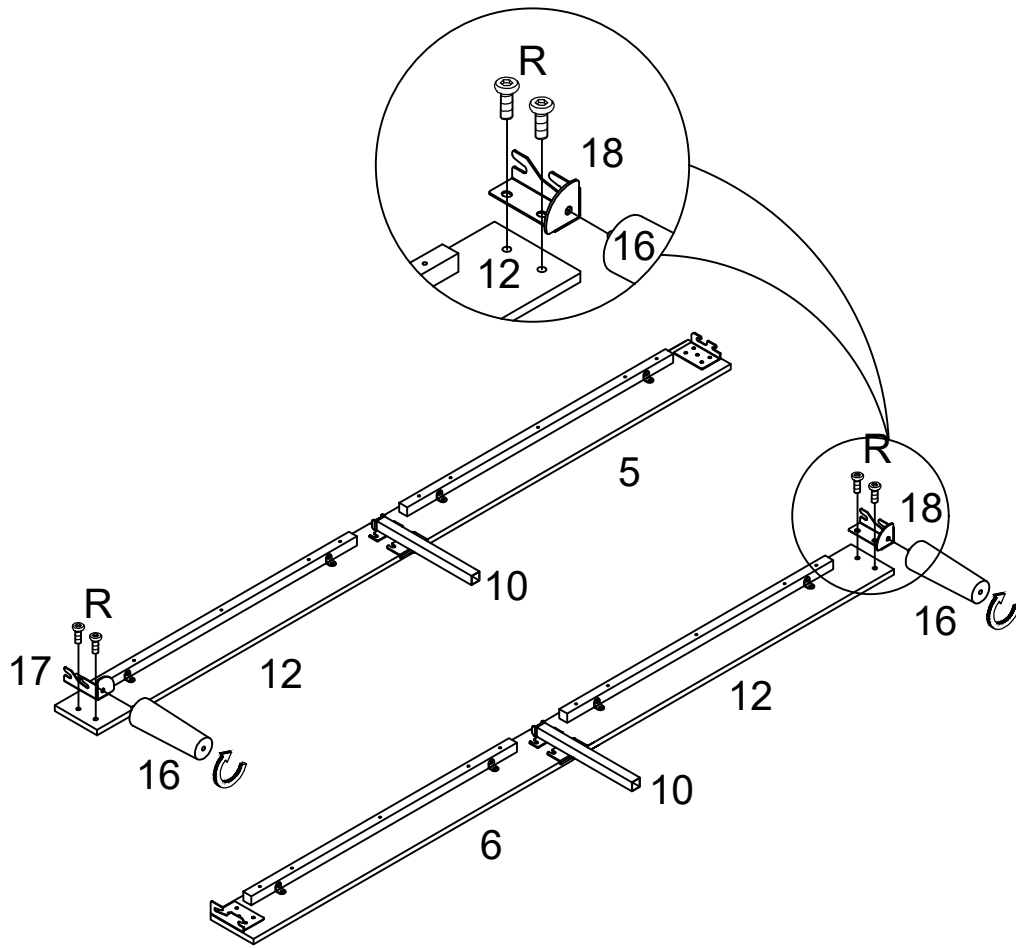
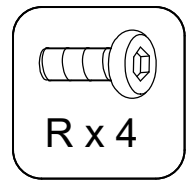
5



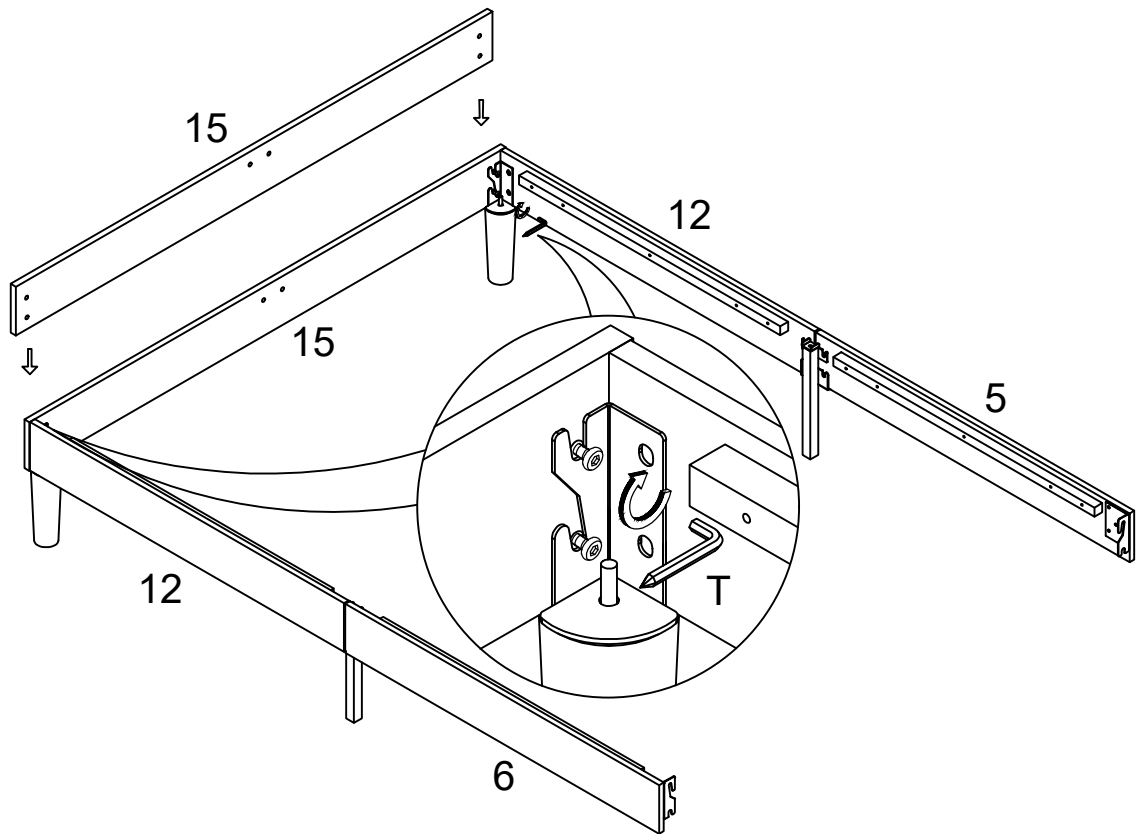
6



7

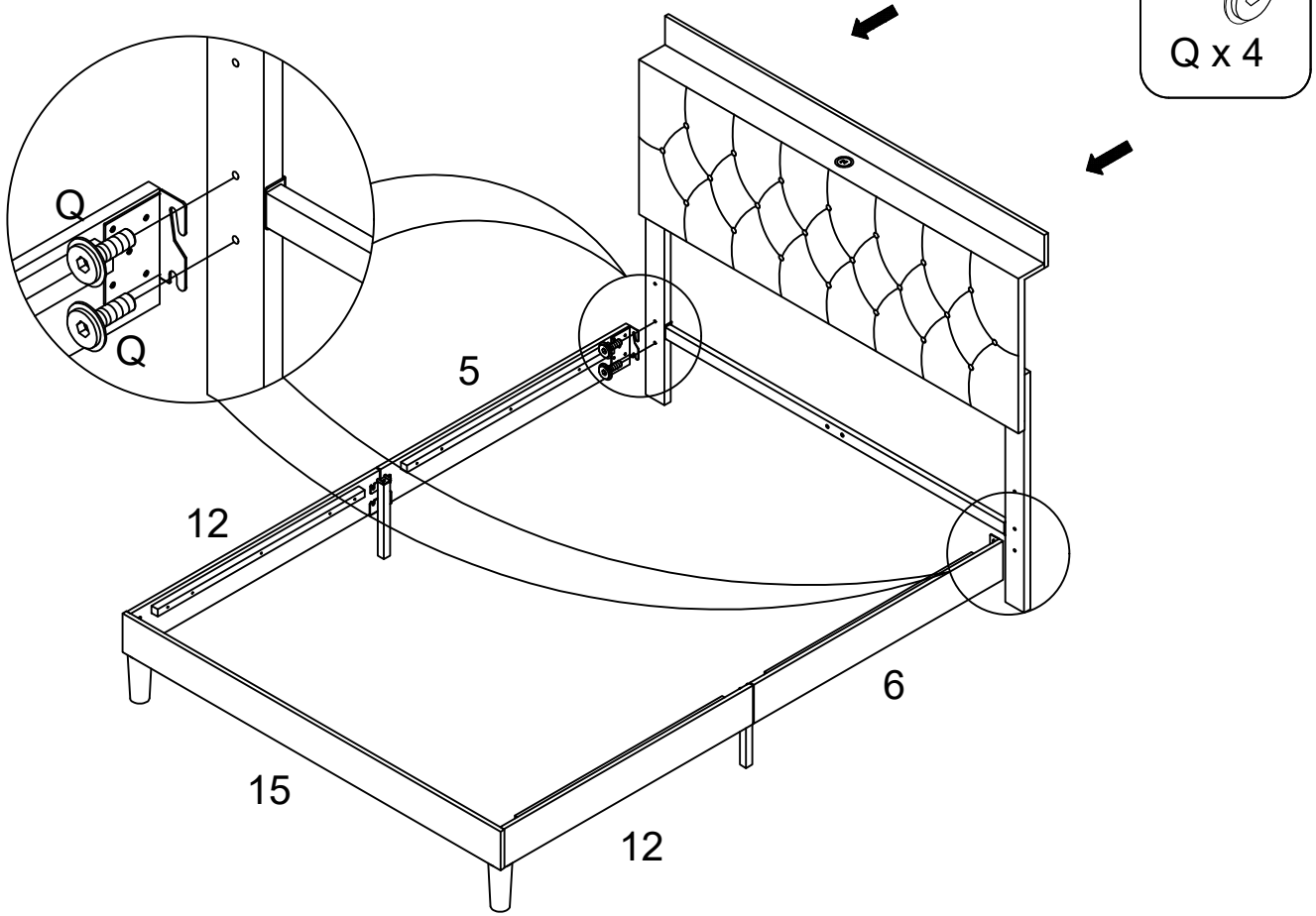


8

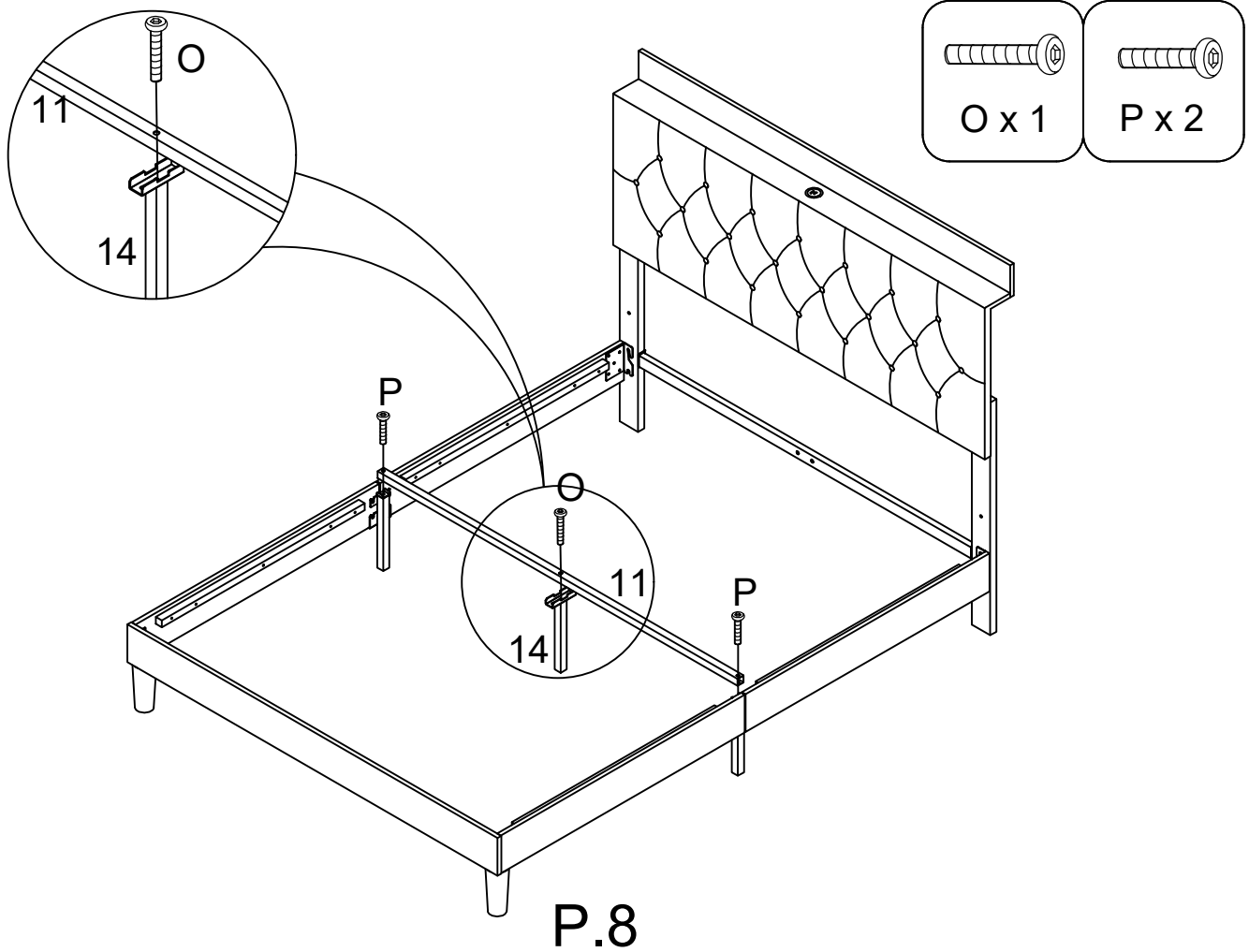


P.7

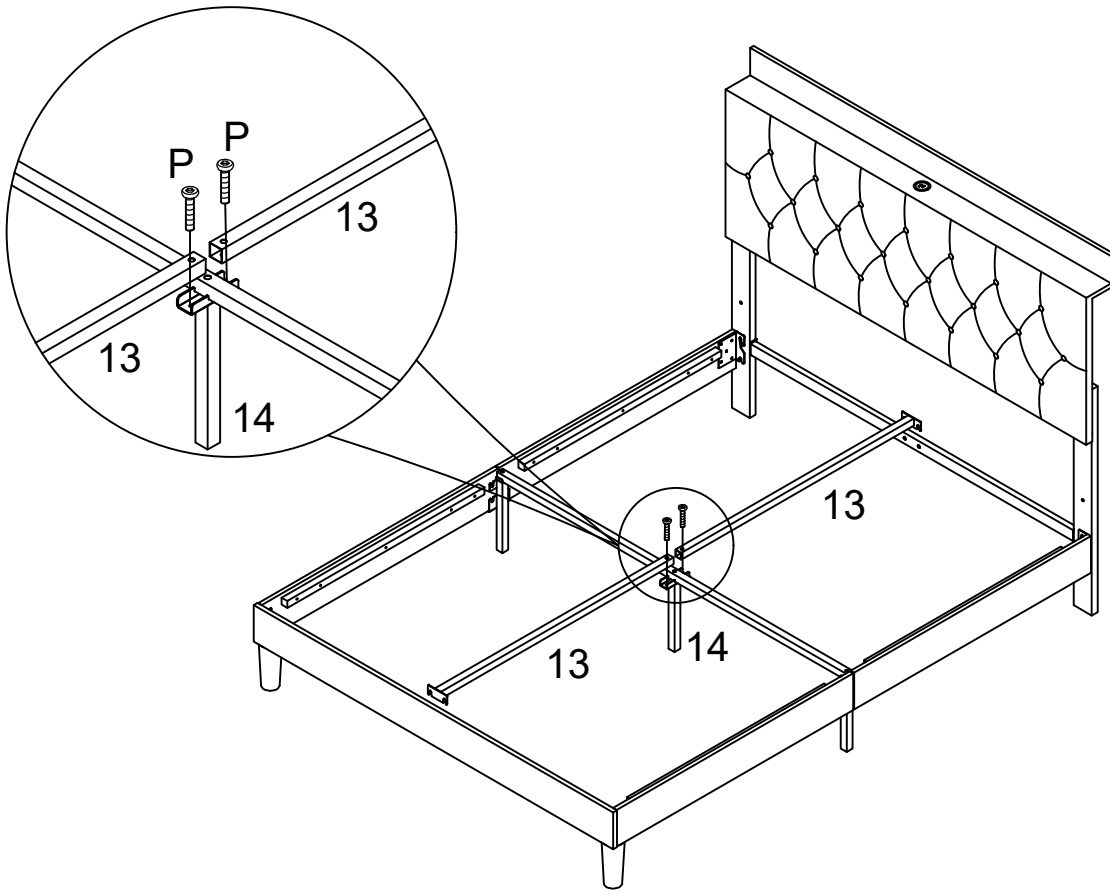
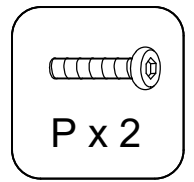
9



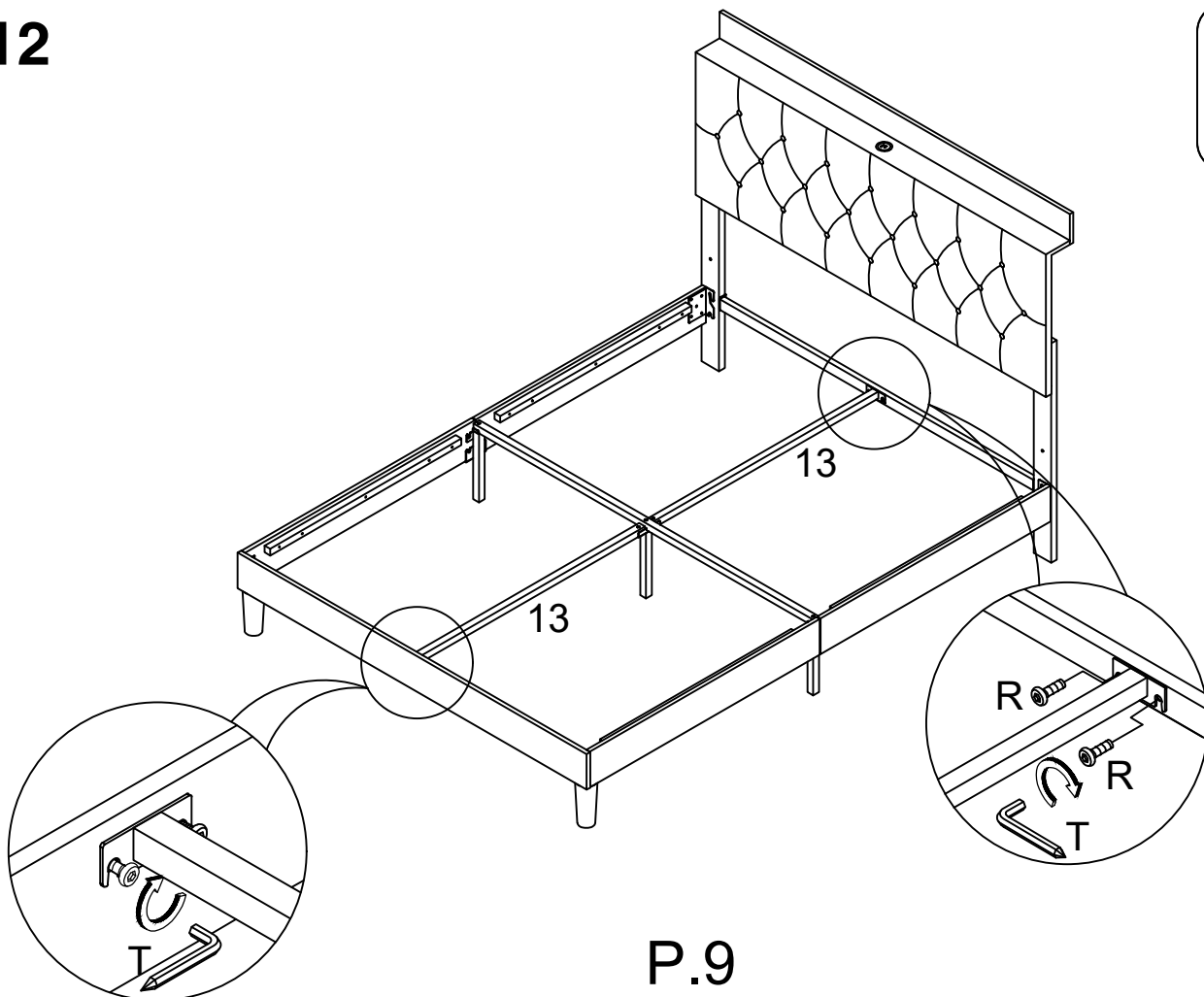
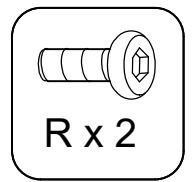
10



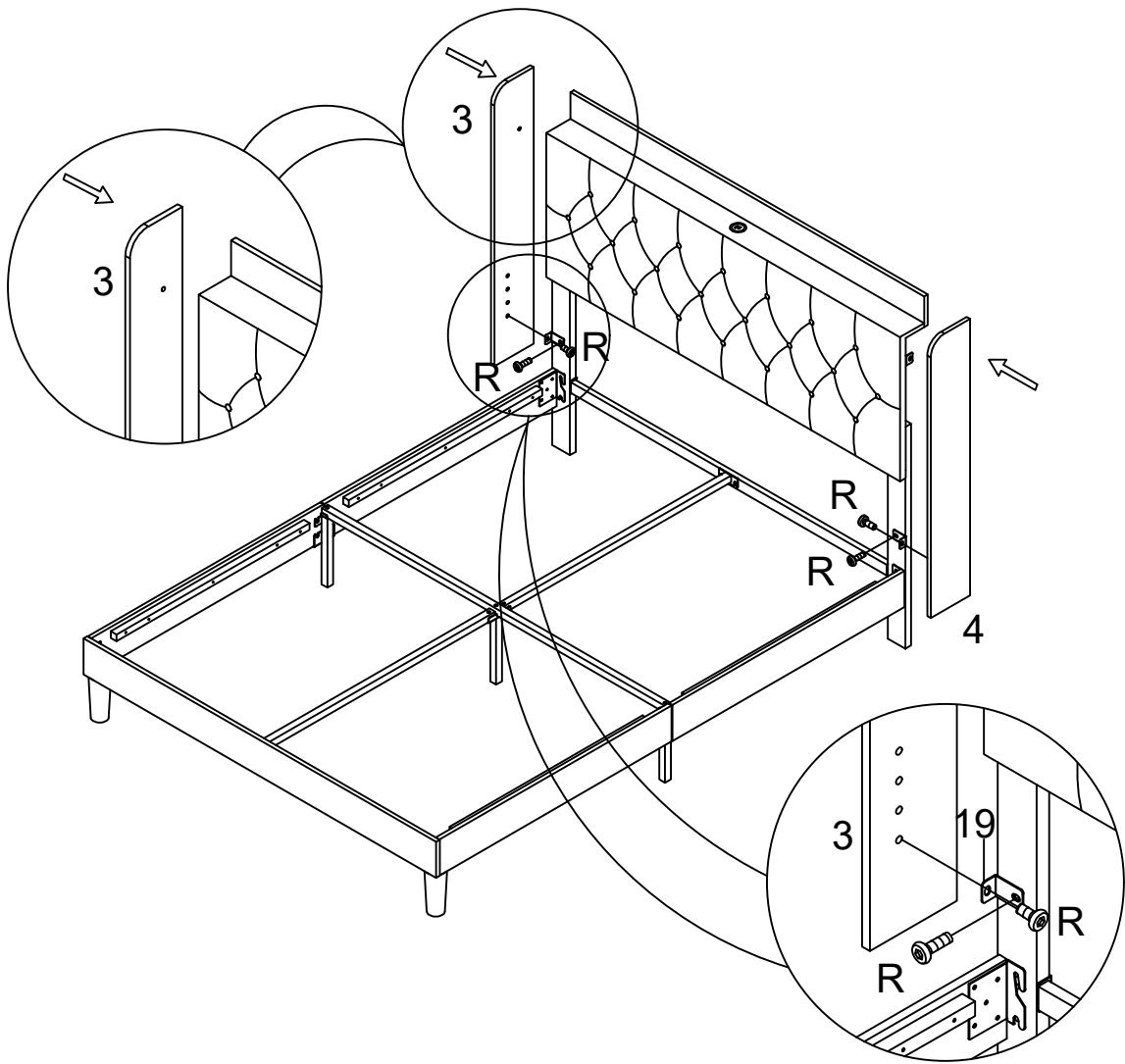
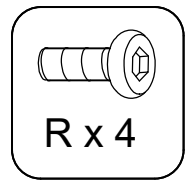
11



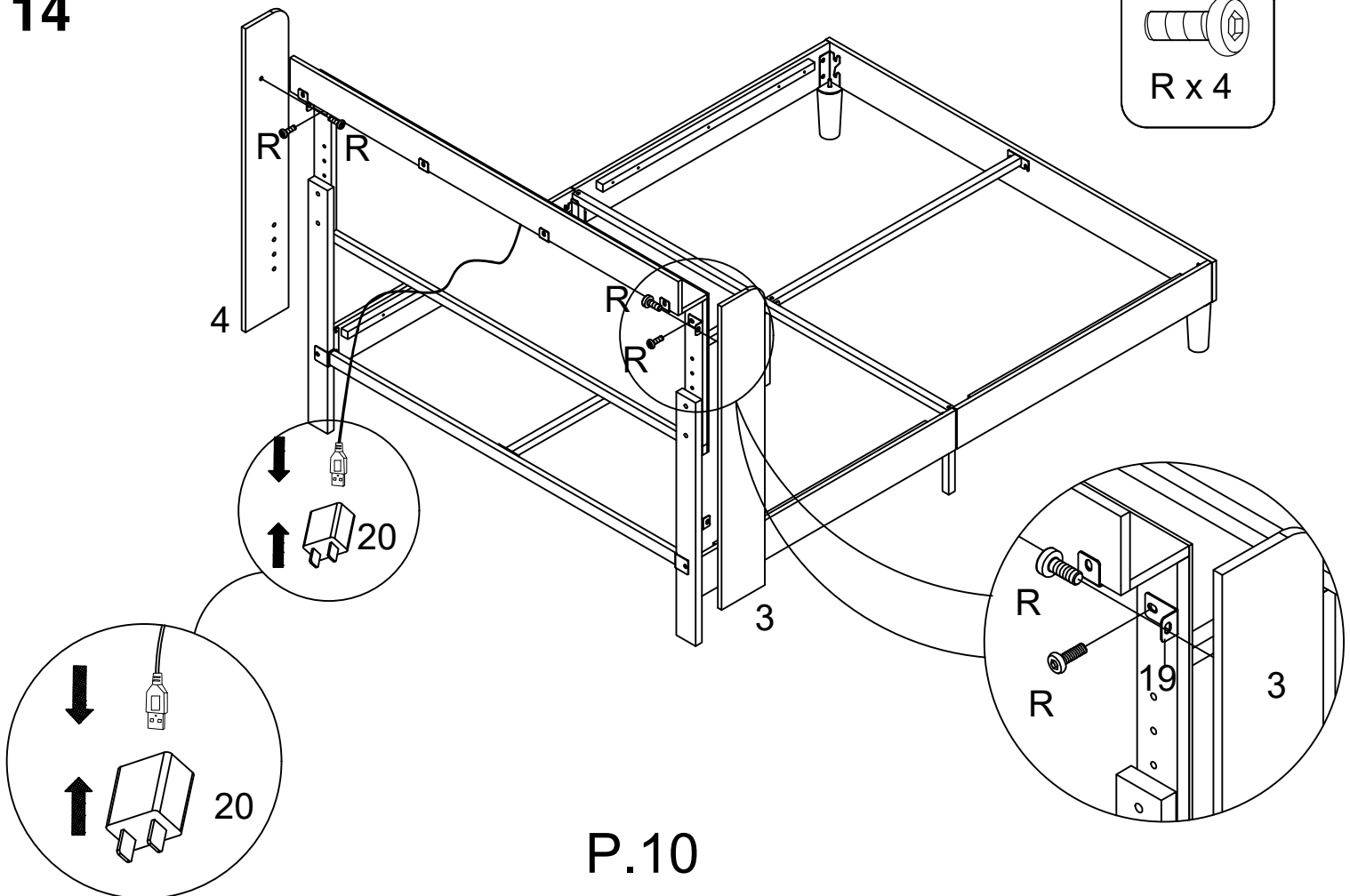
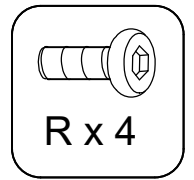
12



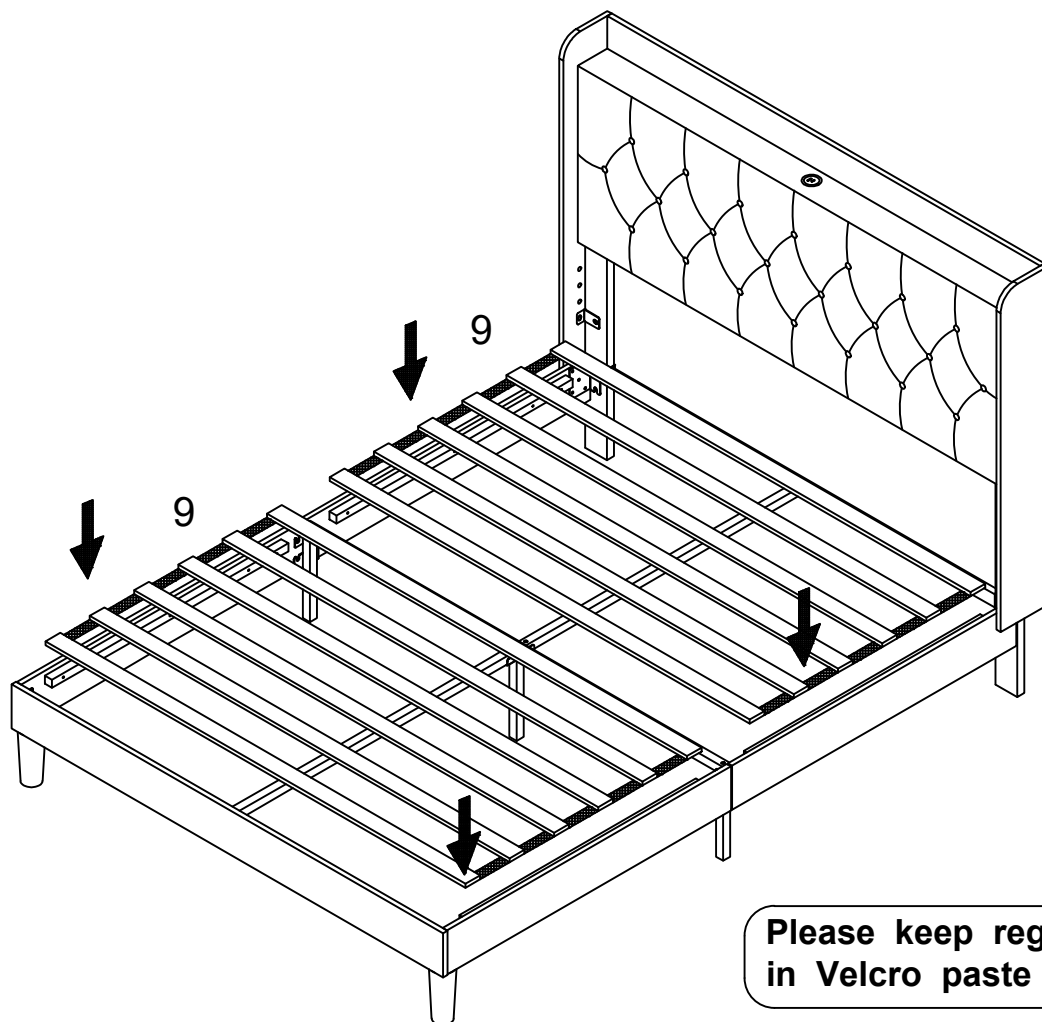
13



14



15



16



Final Assembly

P.11