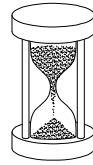
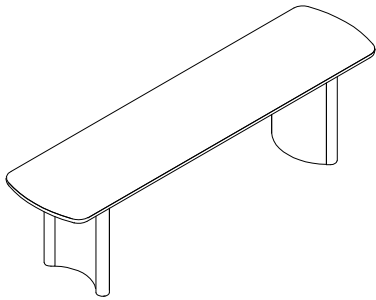
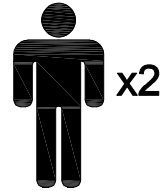


4225 - 03 / 4225 BLK - 03 GABRIELLE BENCH

ASSEMBLY INSTRUCTIONS



15 MIN



TOOLS REQUIRED
(Allen Key provided)

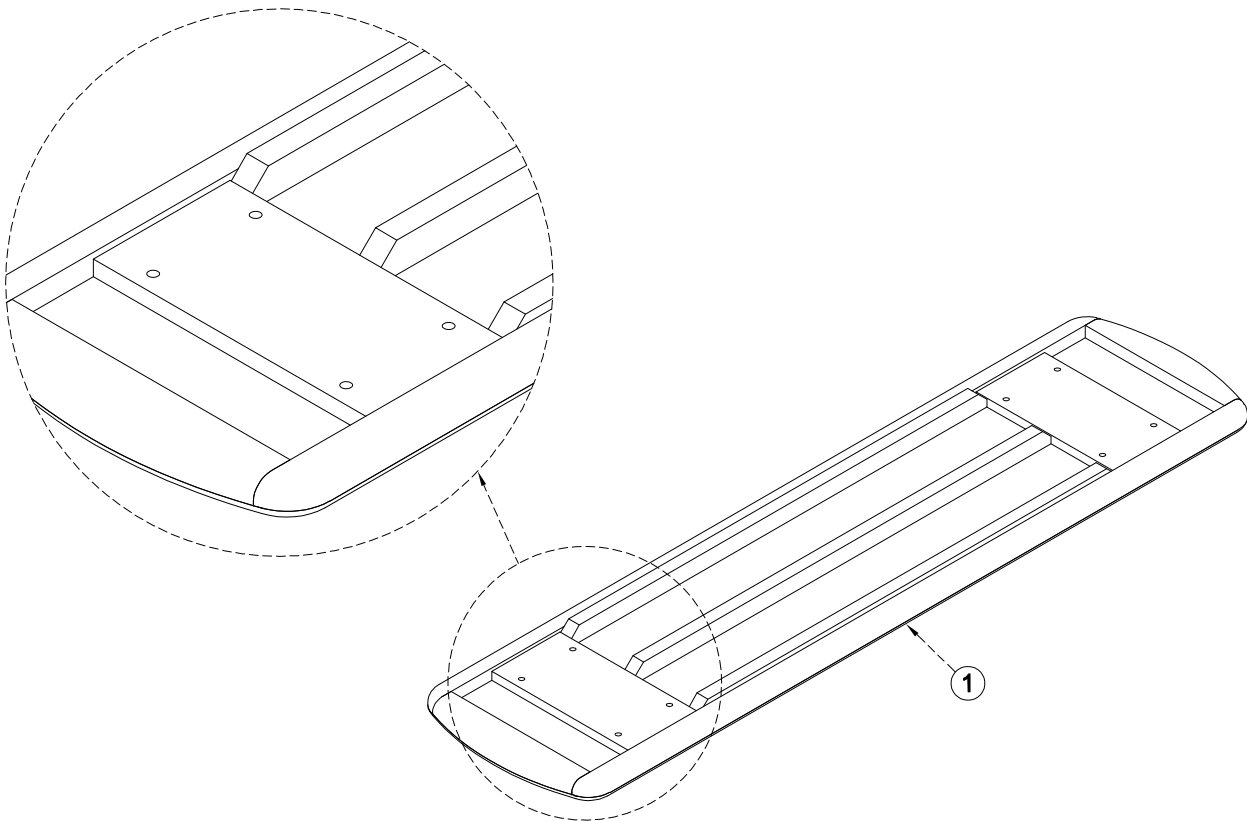
PART LIST

HARDWARE LIST

No.	Description	Sketch	Quantity	No.	Description	Sketch	Size	Quantity
1	TOP		1pc	A	Allen Bolt		M8 x 35mm	8pcs
				B	Spring Washer		M8 x 1.2 x 13mm	8pcs
2	LEGS		2pcs	C	Flat Washer		M8 x 2 x 19mm	8pcs
				D	Allen Key		4mm x 50	1pc

STEP 1

Prepare the Bench Top (1) by placing it upside - down on a flat, soft & clean surface. Locate the legs to be assembled.



4225 - 03 / 4225 BLK - 03 GABRIELLE BENCH

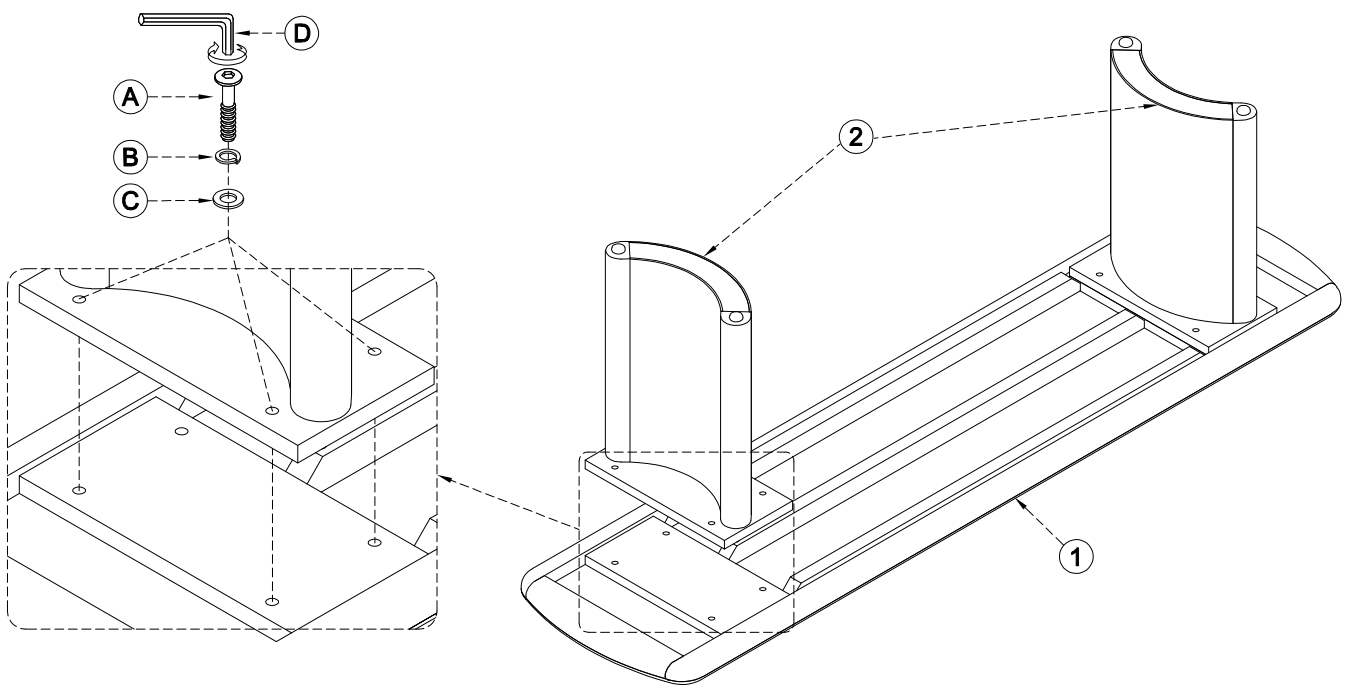
ASSEMBLY INSTRUCTIONS

STEP 2

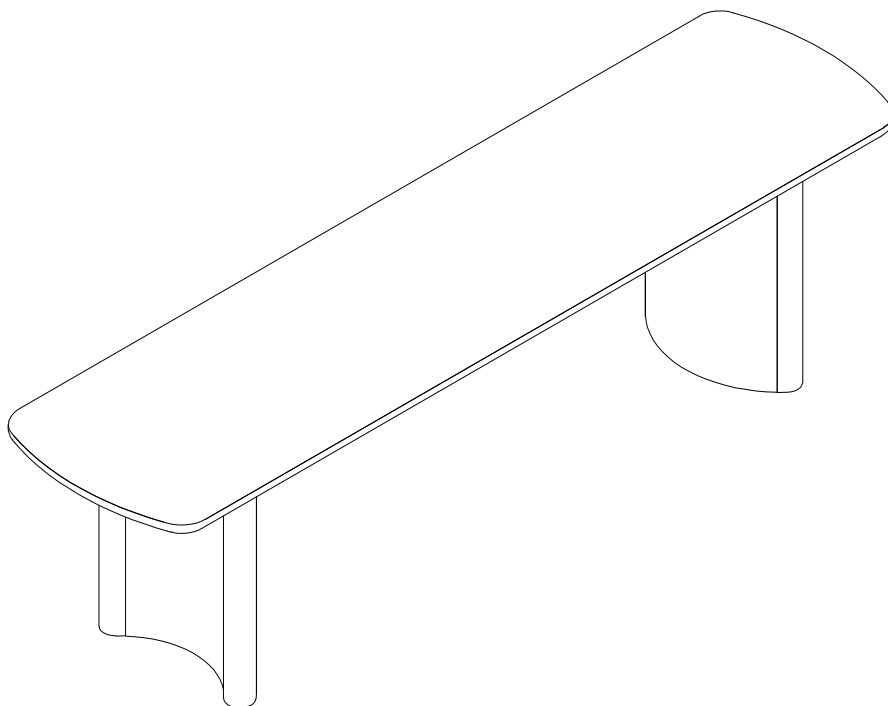
Assemble each bench leg (2) by attaching it in connecting holes.

Align Bolt (A) fitted with a Spring Washer (B) & a Flat Washer (C) through the Connecting holes. See image below.

Tighten all the bolts with Allen Key (D).



ASSEMBLY COMPLETED



"Carefully reposition the Bench Upright with the help of Two or more adults"