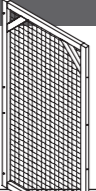
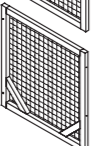
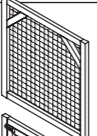
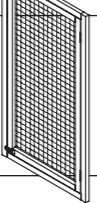
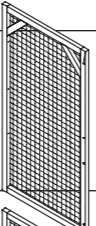
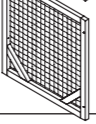
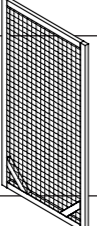
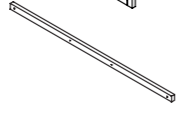

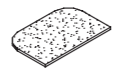
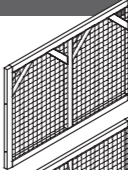
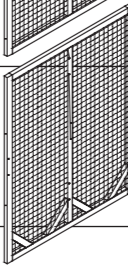
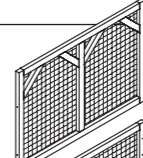
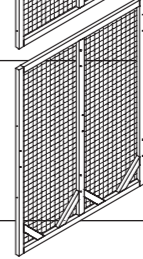
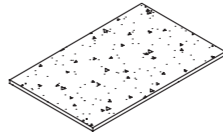







Part List

Wooden Cattery

Pos.	Description	Measurement	Quantity	Item
1	Upper front and back parts, left (For wall mounting only one is needed)	600 × 1160 × 35 mm	2	
2	Lower front and back parts, left (For wall mounting only one is needed)	600 × 622 × 35 mm	2	
3	Upper front and back parts, middle (For wall mounting only one is needed)	600 × 622 × 35 mm	2	
4	Front door, middle	600 × 1160 × 35 mm	1	
5	Upper front and back parts, right (For wall mounting only one is needed)	600 × 1160 × 35 mm	2	
6	Lower front and back parts, right (For wall mounting only one is needed)	600 × 622 × 35 mm	2	
7	Lower back part, middle (Exclusively for stand alone mounting)	600 × 1160 × 35 mm	1	
8	Wall mounting bar (Exclusively for wall mounting)	1160 × 35 × 35 mm	1	
9	Brackets for platforms	235 × 200 × 35 mm	12	
10	Platforms	457 × 300 × 15 mm	6	

Pos.	Description	Measurement	Quantity	Item
11	Upper side part, left	880 × 622 × 35 mm	1	
12	Lower side part, left	880 × 1160 × 35 mm	1	
13	Upper side part, right	880 × 622 × 35 mm	1	
14	Lower side part, right	880 × 1160 × 35 mm	1	
15	Roof parts	950 × 600 × 21 mm	3	
16	Cover bars for the roof	950 × 50 × 12 mm	2	

Pos.	Description	Size	Quantity	Item
A	Countersunk screw	M4 × 55 mm	20+1	
B	Countersunk screw	M4 × 60 mm	50+1	
C	Countersunk screw	M4 × 35 mm	36+1	
D	Countersunk screw	M4 × 25 mm	8+1	

USA Made in China.

MX Hecho en China.

Stand alone mounting

1. Fix the brackets for the platforms (9) together with the lower side parts (12/14).
 12 x **B**

2. Now screw the platforms (10) to the brackets.
 24 x **C**

3. Fix the side parts (11-14) together with the front parts (1-6).
 14 x **B**
 10 x **A**

4. Screw the back parts (1-3/5-7) to the side parts.
 12 x **B**
 10 x **A**

5. Now fix the roof parts (15) to the cattery.
 12 x **C**

6. Finally screw the coverbars (16) to the roof.
 8 x **D**

Wall mounting

1. Fix the brackets for the platforms (9) together with the lower side parts (12/14).
 12 x **B**

2. Now screw the platforms (10) to the brackets.
 24 x **C**

3. Fix the side parts (11-14) together with the front parts (1-6).
 12 x **B**
 10 x **A**

4. Fix the cattery to the wall and screw the wall mounting bar (8) to the wall.
 4 x **B**
 8 x **A**

5. Now fix the roof parts (15) to the cattery.
 10 x **C**

6. Finally screw the coverbars (16) to the roof.
 8 x **D**