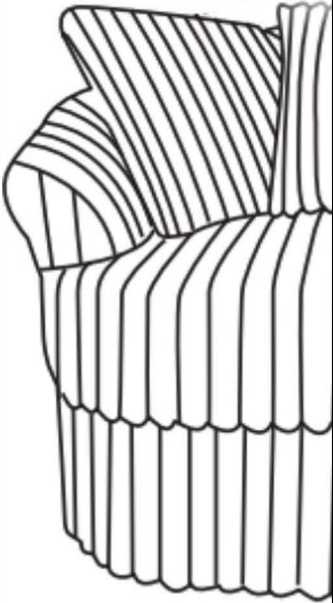


Owner Manual



WARRANTY

We strive to offer high quality product and we also try our best to satisfy each customer that order from us, no matter on products or services as needed. Each customer receives a record of their order, such as the order number or item receipt. For any items that are out of warranty period, you may still be able to purchase the replacement parts from our company if they are available.



MAINTENANCE AND WARNING

Please read the manual thoroughly
before you start installing.

Please keep the product away from
sharp object.

Packaging and small parts may have
chocking hazard, please keep them away
from children and pets.

Please clean the product according to each
clean code, check the product description
for more information.

Please keep the product away from
fire.

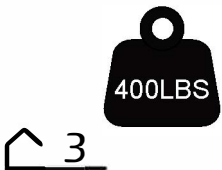
If you have any other questions, please
contact us, we will be glad to help you out.

If the product is placed under direct
sunlight, the pattern or color might fade
away overtime.

Check the product periodically to make
sure everything is secured and tightened.


Always use proper tools for installation.

Do not jump on the product.



Around 45 min

PRODUCT DESCRIPTION



Round shaped lounge chair with great resting space, soft cushions and very functional ottoman.

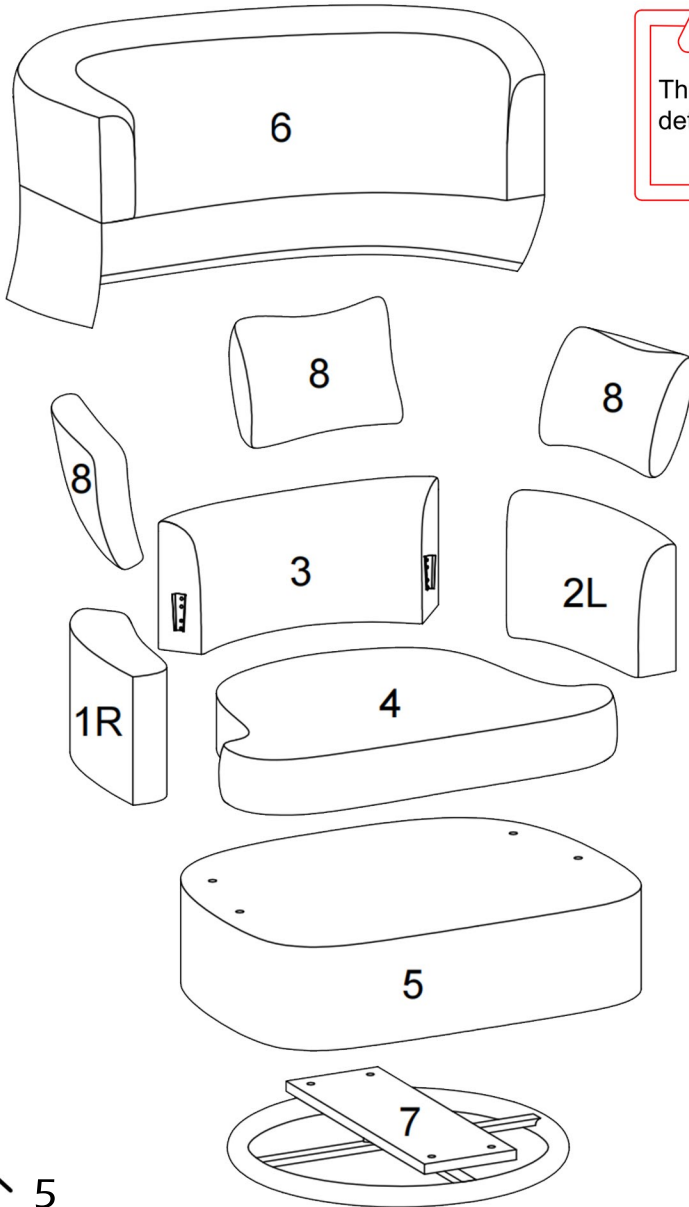
The cushions are filled with high resilience sponge foam, high quality, high elasticity, keeps the cushions in their shape after use.


The fabric is made from selected genuine fur, soft feel, very thick but breathable. And also not easy to pilling.

Easy swivel function allows you to easily manage your tasks without moving around, you can talk with your friends in different directions without leaving the seat.

Removable cover is very easy to maintain.

EXPLODED VIEW




The product's left and right are determined by sitting posture

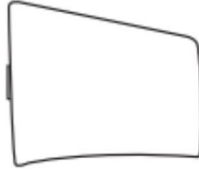
PARTS

(1R)x1



Right armrest

(2L)x1



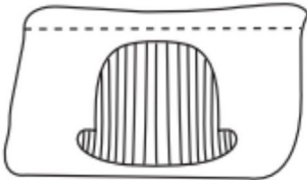
Left armrest

(3)x1



Backrest

(4)x1



Seat cushion

(5)x1



Seat frame

(6)x1



Chair cover

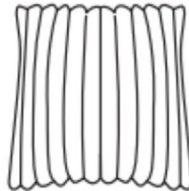
(7)x1



Rotary base

ATTENTION: THE ARROW
SHOWS FRONT

(8)x3



Pillow

HARDWARE

TOOL LIST

NOTE: Designated with (★) We provide additional spare parts in the hardware package

(9)*4

M6*30mm



★ Bolts

(10)*4

M8*60mm



★ Full thread bolt

(11)*4



★ Spring washer

(12)*8



★ Washer

(13)*4



★ Screw nuts

(14)*1



Socket Wrench

(15)*1

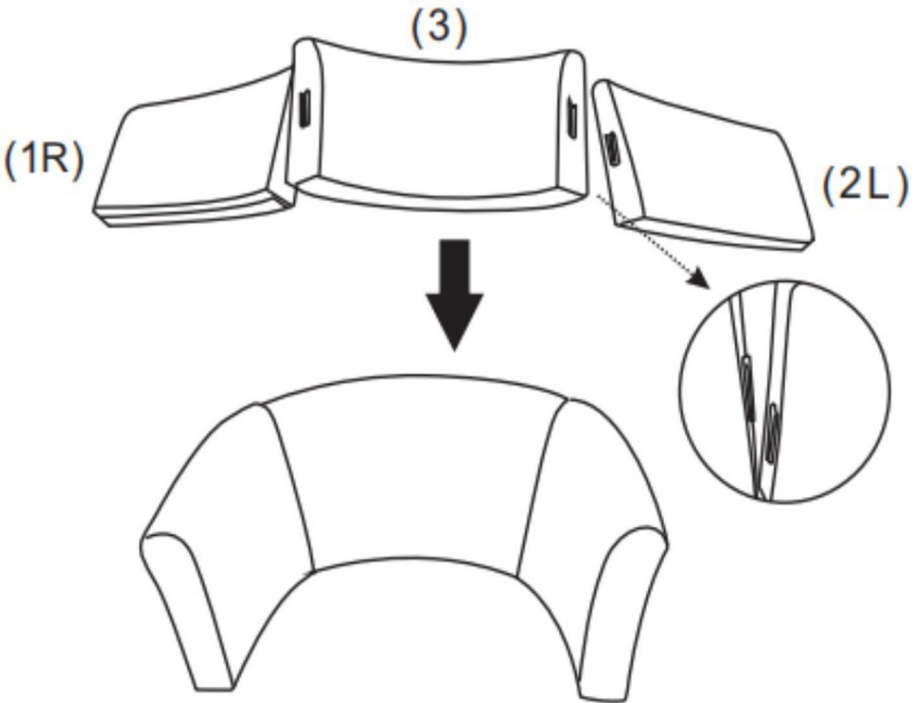


Allen Key M6

Please make sure all hardware & packing material fitting the list. Especially some small accessories may be missing during transportation. Please contact us if you have any question.

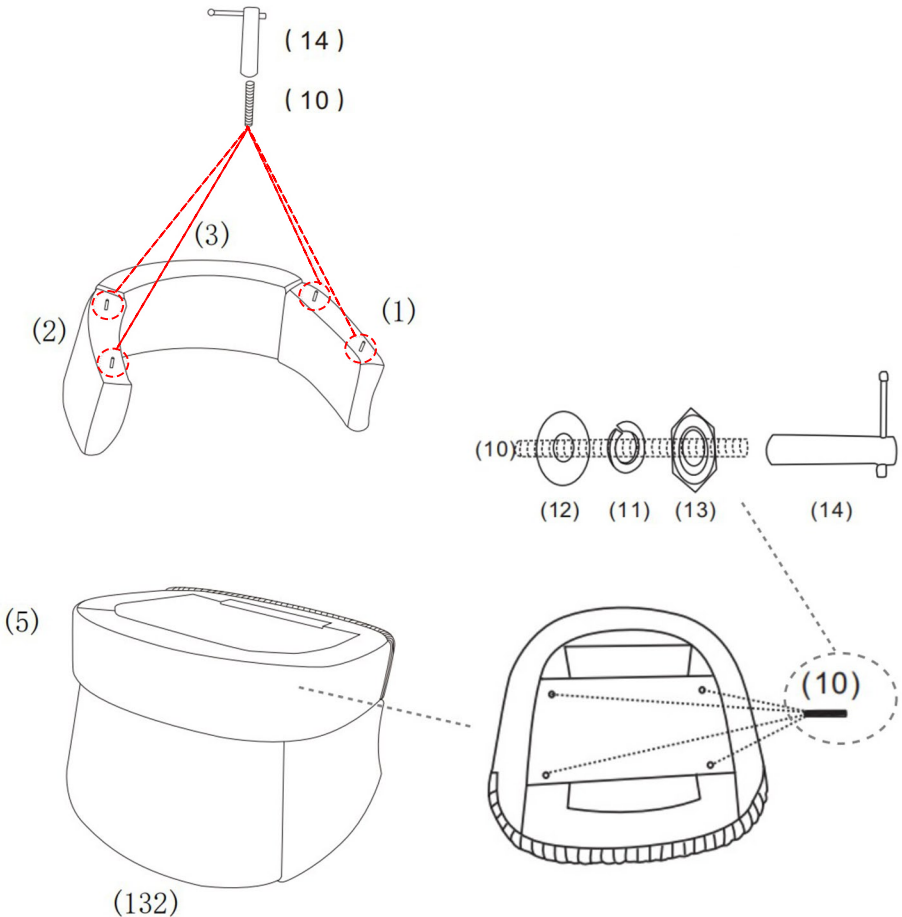
step 1

Install the armrests onto the backrest using the pre-installed connector, make sure both of the connectors are correctly aligned in the slots before pushing down.



step 2

Place the previous part upside down on a clean surface, then twist the full thread bolt into the backrest frame for 1/3, then align the seat frame with the bolts, make sure all bolts are correctly aligned with the bolt holes on seat frame. Then place onewasher, one spring

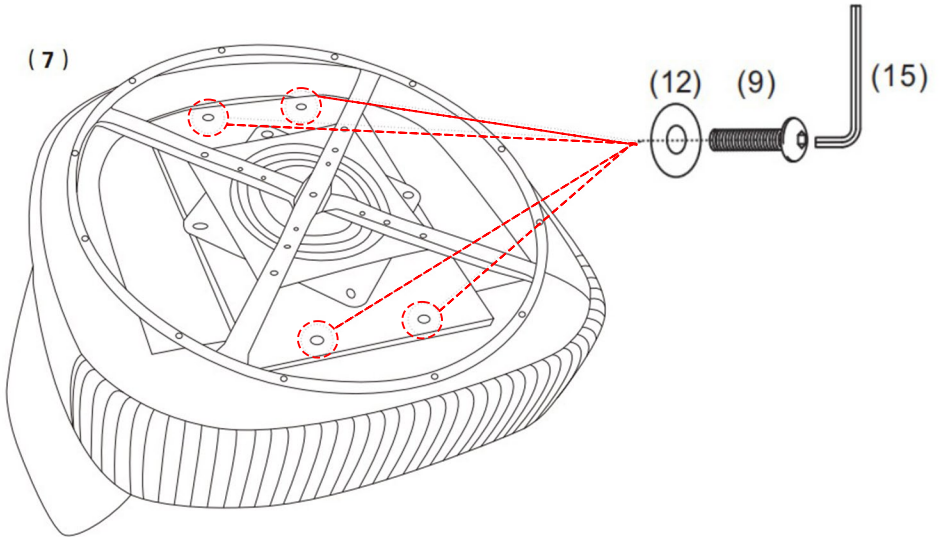


step 3

Install the Rotary base on the bottom of the seat frame as shown, make sure the arrow points the front.

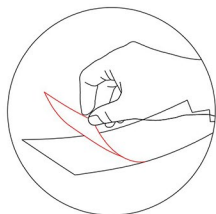


First add one flat washer on each bolt as shown, use the allen wrench provided to tighten all the bolts by 30-50% first, make sure that all bolts are aligned correctly before fully tightening.

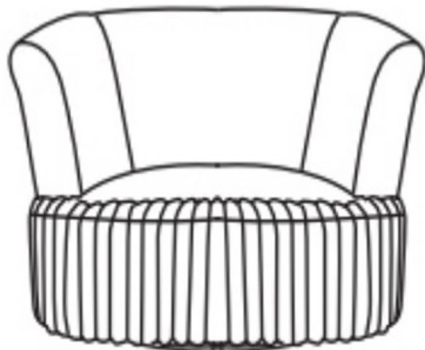


step 4

Place the chair upstraight, put on the chair cover neatly as shown.



Tear off the Velcro strip cover before pasting.

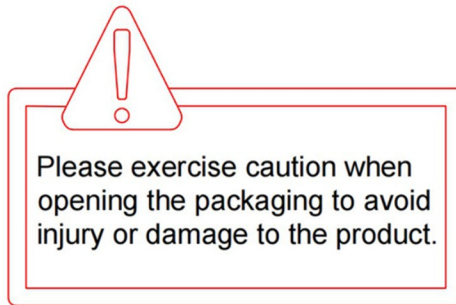
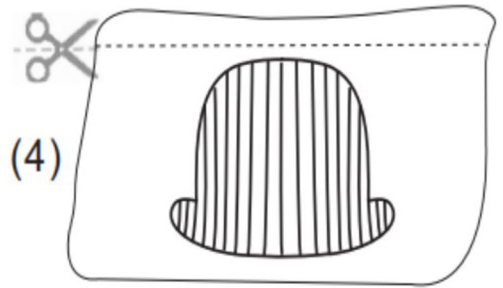
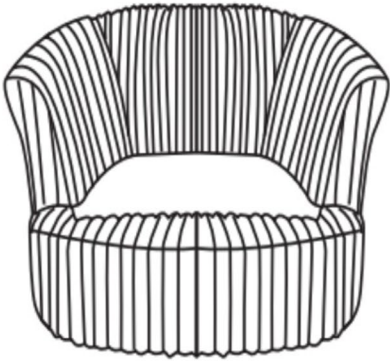


(6)



step 5

Take out the cushion(4) from air compression bag and wait for it to recover, it takes up to 48 hours to be fully recovered, you may gently slap on it to speed up the process.



step 6

Place the pillows on the seat, the assembly is complete.

