

# **VEVOR<sup>®</sup>**

**TOUGH TOOLS, HALF PRICE**

Technical Support and E-Warranty Certificate [www.vevor.com/support](http://www.vevor.com/support)

## **SS-9122 Wine Cabinet User manual**

We continue to be committed to provide you tools with competitive price.

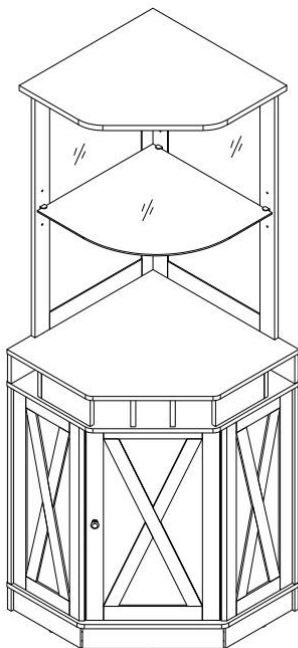
"Save Half", "Half Price" or any other similar expressions used by us only represents an estimate of savings you might benefit from buying certain tools with us compared to the major top brands and does not necessarily mean to cover all categories of tools offered by us. You are kindly reminded to verify carefully when you are placing an order with us if you are actually saving half in comparison with the top major brands.

# VEVOR<sup>®</sup>

TOUGH TOOLS, HALF PRICE

*SS-9122 Wine Cabinet*

Model: SS-9122



## NEED HELP? CONTACT US!

Have product questions? Need technical support? Please feel free to contact us:

✉ [CustomerService@vevor.com](mailto:CustomerService@vevor.com)

This is the original instruction, please read all manual instructions carefully before operating. VEVOR reserves a clear interpretation of our user manual. The appearance of the product shall be subject to the product you received. Please forgive us that we won't inform you again if there are any technology or software updates on our product.

## Technical Specifications

Weight Capacity of DesktopCenter:80pound (36.3kg)

Weight Capacity of Glass barrier:20 pound (9.1kg)

Weight Capacity of Shelf:50 pound (22.7kg)






Net Weight : 50.9Kg ±3%

Gross Weight: 53.6Kg ±3%

Product Size: 600\*600\*1840mm ±5mm

Carton Size: 1025\*690\*215mm ±5mm

## SAFETY

|  |                              |   |                    |
|--|------------------------------|---|--------------------|
|  | Read the instruction manual. |  | Caution / Warning. |
|  | Note / Remark.               |  | wear gloves        |
|  | wear eye protectors          |   |                    |



**WARNING! Read and understand all instructions before using this Wine Cabinet.**

**The operator must follow basic precautions to reduce the risk of personal injury and/or damage to the equipment.**

**Keep this manual for safety warnings, precautions, operating or inspection and maintenance instructions.**

Please familiarize yourself with the hazard notices found in this manual. A notice is an alert that there is a possibility of property damage, injury or death if certain instructions are not followed.

**WARNING! DO NOT** let comfort or familiarity with product (gained from repeated use) replace strict adherence to the tool safety rules. If you use this tool unsafely or incorrectly, you can suffer serious personal injury.



### Assembly precautions

- 1.Assemble only according to these instructions. Improper assembly can create hazards.
2. Wear ANSI-approved safety goggles and heavy-duty work gloves during assembly.
- 3.Keep assembly area clean and well lit.
- 4.Keep bystanders out of the area during assembly.
- 5.Do not assemble when tired or when under the influence of alcohol, drugs or medication.

6. Weight capacity and other product capabilities apply to properly and completely assembled product only.

7. Assemble on a flat, level, hard and smooth surface capable of safely supporting a fully loaded Wine Cabinet.



**Use precautions**

**TO PREVENT SERIOUS INJURY AND DEATH FROM TIPPING:**

**1. DO NOT SIT, STAND OR CLIMB ON THIS ITEM.**

2. This product is not a toy nor a toy chest. Do not allow children to play with or near this item.

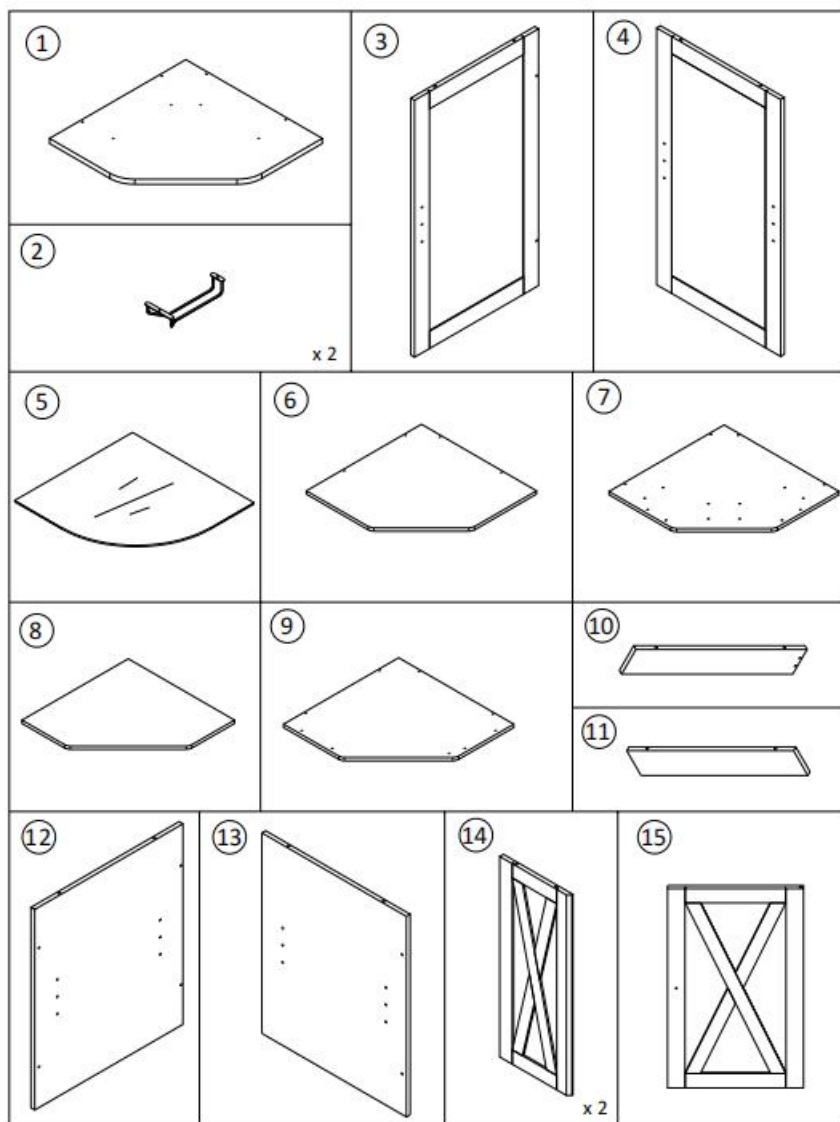
3. Empty, close, and lock Wine Cabinet before moving.

4. Use only on a flat, level, hard and smooth surface capable of safely supporting a fully loaded Chest.

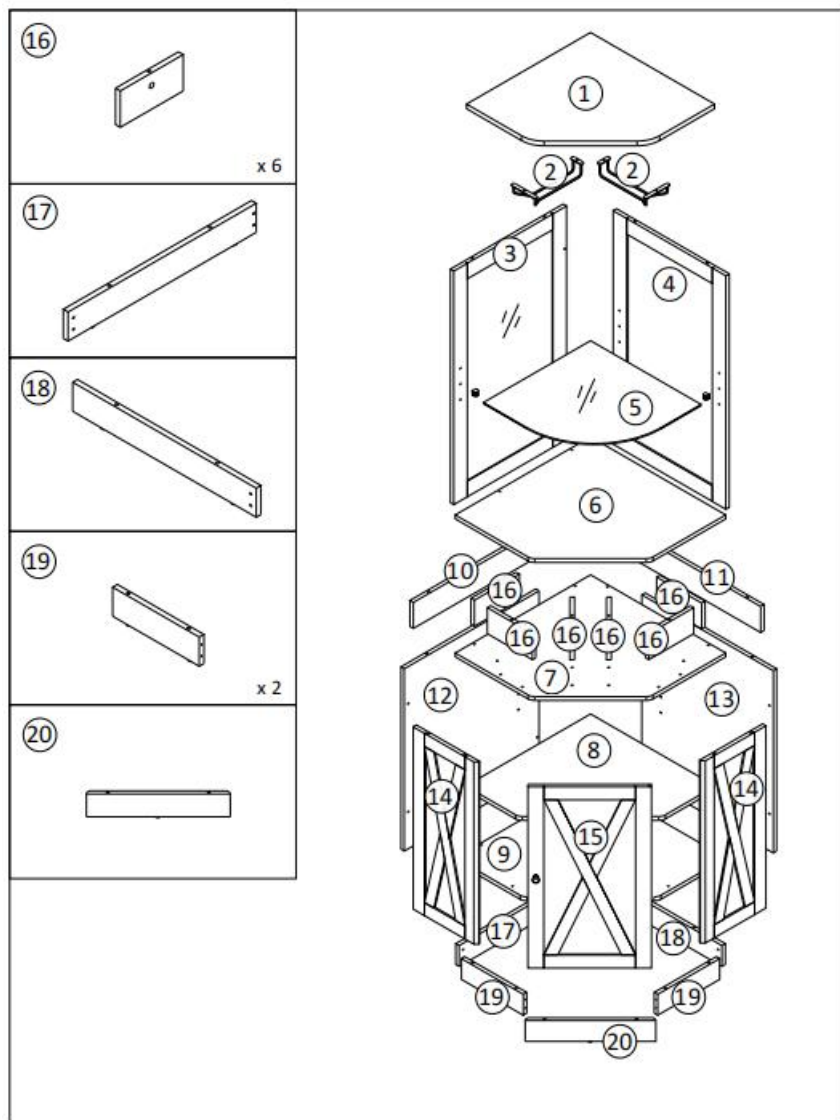
5. Use as intended only.
















6. Inspect before every use; do not use if parts are loose or damaged.

# PARTS



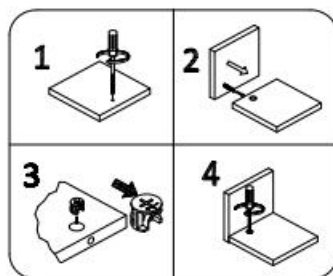
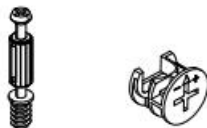
# EXPLODED VIEW



|  |   |  |   |  |
|--|---|--|---|--|
| A M5x42<br><br>44 PCS | B Ø15x12<br><br>44 PCS | C M7x50<br><br>30 PCS | D M3.5x14<br><br>6 PCS | E Ø5<br><br>6 PCS |
| F M4x18<br><br>1 PCS  | G<br><br>1 PCS         | H<br><br>2 PCS        | I Ø5<br><br>3 PCS      | J<br><br>2 PCS    |
| K<br><br>2 PCS        | LM3.5x25<br><br>2 PCS  | M<br><br>1 SET        | 4#<br><br>1 PCS   | <br>1 PCS         |

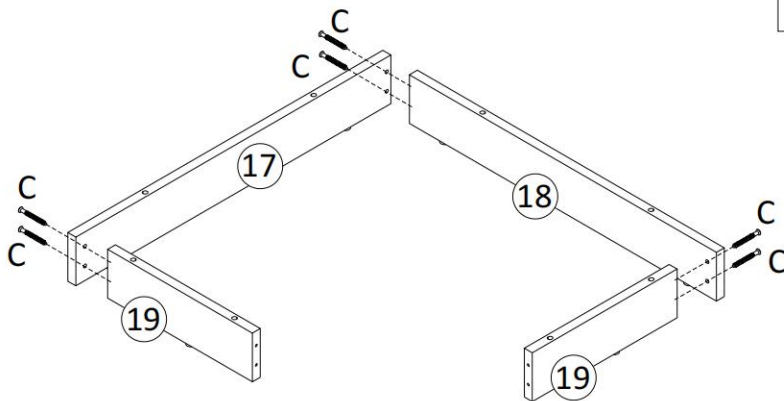
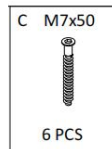
### Cam Lock Fastening System

This Cam Lock Fastening System will be used throughout the assembly process

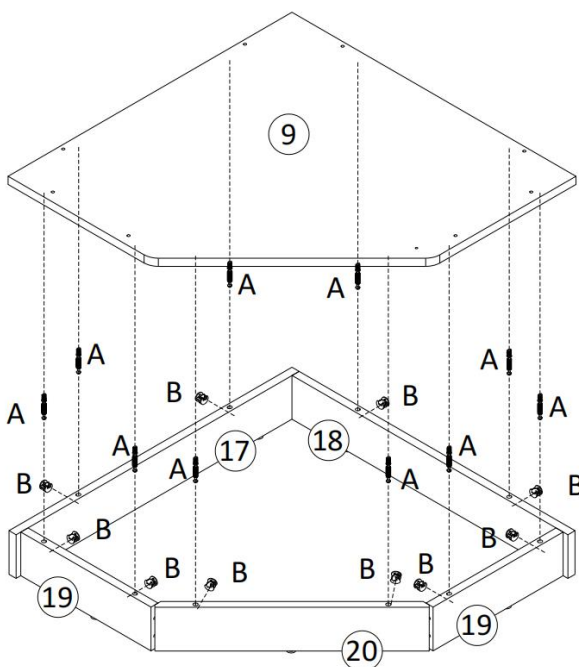
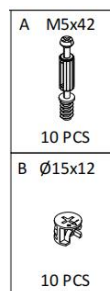


# ASSEMBLY

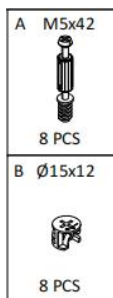
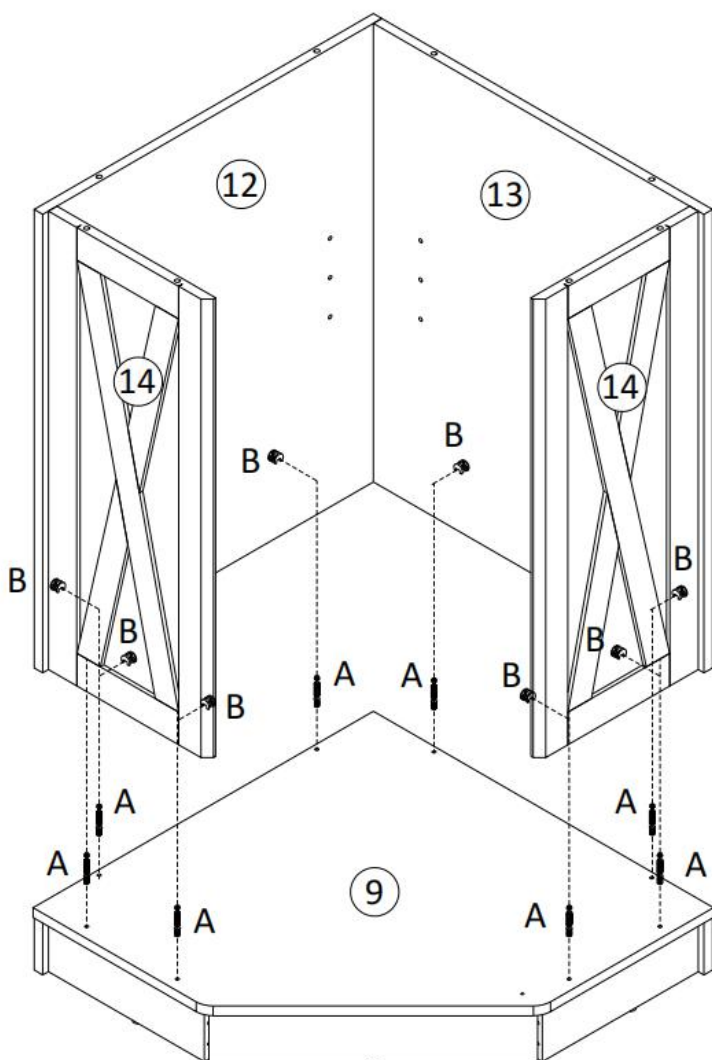
## STEP1:



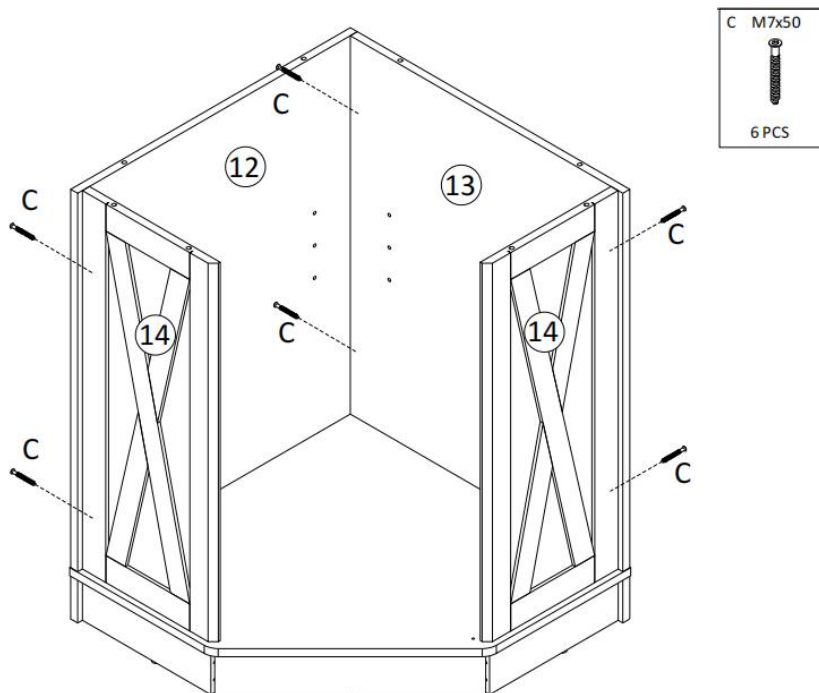
## STEP2:



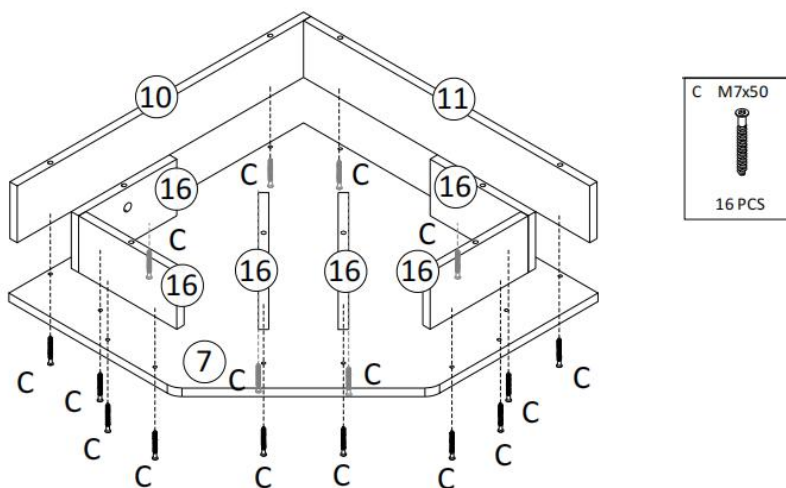
### STEP3:



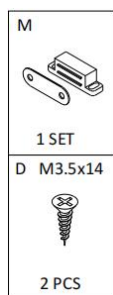
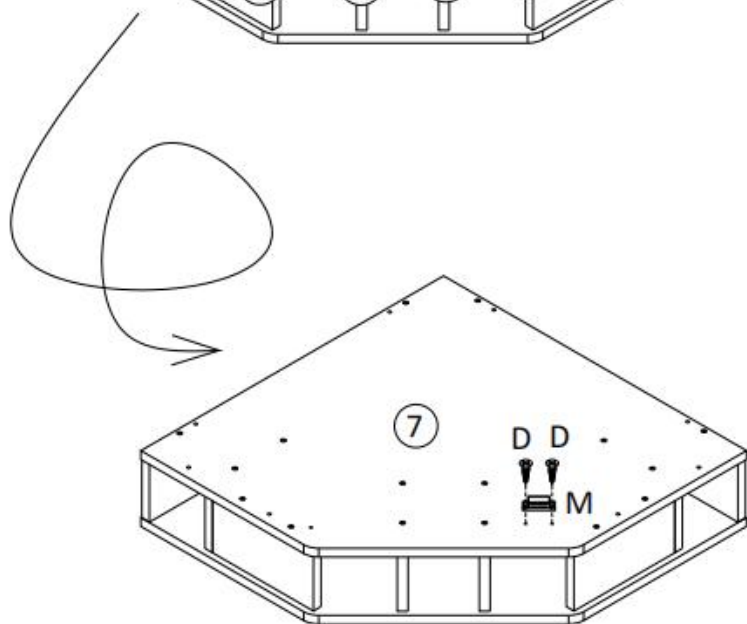
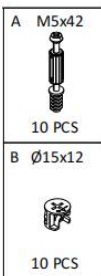
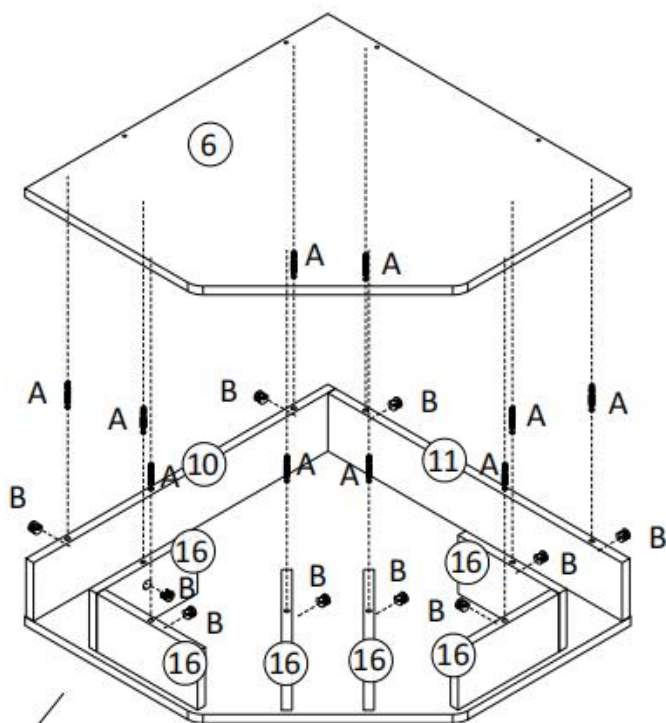
## STEP4:



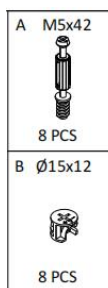
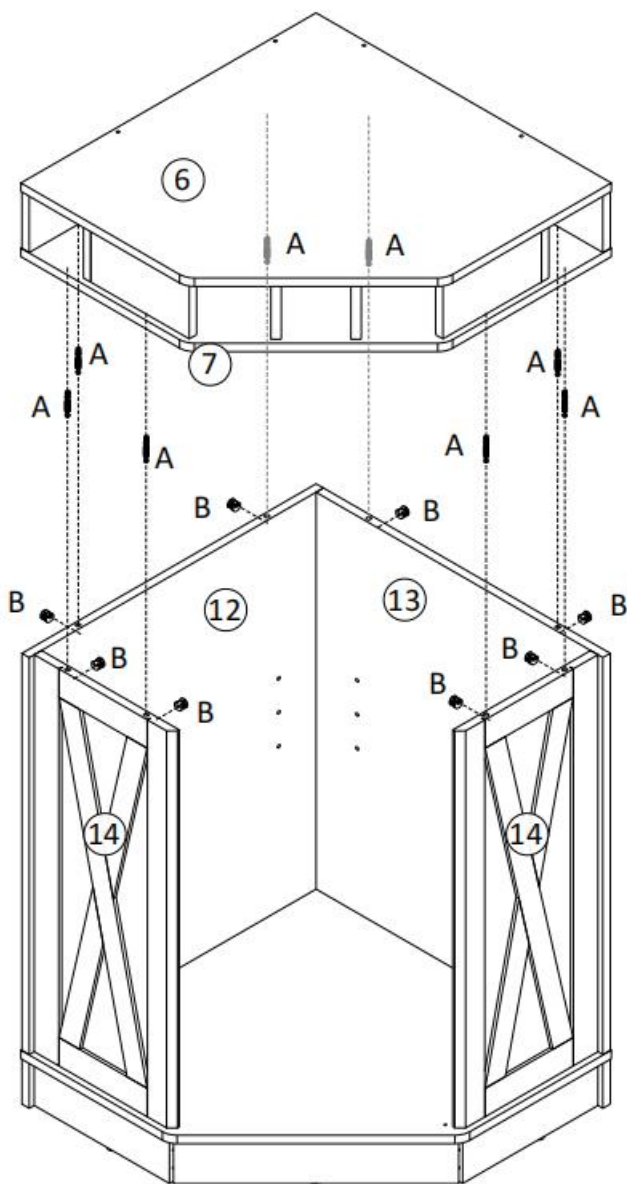
## STEP5:



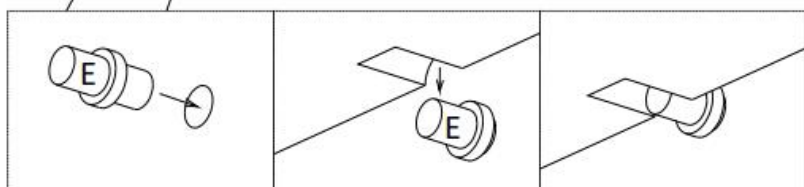
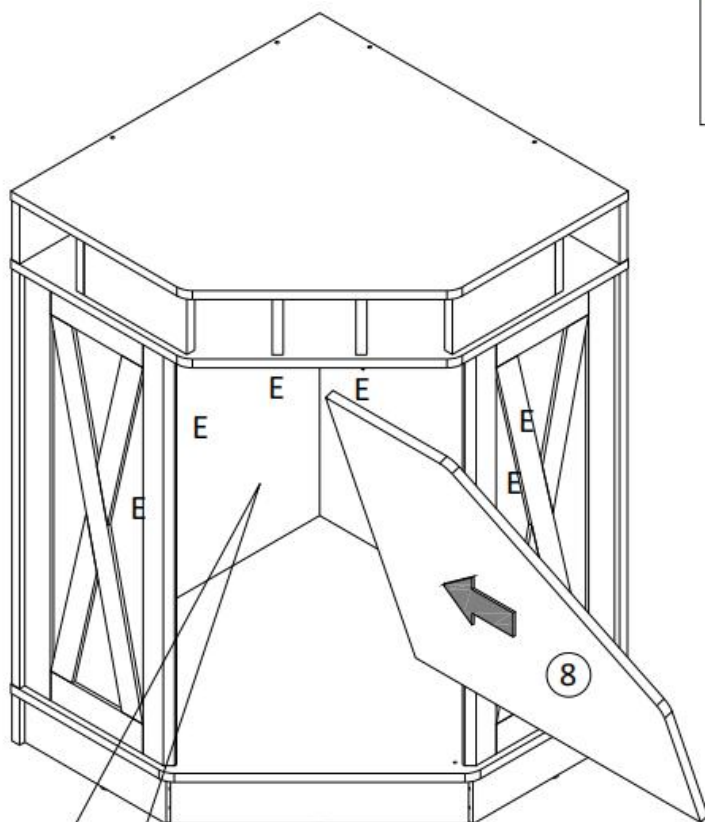
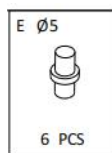
## STEP6:



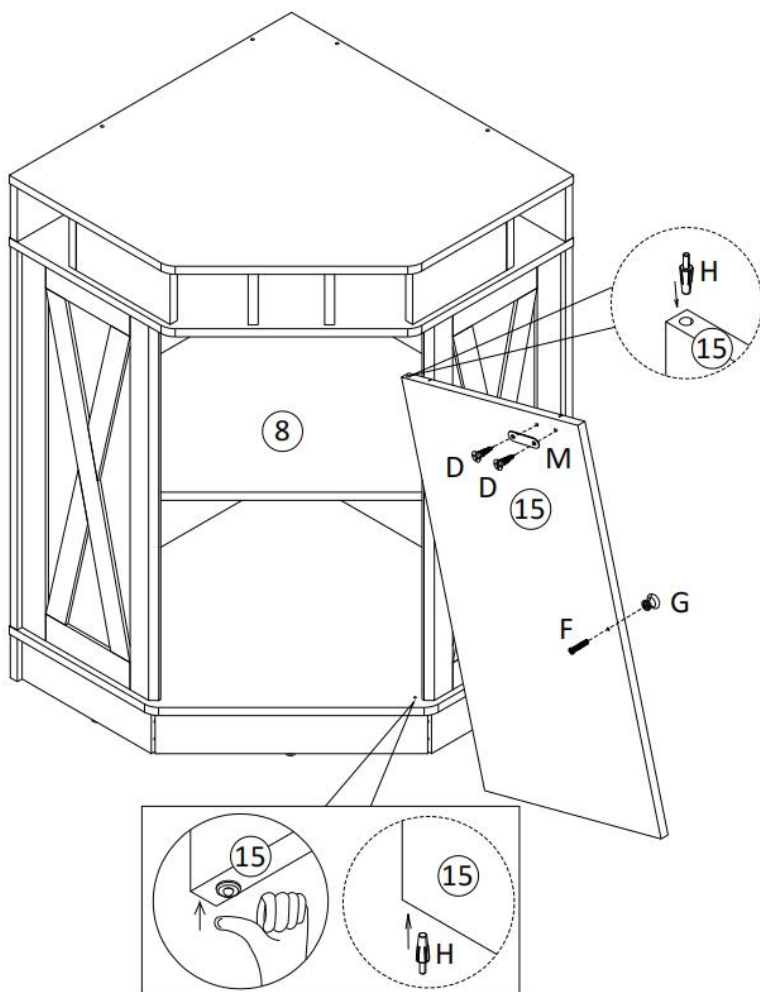
# STEP7:








## STEP8:

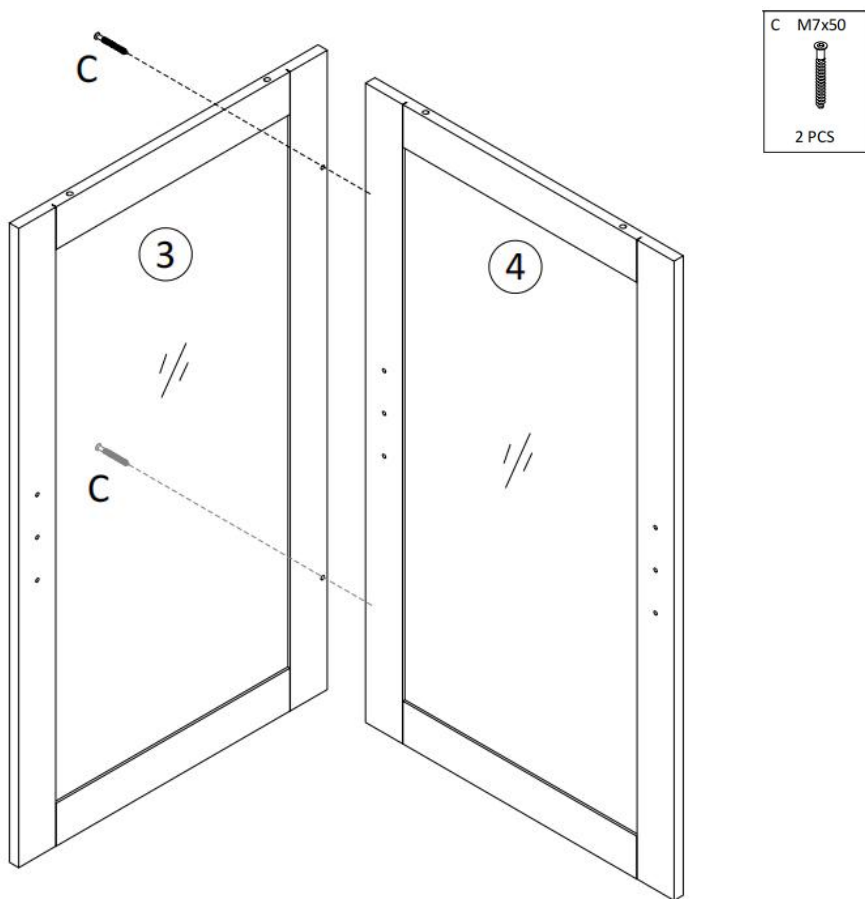


## STEP9:

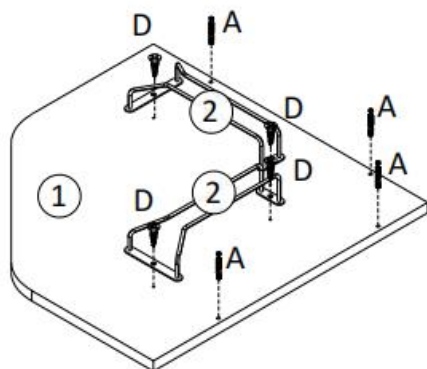





|           |  |
|-----------|--|
| F M4x18   |   |
| 1 PCS     |  |
| G         |  |
| 1 PCS     |  |
| H         |   |
| 2 PCS     |  |
| M         |  |
| 1 SET     |  |
| D M3.5x14 |   |
| 2 PCS     |  |

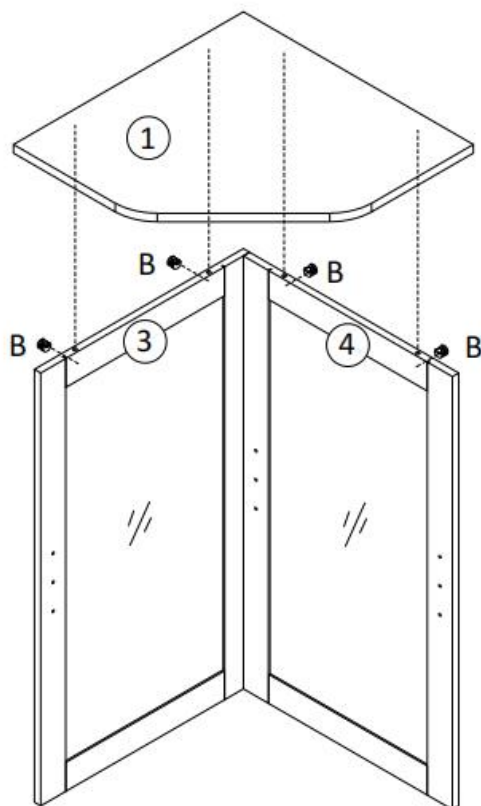
## STEP10:



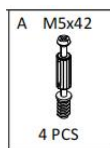
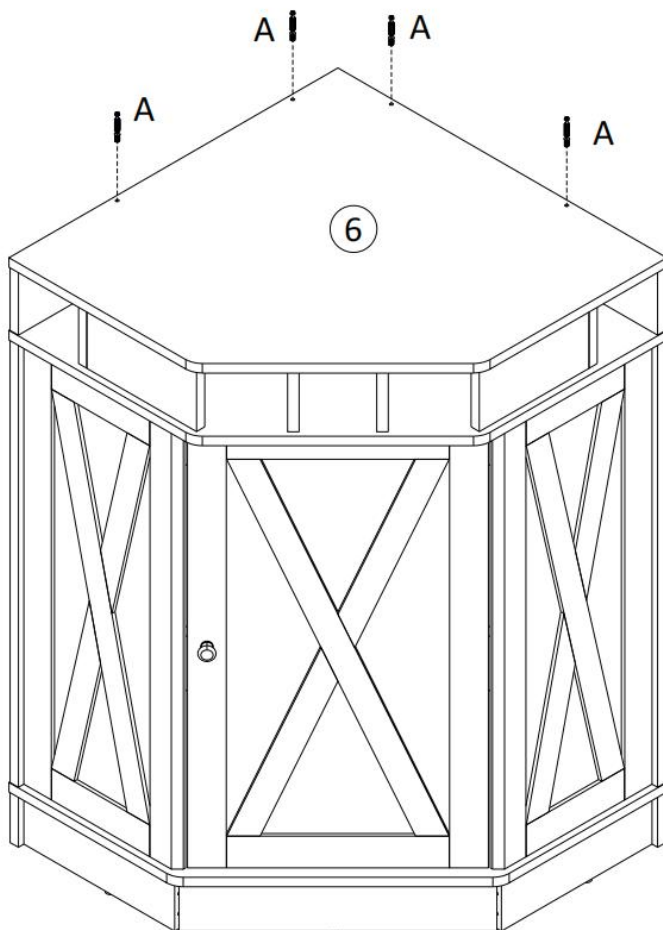
# STEP11:



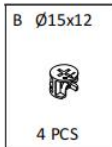
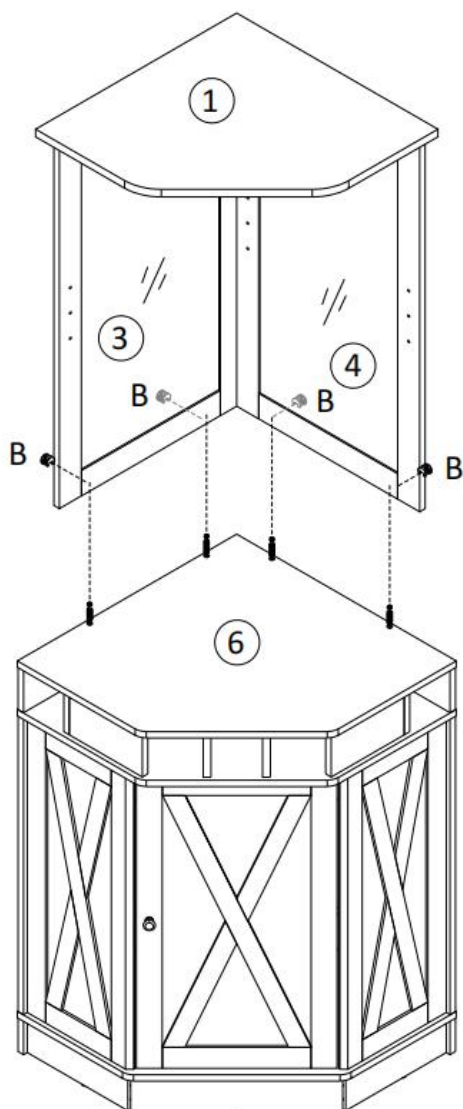
|   |         |
|---|---------|
| D   | M3.5x14 |
|  | 4 PCS   |
| A   | M5x42   |
|  | 4 PCS   |
| B   | Ø15x12  |
|  | 4 PCS   |



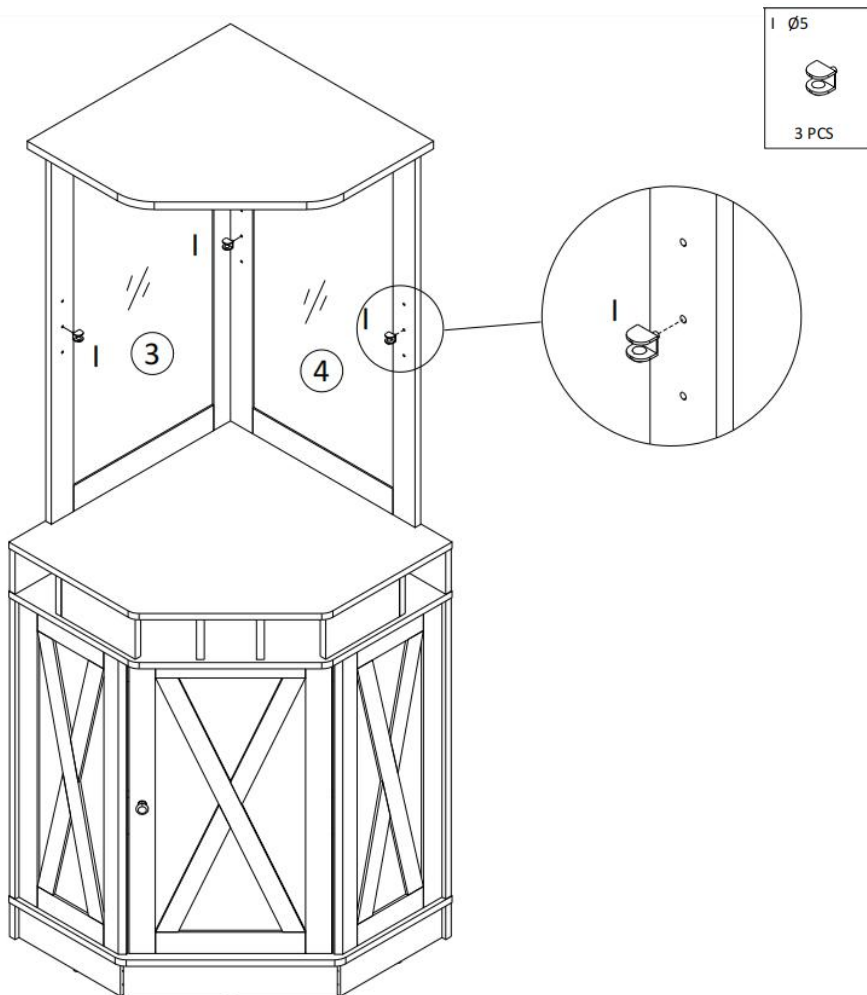
**STEP12:**



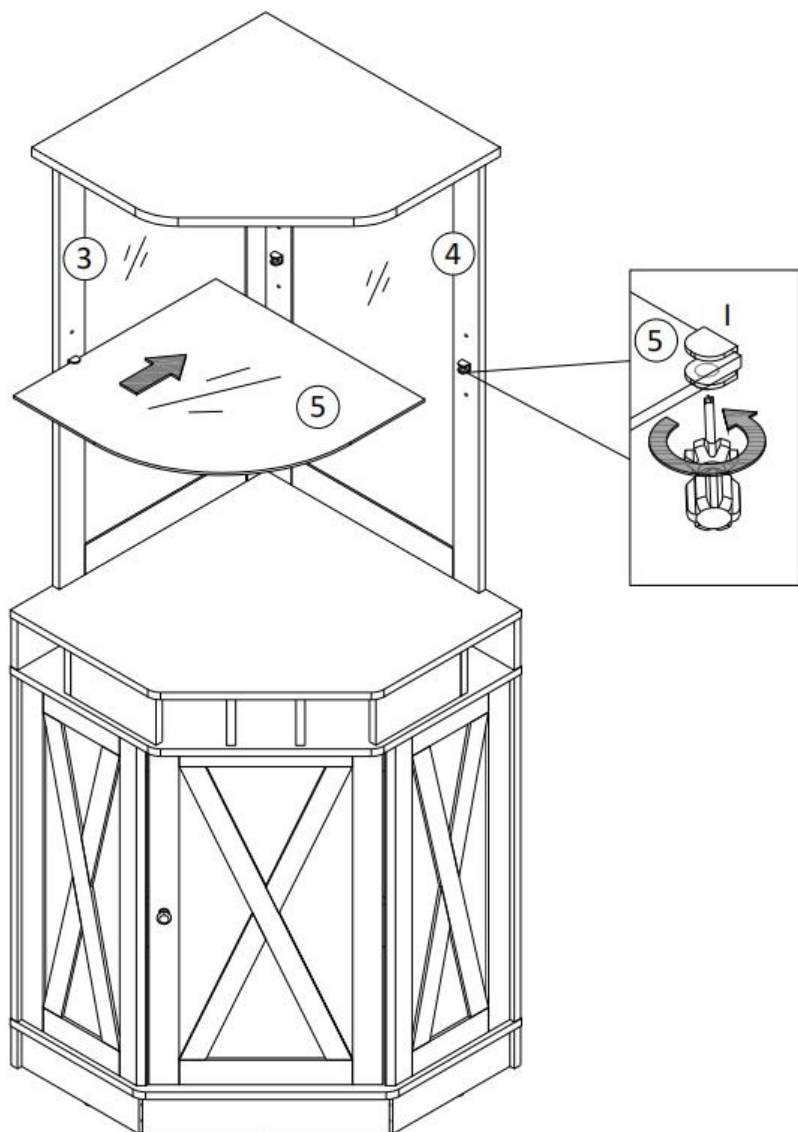
## STEP13:



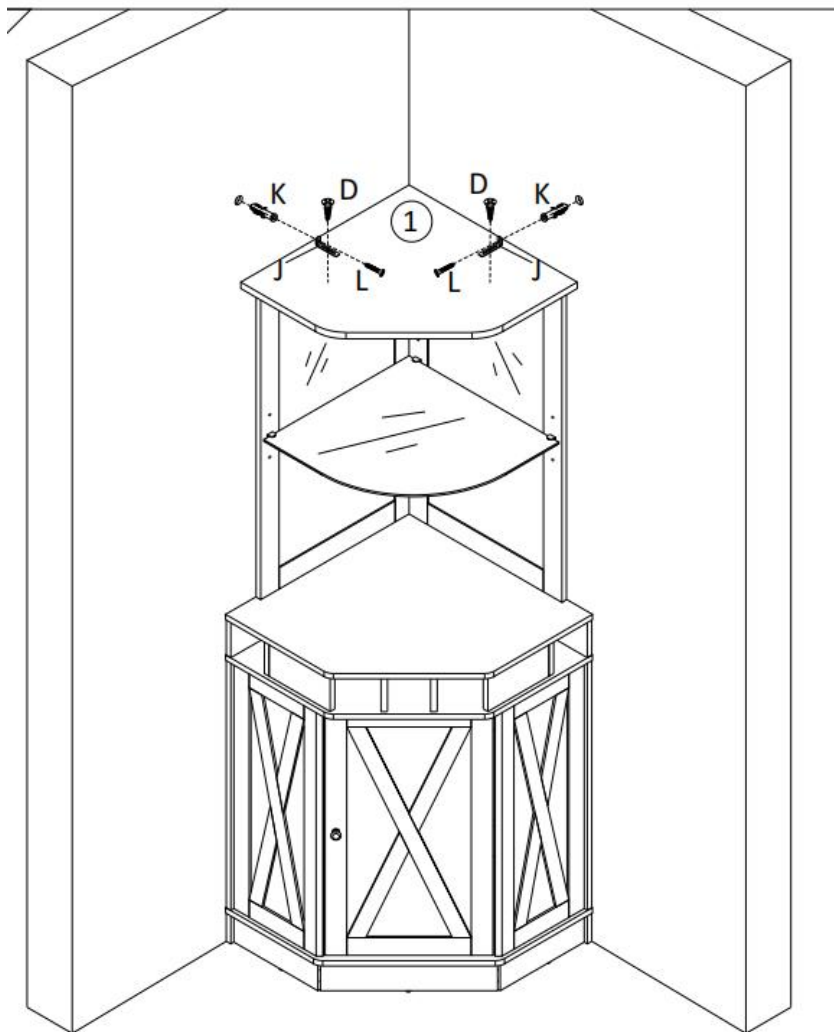
# STEP14:



**STEP15:**



**STEP16:**



## **MAINTENANCE/ Service**

Have your Wine Cabinet serviced by a qualified repair person using only identical replacement parts.

This will ensure that the safety of the Wine Cabinet is maintained.

A dusty, damp or corrosive environment can cause damage to the Wine Cabinet

In order to prevent any possible failure or fault of this Wine Cabinet, clean the dust regularly with clean and dry cleaning cloth.

Please note that: Lack of maintenance may result in warranty cancellation.

The guarantee of this Wine Cabinet will be void if the Wine Cabinet has been modified, or you attempt to take apart Wine Cabinet without the consent of an authorized representative of the manufacturer.

## **Disposal**

This products should be disposed of in accordance with local regulations.

If you are unsure how to proceed, contact your local authority.

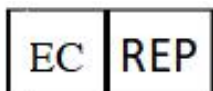
Only qualified technicians are authorized to undertake the repair of SS-9122 Wine Cabinet.

For your safety , please observe all safety notes, precautions, and details in this manual.

## **Warranty**

Your VEVOR SS-9122 Wine Cabinet is warranted against defects in materials and workmanship for a 12 month period from the date of purchase. Faulty goods will be repaired or replaced at VEVOR's discretion.

Address: Baoshanqu Shuangchenglu 803long 11hao 1602A-1609shi Shanghai



**SHUNSHUN GmbH**  
Römeräcker 9 Z2021, 76351  
Linkenheim-Hochstetten, Germany



**Poole das Group Ltd**  
Unit 5, Albert Edward House,  
The Pavilions, Preston

Imported to AUS: SIHAO PTY LTD, 1 ROKEVA STREETEASTWOOD NSW 2122  
Australia

Imported to USA: VEVOR STORE INC, 9448 RINCHMOND PL #E  
RANCHO CUCAMONGA, California, 91730 United States of America

# **VEVOR<sup>®</sup>**

**TOUGH TOOLS, HALF PRICE**

TechnicalSupport and E-Warranty Certificate  
<https://www.vevor.com/support>