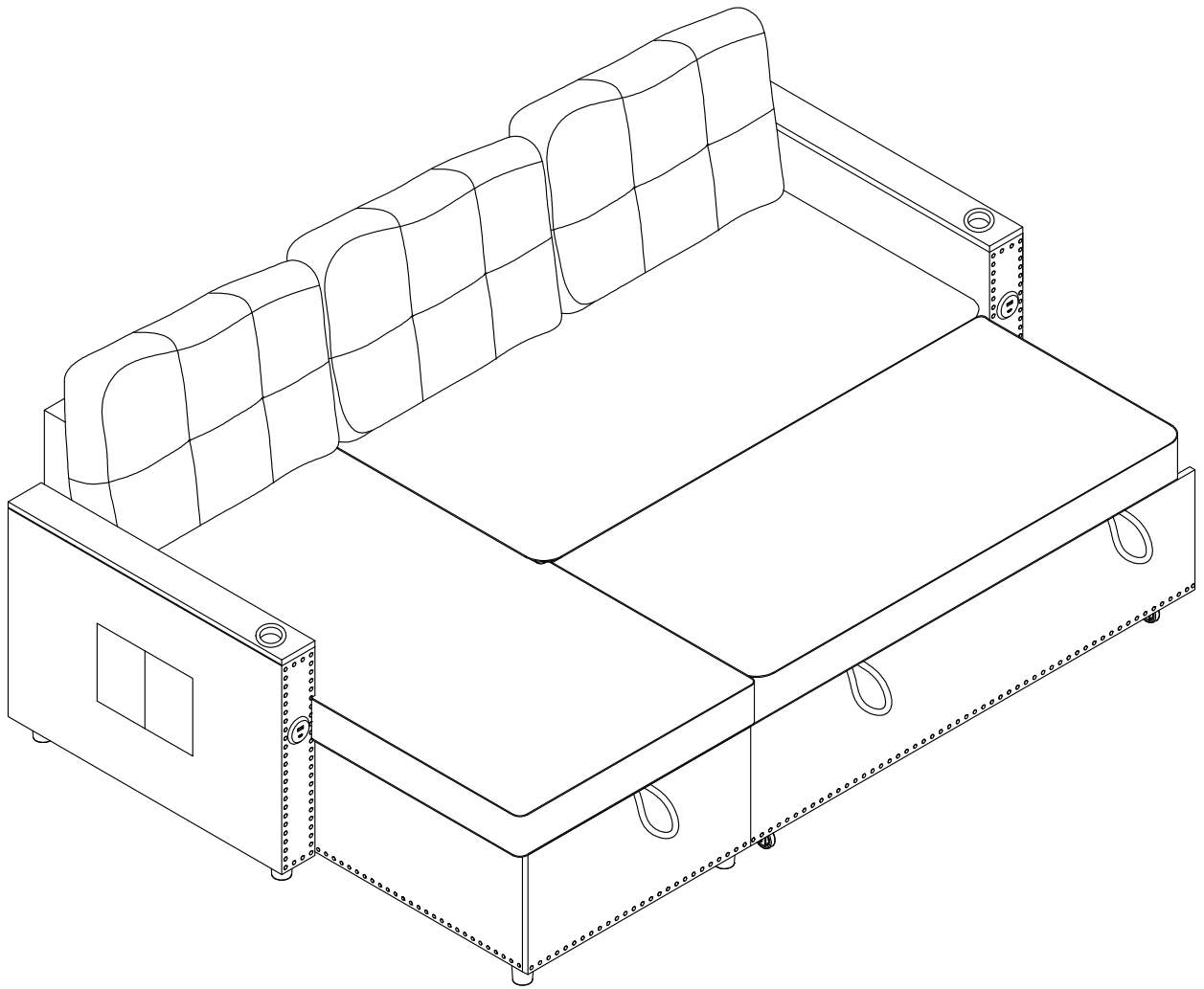


Instruction Manual



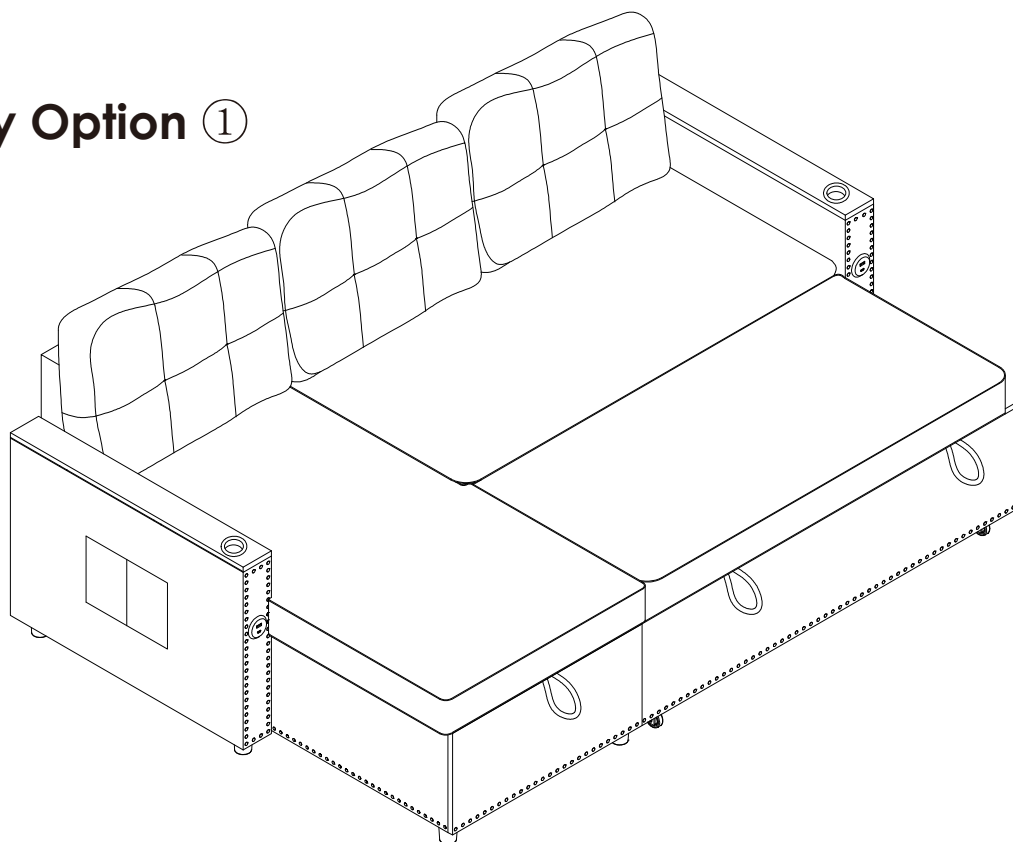
Sofa

Please read the assembly instructions carefully.

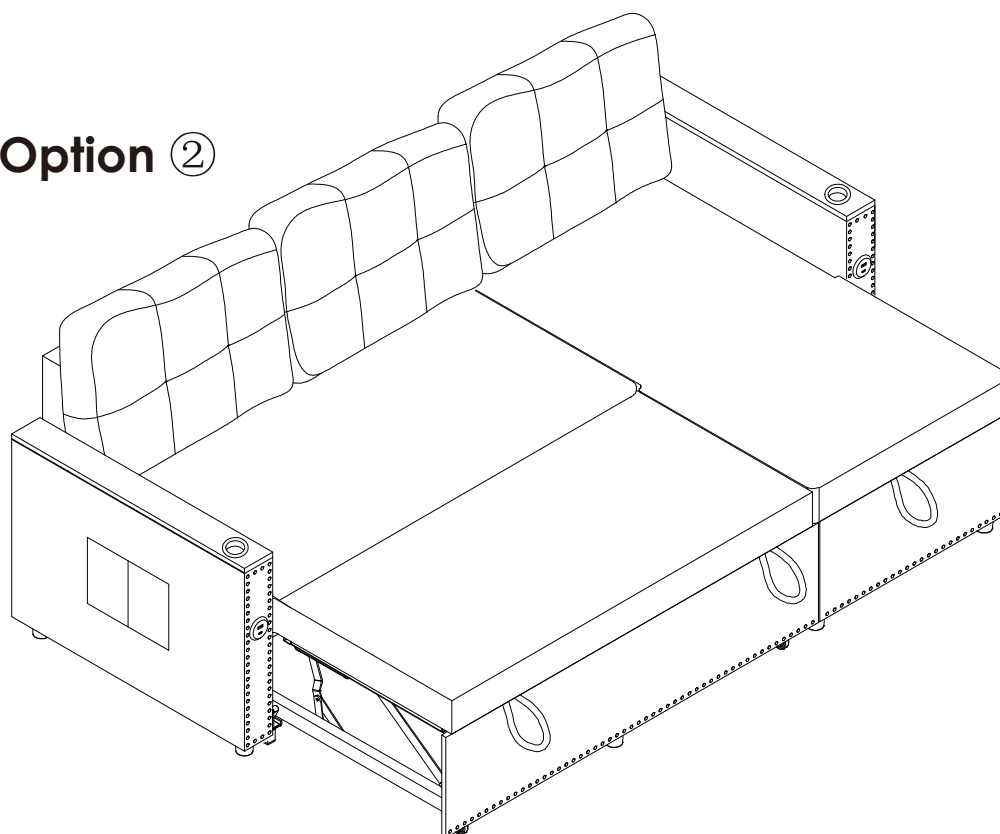
There are two sofa types: ① and ②

You can choose ① or ② to assemble according to your needs.

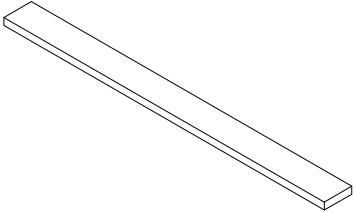
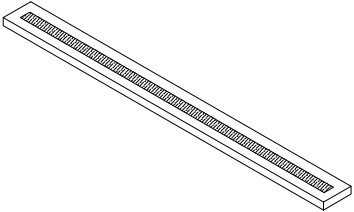
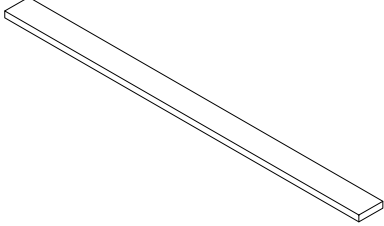
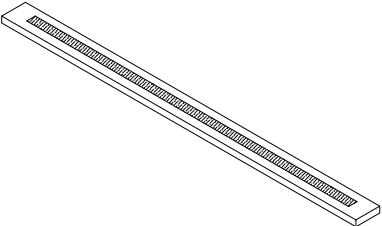
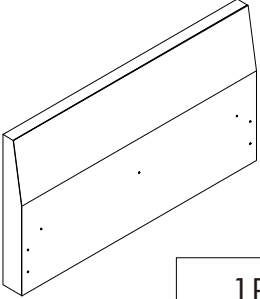
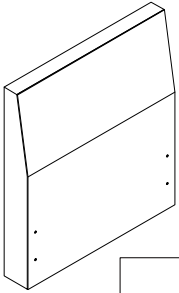
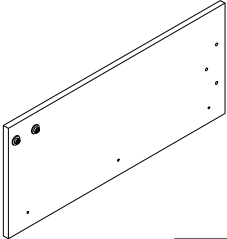
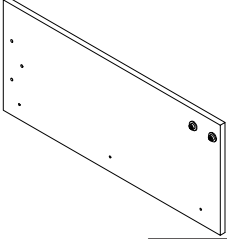
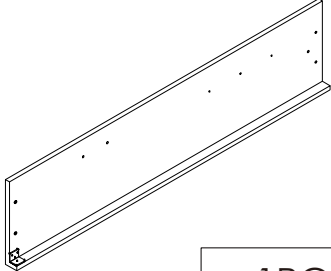
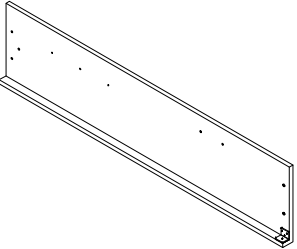
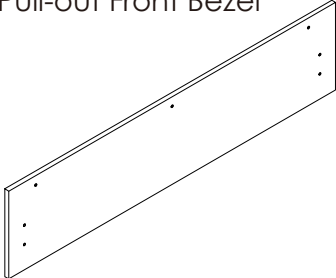
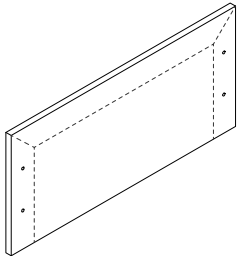
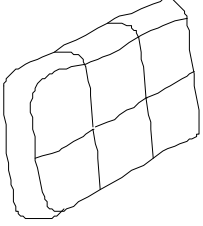
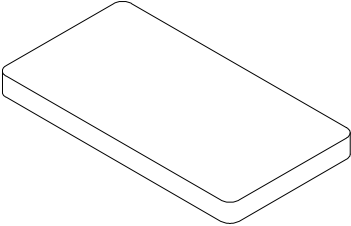
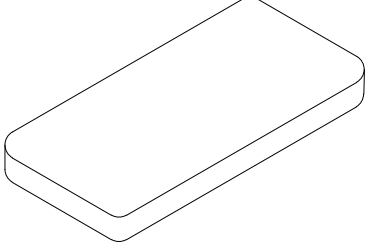
Assembly Option ①



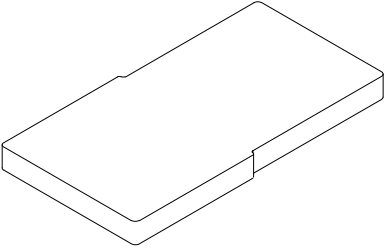
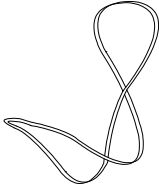
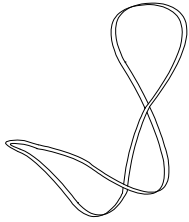
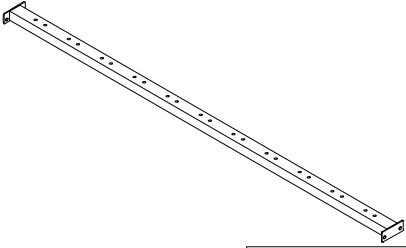
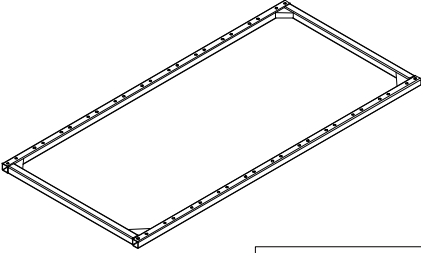
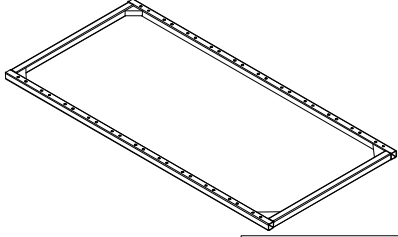
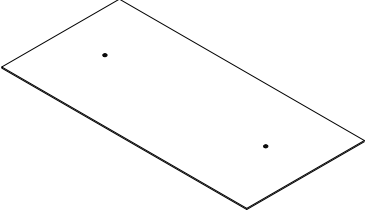
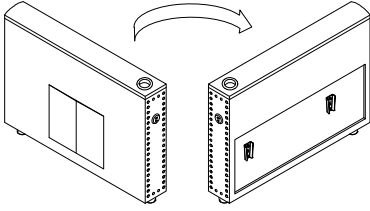
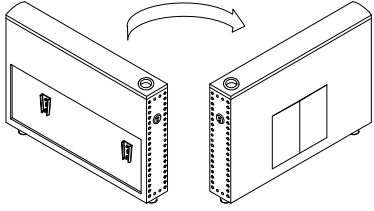
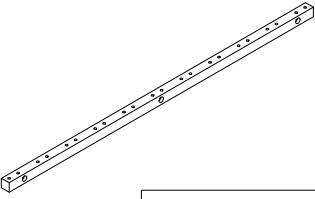
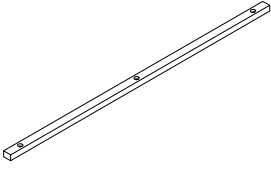
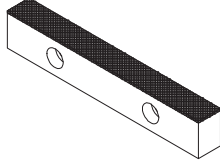


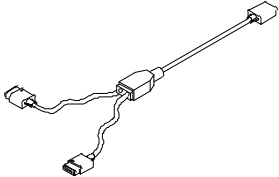
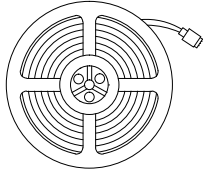
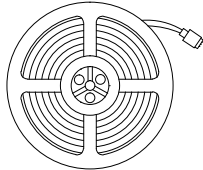
Assembly Option ②



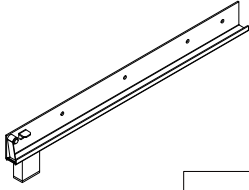
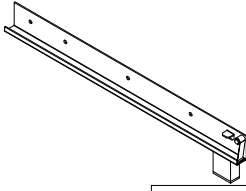
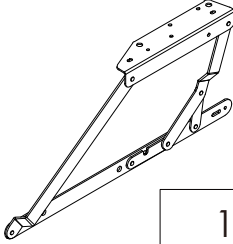
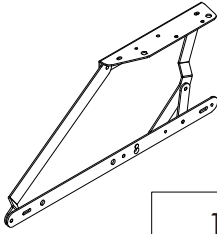
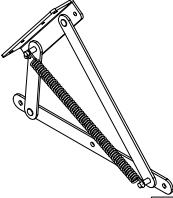
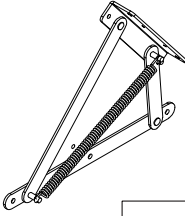
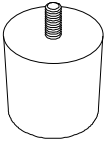
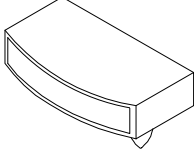
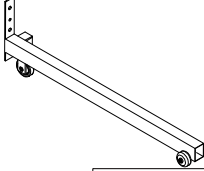
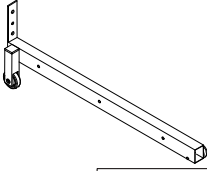
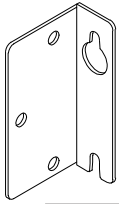
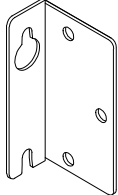
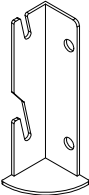
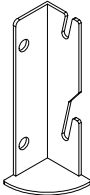
Main Structure Accessories

<p>A Short wood slats</p>  <p>18PCS</p>	<p>A1 Short wood slats with verlco</p>  <p>4PCS</p>	<p>B Long Slats</p>  <p>9PCS</p>
<p>B1 Long Slats with verlco</p>  <p>2PCS</p>	<p>C Two-Seat Back Frame</p>  <p>1PC</p>	<p>C1 Back frame of chaise</p>  <p>1PC</p>
<p>D Left seat frame board of 2 seater</p>  <p>1PC</p>	<p>D1 Right seat frame board of 2 seater</p>  <p>1PC</p>	<p>D2 Chaise Left Side Board</p>  <p>1PC</p>
<p>D3 Chaise Right Side Board</p>  <p>1PC</p>	<p>E Pull-out Front Bezel</p>  <p>1PC</p>	<p>E1 Front board of chaise</p>  <p>1PC</p>
<p>F Back Cushion</p>  <p>3PCS</p>	<p>F1 Two-Seat Sitting Pad</p>  <p>1PC</p>	<p>F2 Pull-out Bed Sitting Pad</p>  <p>1PC</p>

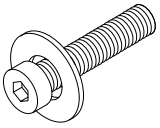
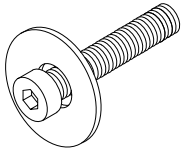

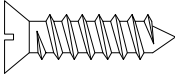
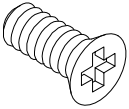
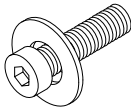
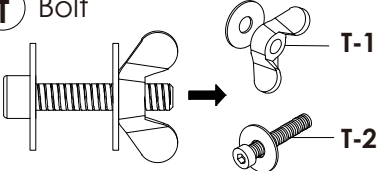
Main Structure Accessories

<p>F3 Chaise Sitting Pad</p>  <p>1PC</p>	<p>F4 Short Rope</p>  <p>short</p> <p>1PC</p>	<p>F4-1 Long Rope</p>  <p>long</p> <p>2PCS</p>	
<p>G Two-Seat Front Brace</p>  <p>1PC</p>	<p>H Pull-out Metal Frame</p>  <p>1PC</p>	<p>H1 Chaise Metal Frame</p>  <p>1PC</p>	
<p>Q Chaise Storage Board</p>  <p>1PC</p>	<p>R1 Left Armrest</p>  <p>1PC</p>	<p>R2 Right Armrest</p>  <p>1PC</p>	
<p>Z Two-Seat Back Support Wood</p>  <p>1PC</p>	<p>Z1 Two-Seat Front Support Wood</p>  <p>1PC</p>	<p>Z2 Chaise Support Wood</p>  <p>2PCS</p>	<p>W2 Remote Control</p>  <p>1PC</p>
<p>X2 Connect Wire</p>  <p>1PC</p>	<p>X3 Y Connect Wire</p>  <p>1PC</p>	<p>X4 Long light bar</p>  <p>1PC</p>	<p>X5 Short light bar</p>  <p>1PC</p>

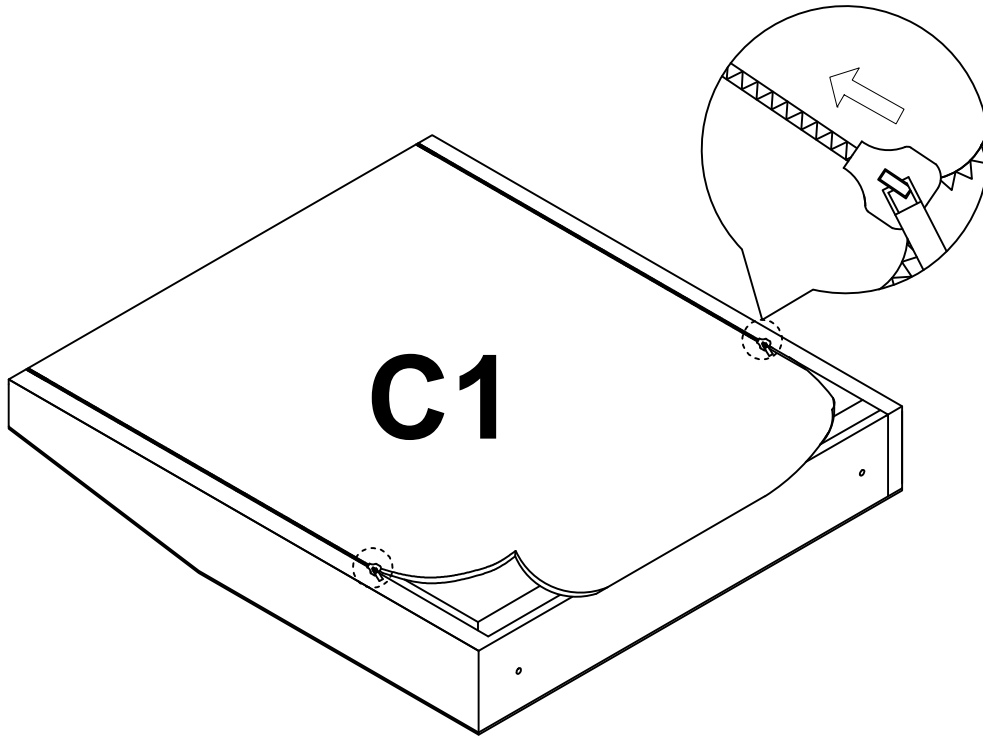
Structural Accessories

<p>J Left metal track of pull-out bed</p>  <p>1PC</p>	<p>J1 Right metal track of pull-out bed</p>  <p>1PC</p>	<p>K Pull-out Left Connector</p>  <p>1PC</p>	
<p>K1 Pull-out Right Connector</p>  <p>1PC</p>	<p>L Chaise Right Connector</p>  <p>1PC</p>	<p>L1 Chaise Left Connector</p>  <p>1PC</p>	
<p>M Sofa Legs</p>  <p>10PCS</p>	<p>O Slats Cap</p>  <p>66+3PCS</p>	<p>S Right wheel tube of pull-out bed</p>  <p>1PC</p>	<p>S1 Left wheel tube of pull-out bed</p>  <p>1PC</p>
<p>W Bracket</p>  <p>2PCS</p>	<p>X Bracket</p>  <p>2PCS</p>	<p>W1 Bracket</p>  <p>1PC</p>	<p>X1 Bracket</p>  <p>1PC</p>

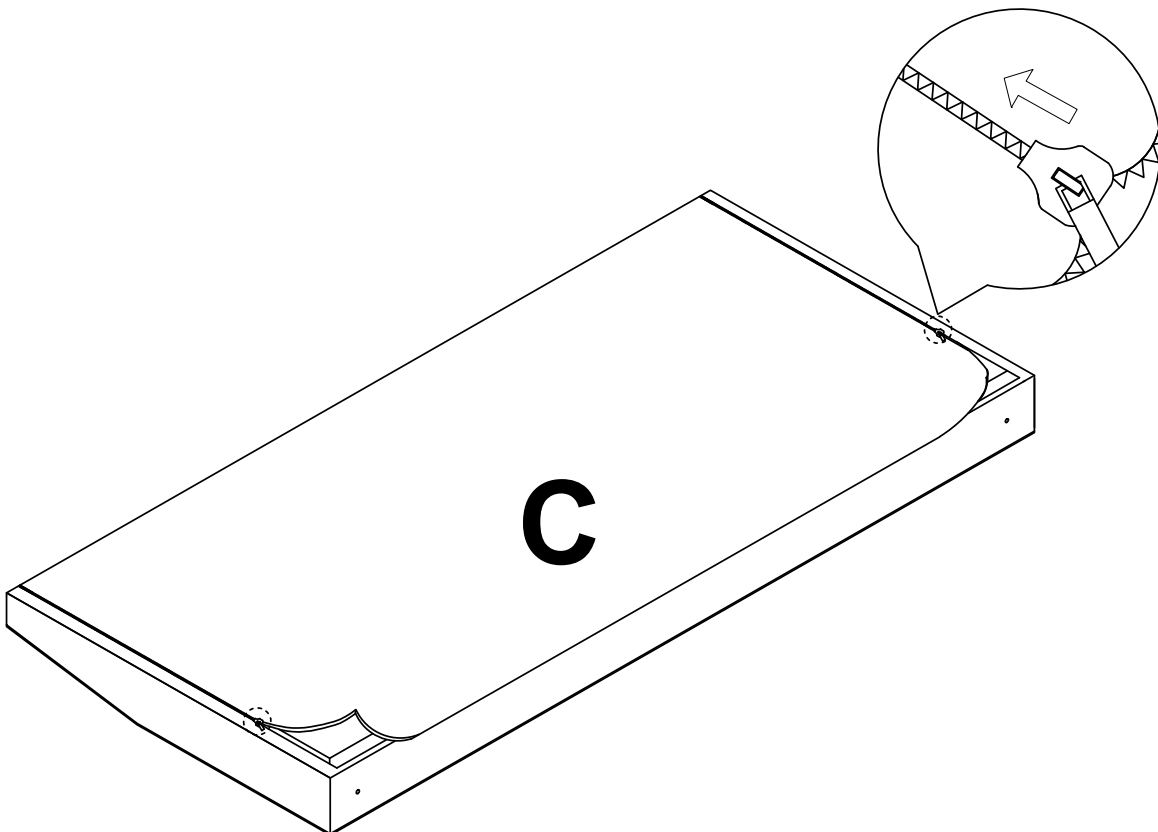
Hardware Parts

<p>N Small gasket</p>  <p>M8×30mm 10+2PCS</p>	<p>N1 Large gasket</p>  <p>M8×45mm 2PCS</p>	<p>P Allen Key</p>  <p>1PC</p>	<p>U Bolt</p>  <p>M5×14mm 8+1PCS</p>
<p>V Bolt</p>  <p>M6×17mm 20+1PCS</p>	<p>Y Bolt</p>  <p>M8×18mm 6PCS</p>	<p>T Bolt</p>  <p>M8×50mm 1SET</p>	

How to find out the hidden parts



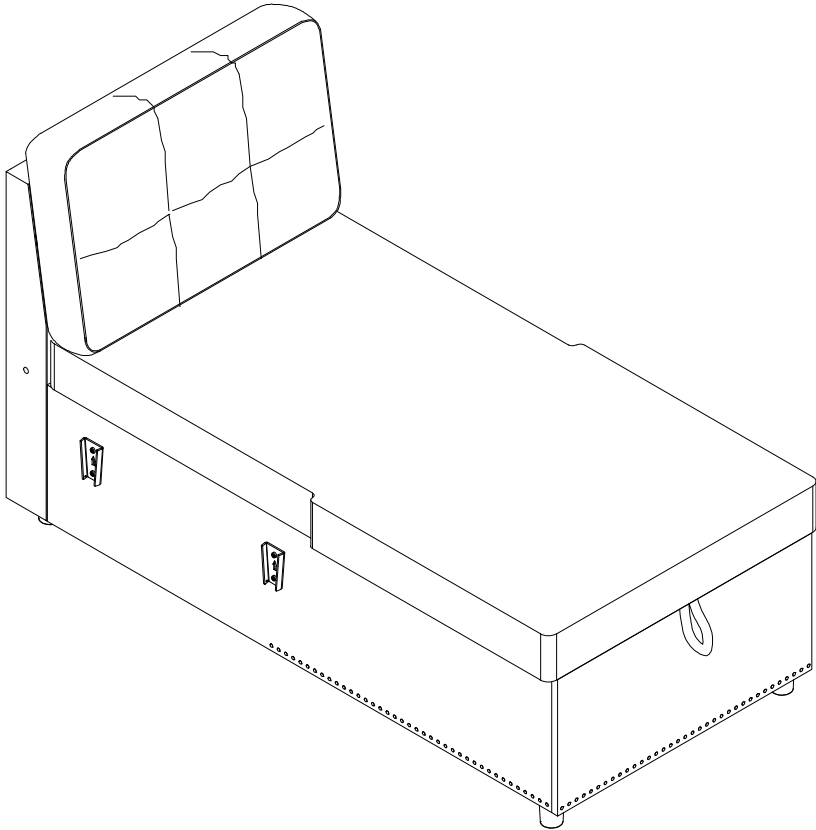
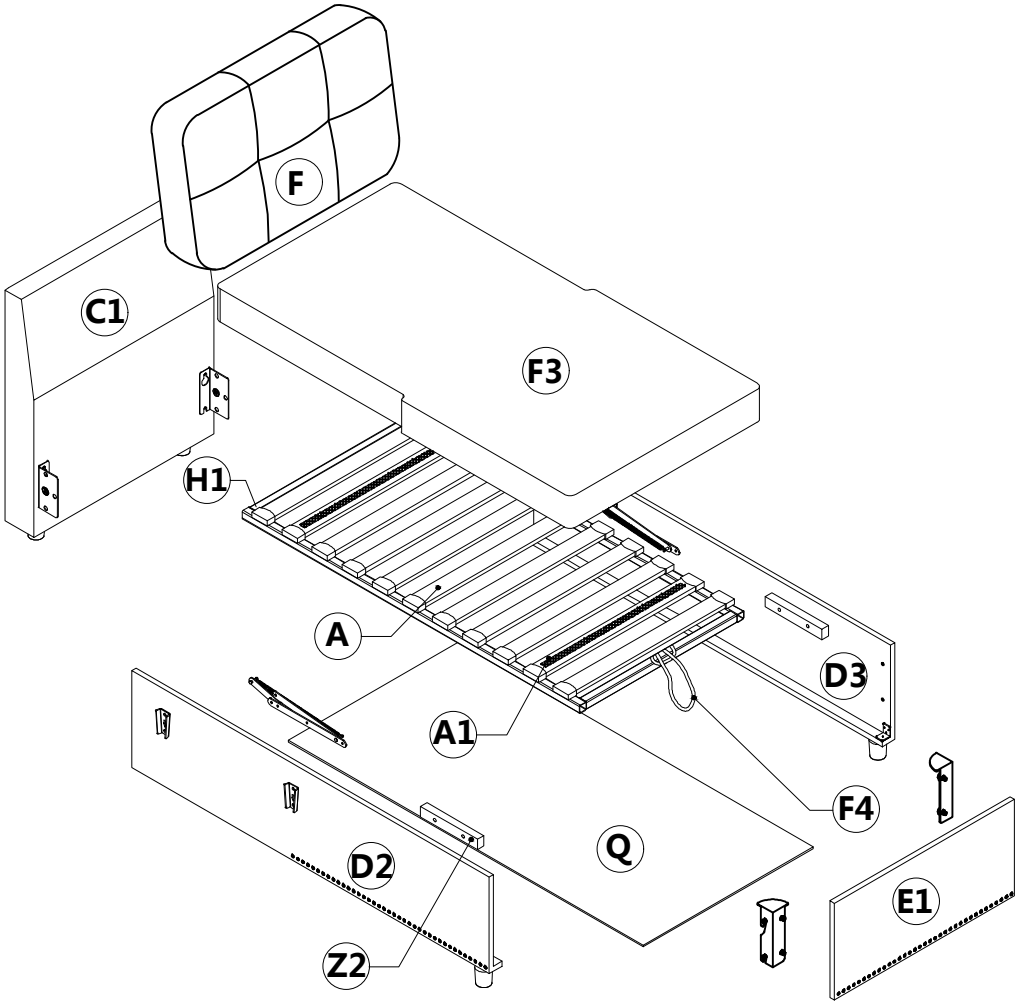
Find out the Part C1, and the back side up, than open the zipper, you can find out the other components.



Find out the Part C, and the back side up, than open the zipper, you can find out the other components.

Main Structure Accessories

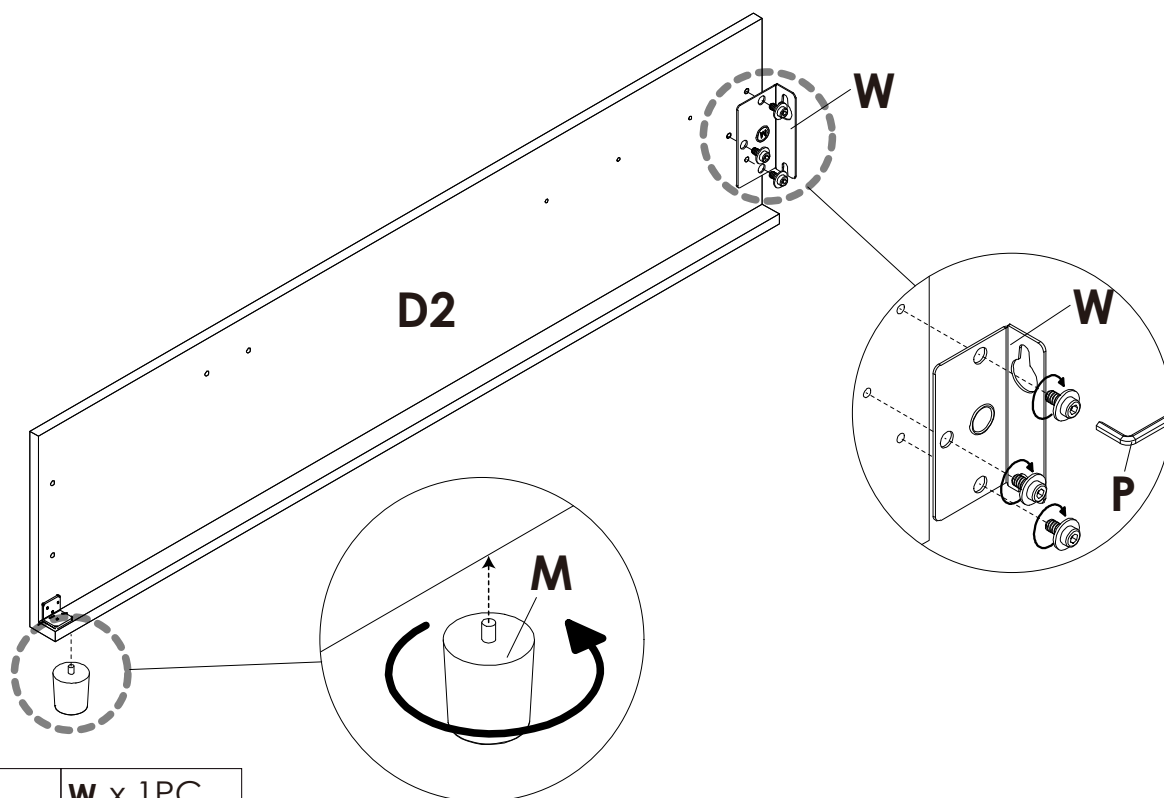
CHAISE





Assembly Steps(EN) / Montageschritte(DE)

STEP 1

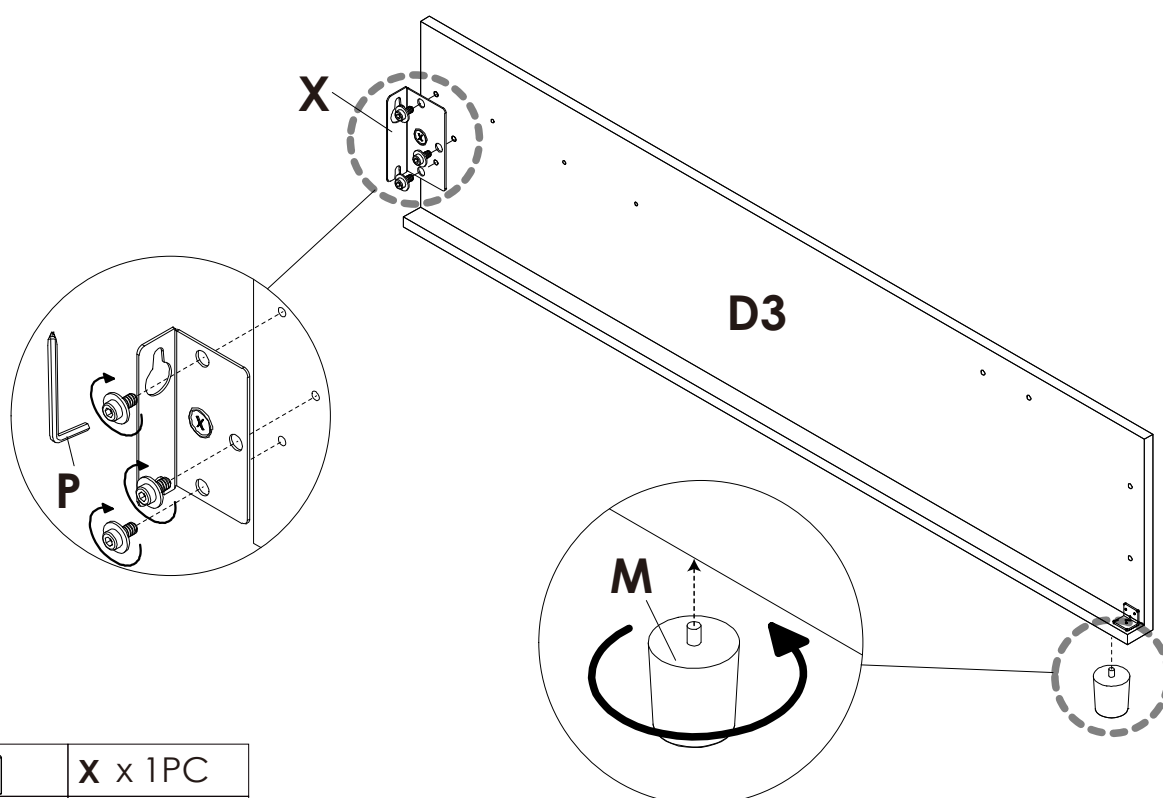
Loosen the screws first, and then lock the hanging piece
Pay attention to the opening up on the side near the foot post





	W x 1PC
	P x 1PC

STEP 2

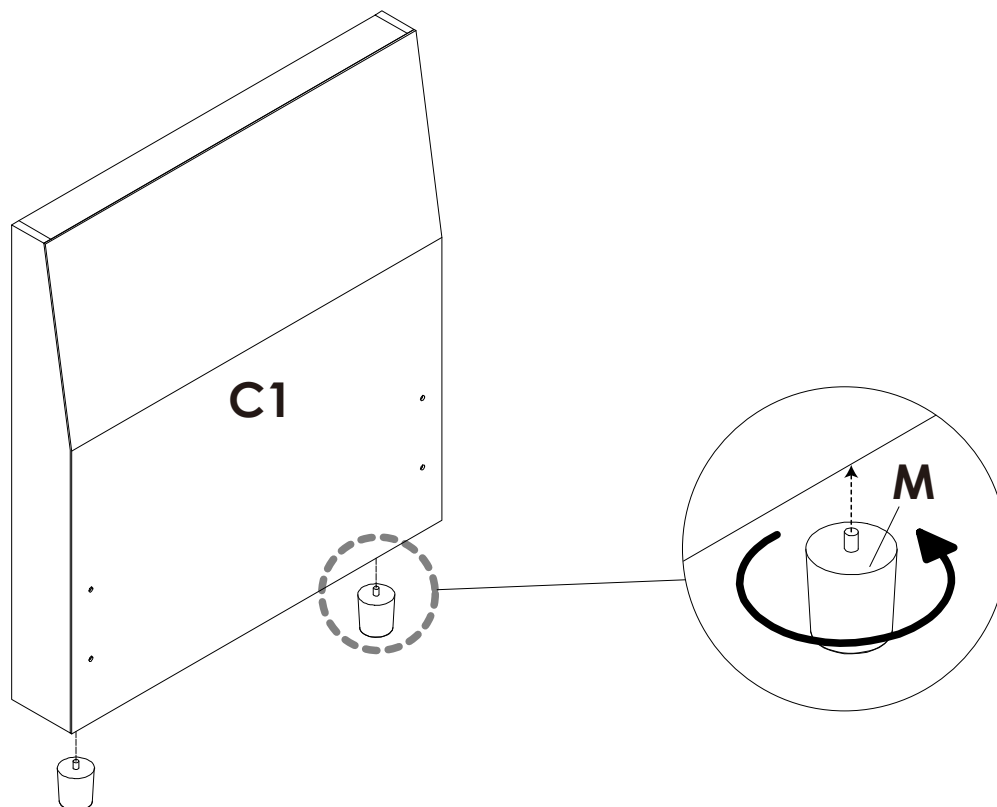
Loosen the screws first, and then lock the hanging piece
Pay attention to the opening up on the side near the foot post



	X x 1PC
	P x 1PC

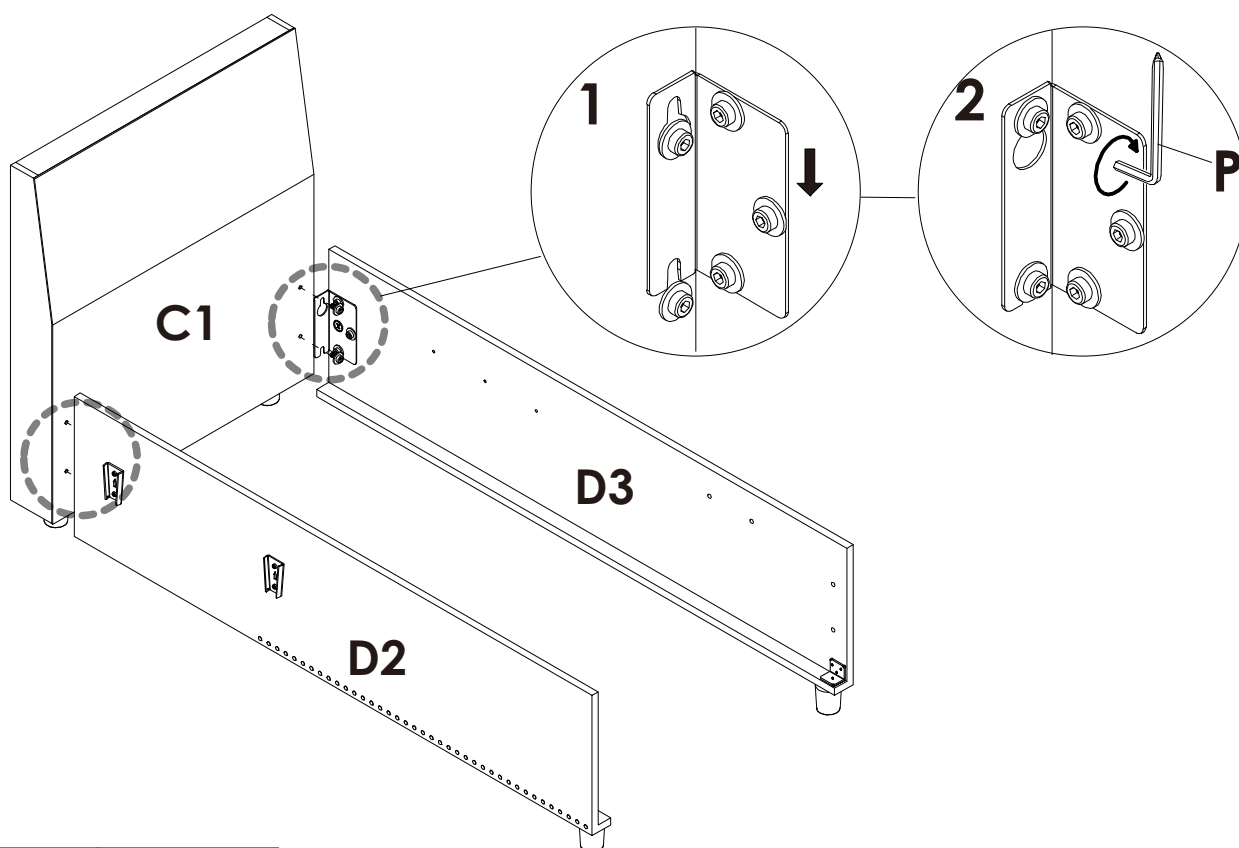
Assembly Steps(EN) / Montageschritte(DE)

STEP 3



STEP 4

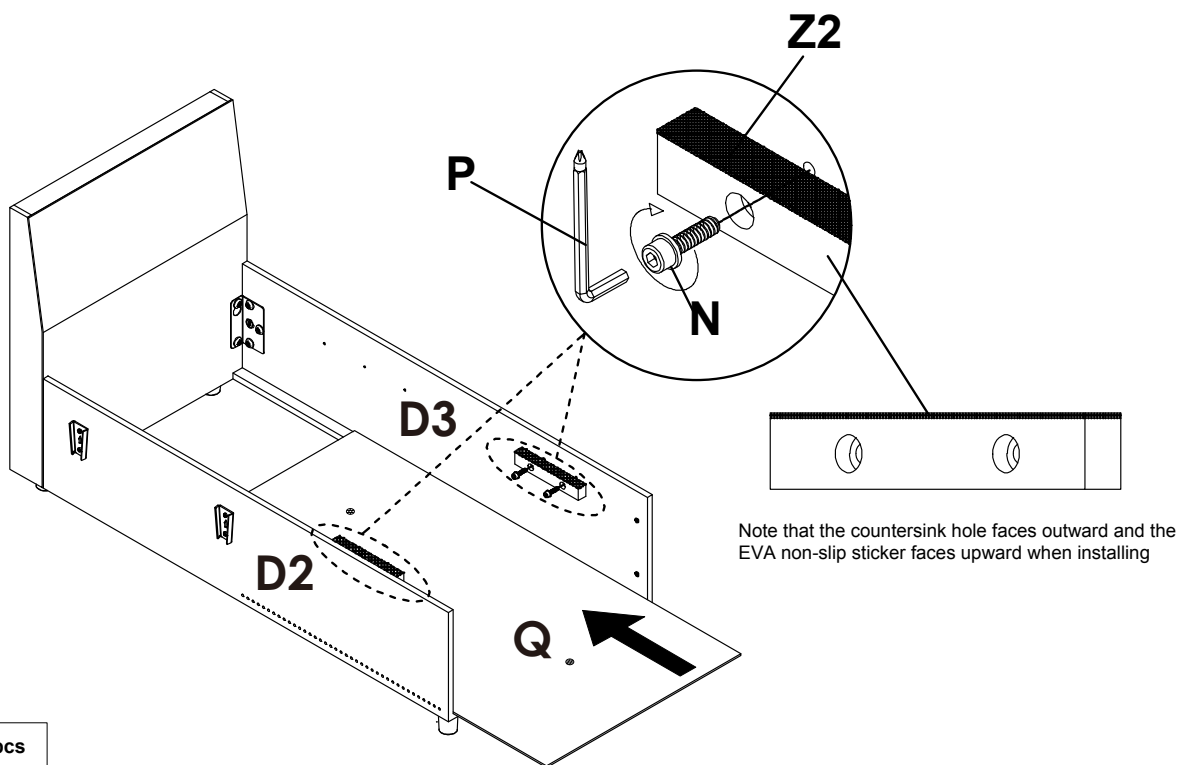
First loosen the screws, install the mounting plate, and then lock the screws.




P x 1PC

Assembly Steps(EN) / Montageschritte(DE)

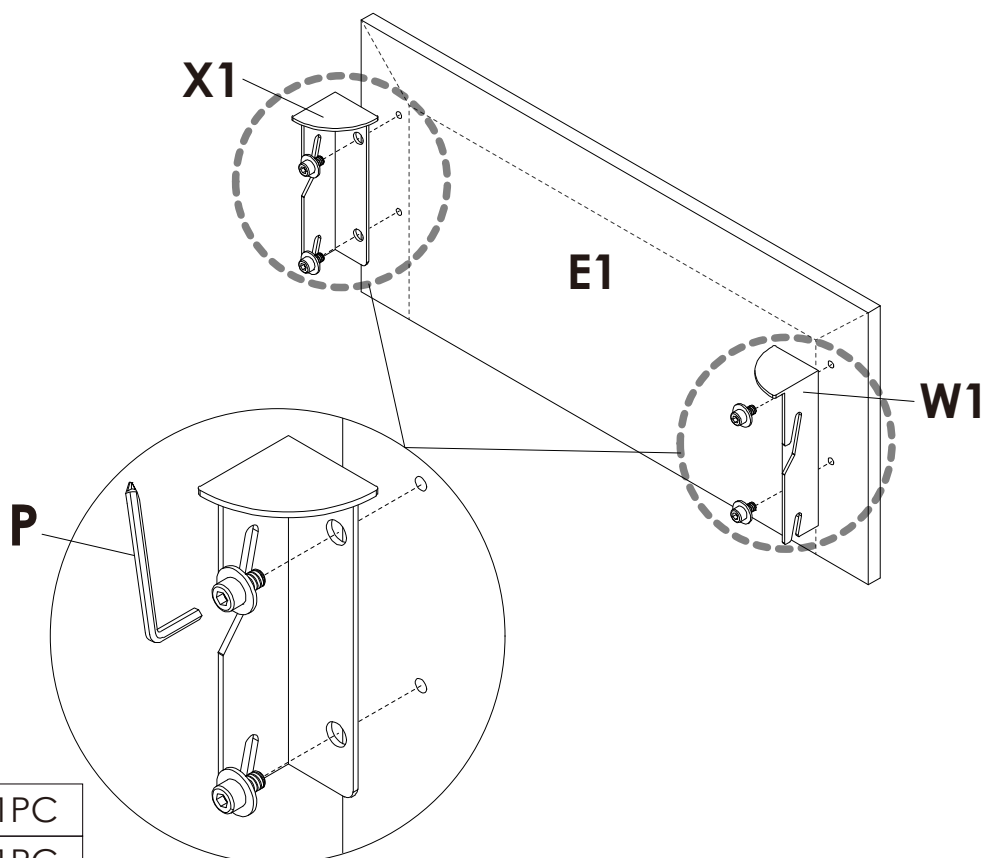
STEP 5



 N x 4pcs

 P x 1pc

STEP 6



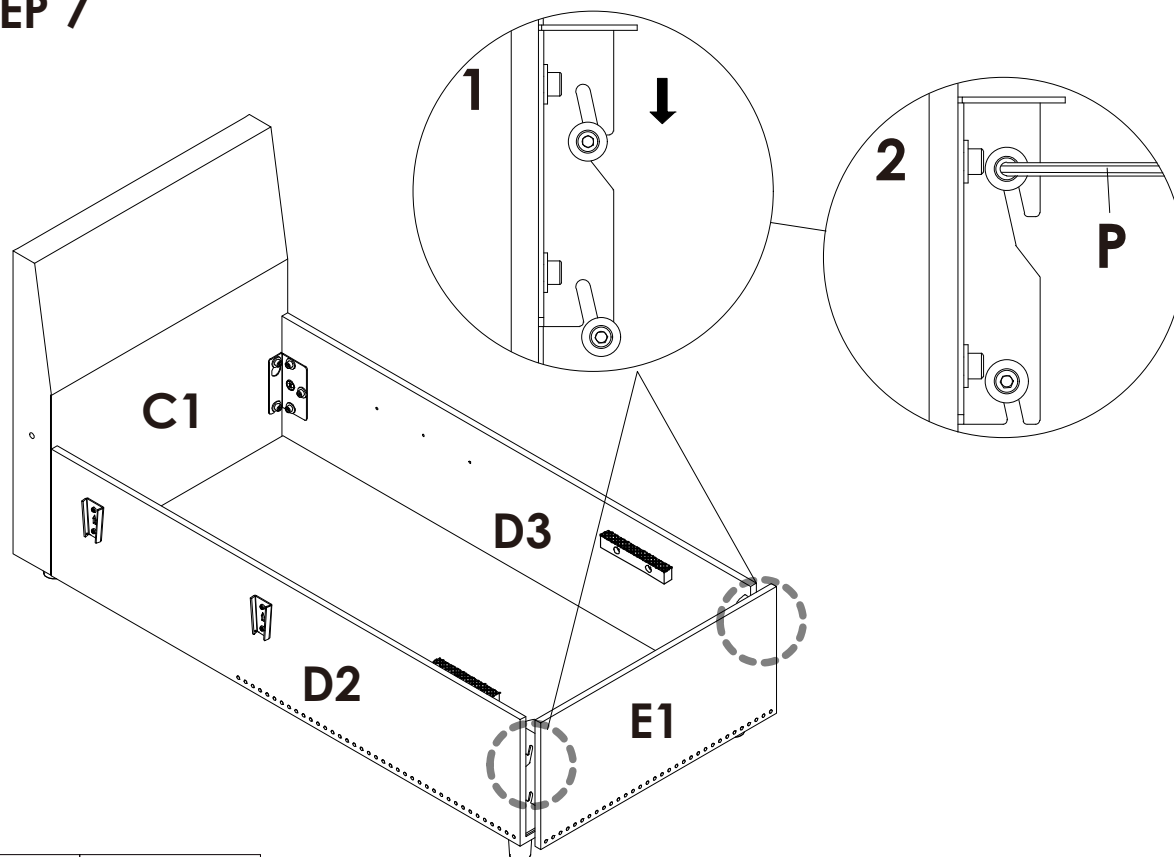
 W1 x 1PC

 X1 x 1PC

 P x 1PC

Assembly Steps(EN) / Montageschritte(DE)

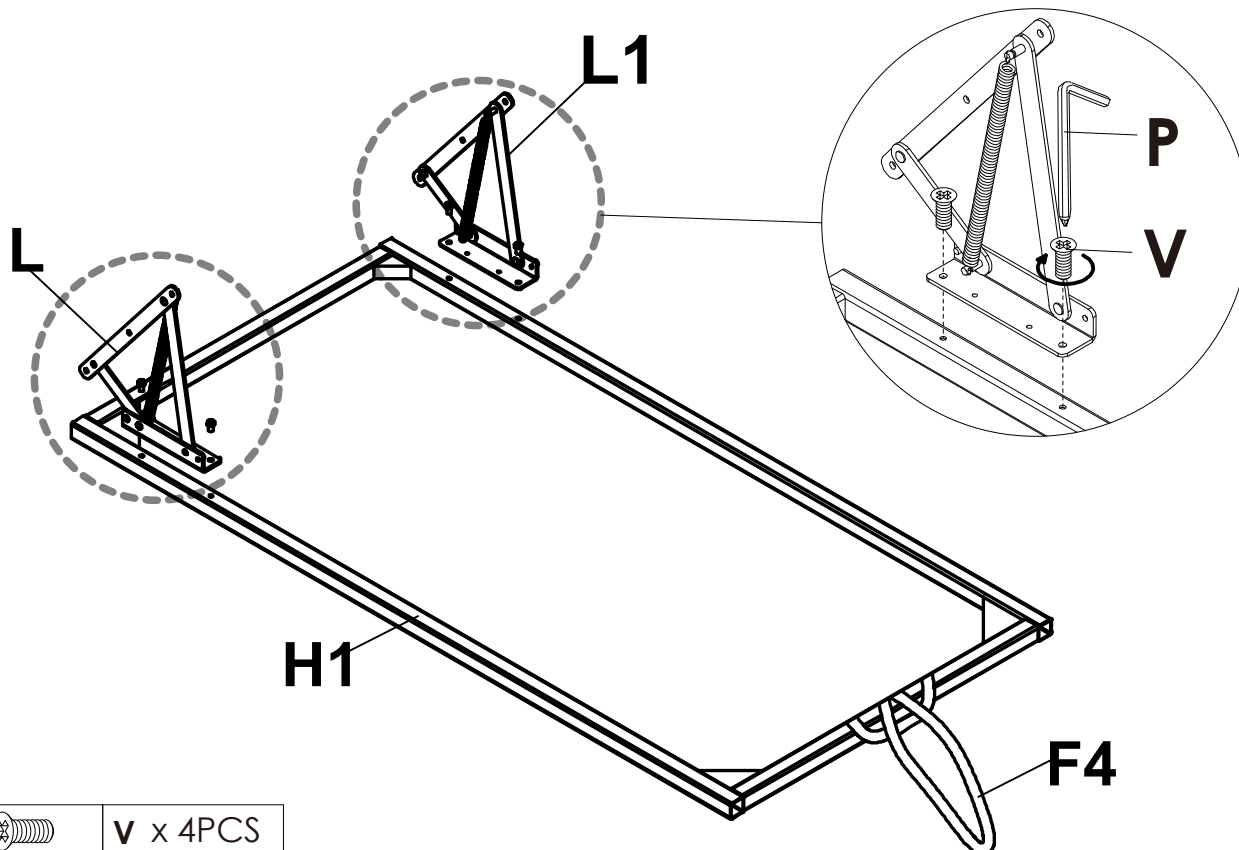
STEP 7



P x 1PC

STEP 8

Note: The accessories should be distinguished between left and right, and the screws should be tightened after installation.



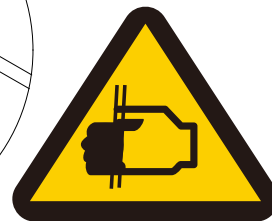
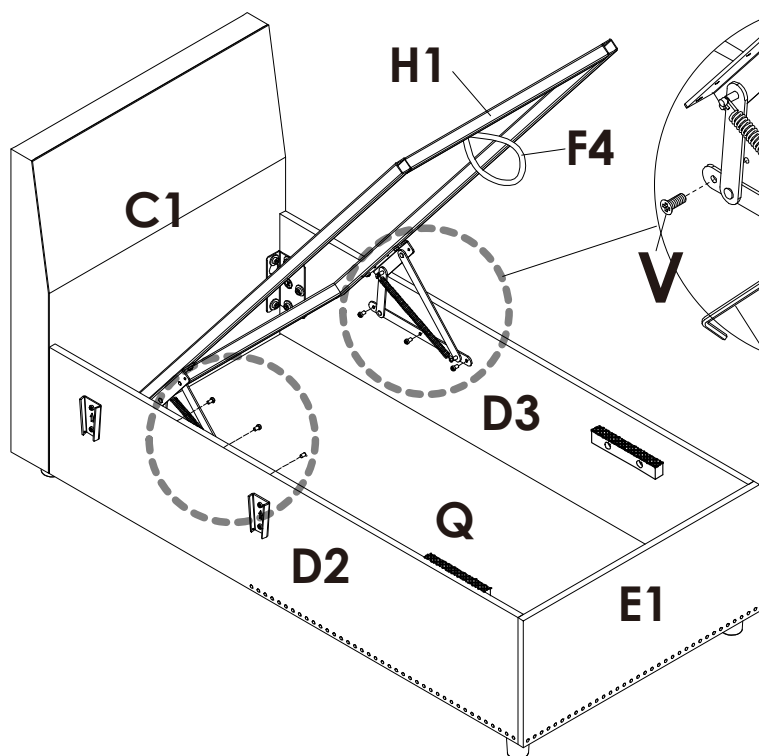
V x 4PCS



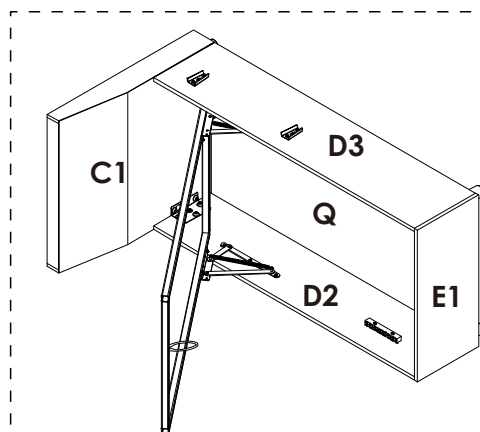
P x 1PC

Assembly Steps(EN) / Montageschritte(DE)

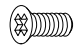

STEP 9



WARNING: HANDS PINCHING

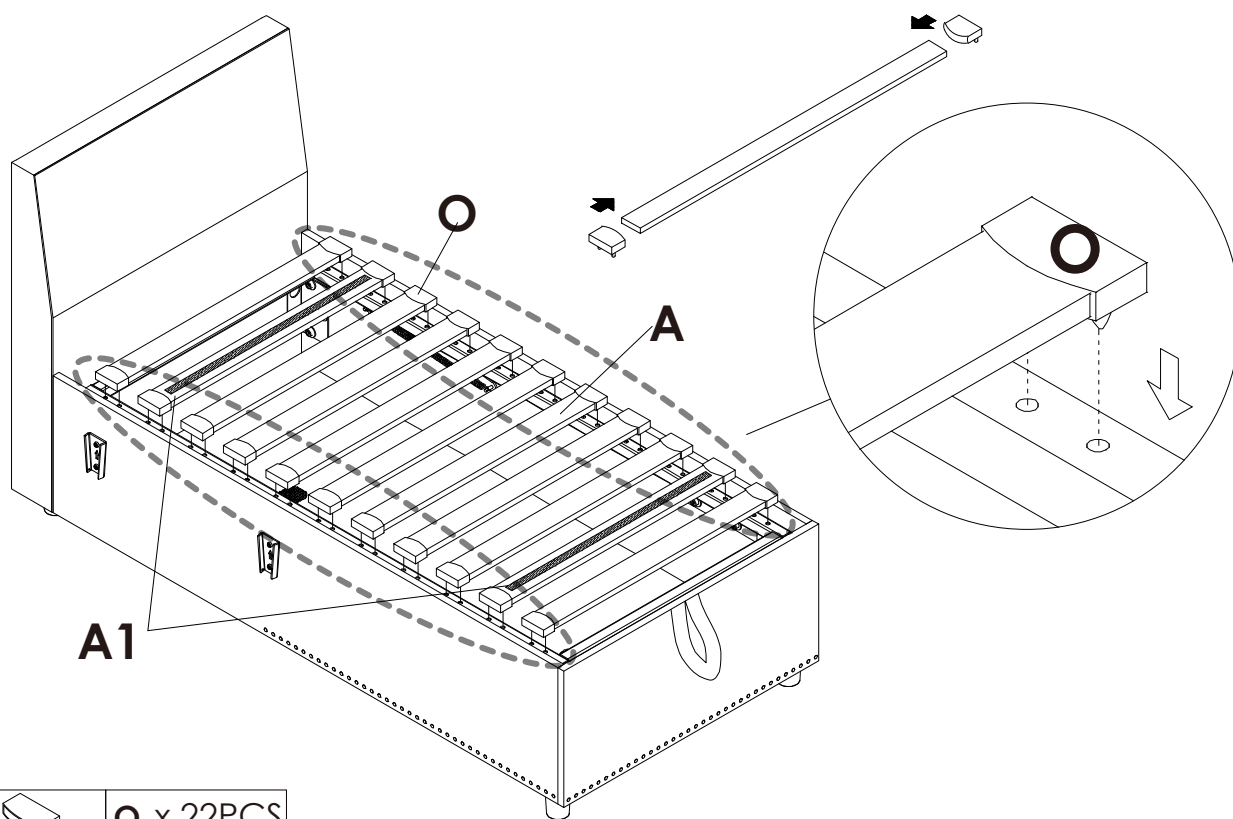


Note: Easier to install when tilted

	V x 6PCS
	P x 1PC

STEP 10

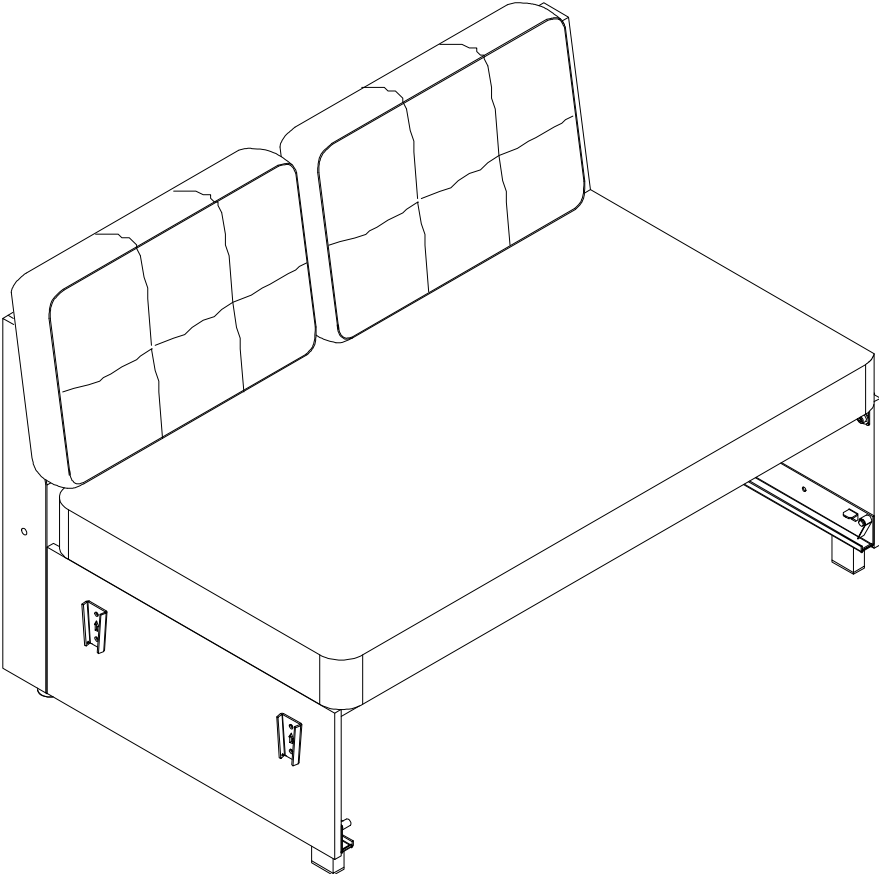
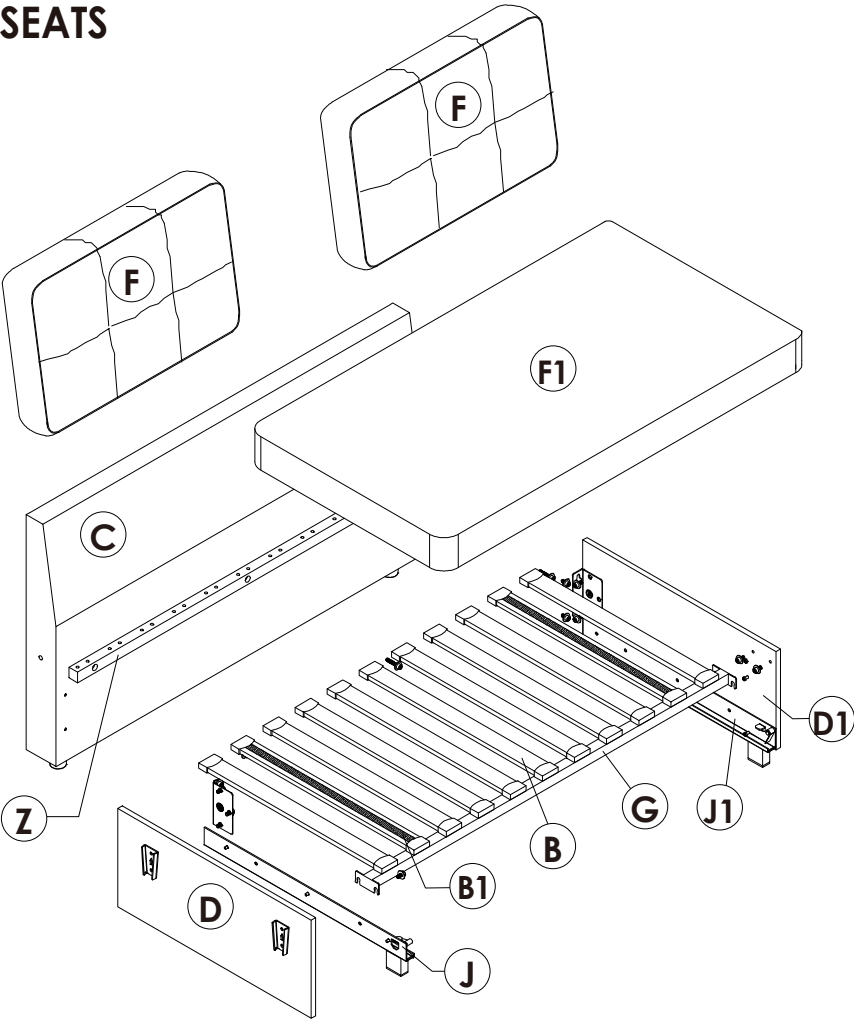
Place the **A1** in the second position and note that the Nylon Fastener side is facing up



	O x 22PCS
---	-----------

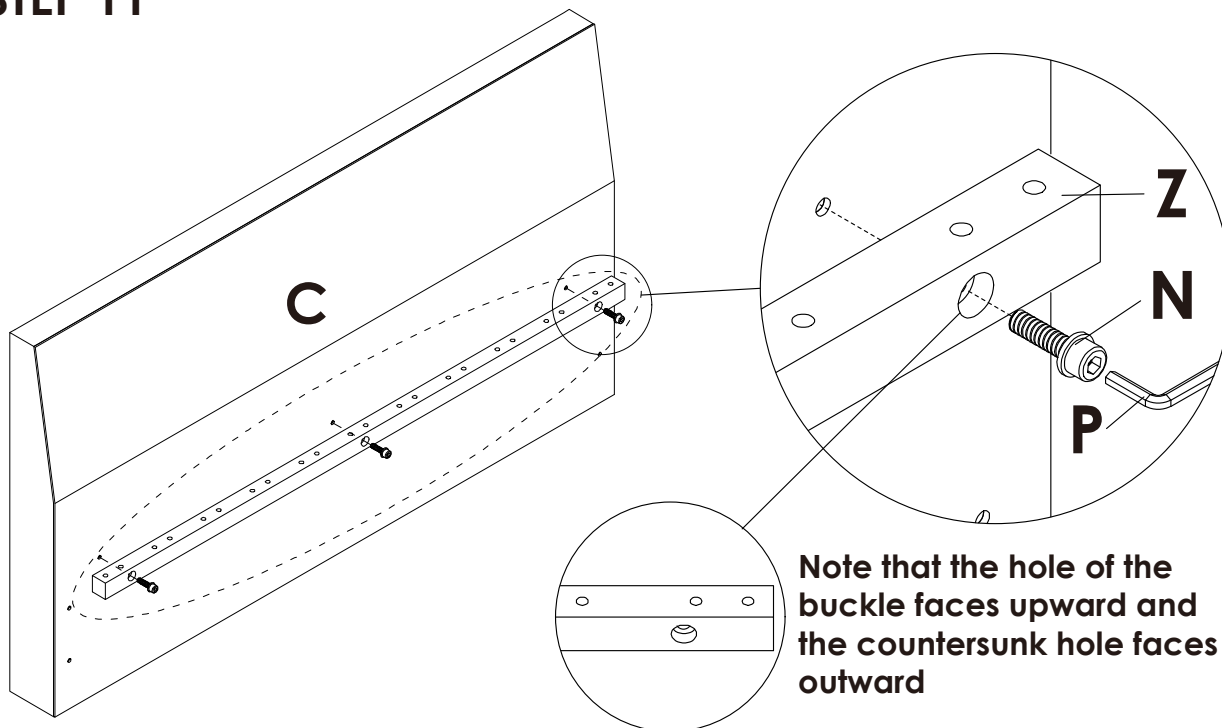
Main Structure Accessories



TWO SEATS

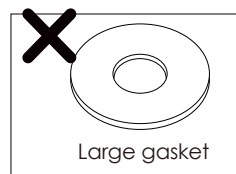


Assembly Steps(EN) / Montageschritte(DE)

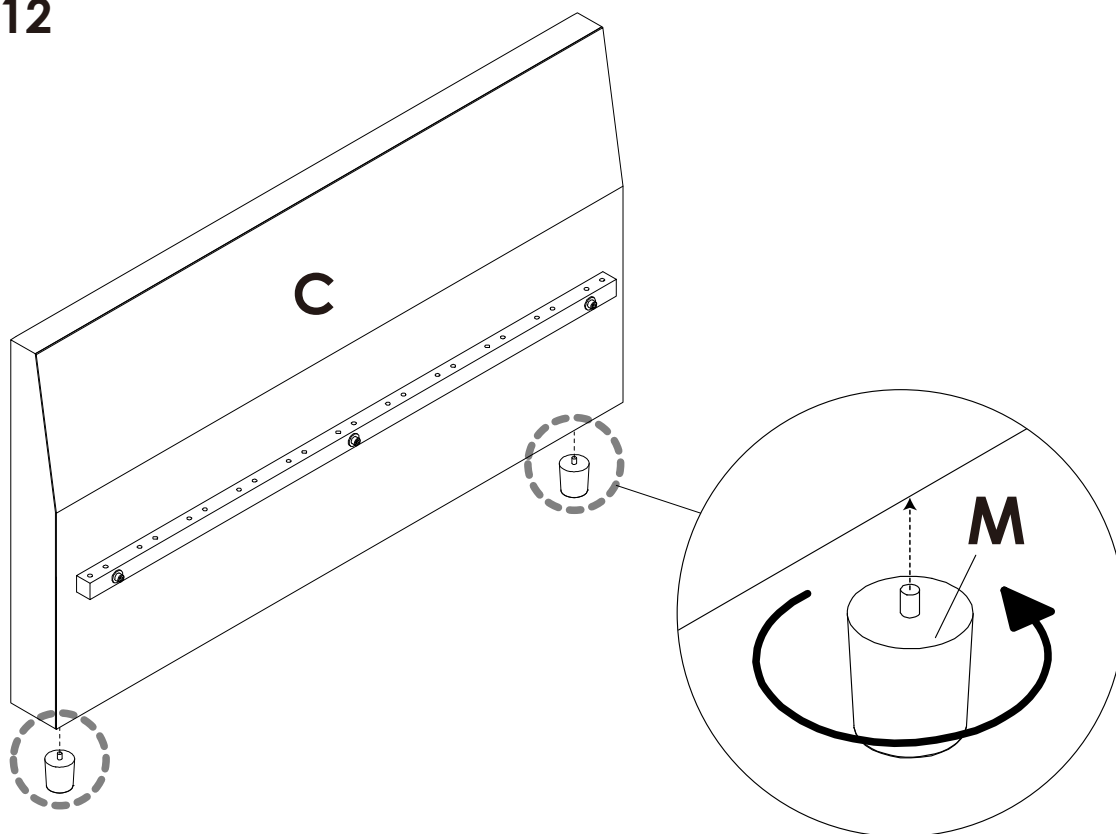
STEP 11



	N x 3PCS
	P x 1PC

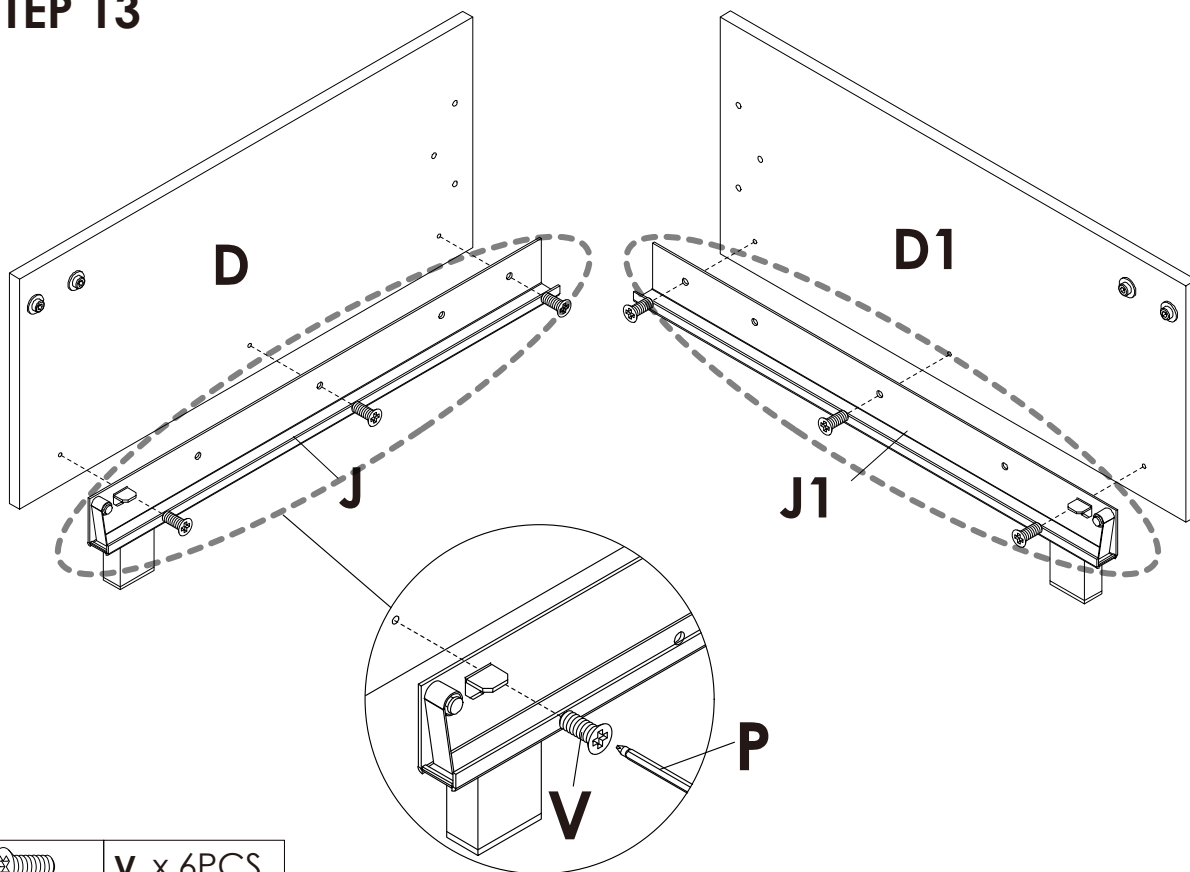




STEP 12



Assembly Steps(EN) / Montageschritte(DE)

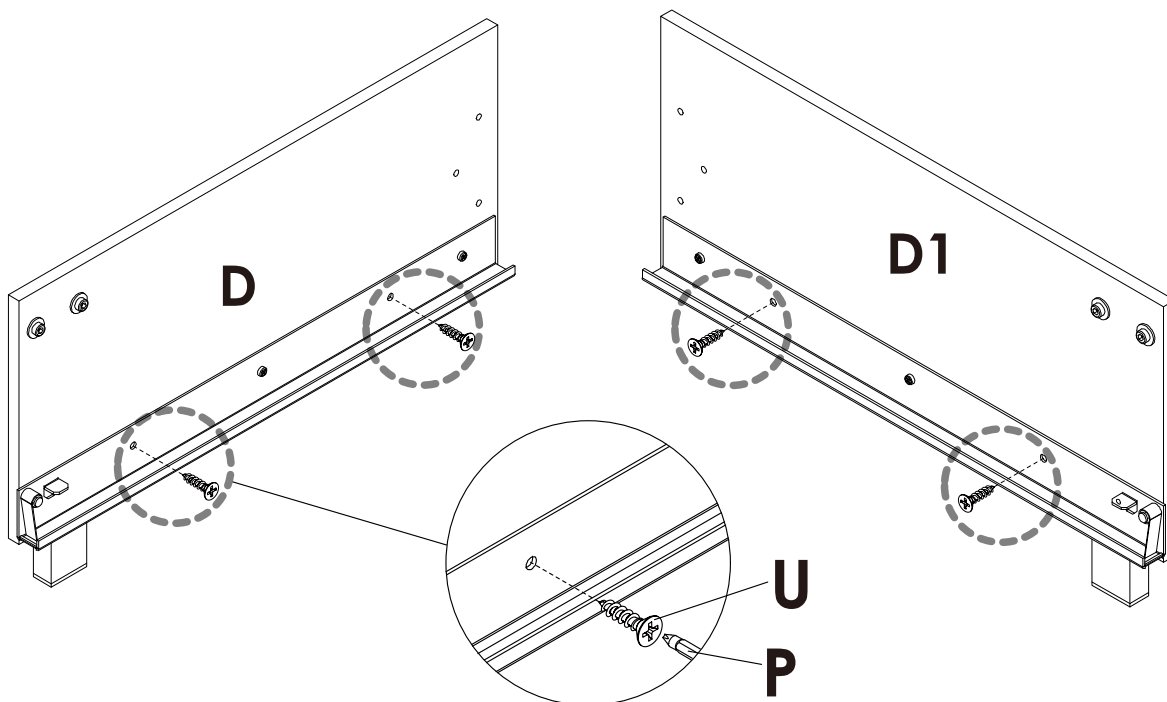
STEP 13



	V x 6PCS
	P x 1PC

STEP 14

Reinforcing lock with self-tapping screws

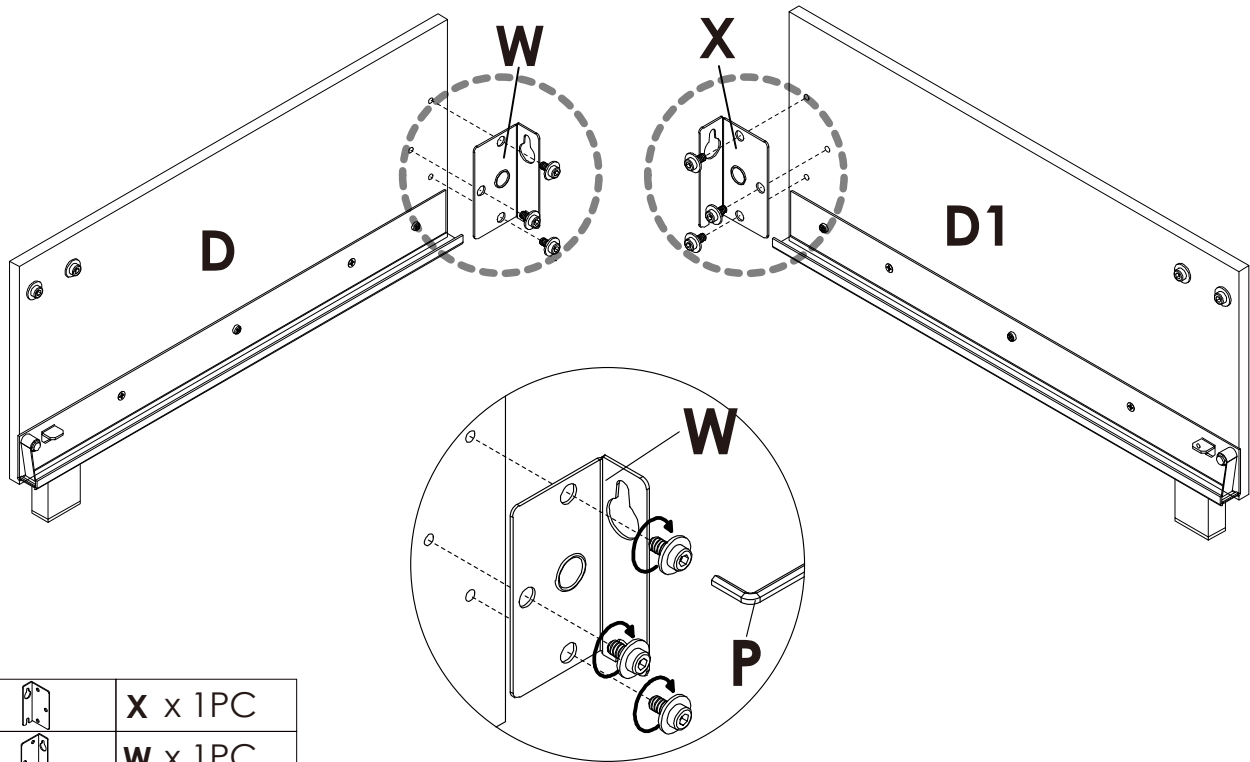



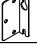

	U x 4PCS
	P x 1PC

Tips: Self-tapping screw is an auxiliary reinforcement function, you can choose to reinforce or not.

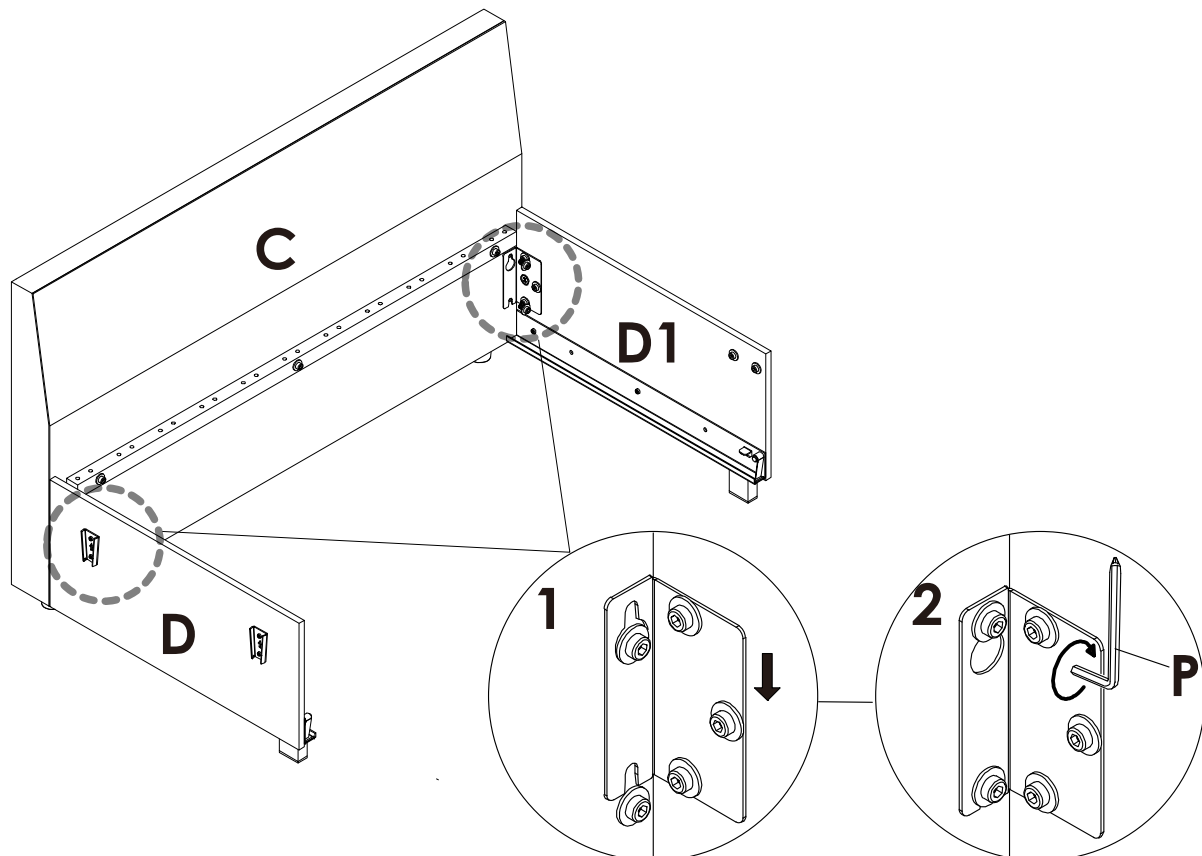
Assembly Steps(EN) / Montageschritte(DE)

STEP 15 First, loosen the screws properly for a better fit.



	X x 1PC
	W x 1PC
	P x 1PC

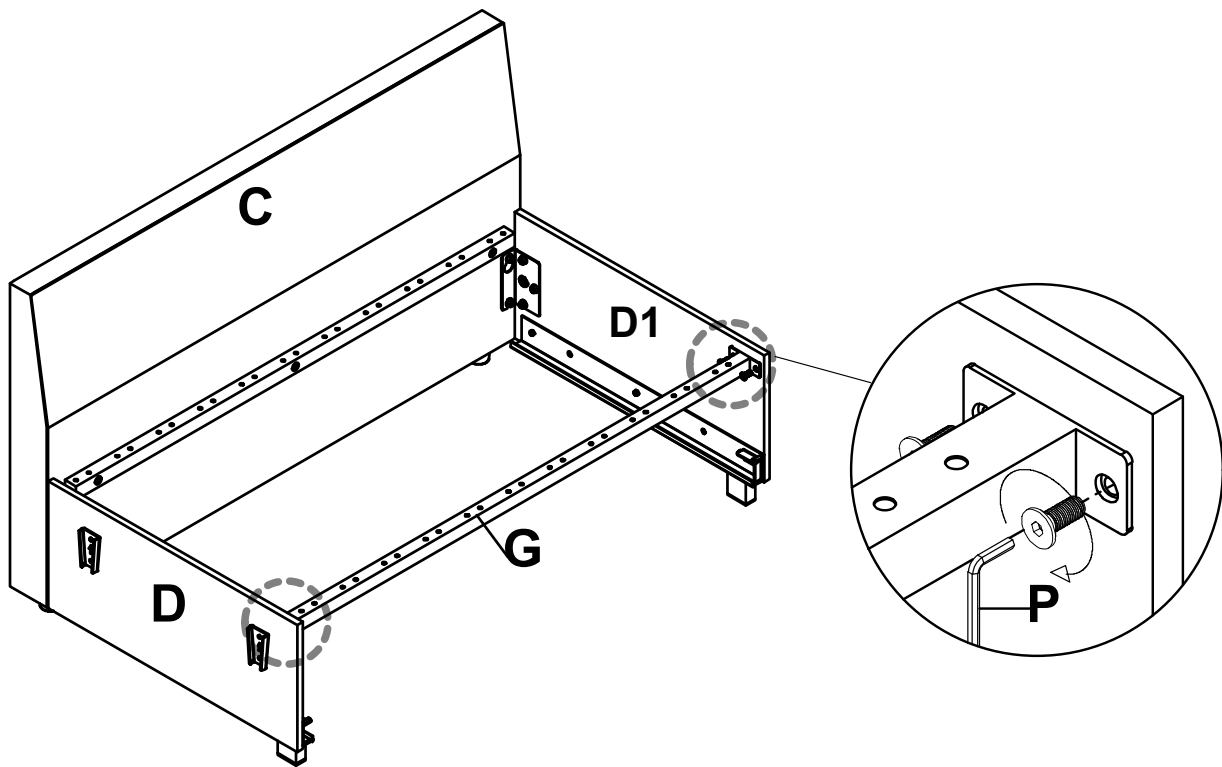
STEP 16 First loosen the screws, install the mounting plate, and then lock the screws.



	P x 1PC
---	---------

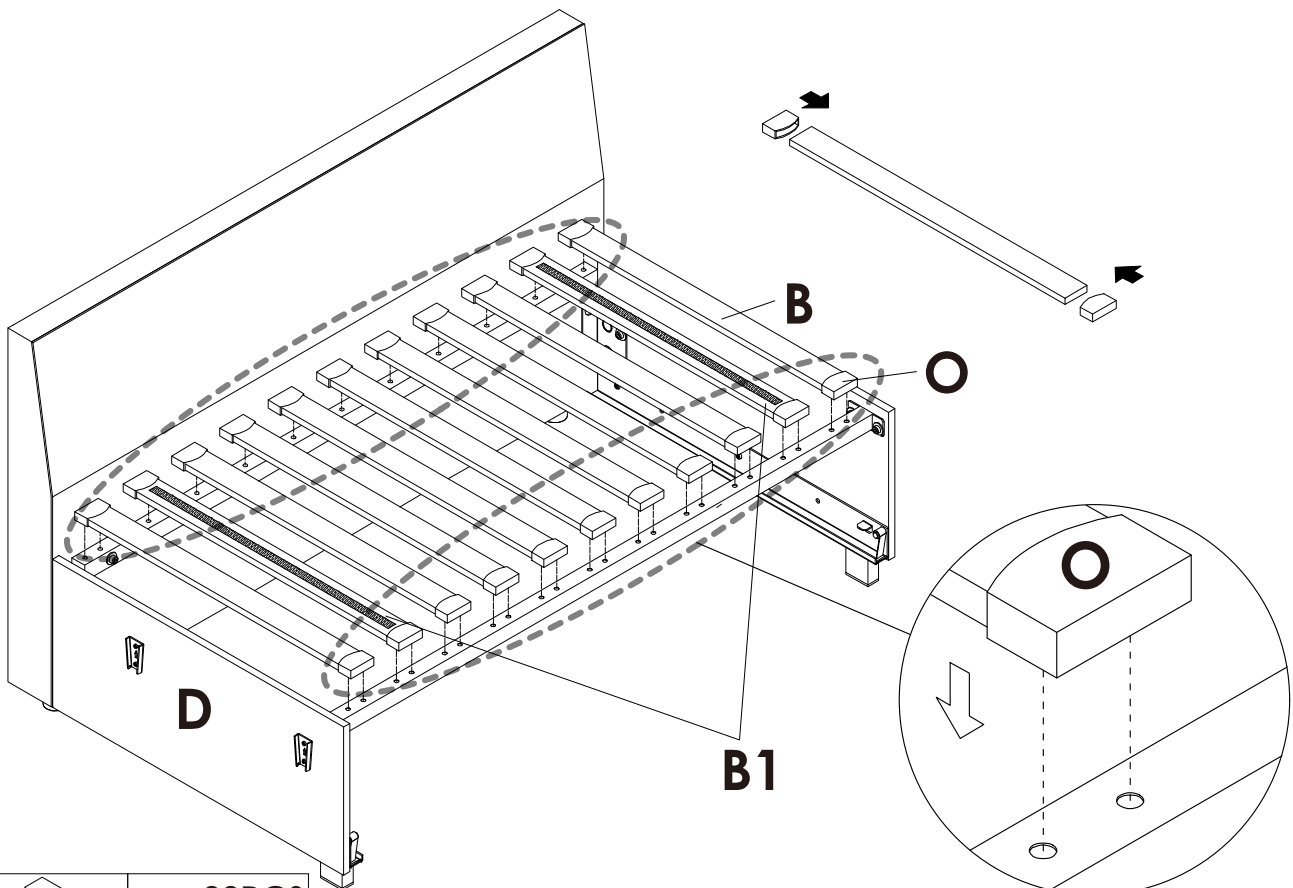
Assembly Steps(EN) / Montageschritte(DE)

STEP 17 First, loosen the screws properly for a better fit.



P x 1PC

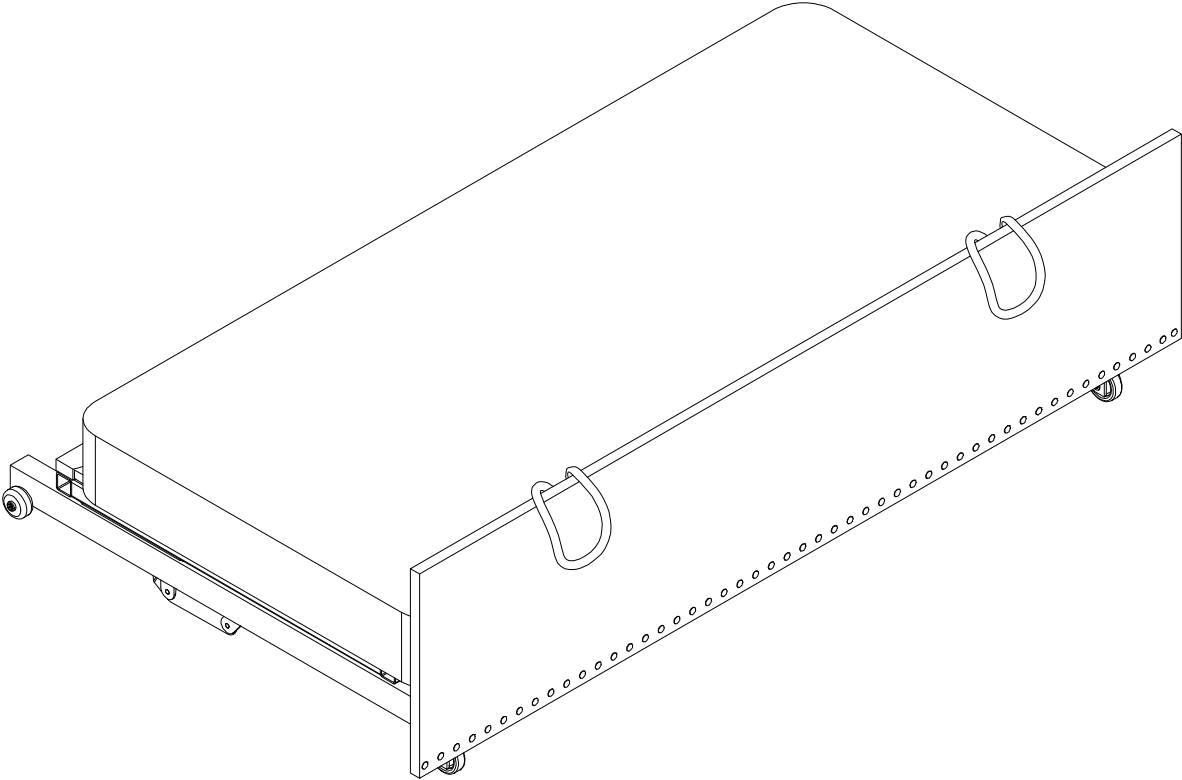
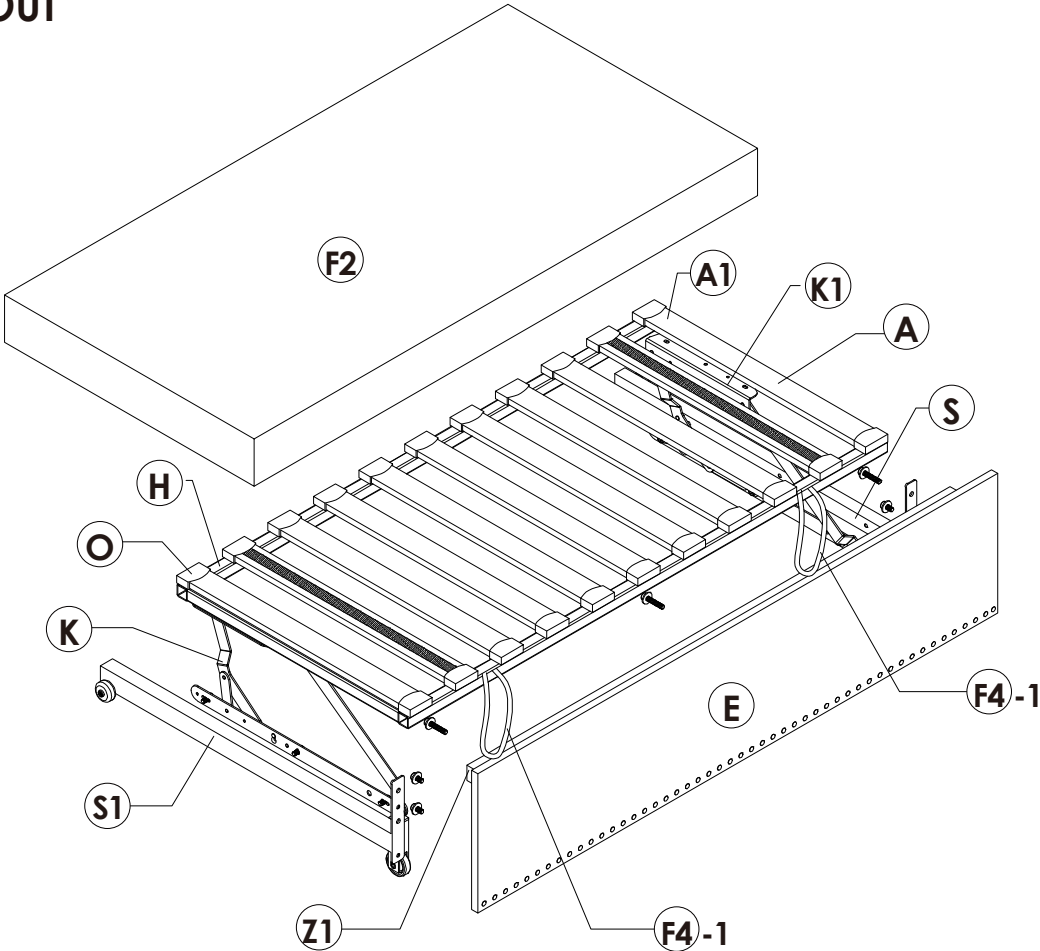
STEP 18 Place the **B1** in the second position and note that the Velcro side is facing up



O x 22PCS

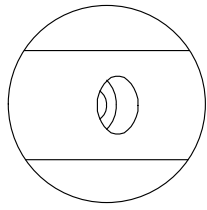
Main Structure Accessories

PULL-OUT

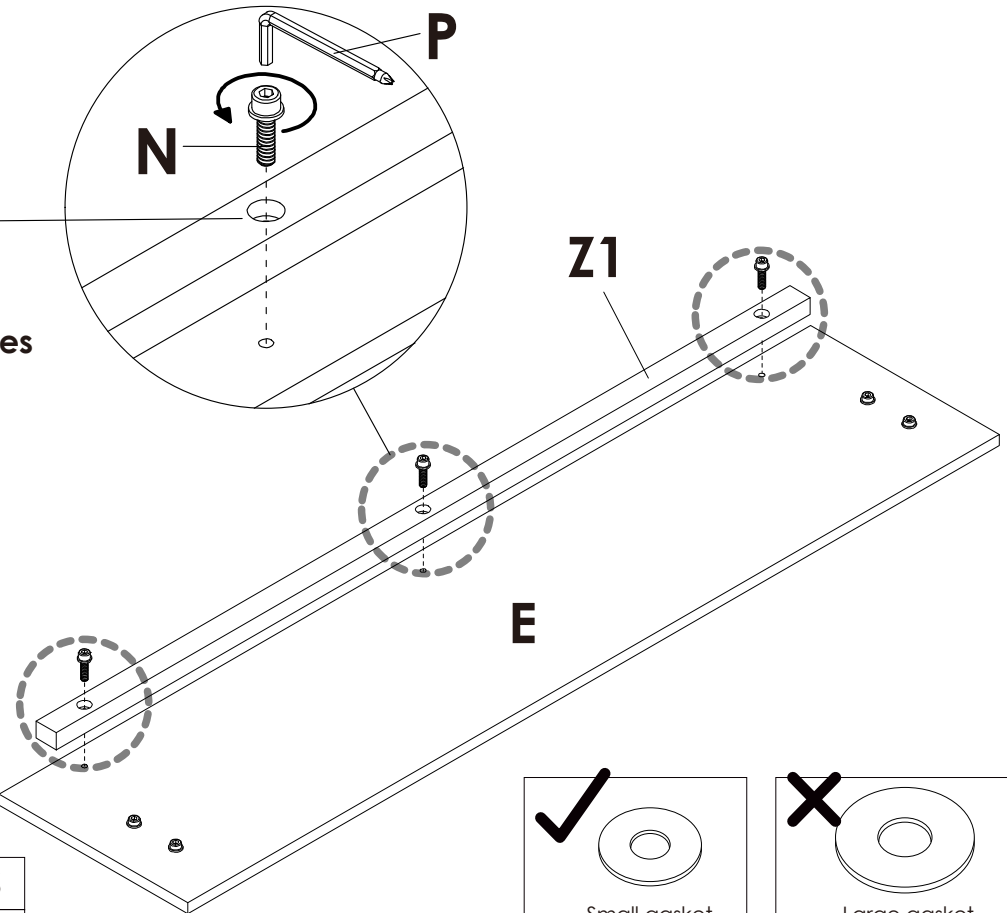




Assembly Steps(EN) / Montageschritte(DE)

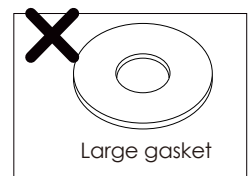
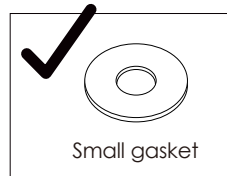
STEP 19



Countersunk holes
face outward.

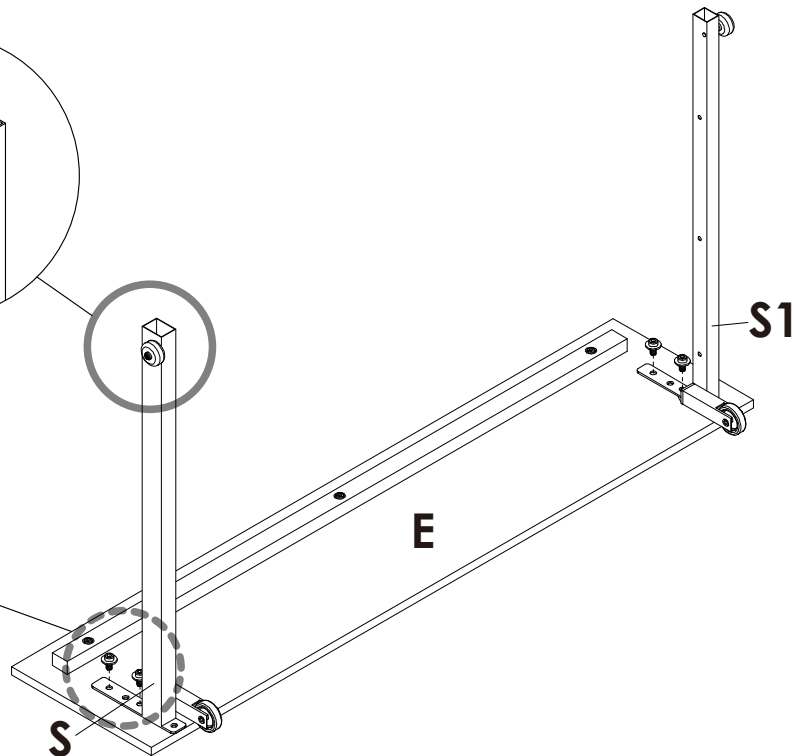
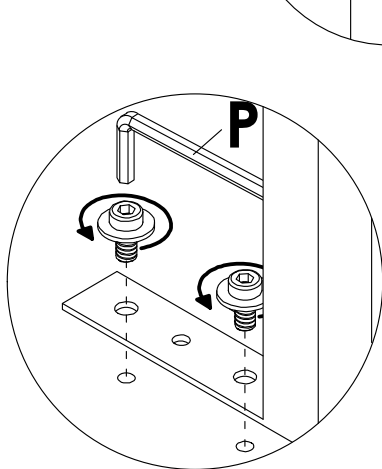
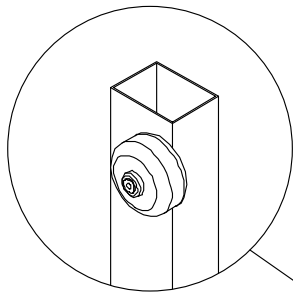


	N x 3PCS
	P x 1PC



STEP 20

First, loosen the screws properly for a better fit.

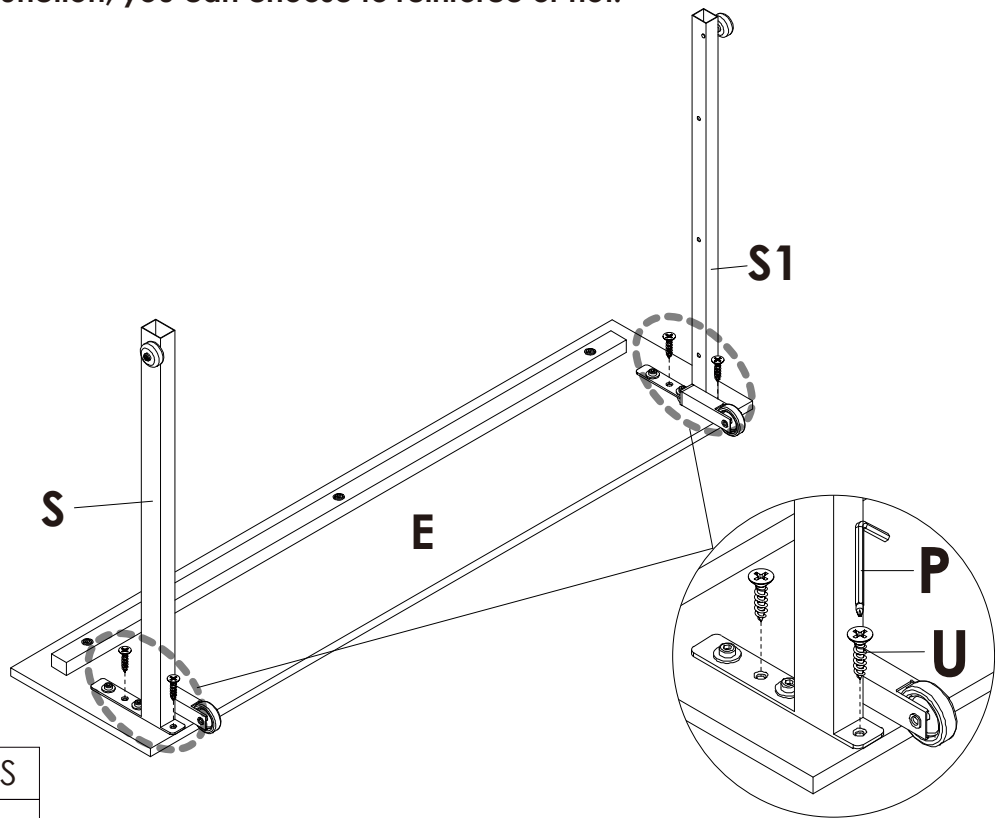


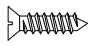

	P x 1PC
---	----------------

Assembly Steps(EN) / Montageschritte(DE)

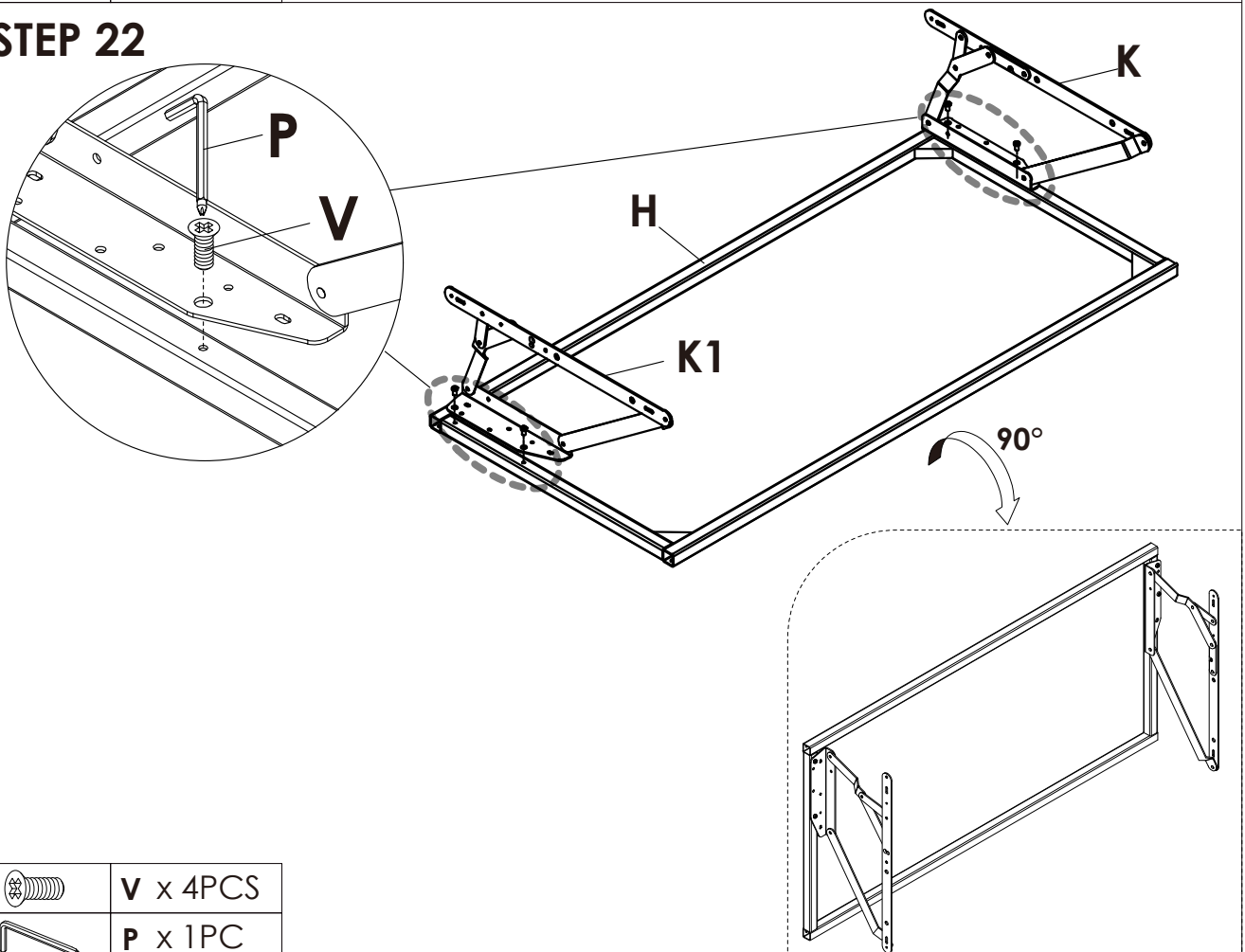
STEP 21



Tips: Self-tapping screw is an auxiliary reinforcement function, you can choose to reinforce or not.



	U x 4PCS
	P x 1PC

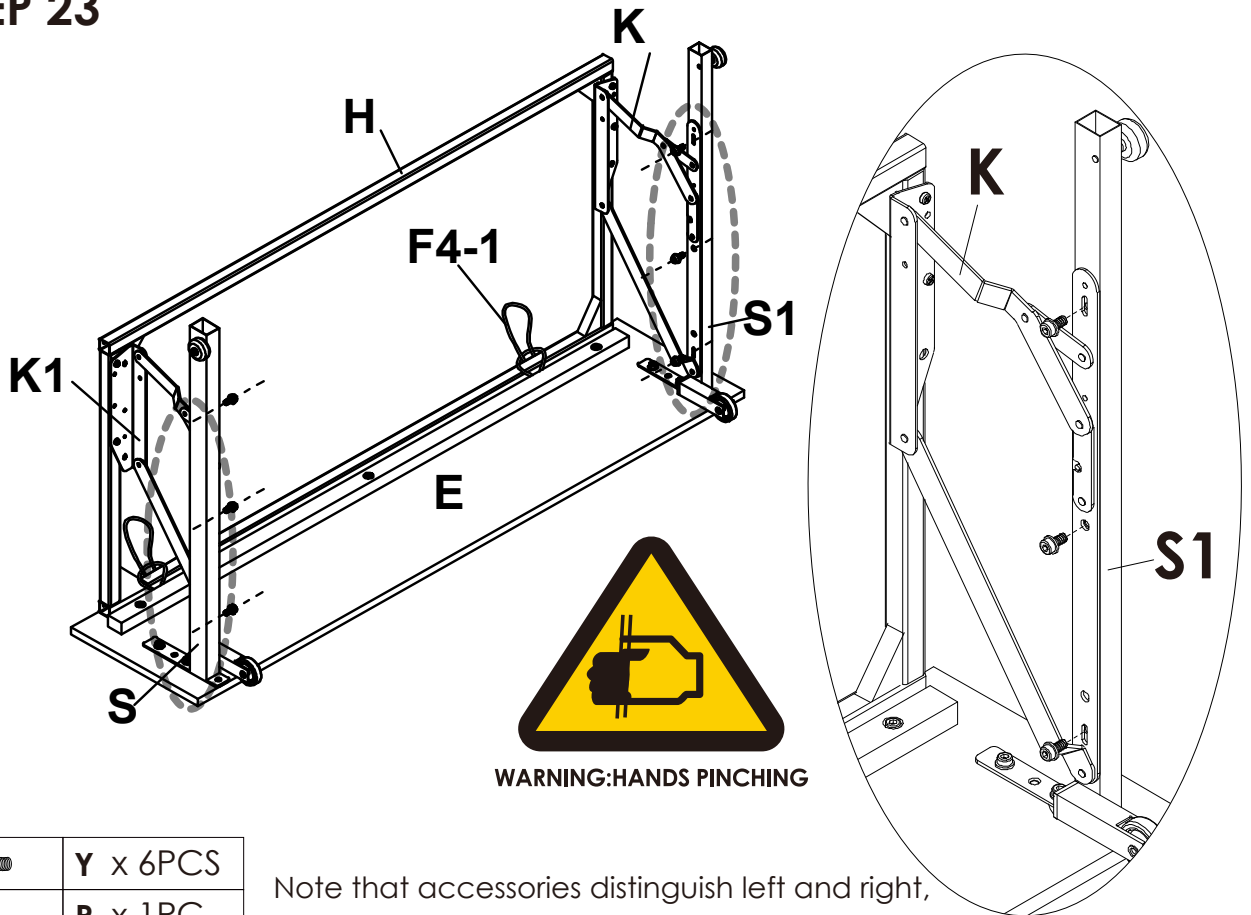
STEP 22



	V x 4PCS
	P x 1PC

Assembly Steps(EN) / Montageschritte(DE)

STEP 23



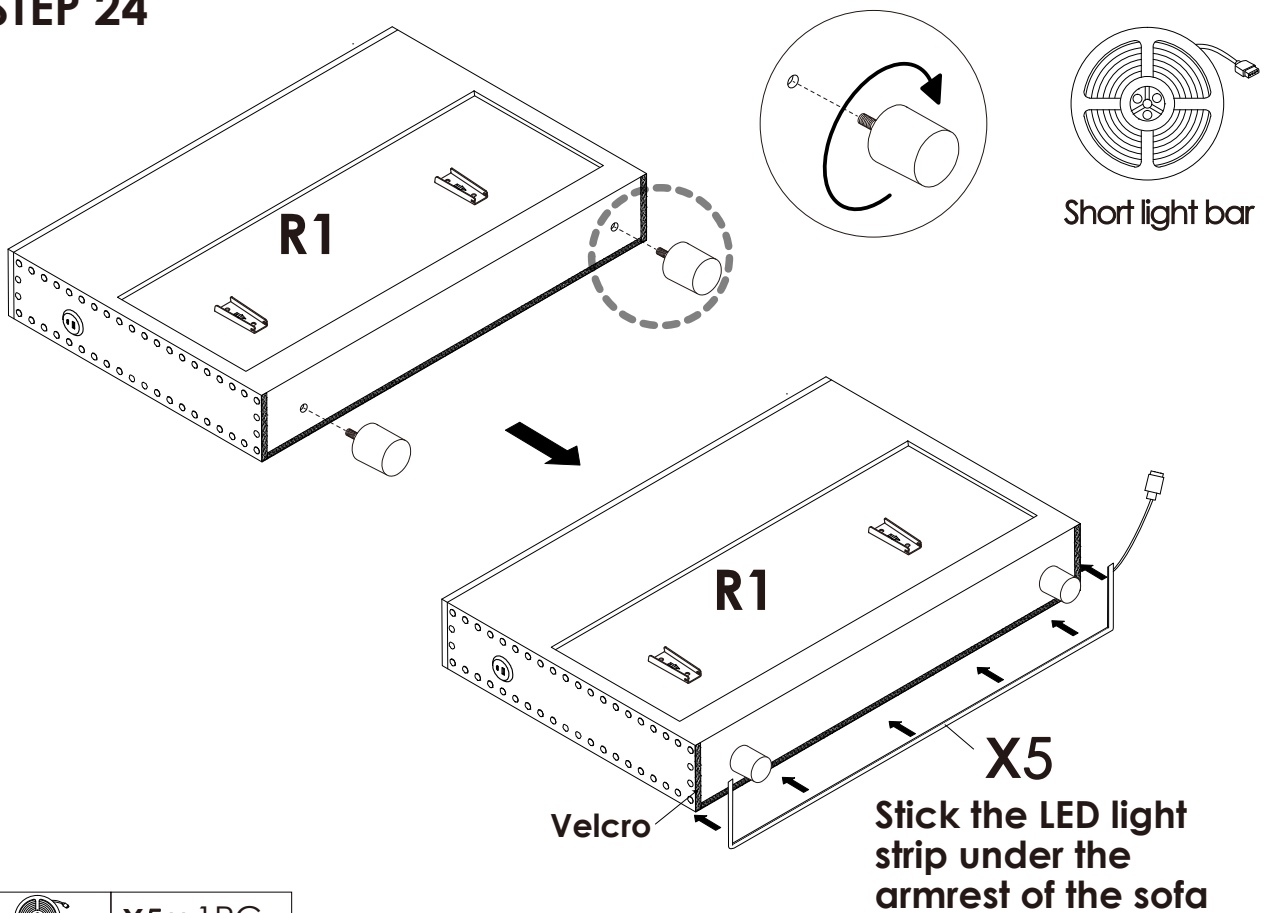
Y x 6PCS



P x 1PC

Note that accessories distinguish left and right,

STEP 24

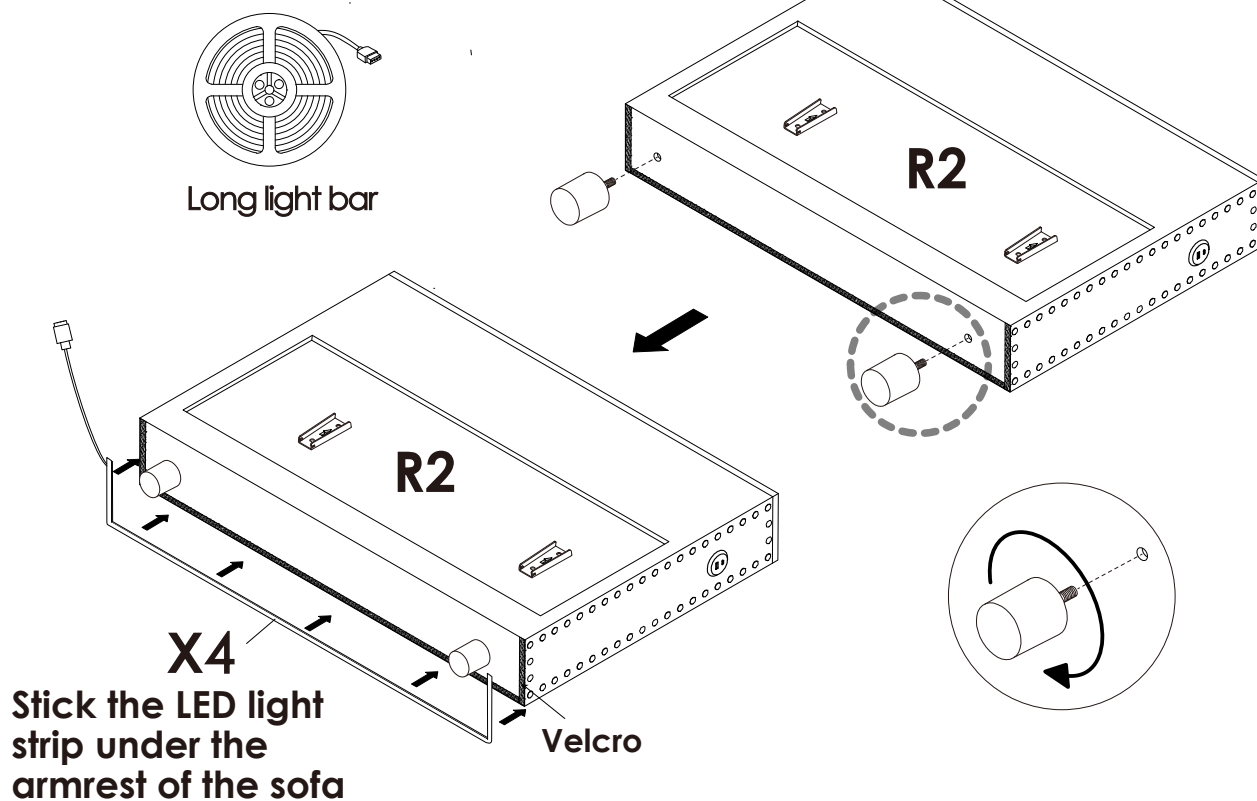


X5 x 1PC

Stick the LED light strip under the armrest of the sofa

Assembly Steps(EN) / Montageschritte(DE)

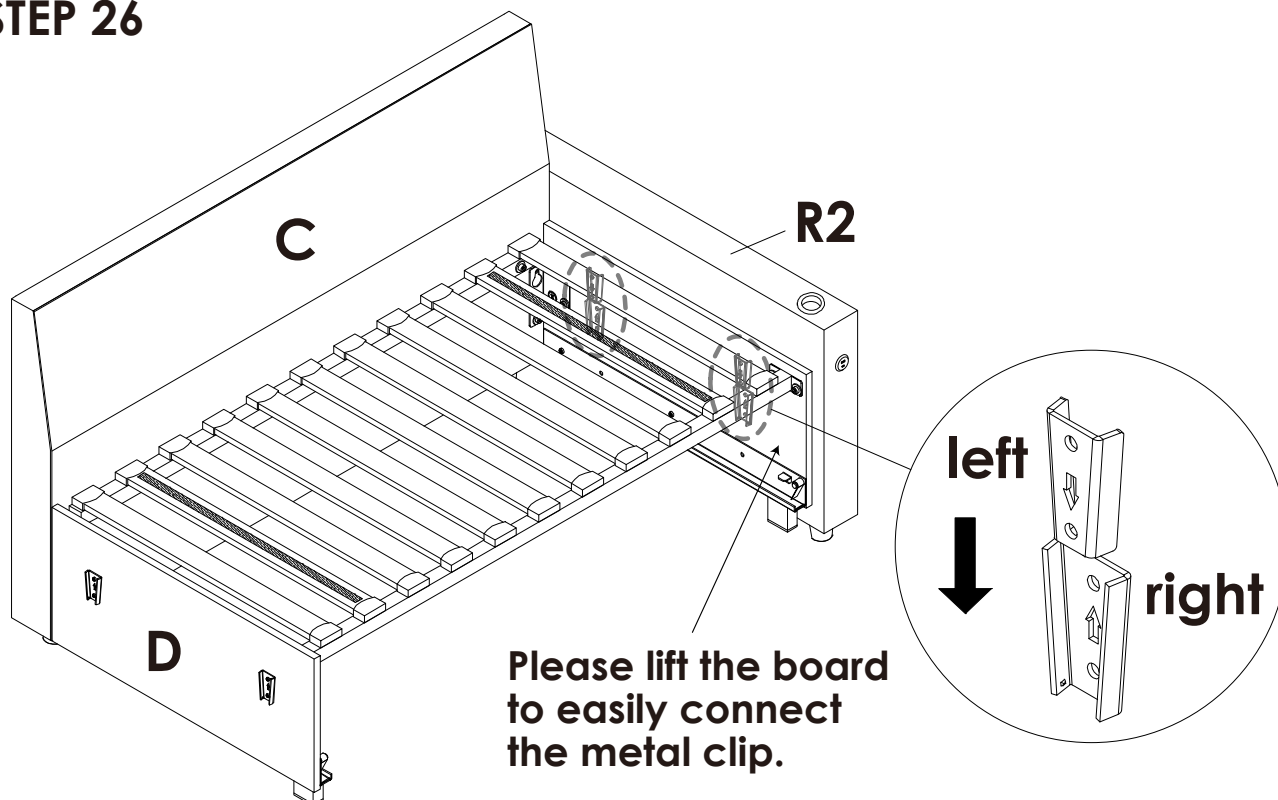
STEP 25



X4 x 1PC

Assembly Option ①

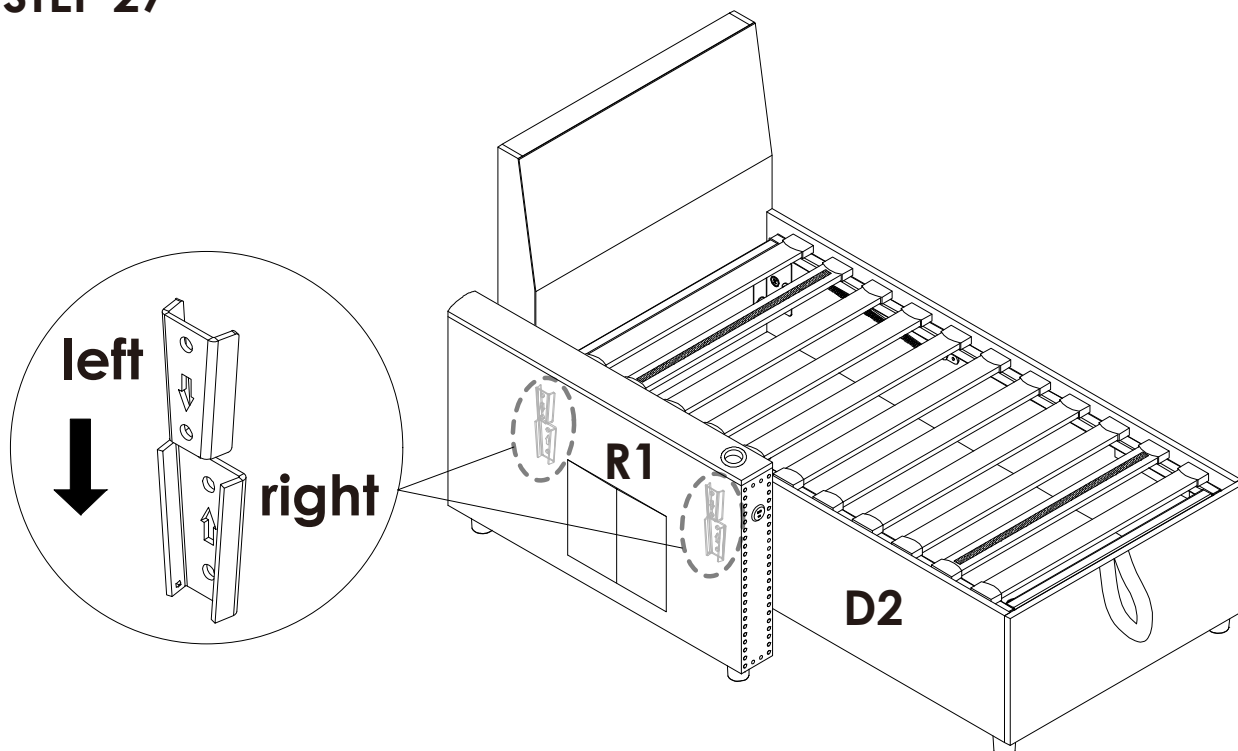
STEP 26



Assembly Steps(EN) / Montageschritte(DE)

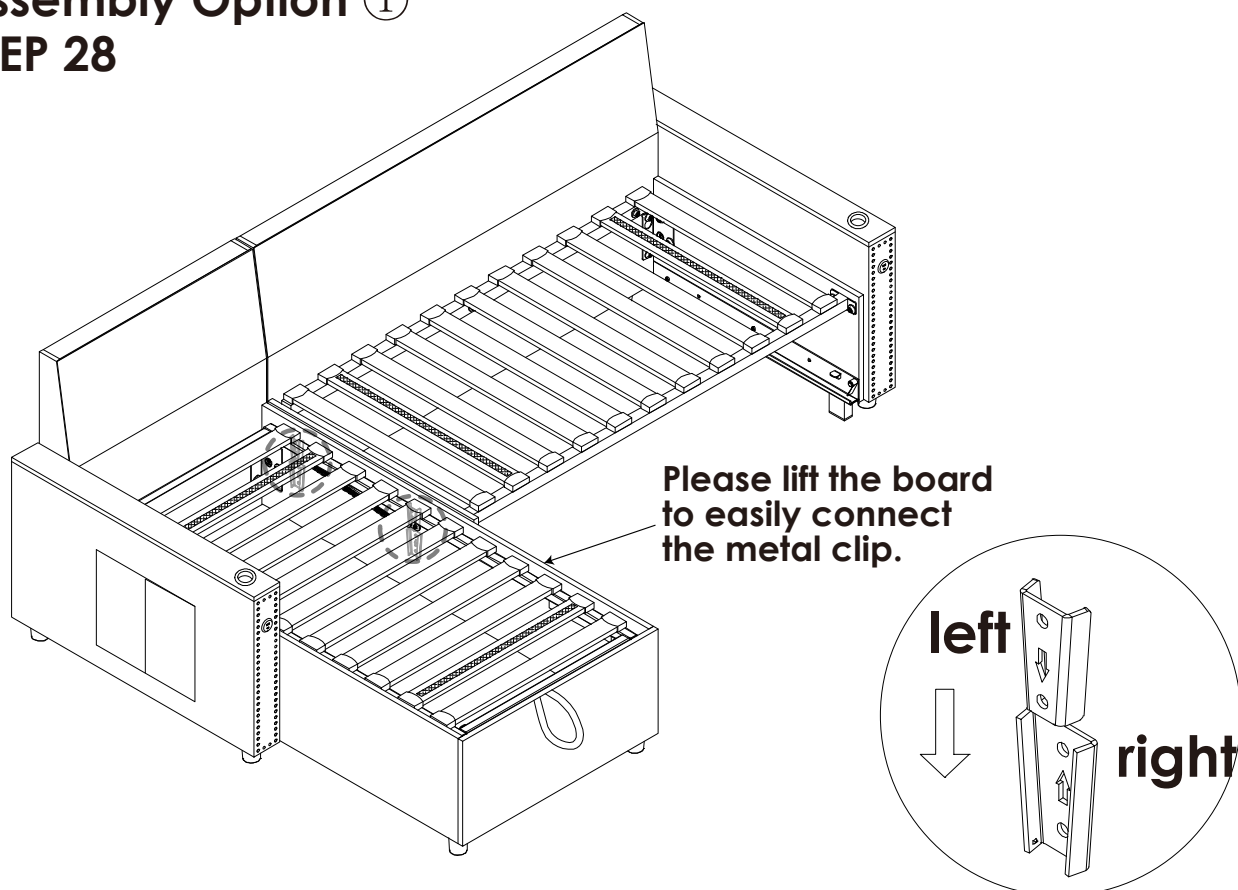
Assembly Option ① STEP 27

Please lift the board to easily connect the metal clip.



Assembly Option ① STEP 28

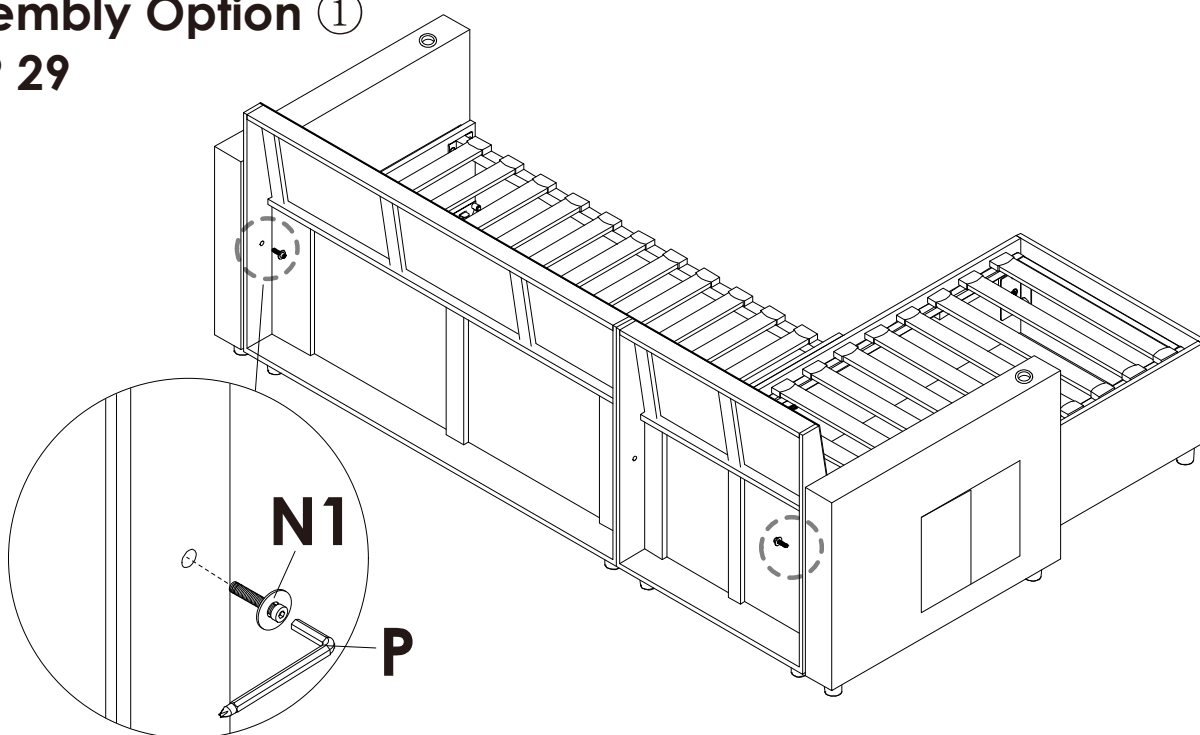
Please lift the board to easily connect the metal clip.





Assembly Steps(EN) / Montageschritte(DE)

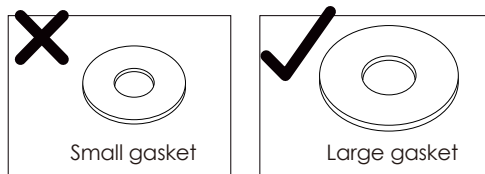
Assembly Option ①

STEP 29



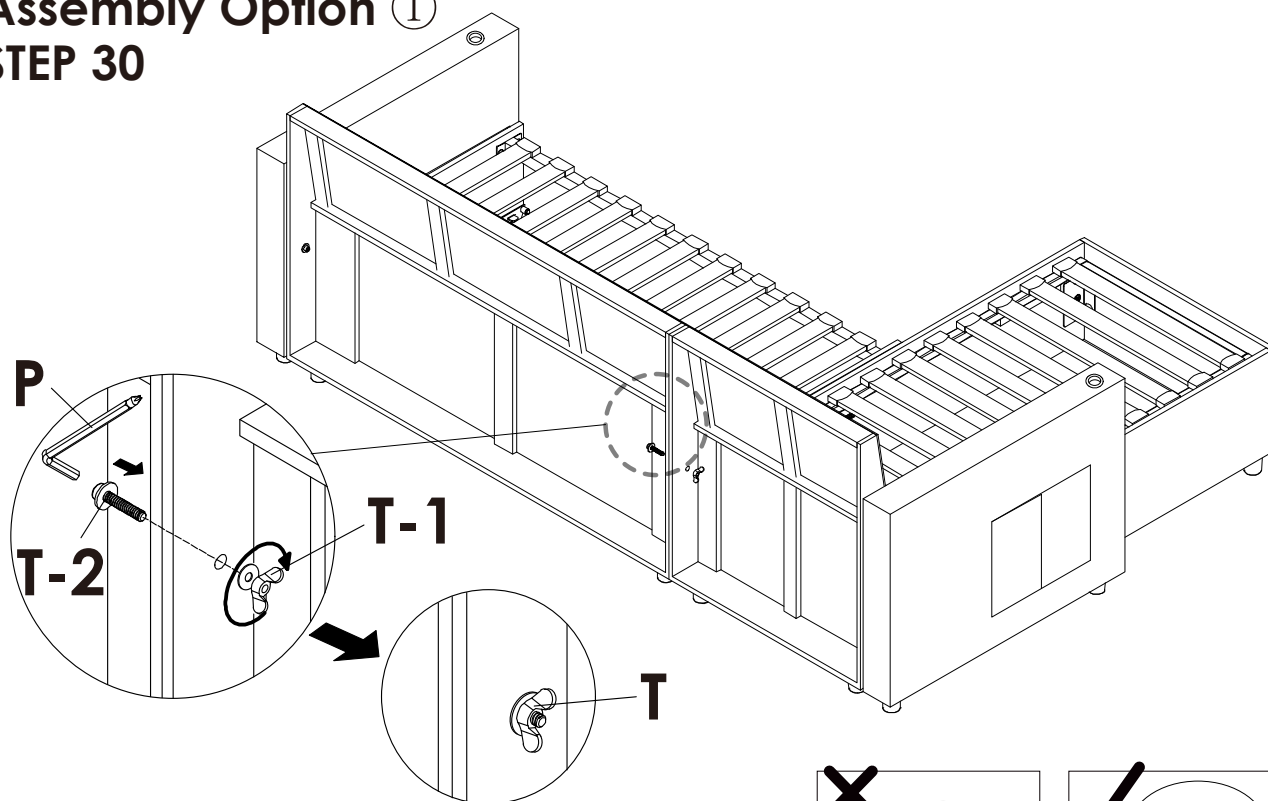
Secure with locking screws

	N1 x 2PCS
	P x 1PC


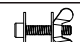


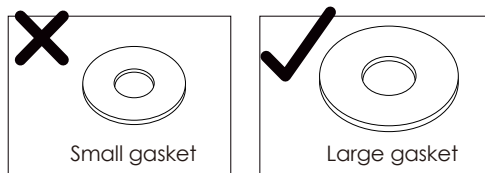
Assembly Option ①

STEP 30

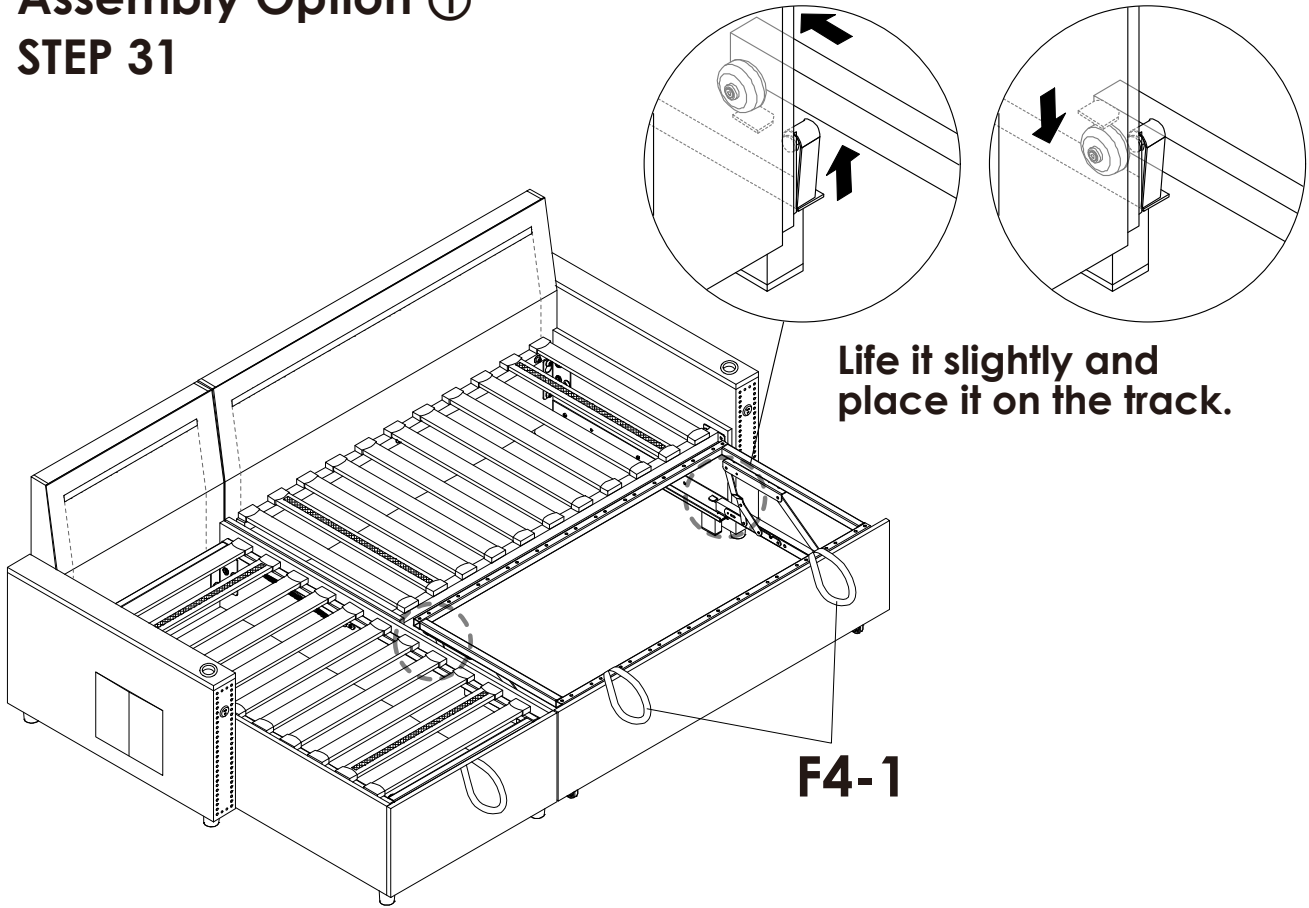


Screw through hole and tighten with butterfly nut.

	P x 1PC
	T x 1PC

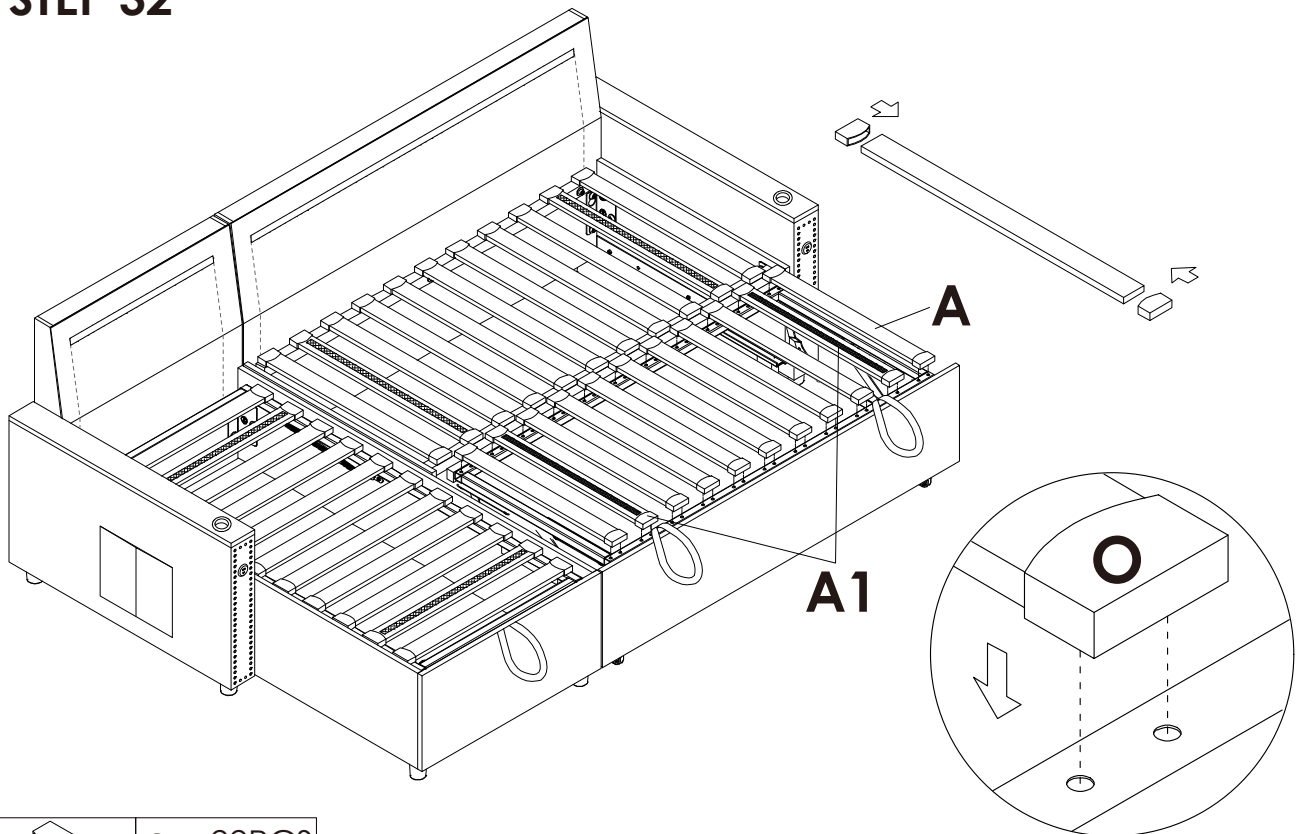


Assembly Option ①
STEP 31



Assembly Option ①
STEP 32

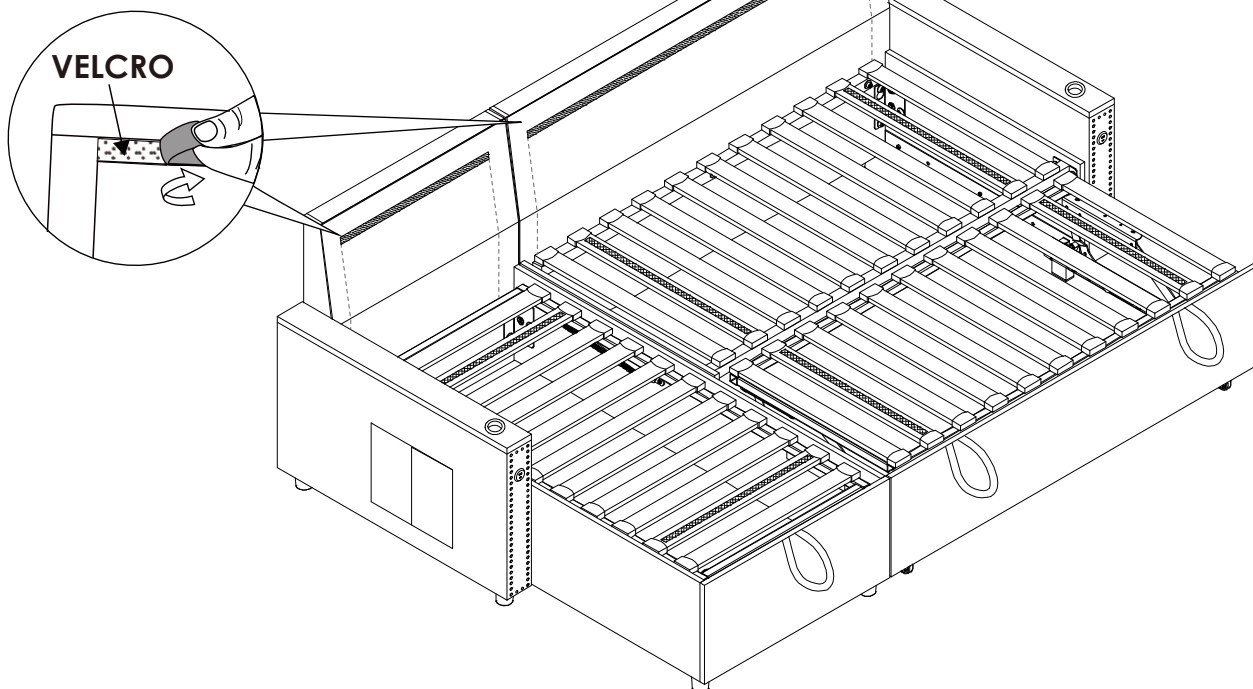
Place the A1 in the second position and note that the Nylon Fastener side is facing up.



O x 22PCS

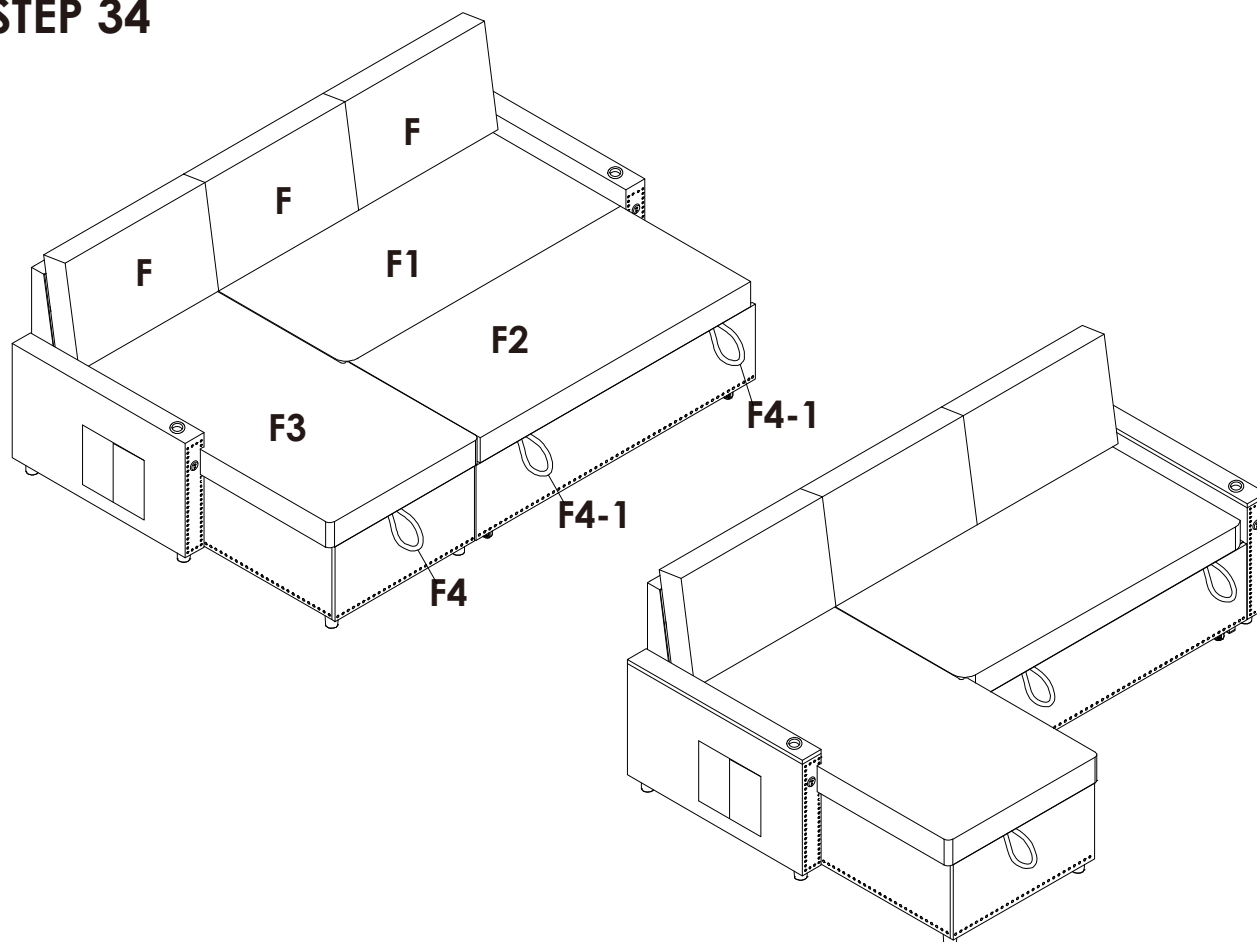
Assembly Option ①

STEP 33



Assembly Option ①

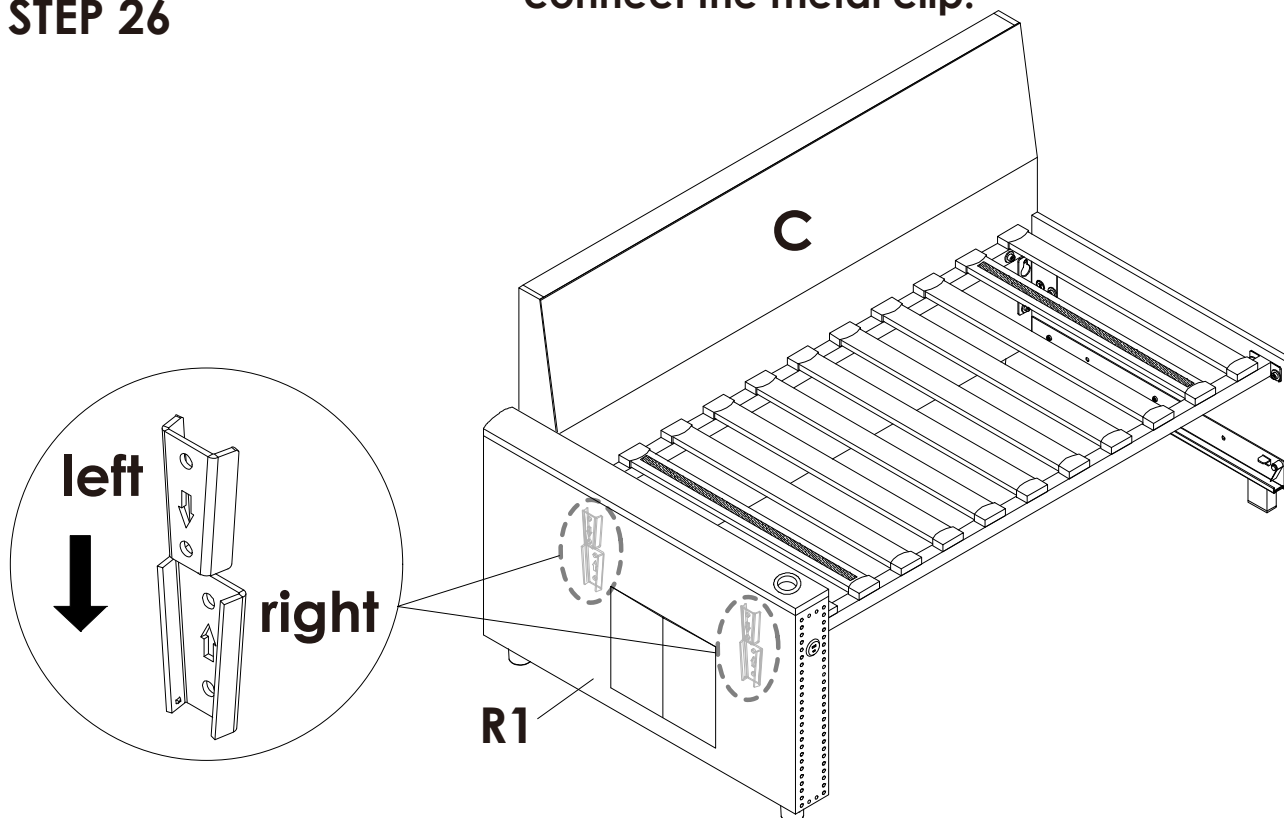
STEP 34



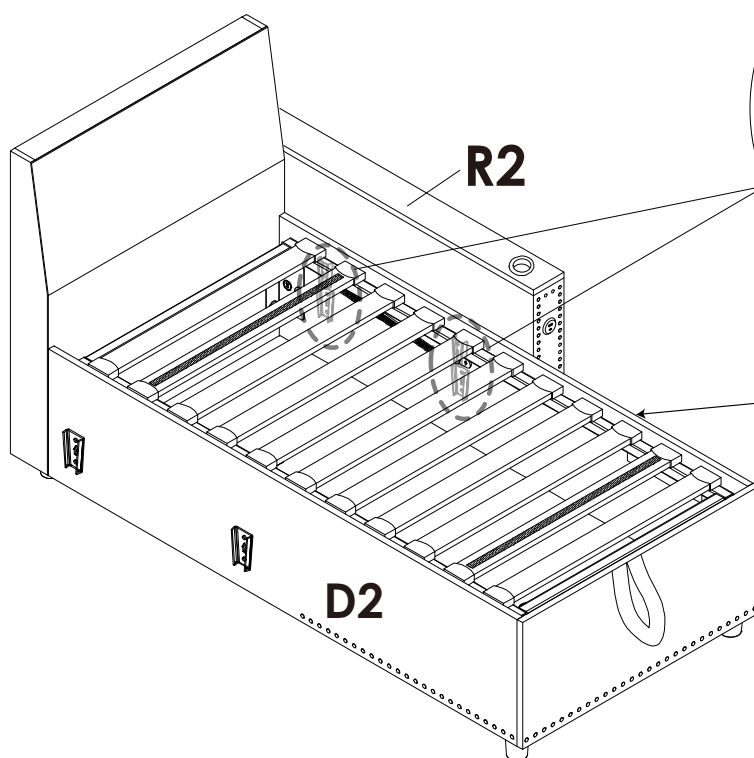
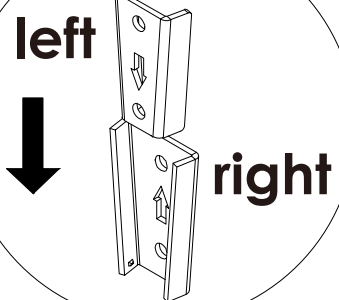
Assembly Steps(EN) / Montageschritte(DE)

Assembly Option ② STEP 26

Please lift the board to easily connect the metal clip.



Assembly Option ② STEP 27

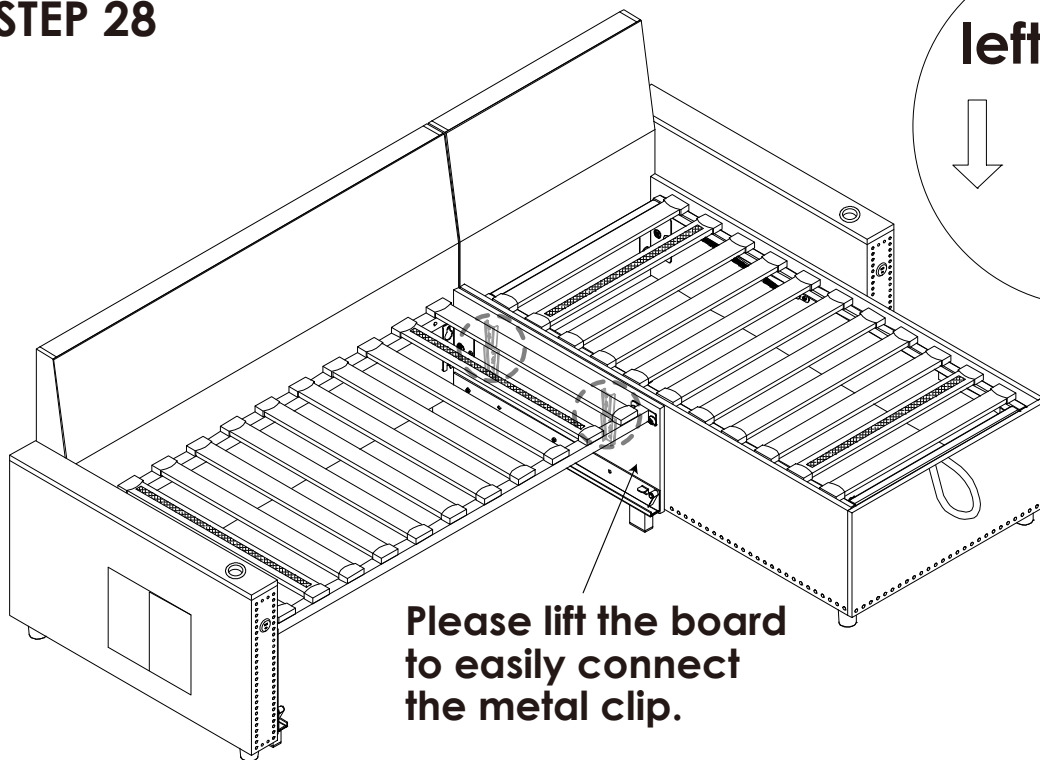


Please lift the board to easily connect the metal clip.

Assembly Steps(EN) / Montageschritte(DE)

Assembly Option ②

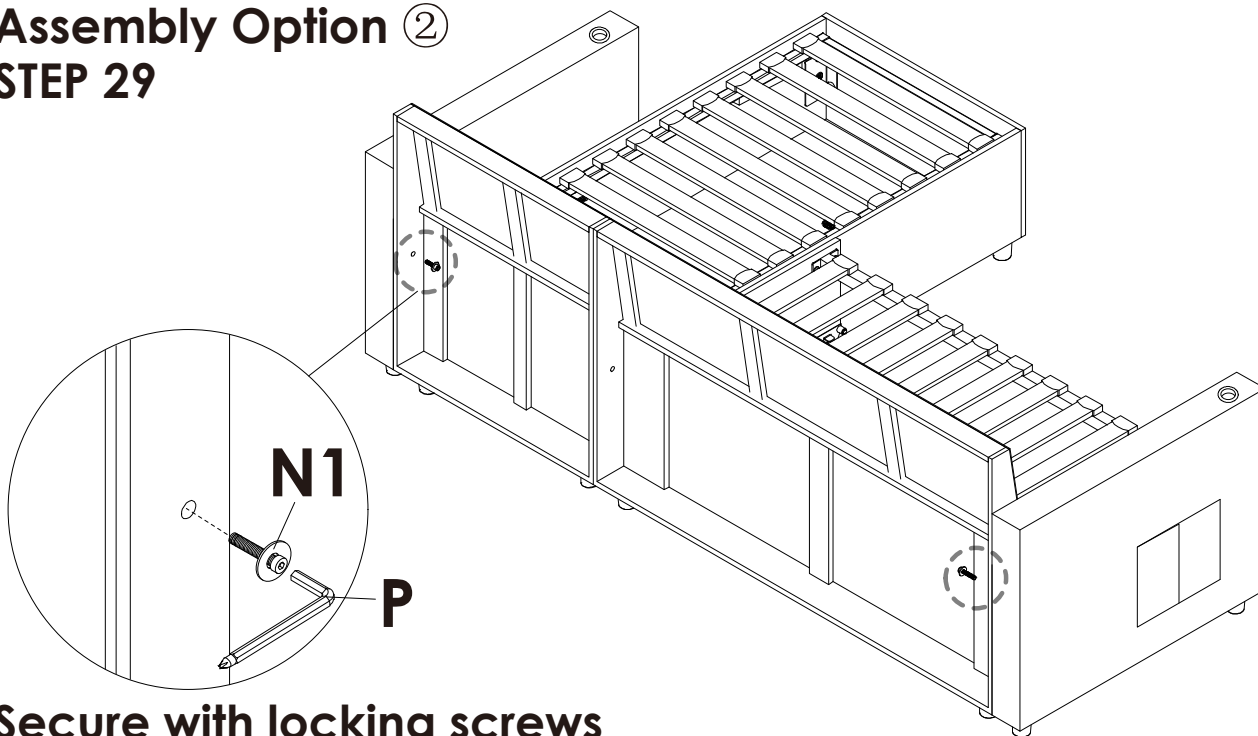
STEP 28





Please lift the board to easily connect the metal clip.

Assembly Option ②

STEP 29



Secure with locking screws

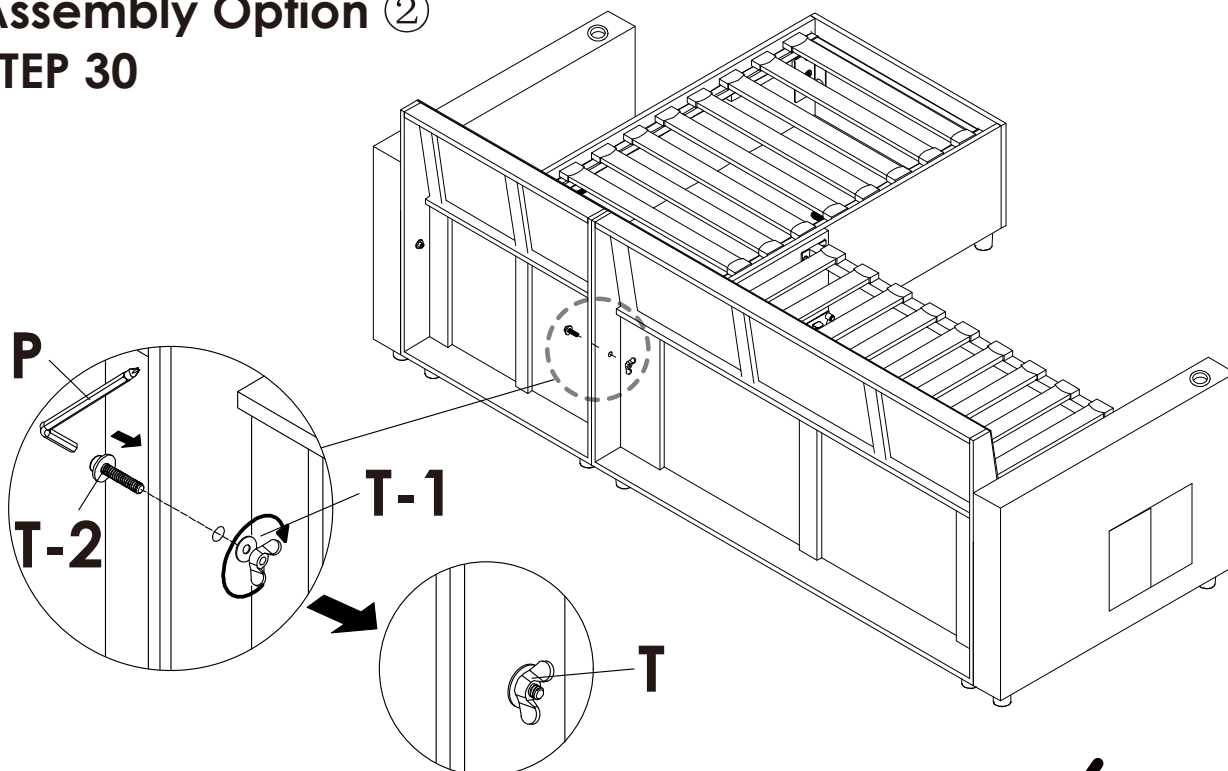
	N1 x 2PCS
	P x 1PC



Assembly Steps(EN) / Montageschritte(DE)

Assembly Option ②

STEP 30



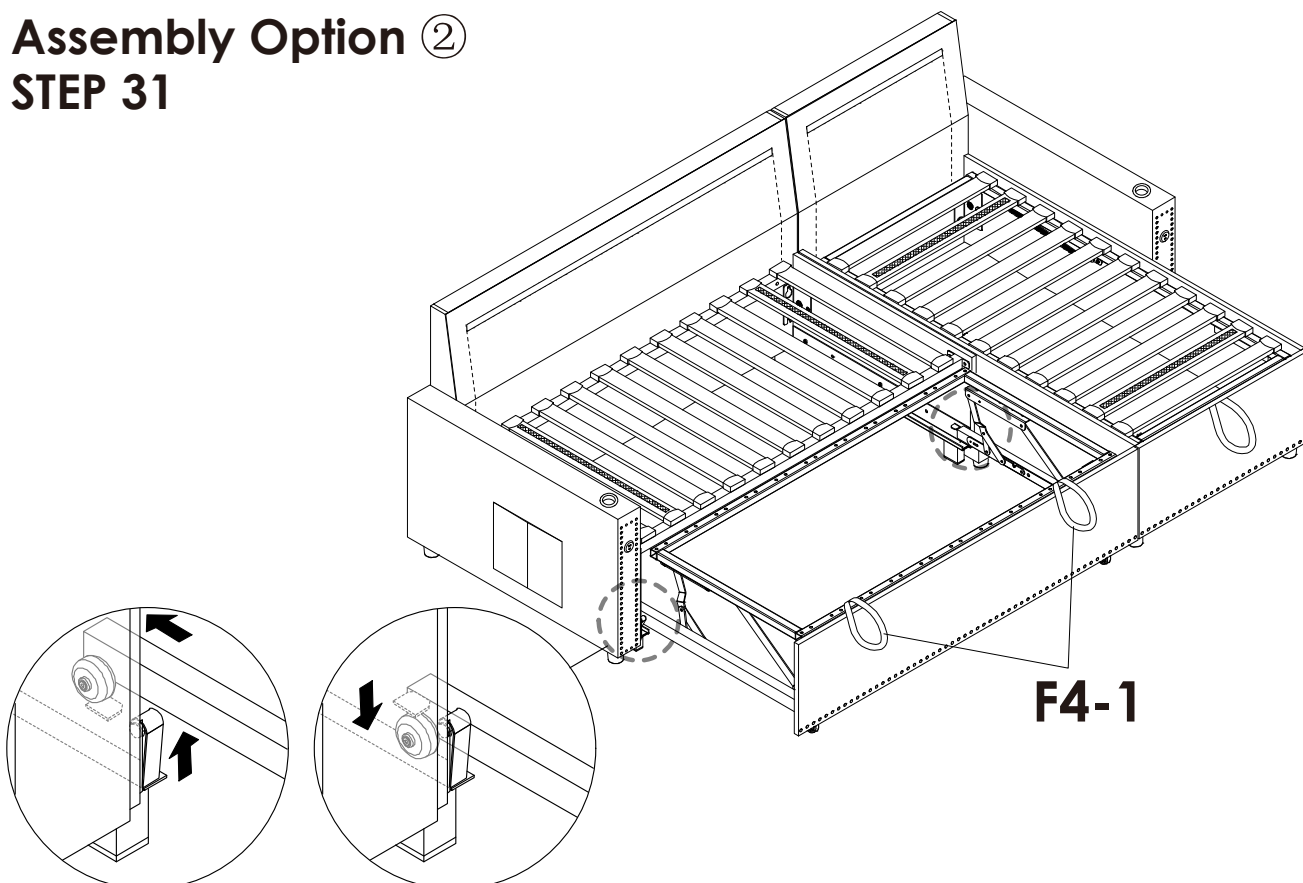
Screw through hole and tighten with butterfly nut.

	P x 1PC
	T x 1PC



Assembly Option ②

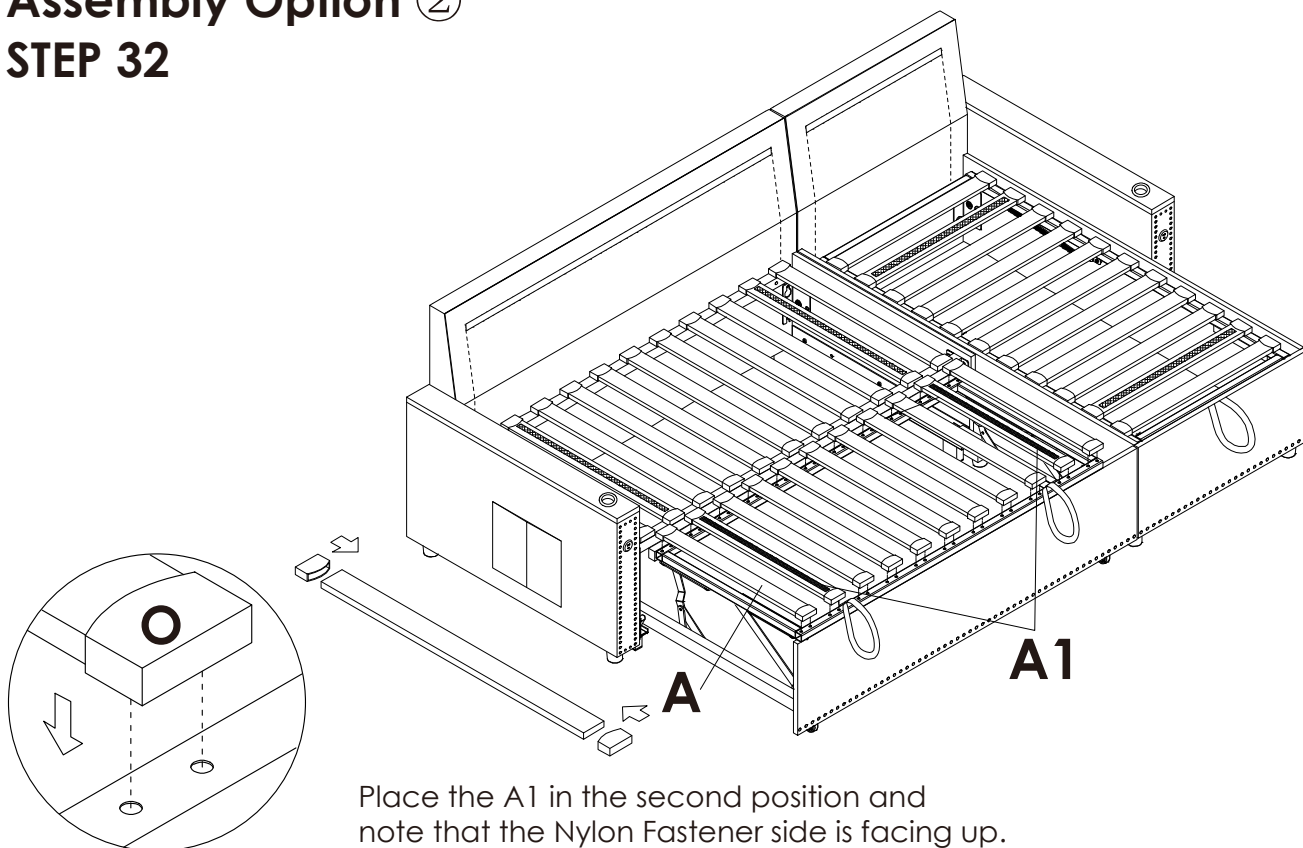
STEP 31



Life it slightly and place it on the track.

Assembly Option ②

STEP 32



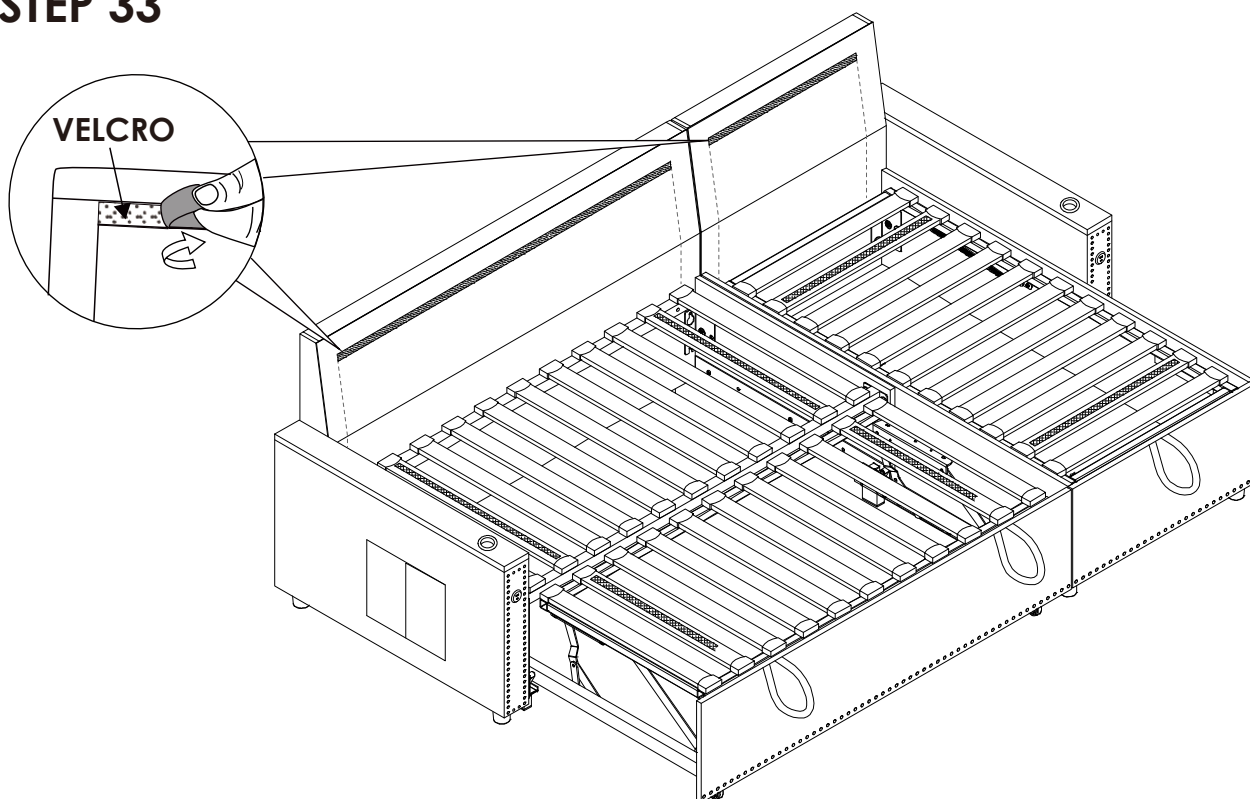
Place the A1 in the second position and note that the Nylon Fastener side is facing up.



○ x 22PCS

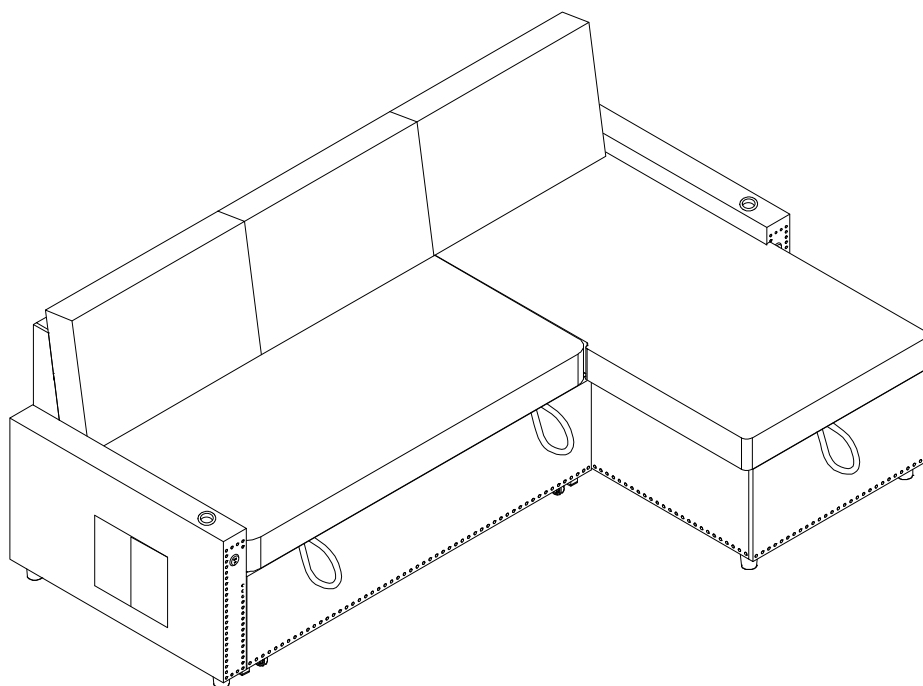
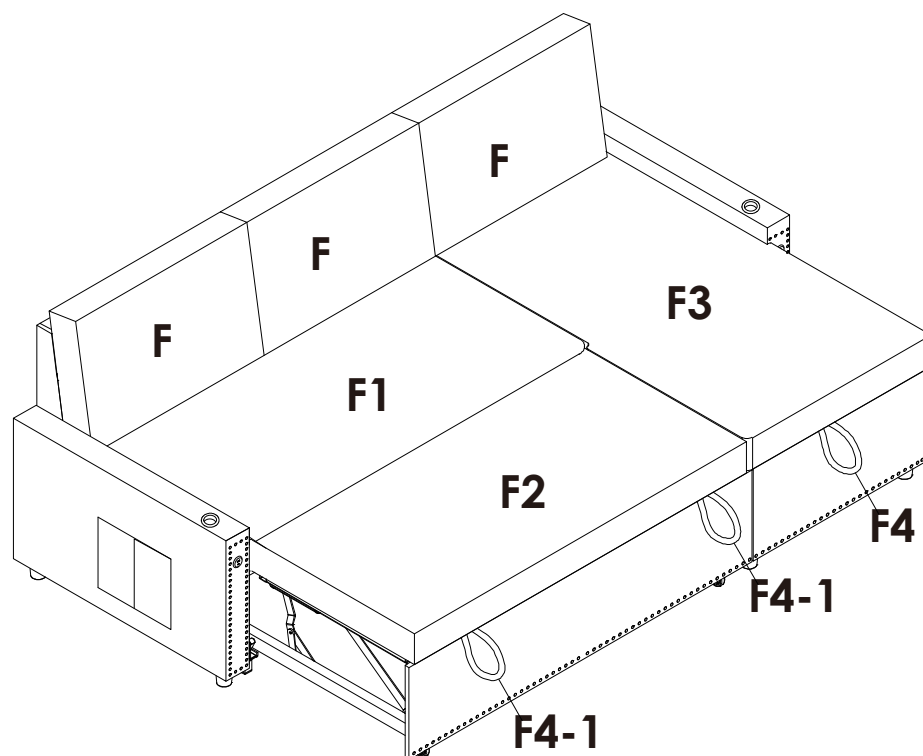
Assembly Option ②

STEP 33



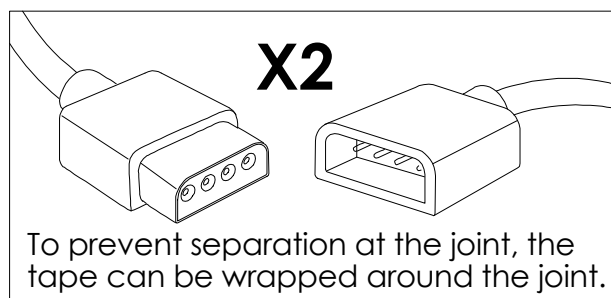
Assembly Option ②

STEP 34

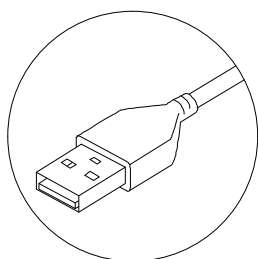


Assembly Steps(EN) / Montageschritte(DE)

STEP 35

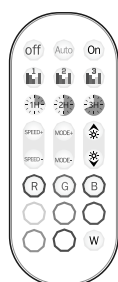
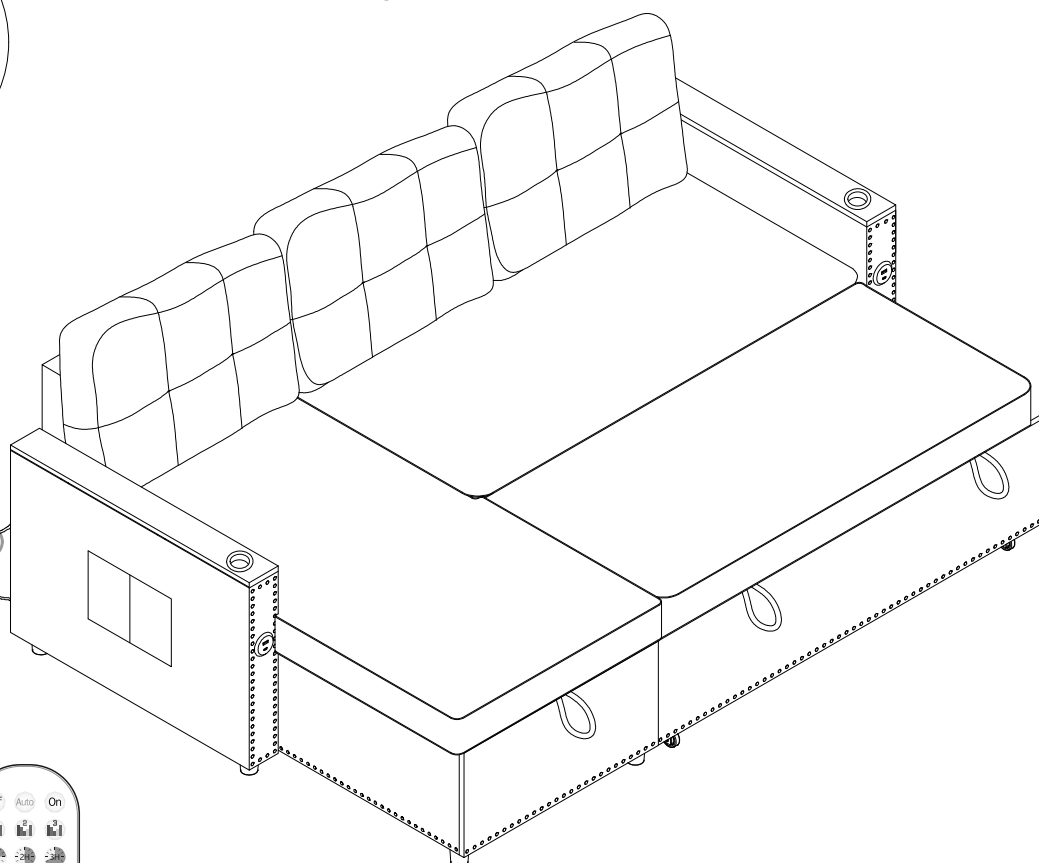


NOTE: The black part of the receiver (X2/X3) needs to be exposed to air in order to better control the LED light.



X2

X3



Remote control

You can use the remote control to control the light. The LED lamp can only be used after the power supply is connected