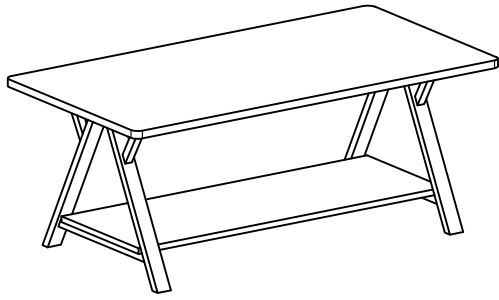


ASSEMBLY INSTRUCTION



A



8*35

8pcs

B



6*30

4pcs

C



8*18

12pcs

D



M5

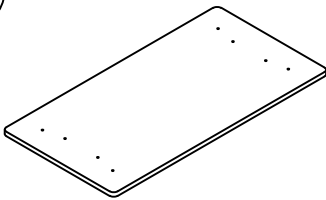
1pcs

E



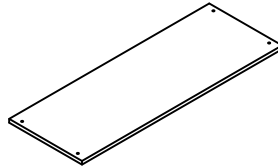
4pcs

①



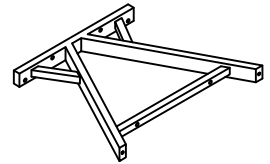
1pcs

②



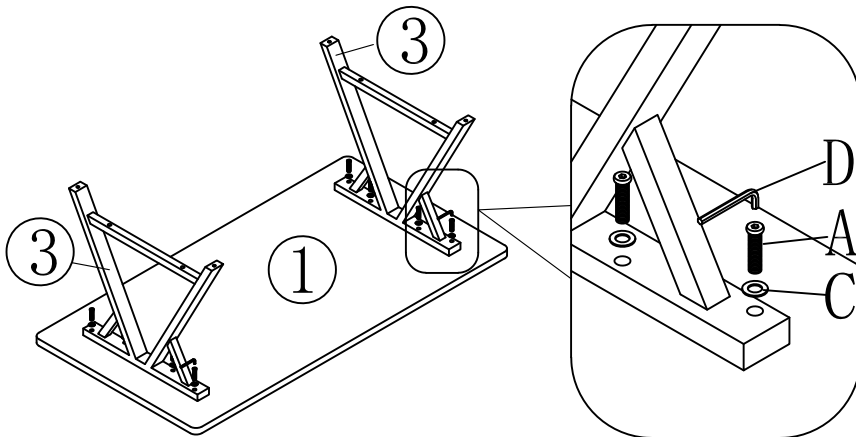
1pcs

③

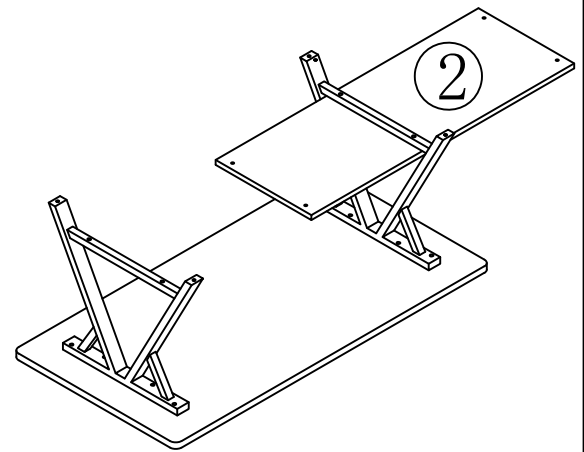


2pcs

STEP1



STEP2



STEP3

