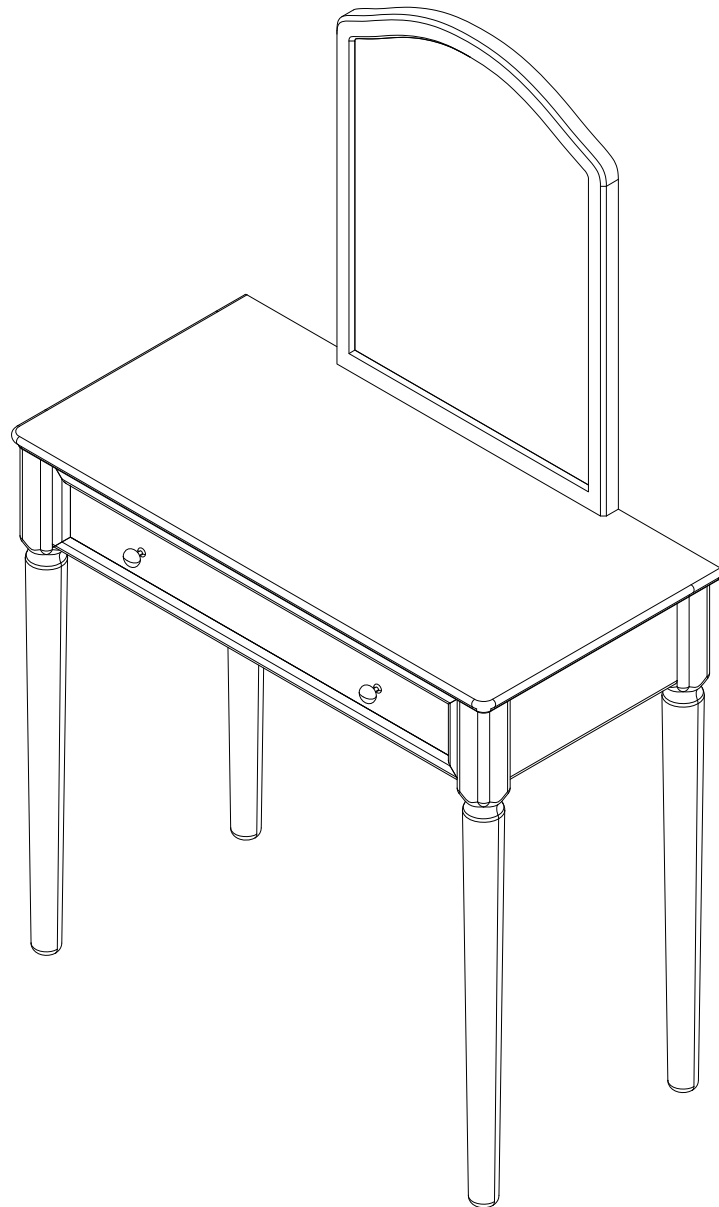


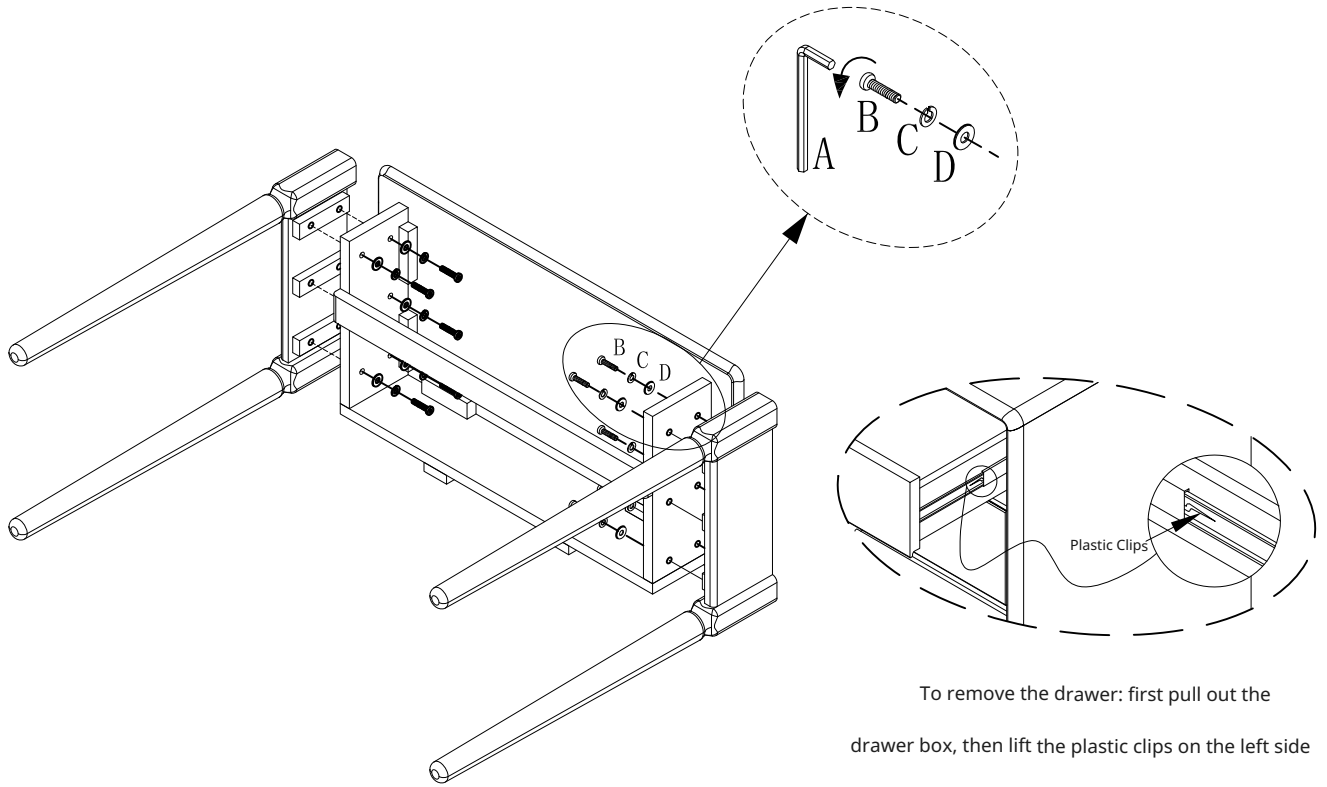
Assembly Instructions



A. Allen Wrench 5# = 1	B. Allen Screws M8 x 35 = 12	C. Spring Washers 8 = 12	D. Flat Washers 8 = 12

The assembly steps are as follows:

Step 1: Remove the drawer, place the product on its side, and assemble the side panels, legs, and skirt board in the order of the hardware.



To remove the drawer: first pull out the drawer box, then lift the plastic clips on the left side upwards and press down on the right side while simultaneously pulling out the drawer box to remove

Step 2: Position the product upright, correctly install the handle, and finally insert the drawer.

