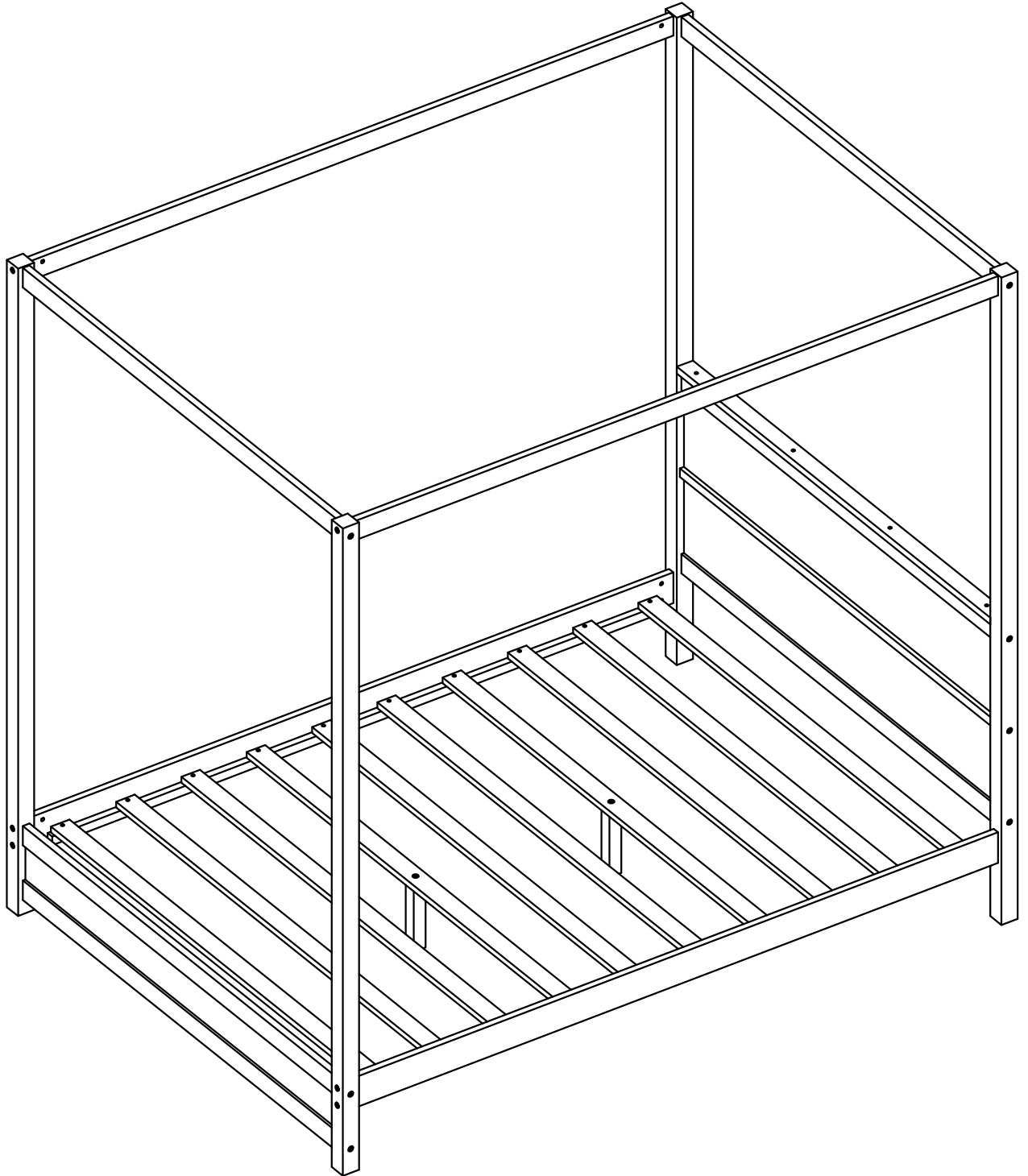


ASSEMBLY INSTRUCTION



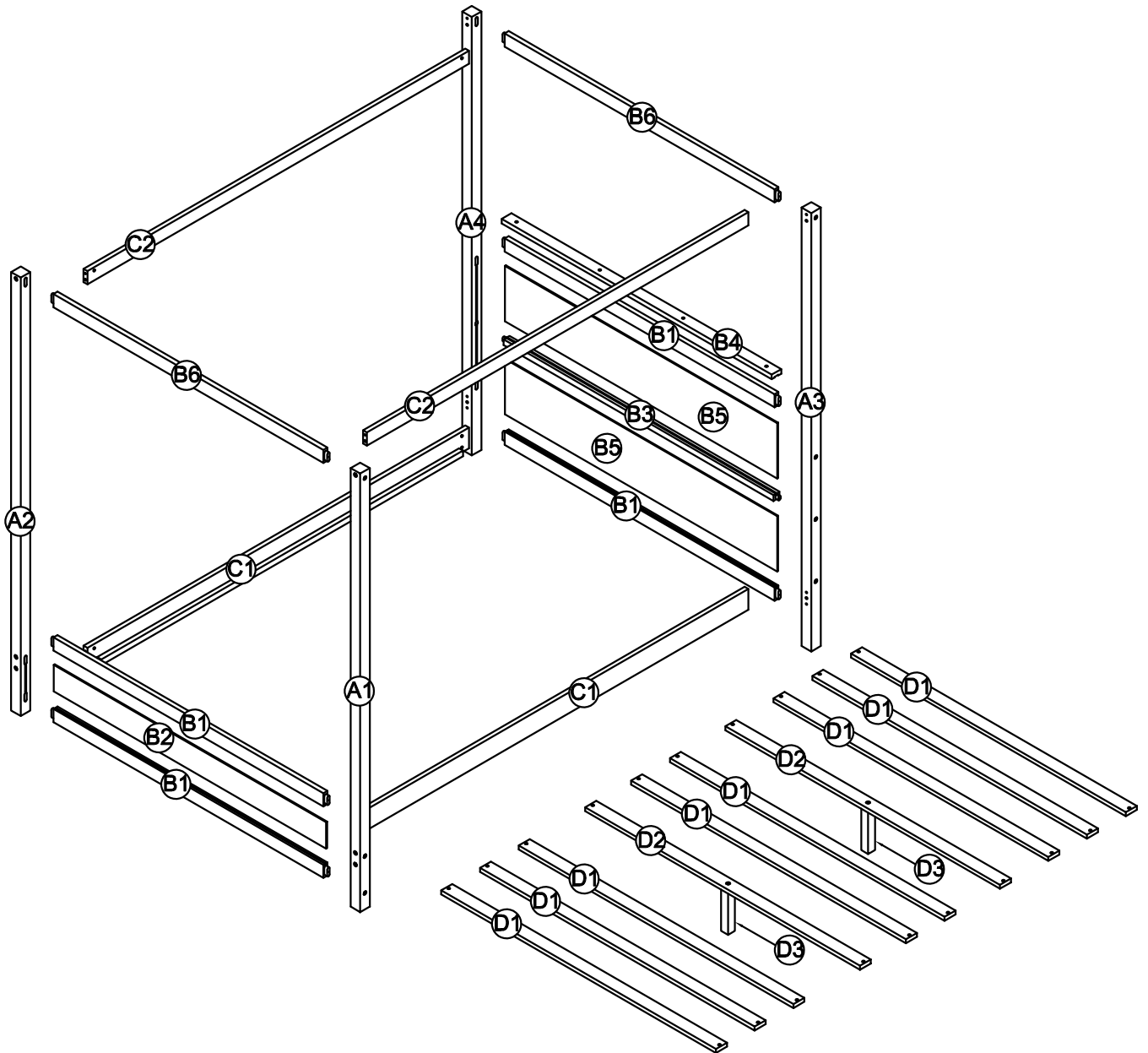
SAFETY WARNINGS AND GENERAL NOTES:

1. Do not use substitute parts. Contact the manufacturer or dealer for replacement parts.
2. Keep these instructions for future reference.
3. We recommend assembling your bed on the shipping carton to protect your floor or carpet.
4. Be certain all staples are out of the box before beginning assembly on the shipping carton.






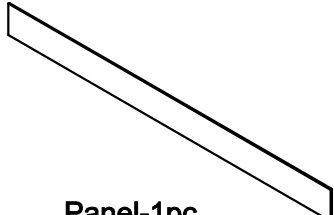

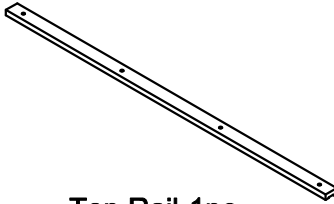
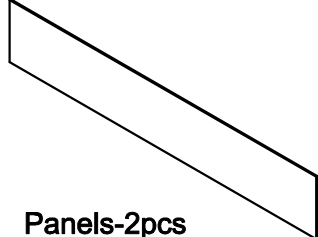
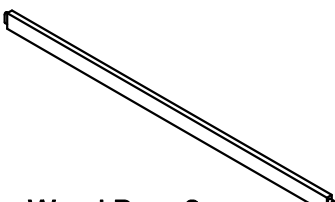
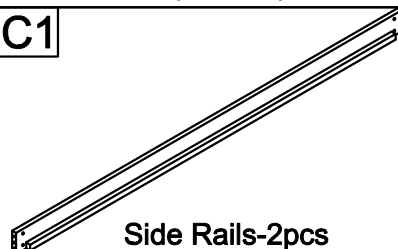
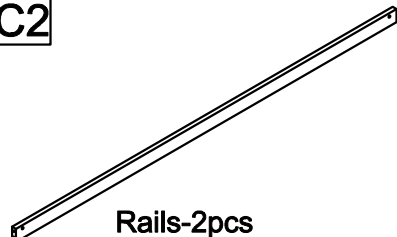
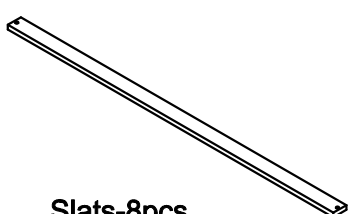
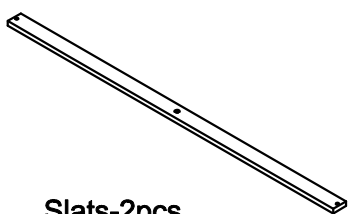

5.Replacement Parts:

Replacement Parts, including additional guardrails, may be obtained from any of our dealers



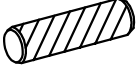
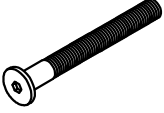



ASSEMBLY INSTRUCTION

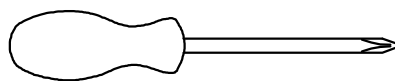


Part List

| | | |
|---|--|--|
| A1  Leg(Front-Left)-1pc | A2  Leg(Back-Left)-1pc | A3  Leg(Front-Right)-1pc |
| A4  Leg(Back-Right)-1pc | B1  Wood Bars-4pcs | B2  Panel-1pc |
| B3  Wood Bar-1pc | B4  Top Rail-1pc | B5  Panels-2pcs |
| B6  Wood Bars-2pcs | C1  Side Rails-2pcs | C2  Rails-2pcs |
| D1  Slats-8pcs | D2  Slats-2pcs | D3  Support Slats-2pcs |

Hardware List

| | | |
|--|---|---|
| <p>1</p>  <p>Screws 1/4"x70 14pcs</p> | <p>2</p>  <p>M4 x 30 mm Wood Screws 24pcs</p> | <p>3</p>  <p>Ø10 x 40 mm Wood dowel 8pcs</p> |
| <p>4</p>  <p>Ø1/4" x 90 mm Hex-Head bolts 12pcs</p> | <p>5</p>  <p>Ø1/4" x 13 mm Horizontal-Hole bolts 12pcs</p> | <p>6</p>  <p>Ø1/4" x 30 mm Hex-Head bolts 2pcs</p> |
| <p>7</p>  <p>Allen Key 1pc</p> | | |



Assembly Tools Required (Not Included)

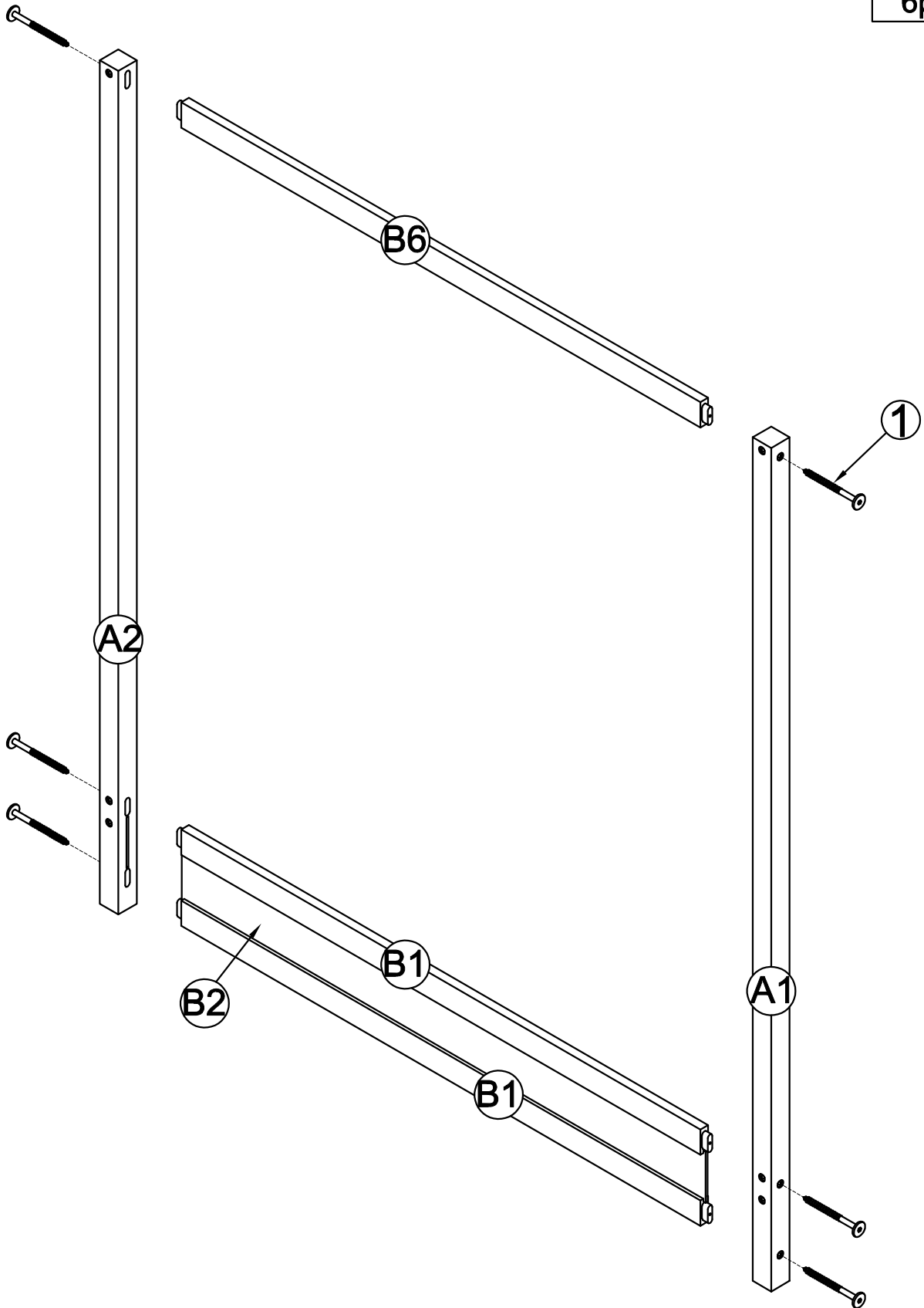
STEP1: Following below illustration:

-Using hardware #1 connect A1,A2 Legs With B1(x2),B6 Wood Bar and B2 Panel

1



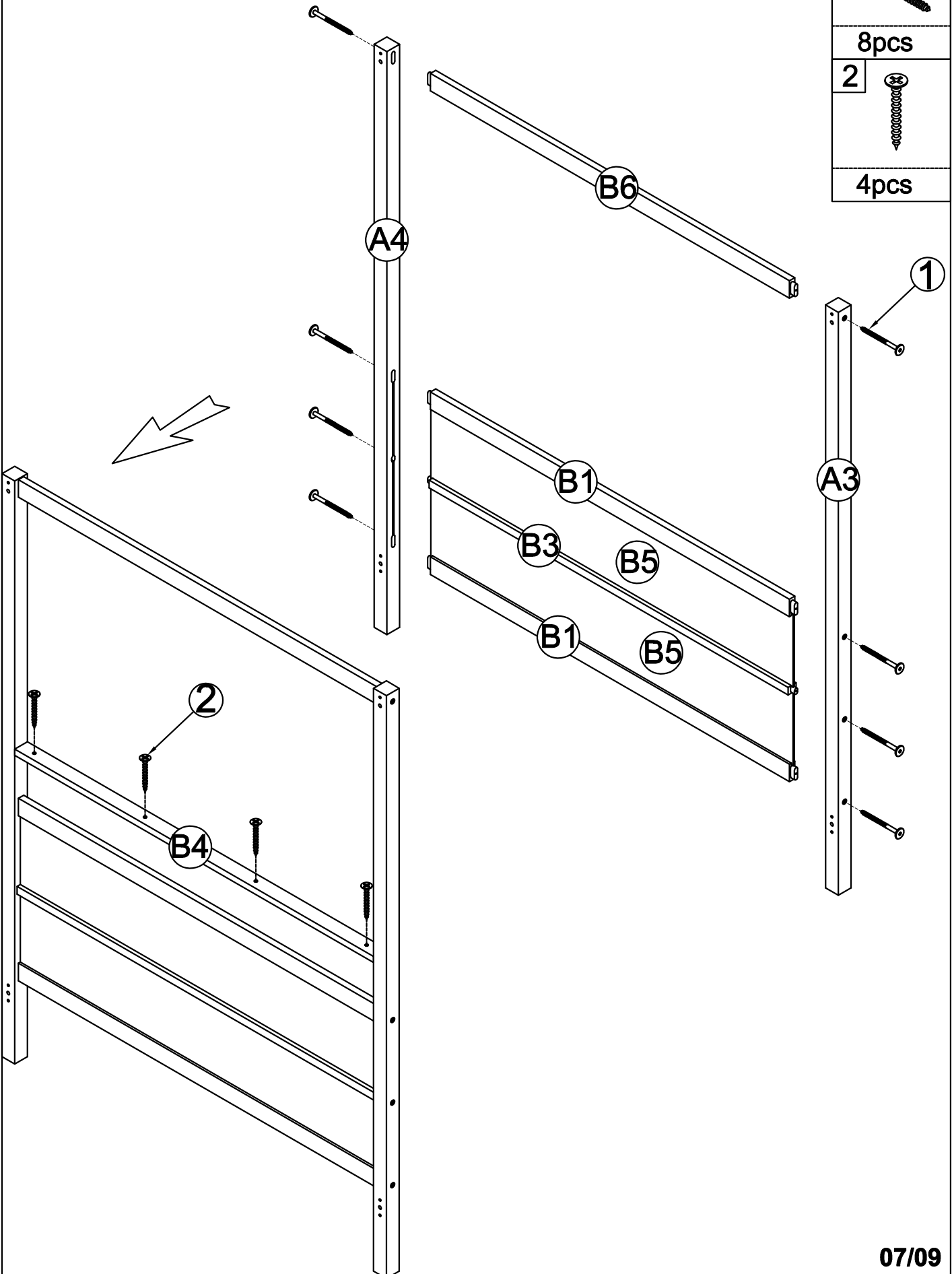
6pcs



STEP 2: Following below illustration:

2.1: Using hardware #1 connect A3, A4 Legs With B1(x2), B3, B6 Wood Bar and B5(x2) Panels


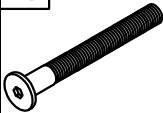

2.2: Using hardware #2 connect B4 Wood bar With Frame (completed on step 2.1)

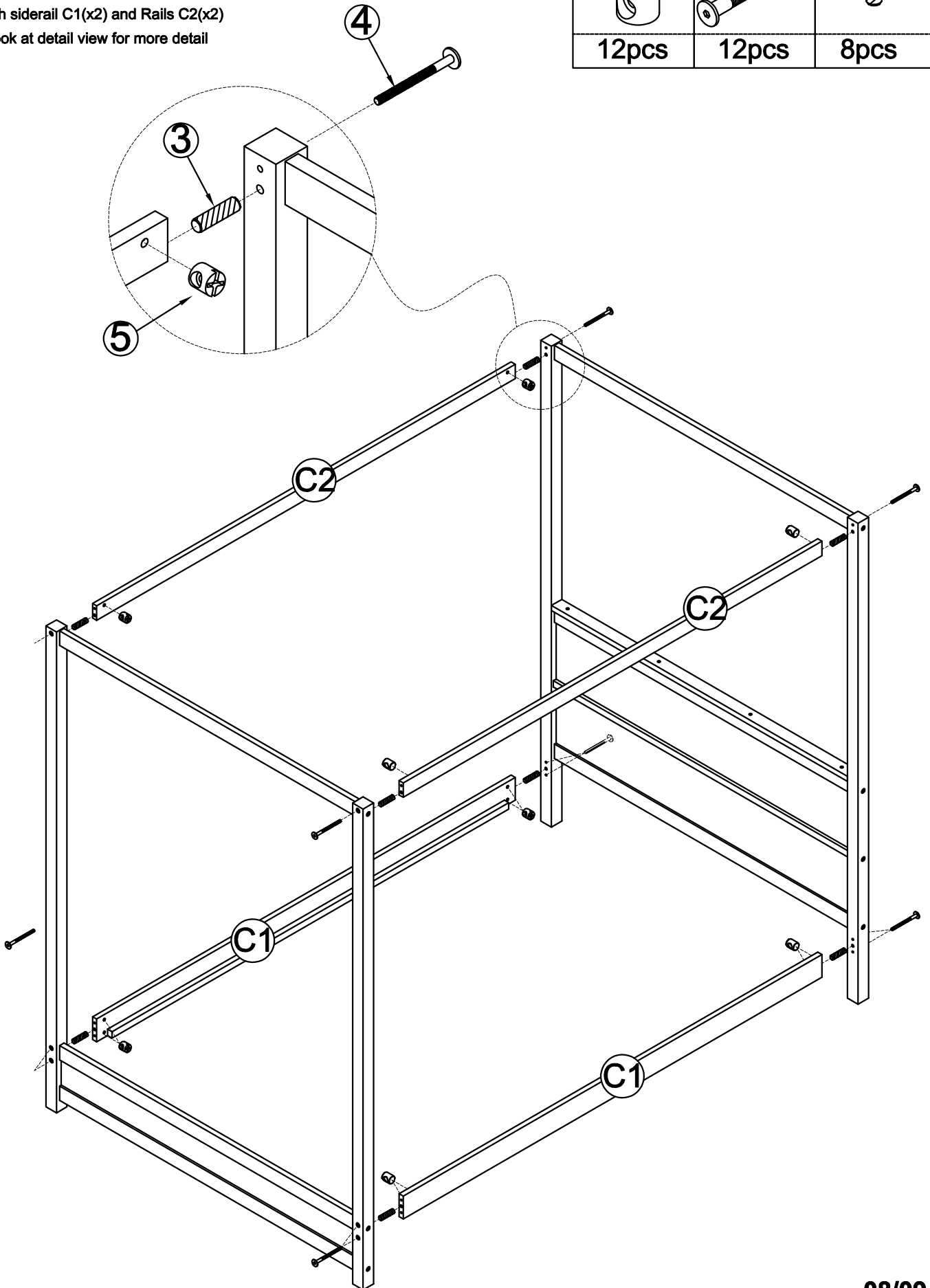


STEP 3: Following below illustration:

-Using hardware #4, #5 and dowel #3 to Assembly Headboard and Footboard with siderail C1(x2) and Rails C2(x2)

-Look at detail view for more detail

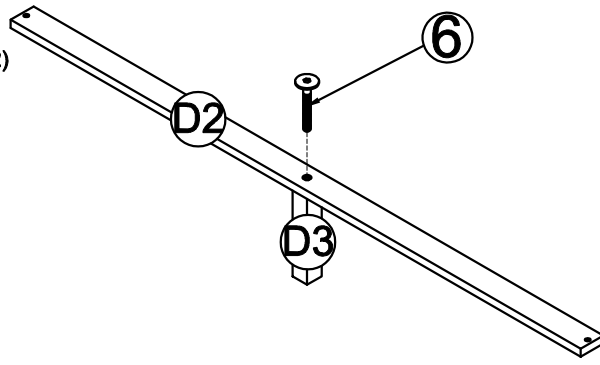
| | | |
|---|---|---|
| 5 | 4 | 3 |
|  |  |  |
| 12pcs | 12pcs | 8pcs |



STEP 4:

Following below illustration:

- Using hardward #6 to Assembly Slats D2(x2) with D3(x2)
- Look at detail view for more detail



6



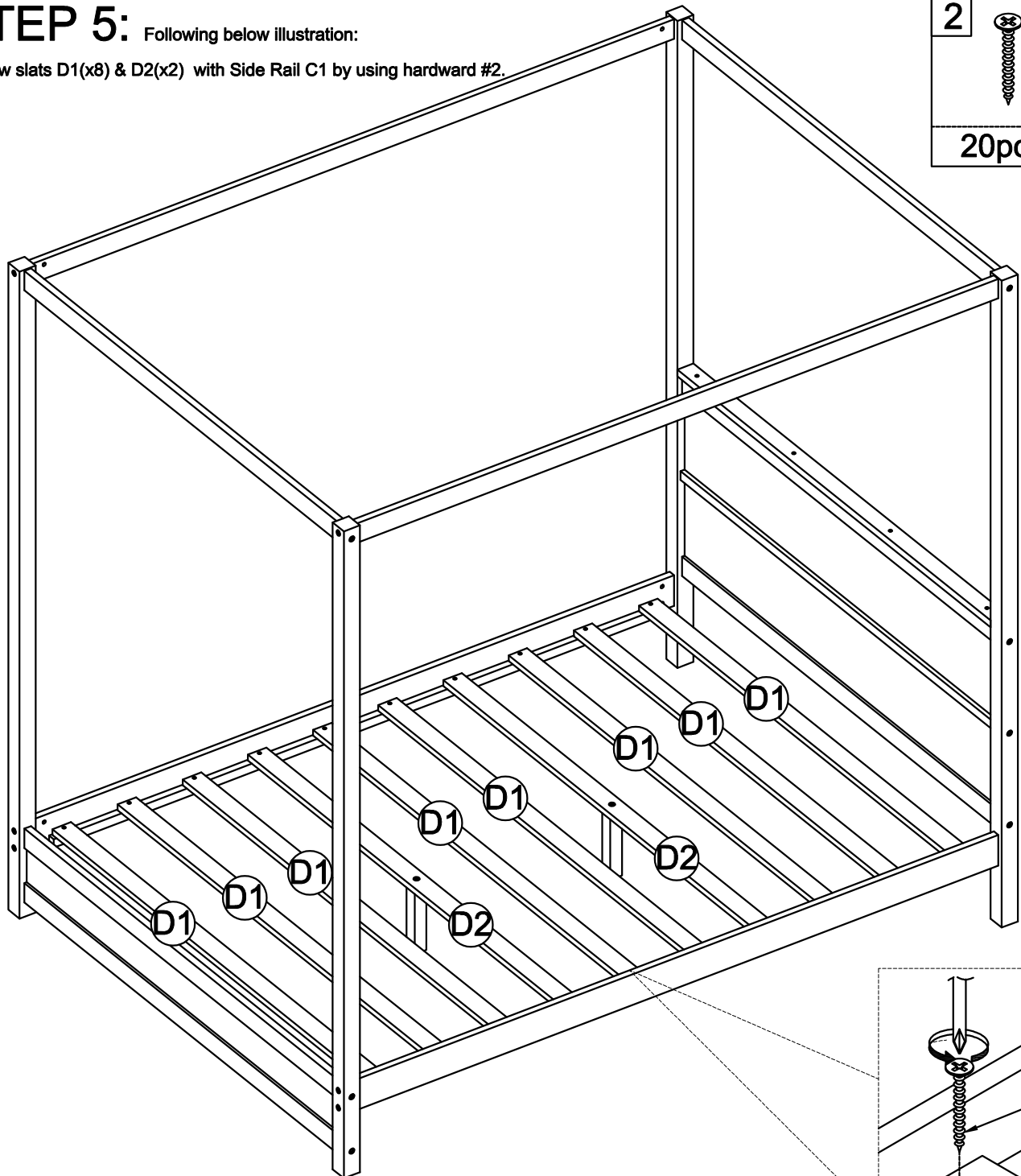
2pcs

x2

STEP 5:

Following below illustration:

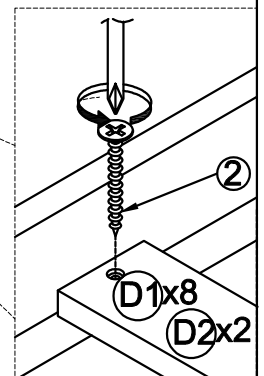
- Screw slats D1(x8) & D2(x2) with Side Rail C1 by using hardward #2.



2



20pcs



09/09