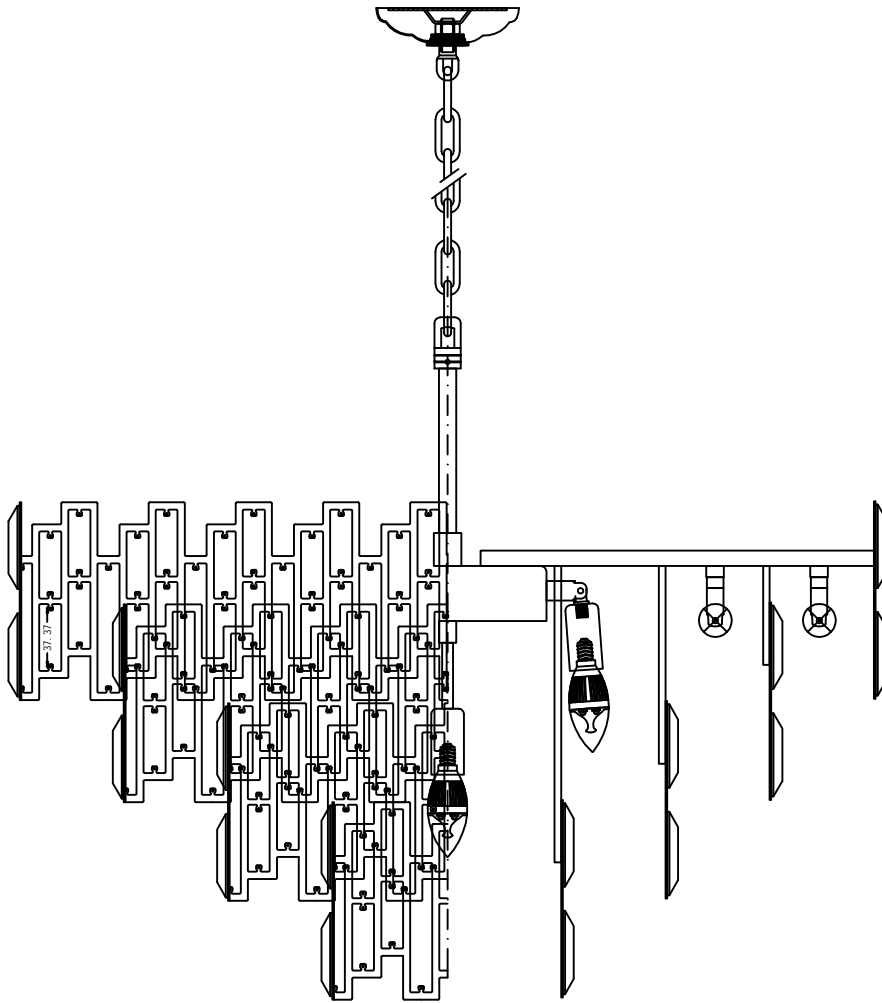


Installation Instruction



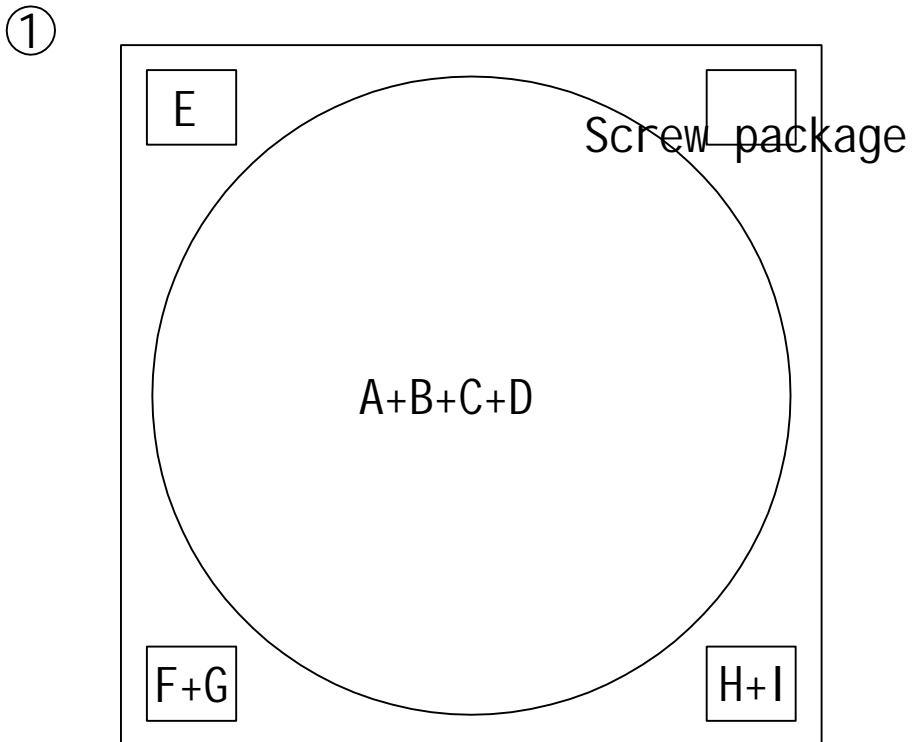
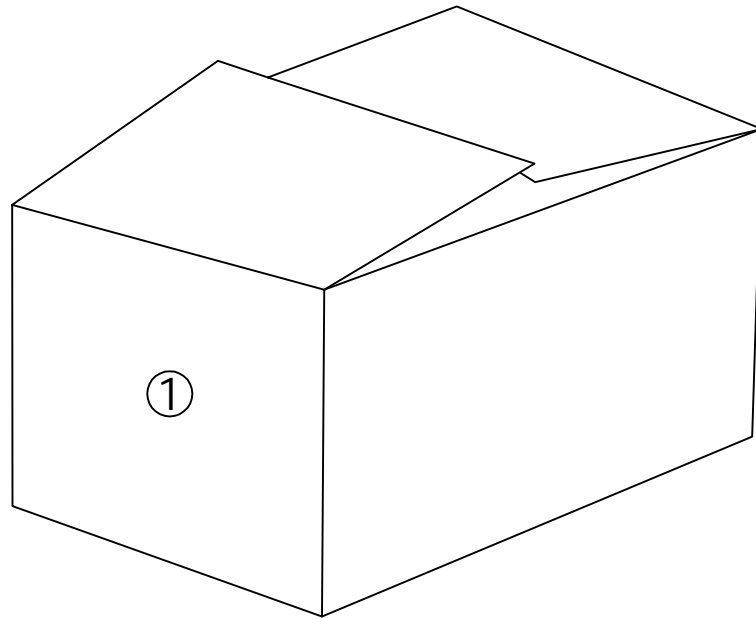
Chandelier Installation and Safety Standards

The installation of a chandelier is a crucial step in ensuring its safety. Chandelier safety standards dictate the process of installation, including the tools and equipment that can be used, the methods of securing the chandelier, and the location of the chandelier.

Securing the chandelier is a crucial step in the installation process. Chandelier safety standards dictate that the chandelier must be securely attached to a suitable support, such as a ceiling joist, to prevent it from falling. This includes ensuring that the support is strong enough to bear the weight of the chandelier, and that the chandelier is properly balanced to prevent it from tipping or swaying.

Furthermore, the chandelier must be secured using suitable hardware, such as screws or bolts, that are strong enough to bear its weight. The hardware must be properly installed and tightened to ensure that the chandelier is securely attached. Regular inspections of the hardware are also necessary to detect and repair any damage or wear promptly.

Packaging Schematic



Internal packing list:

1, The first layer of light body + light body accessories + screw package

Before assembly:

Please read all the instructions carefully

Keep the instruction manual for future reference.

Separate and inventory all parts and hardware

Read each step carefully and follow the correct installation sequence

To avoid losing any parts during assembly, we recommend not moving the lamp before completing the assembly. Always place the product on a flat, firm, and stable surface

Keep all small parts and packaging materials of this product away from babies and children, as they may cause serious injury

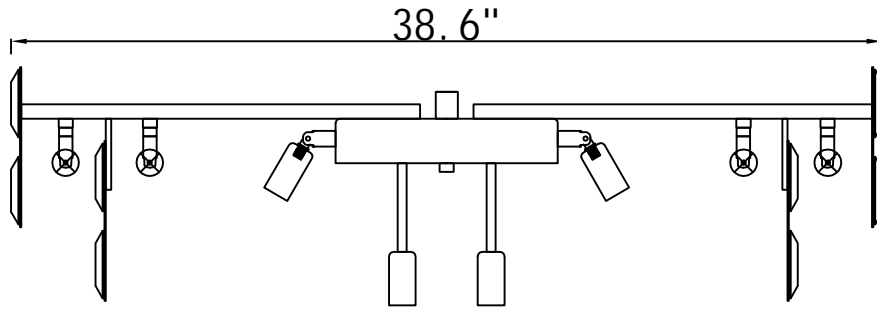
Accessory List



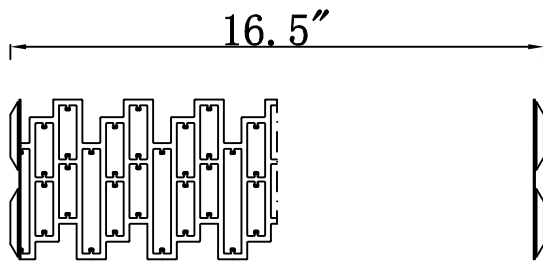
4pcs



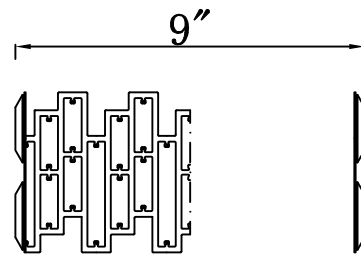
2+2pcs



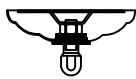
A. Lamp Body-1pcs



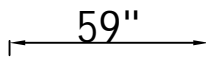
B. Lamp Body-1pcs



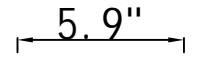
C. Lamp Body-1pcs



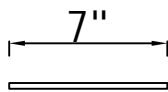
D. Canopy-1pcs



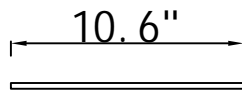
E. Chain-2pcs



F. pole-1pcs



G. Square Tube
-6pcs



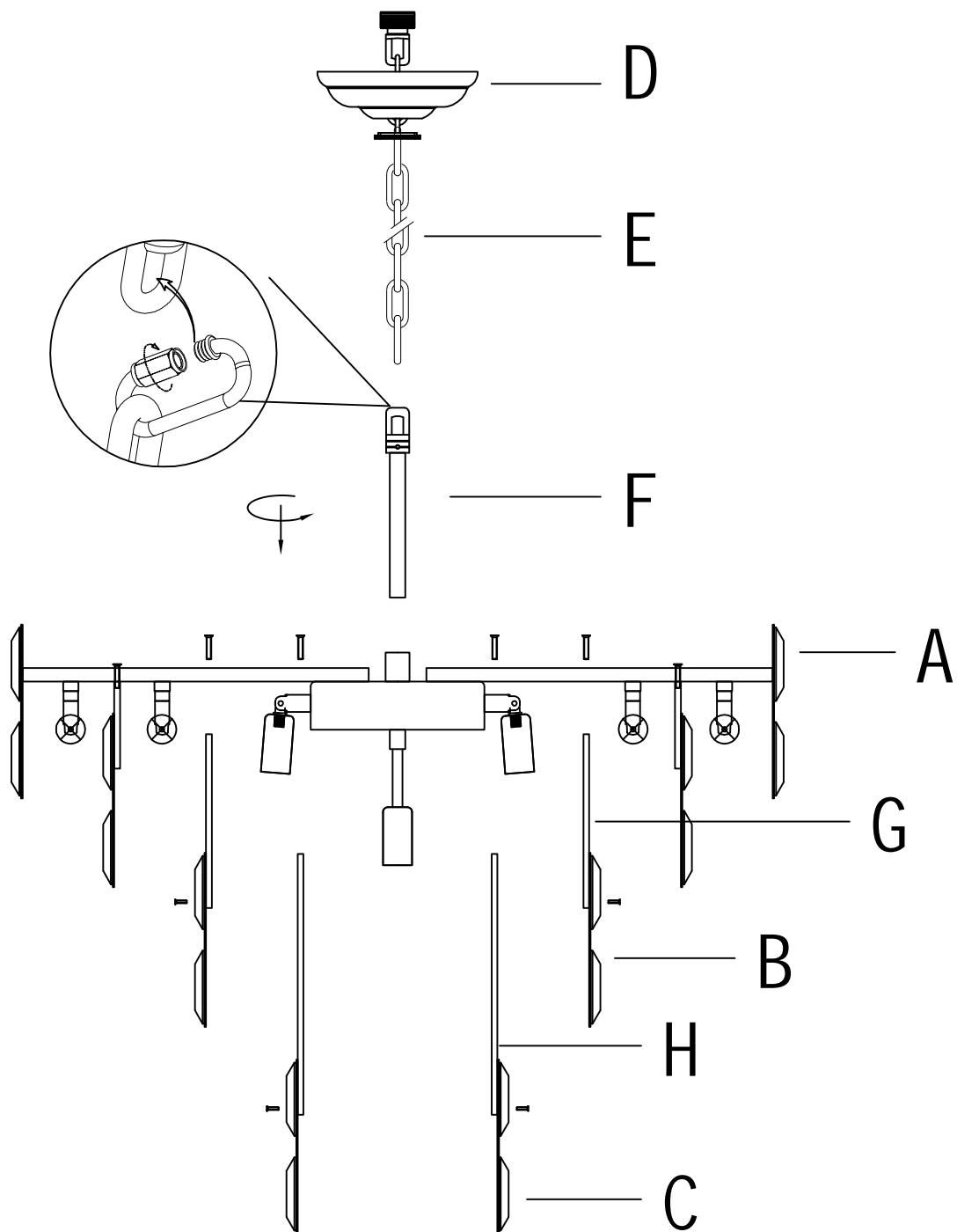
H. Square Tube
-3pcs



Cloth cover-2pcs

Lamp Body Assembly:

- (1) Find the lamp body from the sorting list!
- (2), Connect the A body lamp holder and B body lamp holder with G square tube connecting rod according to the picture.
- (3), Connect the A body light stand to the C body light stand with the H square tube connecting rod according to the diagram.
- (4) Thread the power cord through the F boom and torque it to the A body light stand.
- (5) Connect the light body to the E ceiling pendant clock with the F pin chain and insert the power cord into the E ceiling pendant clock.



Lamp Body Assembly:

- (1) take out the wall plate and link with the wall.
- (2) Link the main power cord to the main cord of the light body and lock the ceiling plate.
- (3) Screw 19pcs E12 bulbs into the light head.
- (4) Installation completed.

