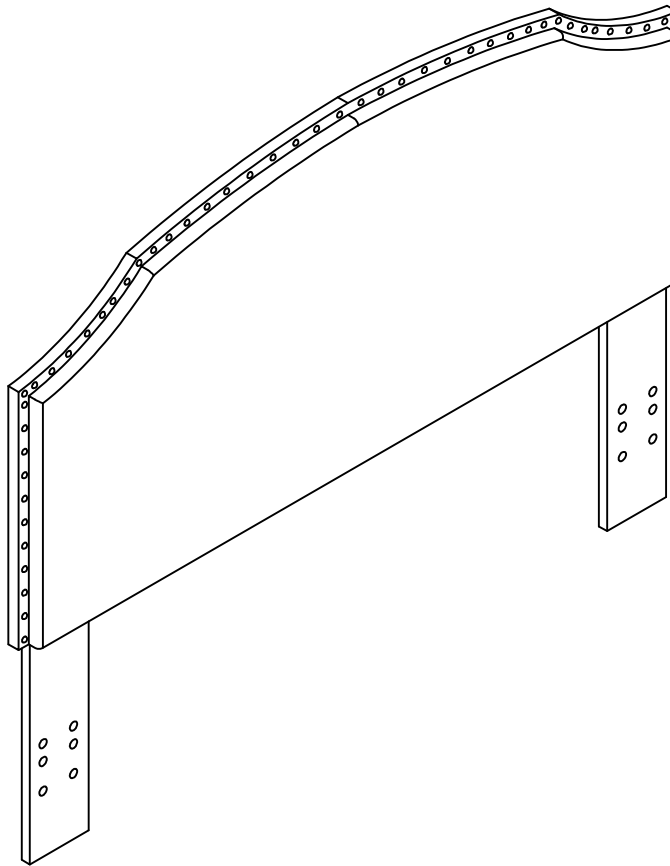


Assembly Instructions



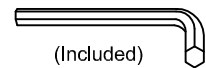
ASSEMBLY RATING

The Assembly Rating is a 5-point system that shows the degree of effort needed in assembling a specific product (with 1 being easy and 5 being difficult). For some products, two persons are recommended.

EASY  DIFFICULT

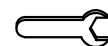
Tools Required For Assembly:

Allen Wrench

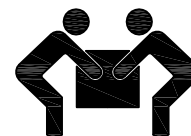


(Included)

Wrench



(Included)

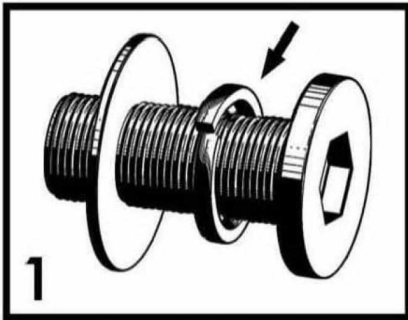


2 PERSONS RECOMMENDED

ASSEMBLY & CARE ADVICE

FOR YOUR FURNITURE TO LAST, CORRECT ASSEMBLY AND PROPER MAINTENANCE ARE NECESSARY. PLEASE FOLLOW THE INFORMATION PROVIDED BELOW TO FULLY ENJOY YOUR FURNITURE.

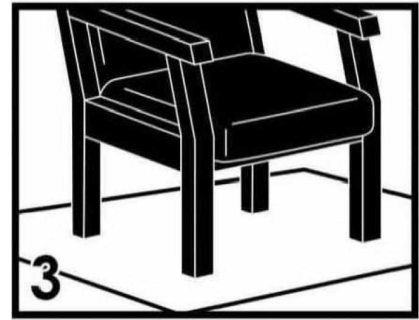
BASIC ASSEMBLY TECHNIQUES



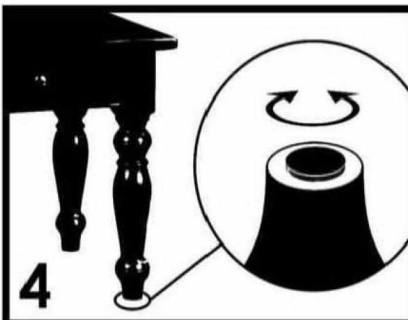
When lock or spring washer is used in an assembly, please make sure the lock or spring washer is placed between the larger flat washer and the head of the screw or bolt.



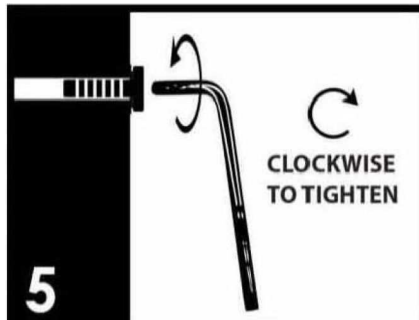
Position each part correctly and insert screws or bolts into their respective holes by hand tighten or using the proper hand tool. Only tighten when step is completed or when instructed to do so.



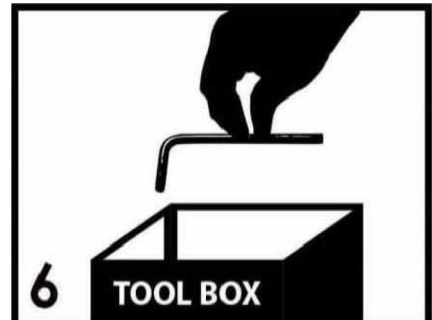
Use cardboard or carpet area when assembling furniture to prevent scratches. Make sure the furniture rests on a flat and level surface with each leg evenly touching the floor.



Some furniture comes with height adjustment knobs underneath each leg. To lower or to raise each leg, you need to turn clockwise or counterclockwise, respectively.

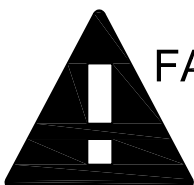


Make sure all parts are properly aligned, then use the appropriate hand tool to completely tighten the bolts or screws. Do not use power tools and do not overtighten.

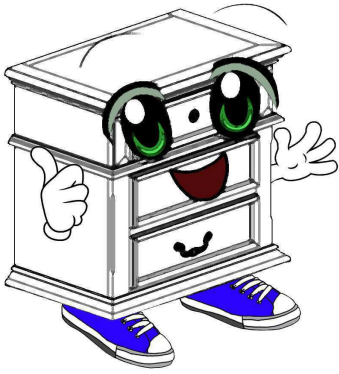


Save the instructions and store the Allen wrench or any supplied tool for later maintenance. After two weeks, check and tighten any loose hardware and repeat again every six months thereafter.

IT IS THE USER'S RESPONSIBILITY TO MAINTAIN THE FURNITURE. THE HARDWARE MAY LOOSEN OVER TIME AND MAY CAUSE THE FURNITURE TO BE WOBBLY AND UNABLE TO SUPPORT ITS INTENDED WEIGHT CAPACITY. THIS MAY LEAD TO COLLAPSE AND MAY CAUSE SERIOUS INJURY.



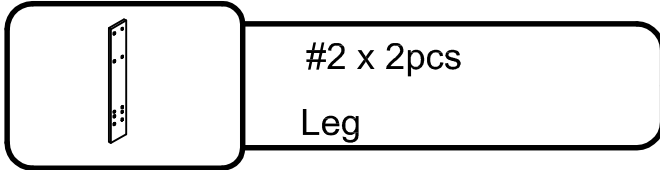
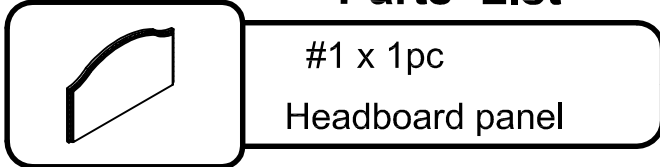
FAILURE TO FOLLOW THE GUIDELINES ABOVE MAY RESULT IN INJURY AND/OR PROPERTY DAMAGE.



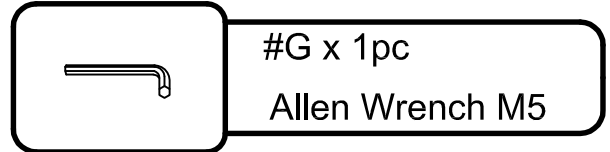
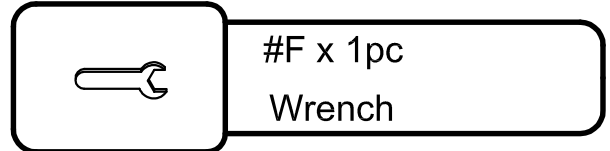
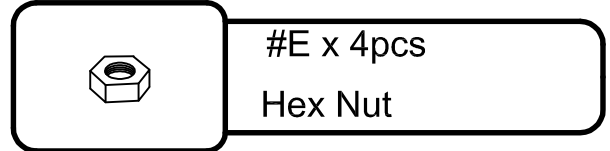
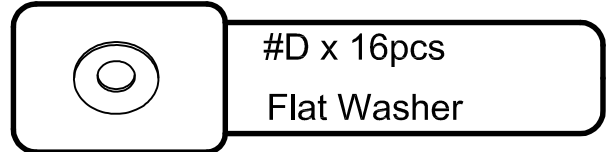
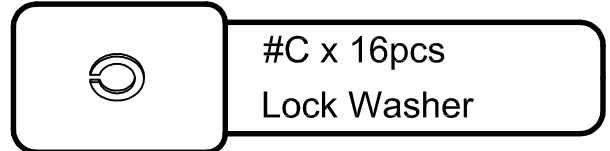
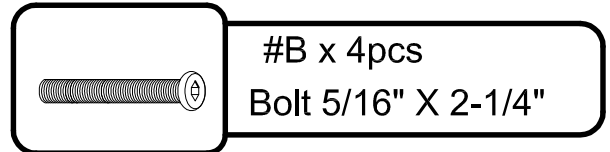
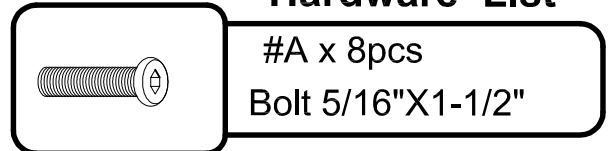
Before you begin, please read Page 2 of "Assembly and Care Advice".

And remember, do not tighten until each step is completed or instructed.

Parts List

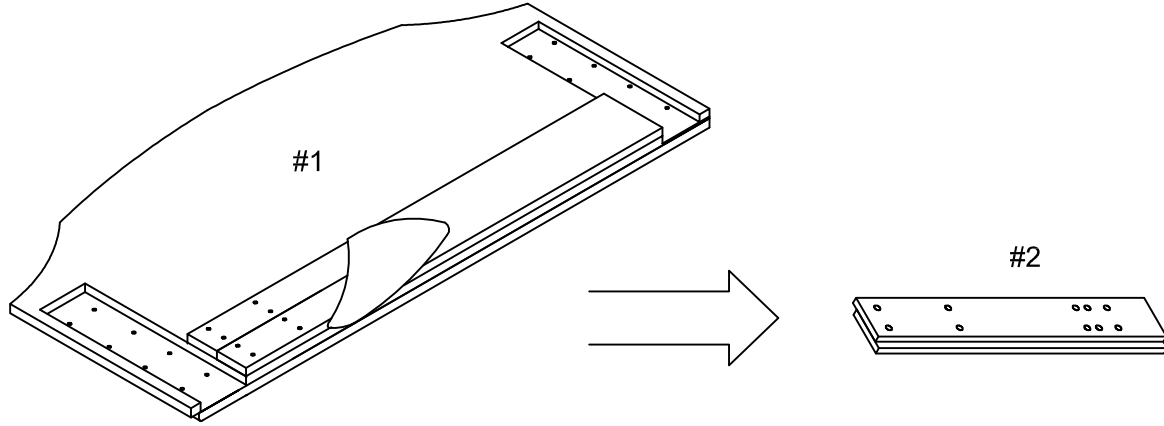


Hardware List

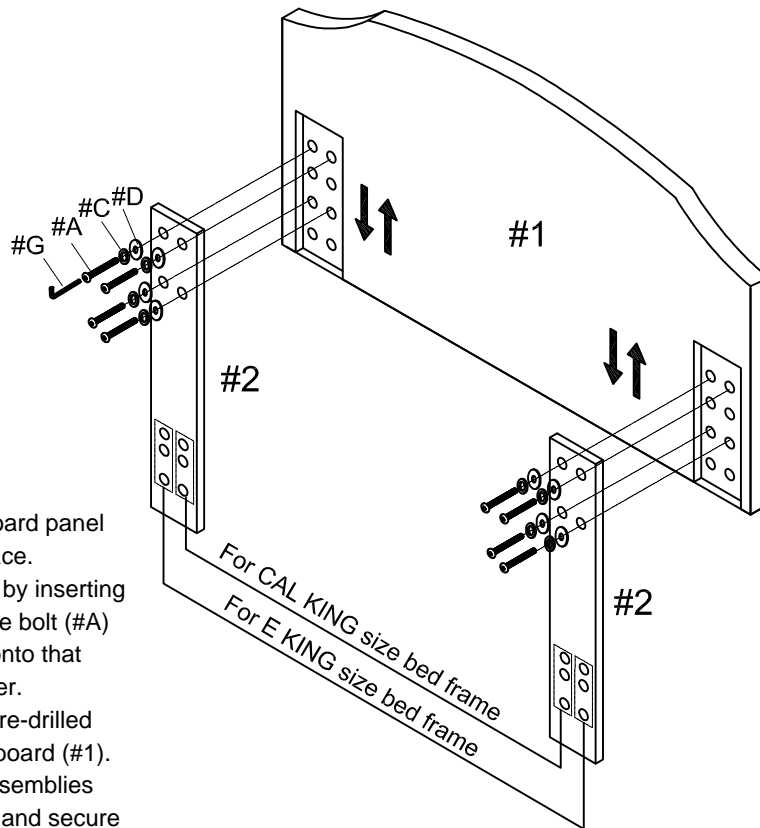




Open Velcro to remove legs hardware pack from behind the headboard (#1)



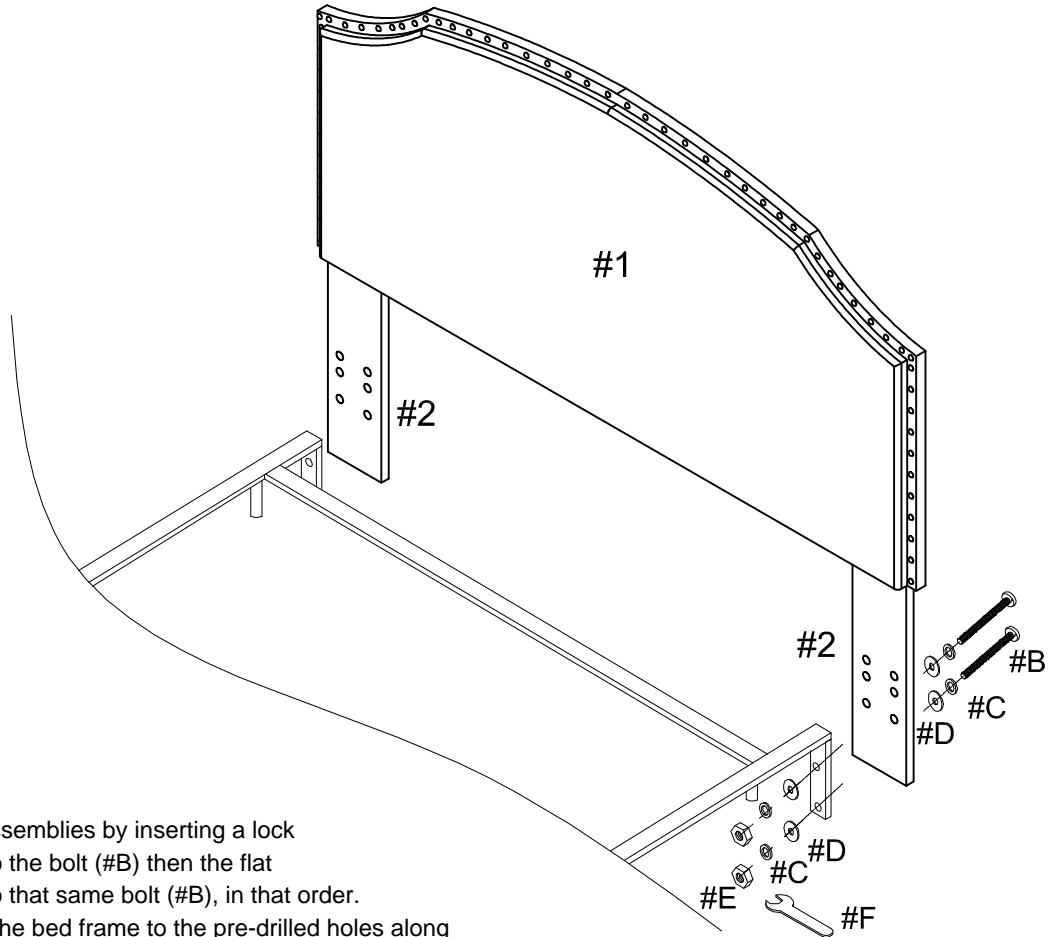
#A x 8pcs
#C x 8pcs
#D x 8pcs



- I. Carefully place the headboard panel (#1) onto a protected surface.
- II. Prepare 8 bolt assemblies by inserting a lock washer (#C) onto the bolt (#A) then the flat washer (#D) onto that same bolt (#A), in that order.
- III. Align the legs (#2) to the pre-drilled holes located on the headboard (#1). Insert the prepared bolt assemblies in the the pre-drilled holes and secure using the Allen wrench (#G).



#B x 4pcs
#C x 8pcs
#D x 8pcs
#E x 4pcs



- I. Prepare 4 bolt assemblies by inserting a lock washer (#C) onto the bolt (#B) then the flat washer (#D) onto that same bolt (#B), in that order.
- II. Align the end of the bed frame to the pre-drilled holes along the front of the legs (#2). Insert the prepared bolt assemblies from the back. Once inserted, apply the flat washer (#D) then the lock washer (#C) and the hex nut (#E) in that order onto the other ends of the bolts. Secure using the wrench (#F).