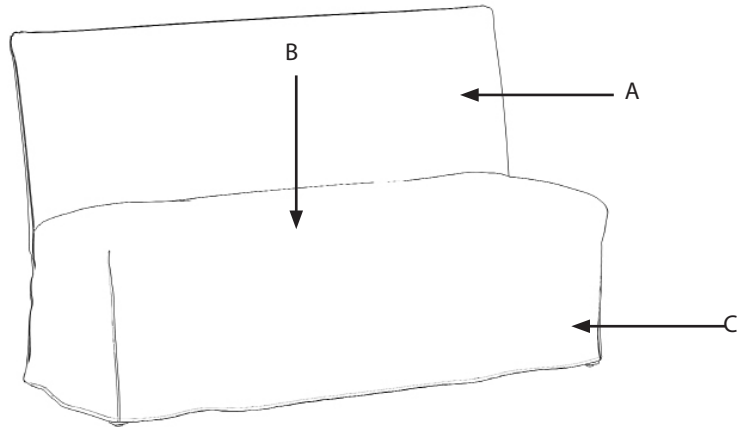


DINING BANQUETTE ASSEMBLY





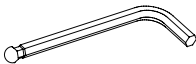

Components

ITEM	DESCRIPTION	QTY
A	Back	1
B	Seat	1
C	Legs	2

Please note: actual product may look different than illustration.



HARDWARE

- (H1) x 4 — 2 1/4" bolt 
- (H2) x 8 — spring washer 
- (H3) x 8 — 3/4" flat washer 
- (H4) x 4 — 3" bolt 
- (H5) x 1 — L wrench 
- (H7) x 4 — 1 3/4" bolt 

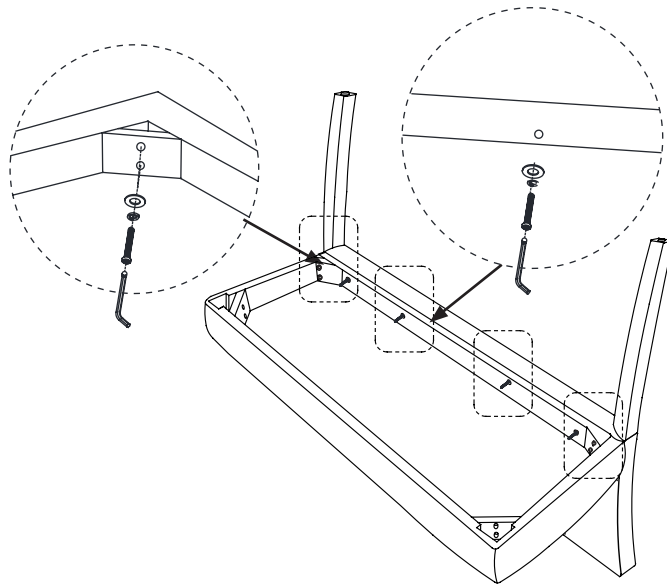
Please note: you will need a wrench to complete this assembly.

Step 1

1.1

Attach (B) seat to (A) back using (H4) bolts, (H2) spring washers and (H3) flat washers. Tighten using (H5) wrench.

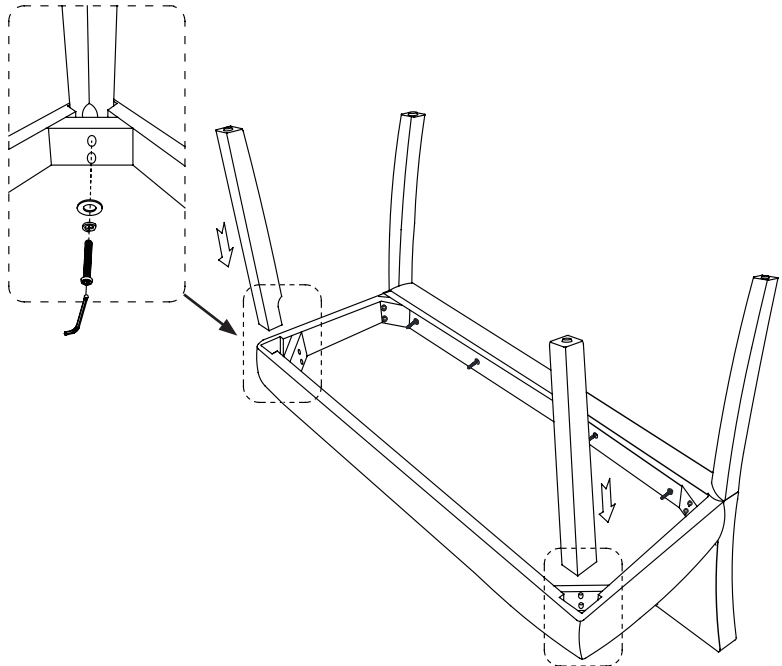
Please note: Make sure the bottoms of (A,B) are flush.



1.2

Insert (C) legs to (B) seat and attach using (H1) bolts, (H2) spring washers and (H3) flat washers.

Please note: leave bolts loose until Step 3.1



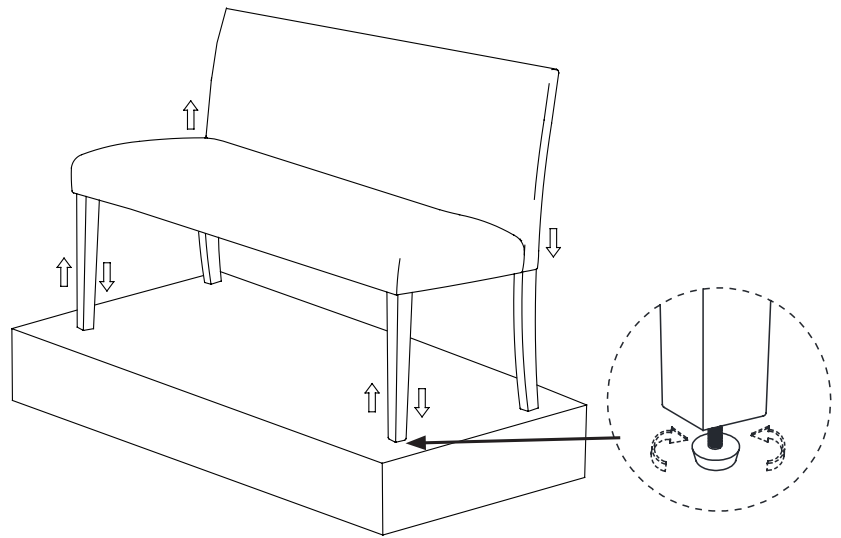
Step 2

2.1

Turn assembled chair upright and place on a flat surface. Push legs up or down as necessary to level.

Once level, tighten all bolts.

Please note: each (C) leg has an adjustable cap to help level your chair.



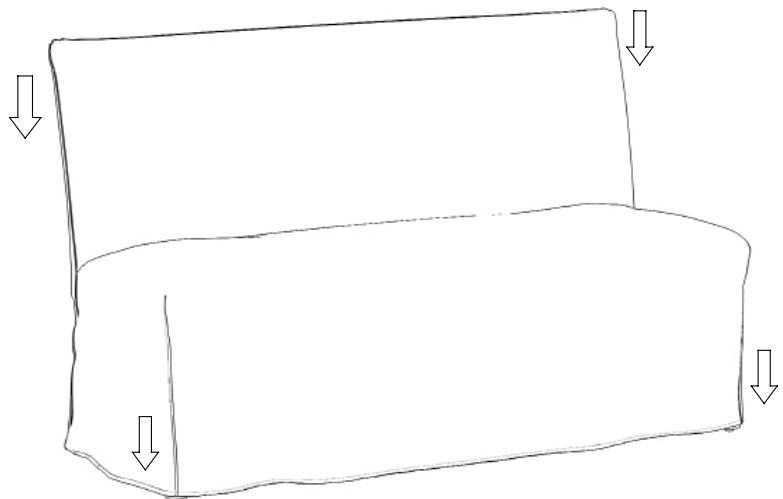
Step 3

3.1

Gently drape upholstered slipcover over assembled banquette. Start with pulling the slipcover over the upholstered back (A) followed by the upholstered seat (B).

Adjust as needed to fit slipcover correctly.

Please note: Slipcover length should be just above ground level.



DINING BANQUETTE ASSEMBLY