

ASSEMBLY INSTRUCTIONS

TOOLS REQUIRED:

- Allen wrench (Provided, part # E)
- Phillips Screwdriver (not provided)

BEFORE YOU START:

1. Check the parts against the parts list to make sure all items are present.
2. Assemble your furniture on a soft, flat surface to avoid scratching the finish.
3. **CAUTION:** Do not over tighten screws, nuts or bolts during assembly.
4. Your furniture may require occasional tightening.

INSTRUCTIONS:

1. Turn the table upside down on a clean soft surface.
2. Attach the U shape legs to the table using bolts (A), lock washers (C) and flat washers (D) and tighten with the Allen wrench (E) as shown Fig 1.
3. Attach the L shape legs to the table using bolts (A), lock washers (C) and flat washers (D) and tighten with the Allen wrench (E) as shown Fig 2.
4. Attached the stretcher to the base unit with bolts (B) and tighten with the Allen wrench (E) as shown Fig 3.

No.	Hardware List		Q'ty
A		Bolt (Ø1/4"*1-1/4")	12pcs
B		Bolt (Ø1/4"*5/8")	4pcs
C		Lock Washer (Ø1/4")	12pcs
D		Flat Washer(Ø1/4"x19mm)	12pcs
E		Allen Wrench	1pc

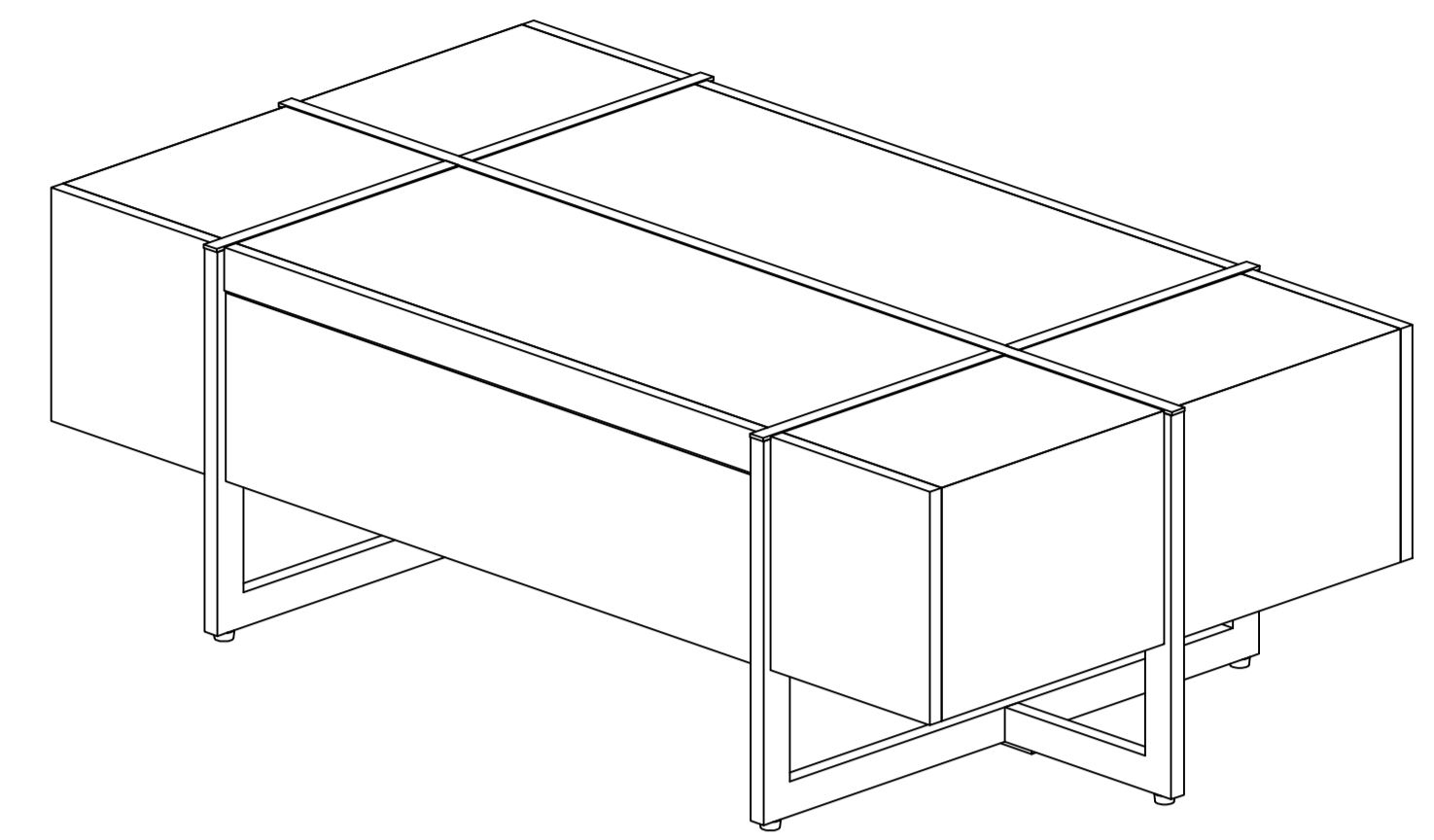


Fig 1

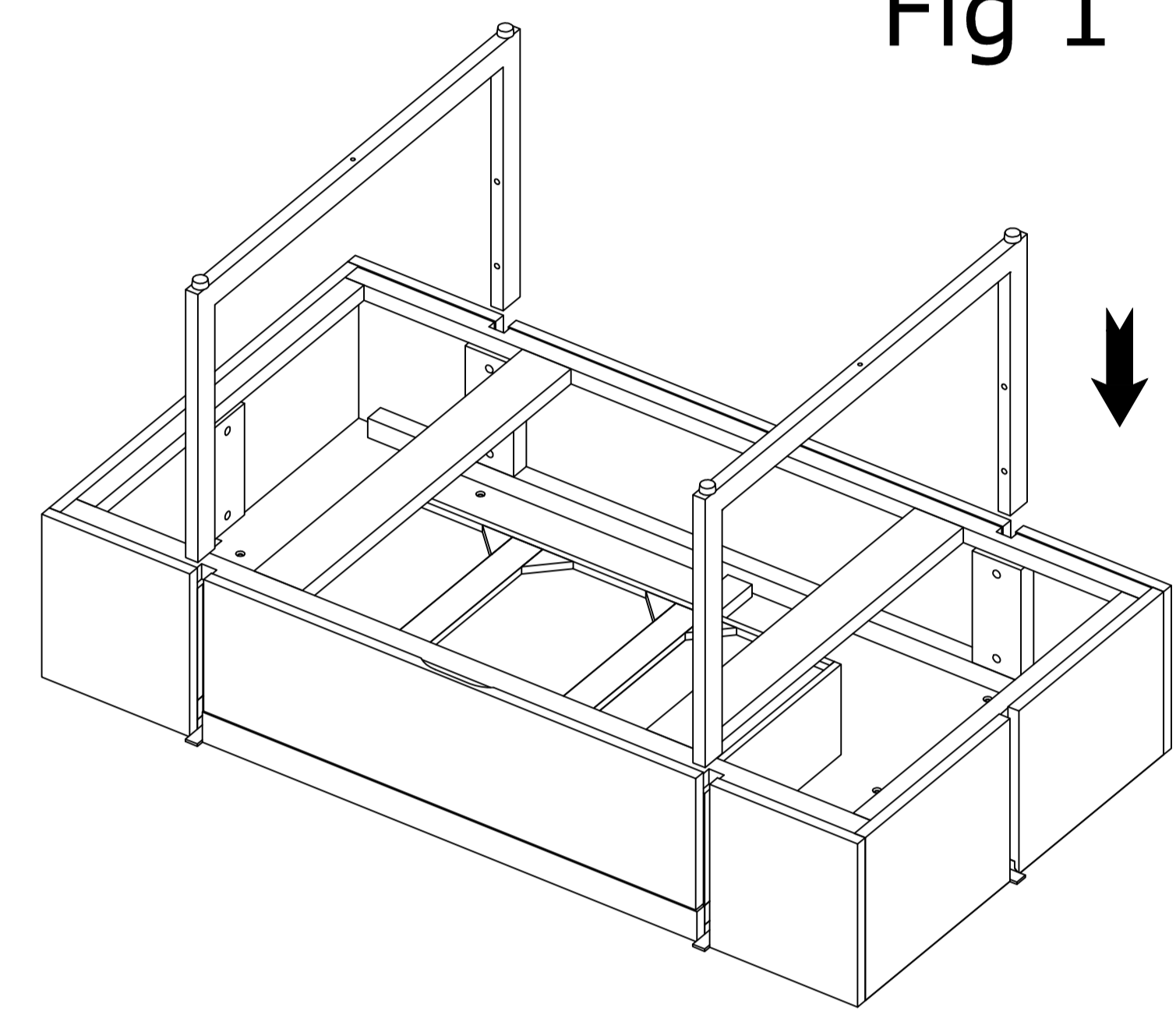


Fig 2

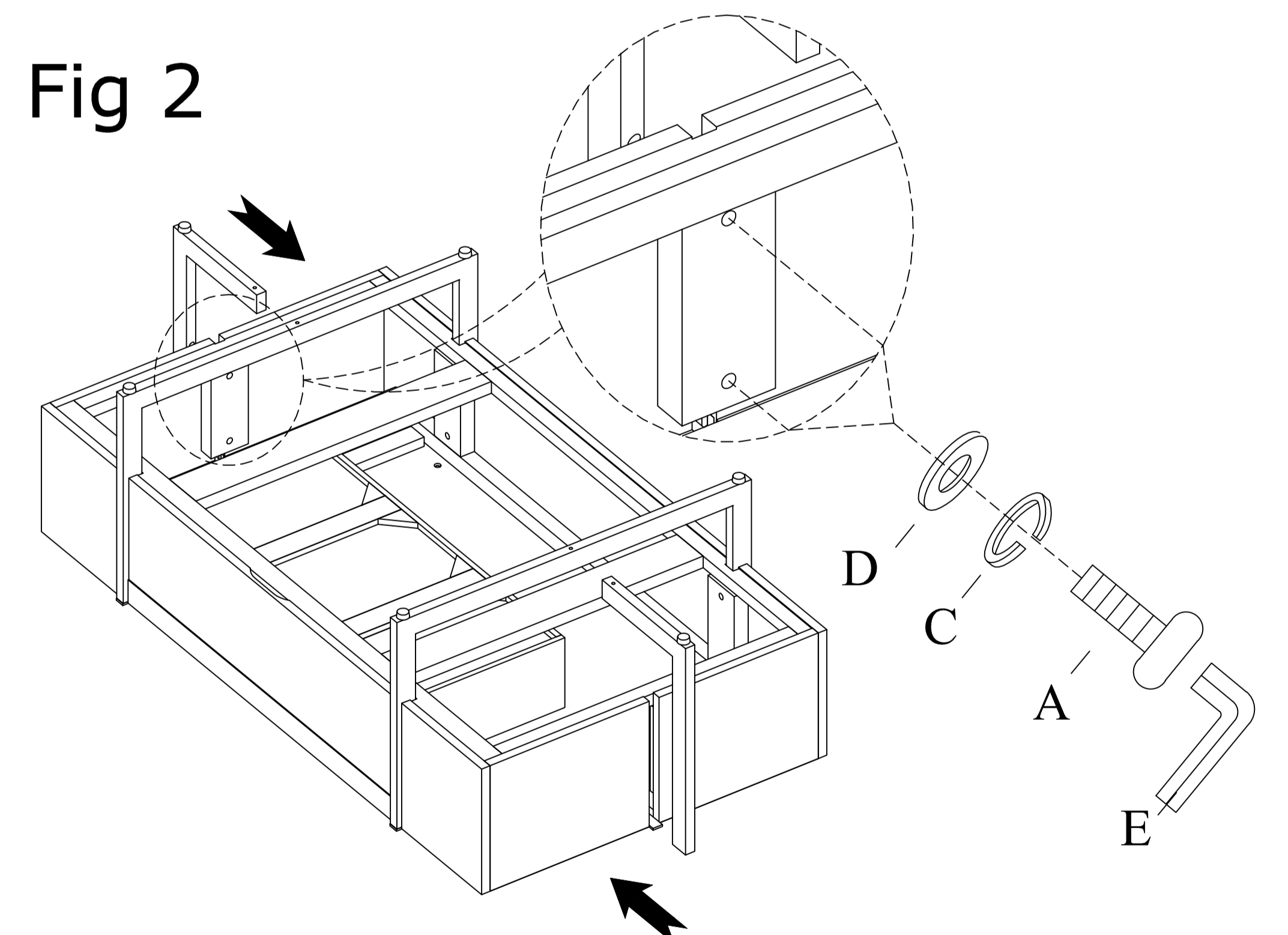


Fig 3

