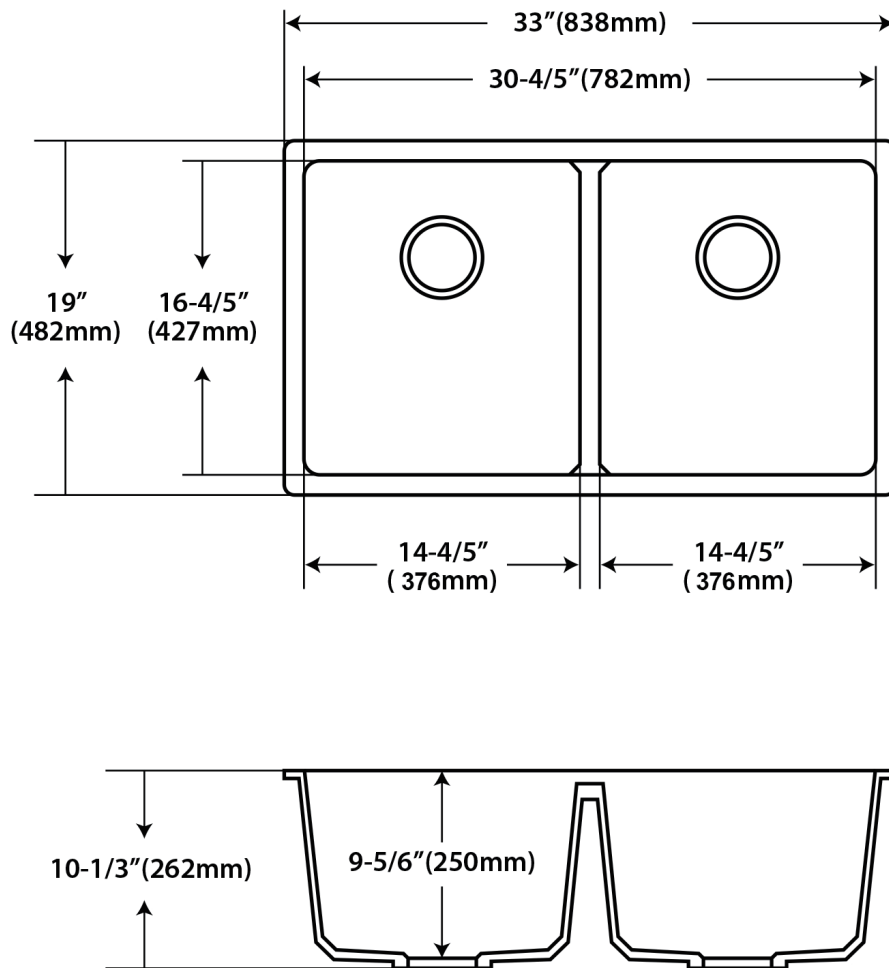


Dimension/Specification



Sink size : 33Length* 19Width* 10-1/3Depth

MINIMUM BASE CABINET : 36" WIDE, STANDARD 3.5 OPENING WILL.
AVAILABLE FOR GARBAGE DISPOSAL UNIT.

Sku RX-QS05-3319B-55