

---

## NOTE:

This brochure contains IMPORTANT safety info. Please read and keep for future reference.

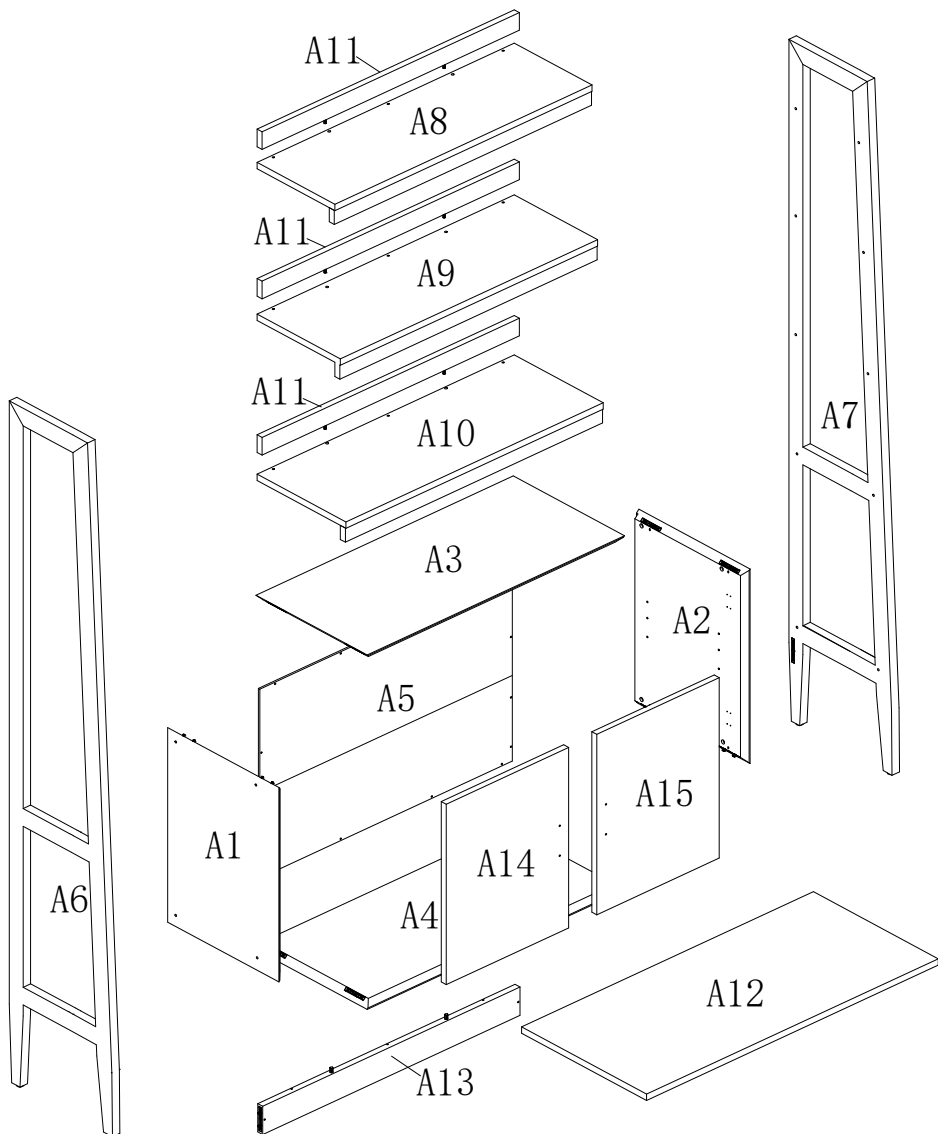
---

# MAINTAINANCE AND WARNING

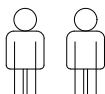
- 1.Keep furniture away from heat sources.
- 2.Do not clean furniture with harsh cleaner or polishes.Do not use detergents,solvents,abrasives,spray packs or leather cleaner. Use non-color mild soa with warm water to clean spills(Mix 1:10 soap to water).
- 3.Do not place furniture under direct sunlight,material will possibly fade over time.
- 4.Do not use on site dry cleaning machine.Children should not climb or jump on the furniture.
- 5.Do not write on furniture that is not protectedby a padded barrier.
- 6.Not for commercial use,only for residential use.



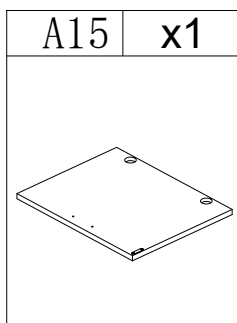
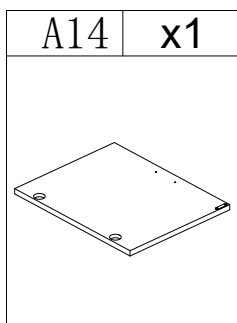
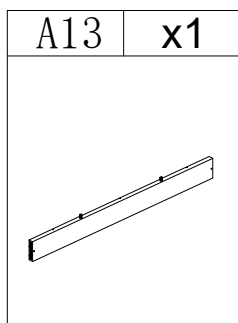
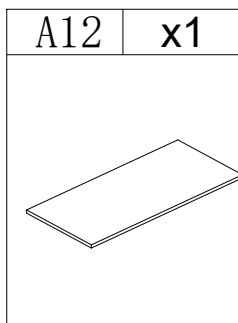
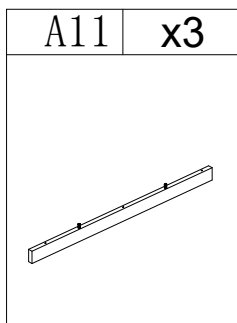
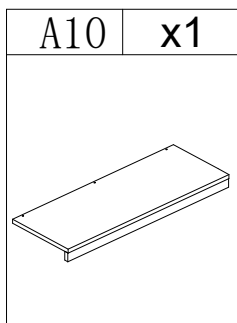
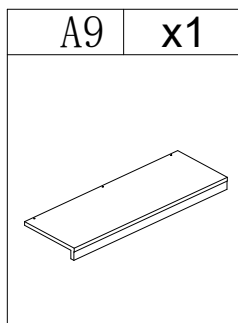
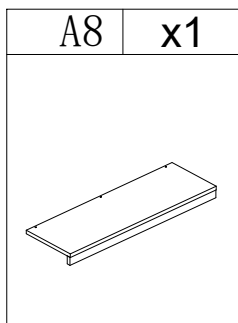
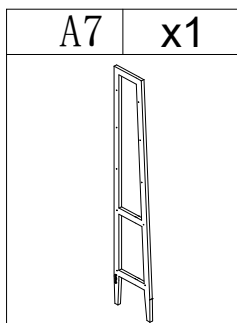
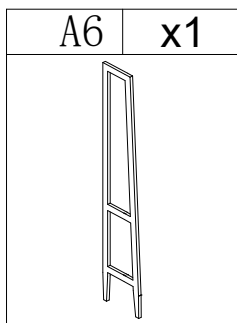
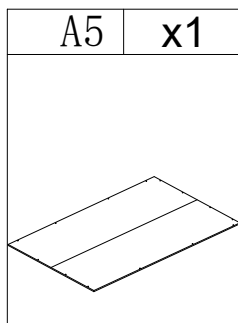
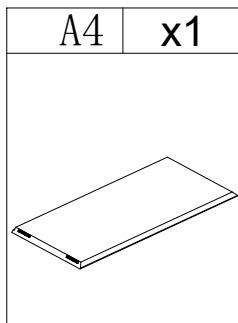
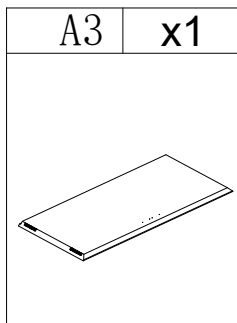
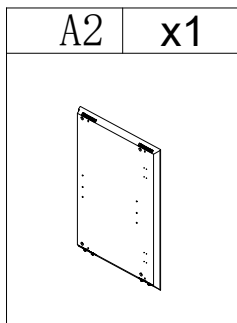
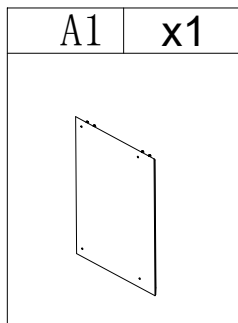
# EXPLOSIVE VIEW



















2PERSONENS



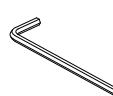
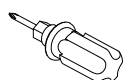
# PARTS LIST 1







# HARDWARE LIST

B1	x20	B2	x24	B3	x4	B4	x3	B5	x4	B6	x4
											
Ø3*15MM		Ø3*15MM		Ø4*20MM		Ø4*38MM		Ø4*39MM		5/32**16MM	
B7	x24	B8	x17	B9	x4	B10	x2	B11	x4	B12	x12
											
1/4**15MM		1/4**32MM									
B13	x2	B14	x4	B15	x4	B16	x2				
											

# TOOL LIST

B17	x1	B18	x1
			
M6			

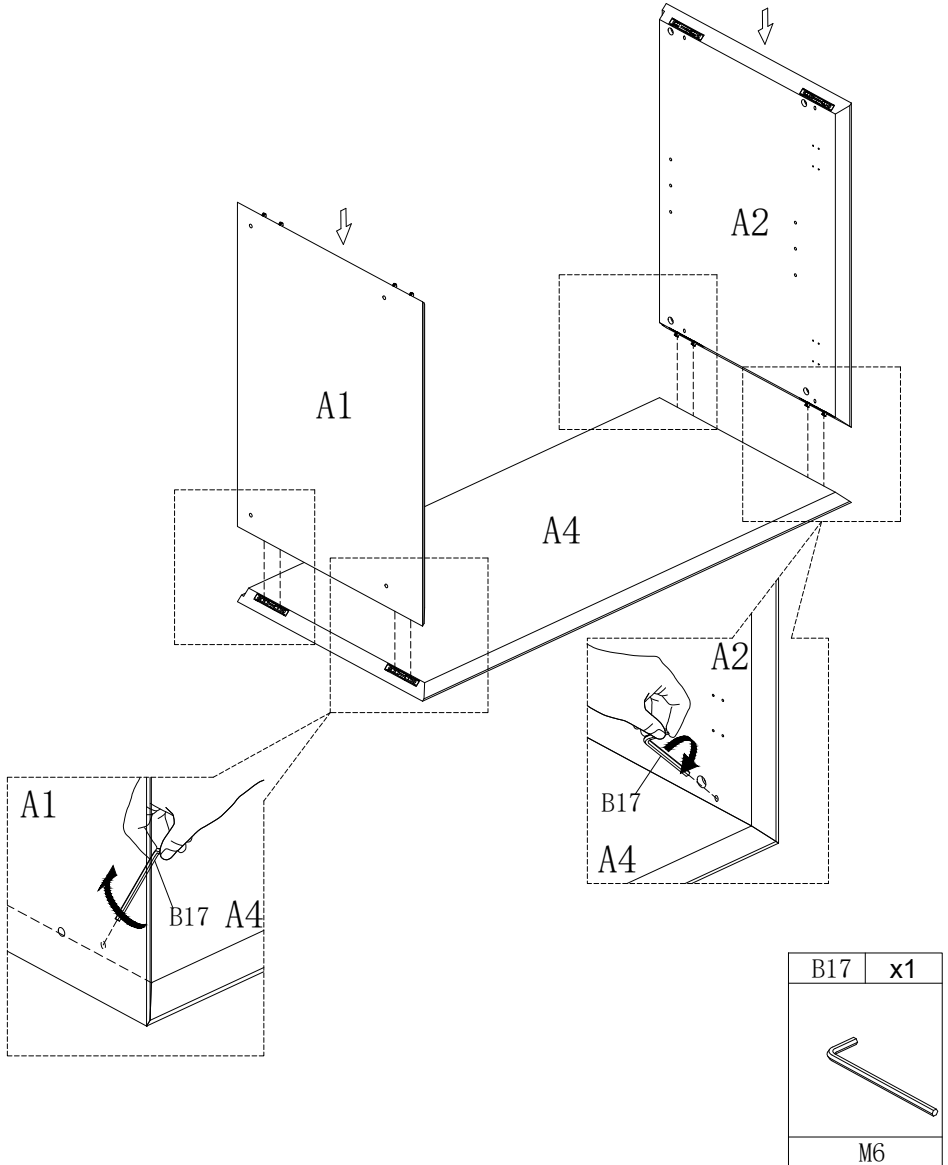
# HARDWARE SPARE LIST

B1	x1	B2	x1	B7	x1	B8	x1
							
Ø3*15MM		Ø3*15MM		1/4**15MM		1/4**32MM	

# ASSEMBLY INSTRUCTIONS

## STEP-1

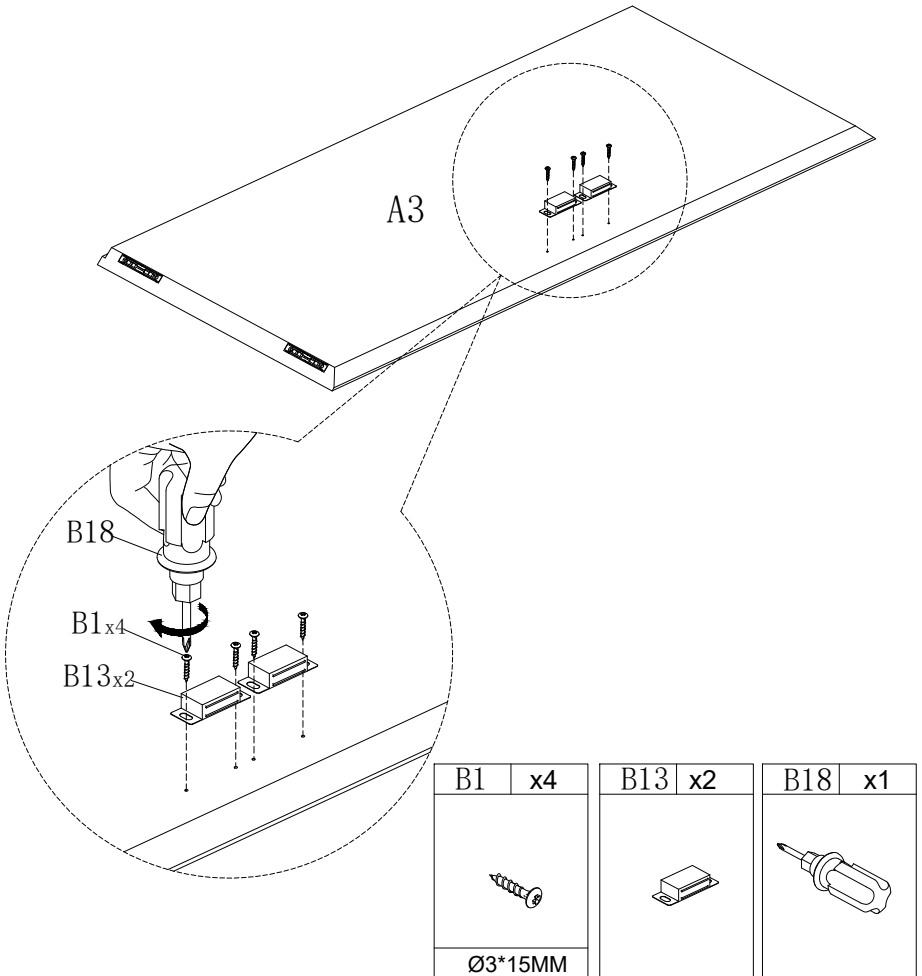
1.Insert side panel (A1 & A2) into bottom panel (A4),make sure all holes aligned and then tighten it with allen key B17as picture show.



# ASSEMBLY INSTRUCTIONS

## STEP-2

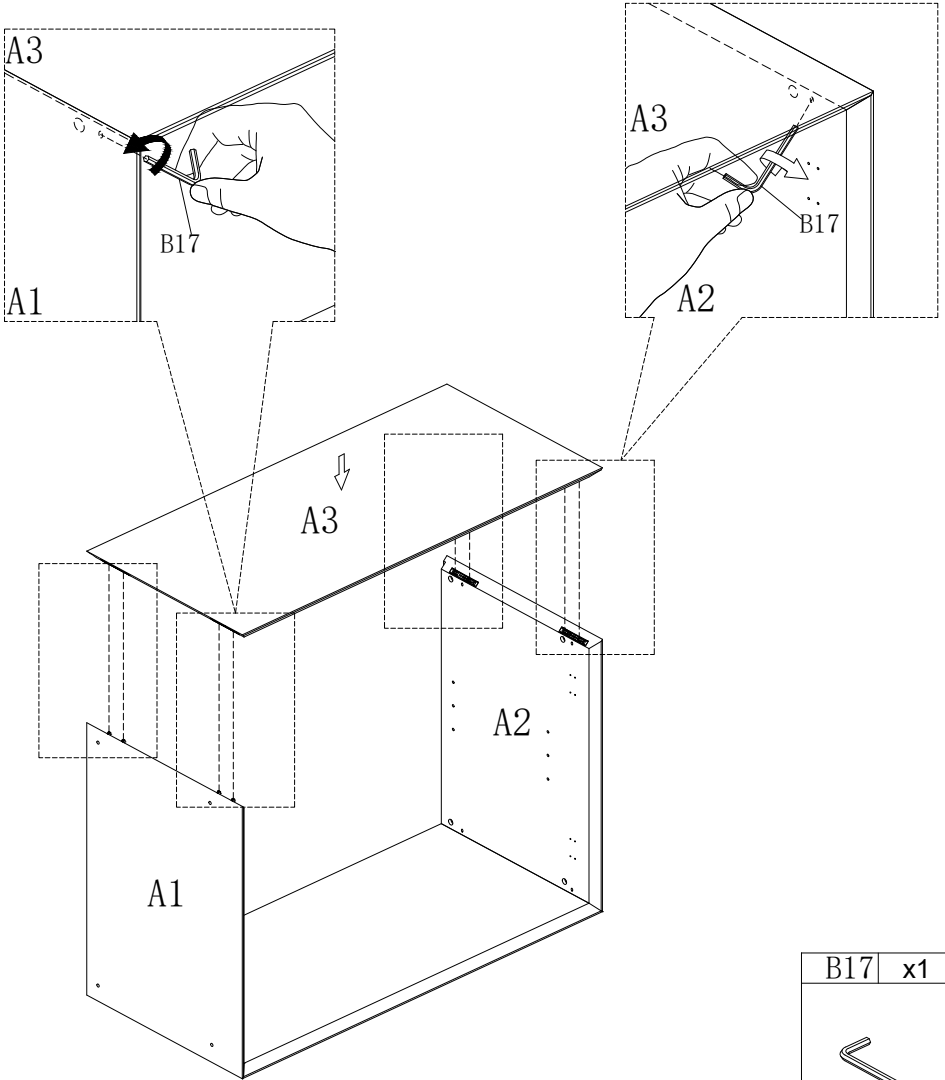
1. Use screw B1 to attach magnetic catch B13 to the corresponding hole of panel(A3), tighten screw with screwdriver B18.



# ASSEMBLY INSTRUCTIONS

## STEP-3

1. Insert panel (A3) into side panel (A1&A2), make sure all holes aligned and then tighten it with allen key B17 as picture show.

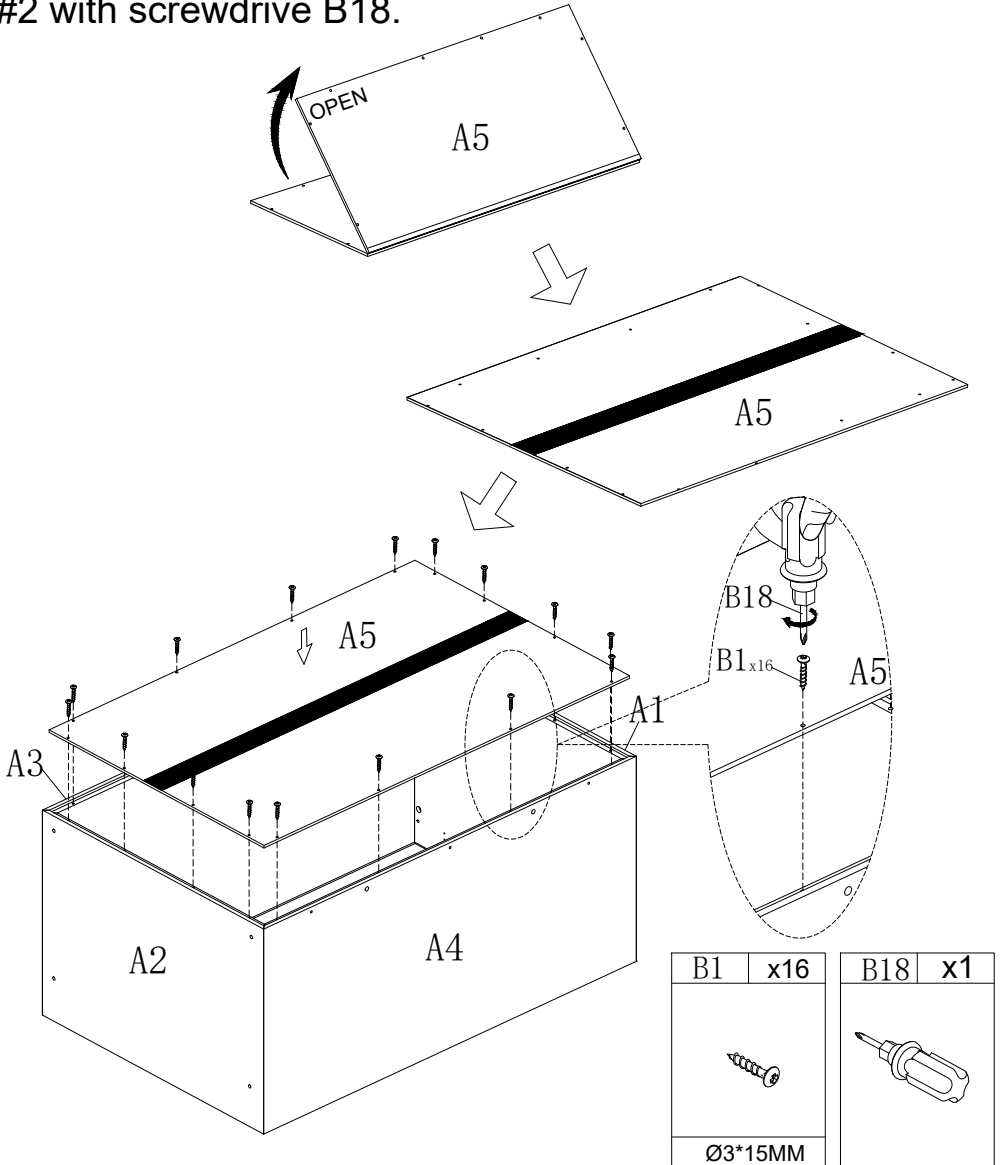


B17	x1
M6	

# ASSEMBLY INSTRUCTIONS

## STEP-4

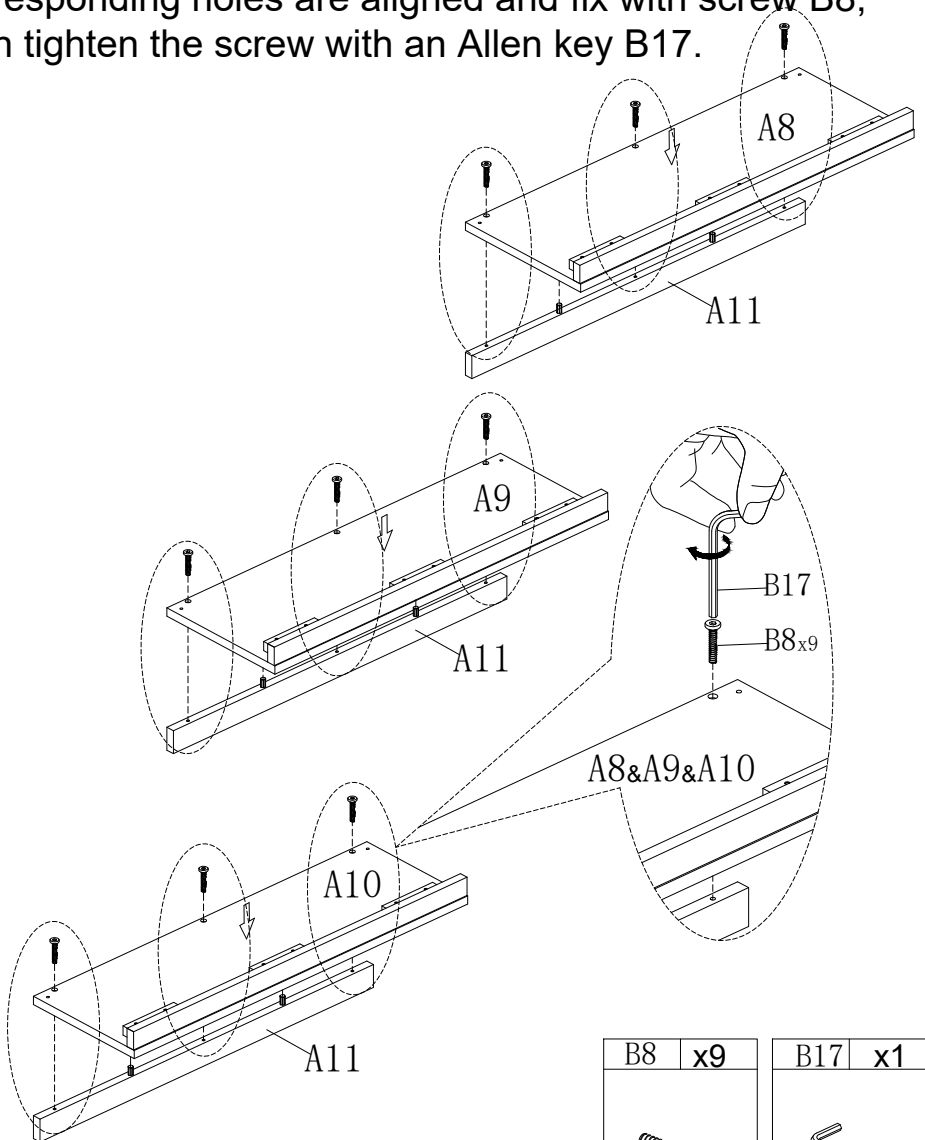
1. Open the back panel (A5), insert back panel (A5) into the groove of preassembled step 3, make sure all holes aligned and use screw B1 to attach them, tighten screw #2 with screwdriver B18.




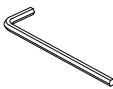
# ASSEMBLY INSTRUCTIONS

## STEP-5

install part (A8&A9&A10) on of part A11, ensure the corresponding holes are aligned and fix with screw B8, then tighten the screw with an Allen key B17.



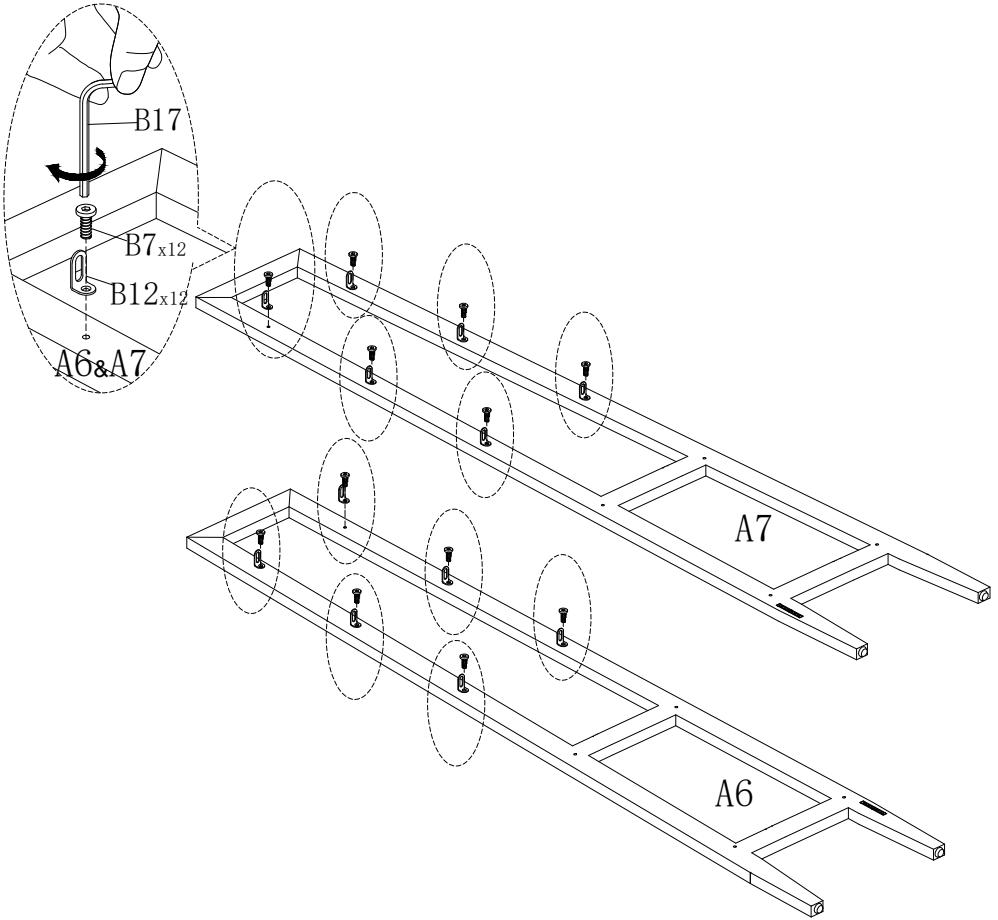
B8	x9
	
1/4"*32MM	



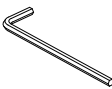
B17	x1
	
M6	

# ASSEMBLY INSTRUCTIONS

## STEP-6

1. Use screw B7 to attach part B12 to the corresponding hole of panel (A6&A7), tighten screw with Allen key B17.

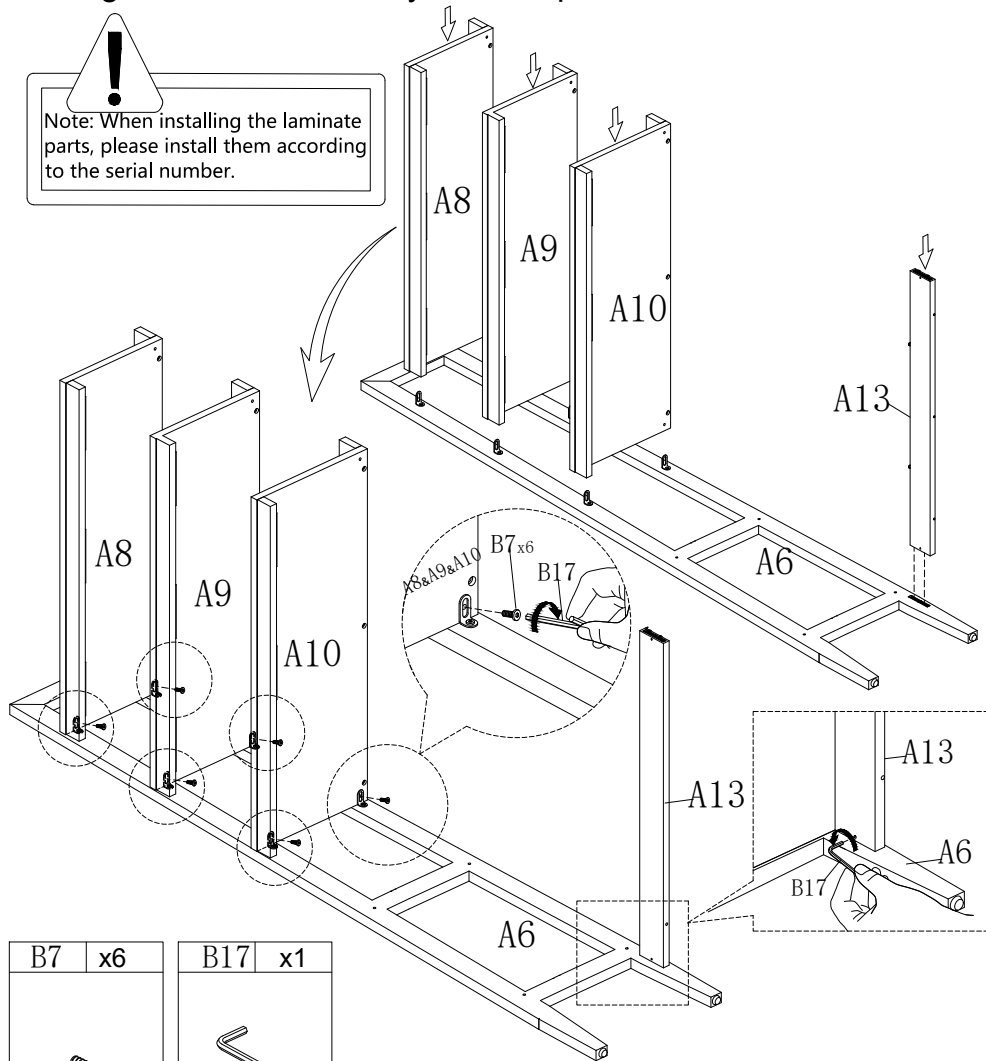



B12	x12	B7	x12	B17	x1
					
		1/4"*15MM		M6	

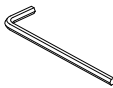
# ASSEMBLY INSTRUCTIONS

## STEP-7

Use screw B7 to attach part A6 to the corresponding hole of panel (A10&A9&A8), tighten screw with Allen key B17. Insert part (A13) into part (A6), make sure all holes aligned and then tighten it with allen key B17 as picture show.



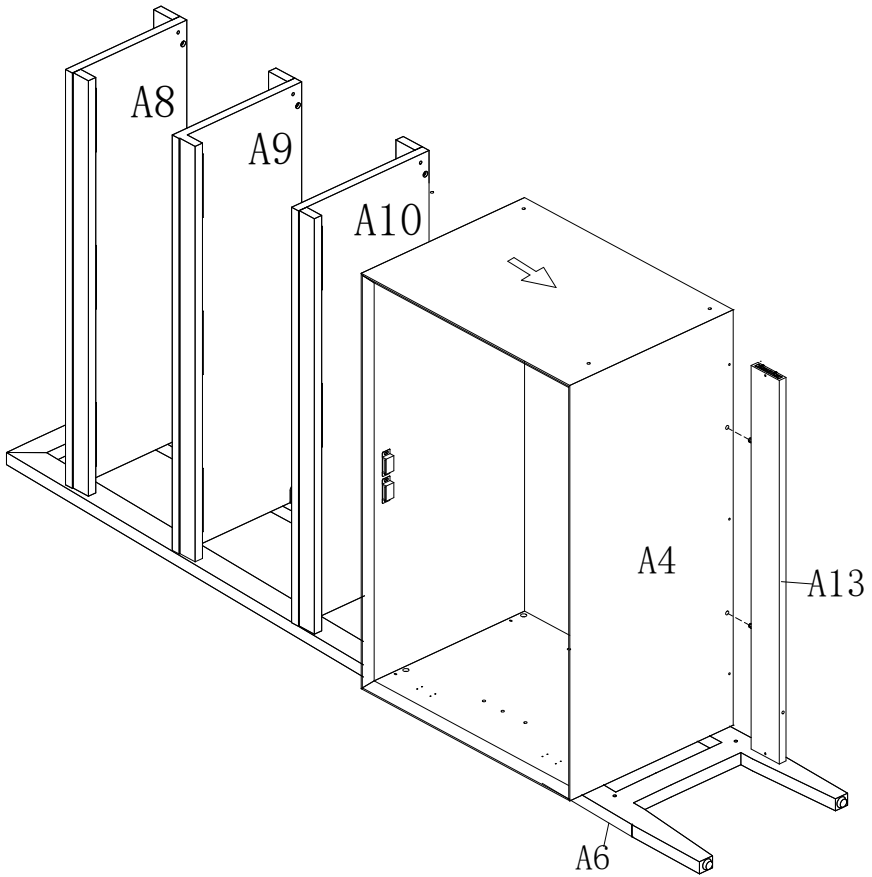
B7	x6
	
1/4"*15MM	

B17	x1
	
M6	

# ASSEMBLY INSTRUCTIONS

## STEP-8

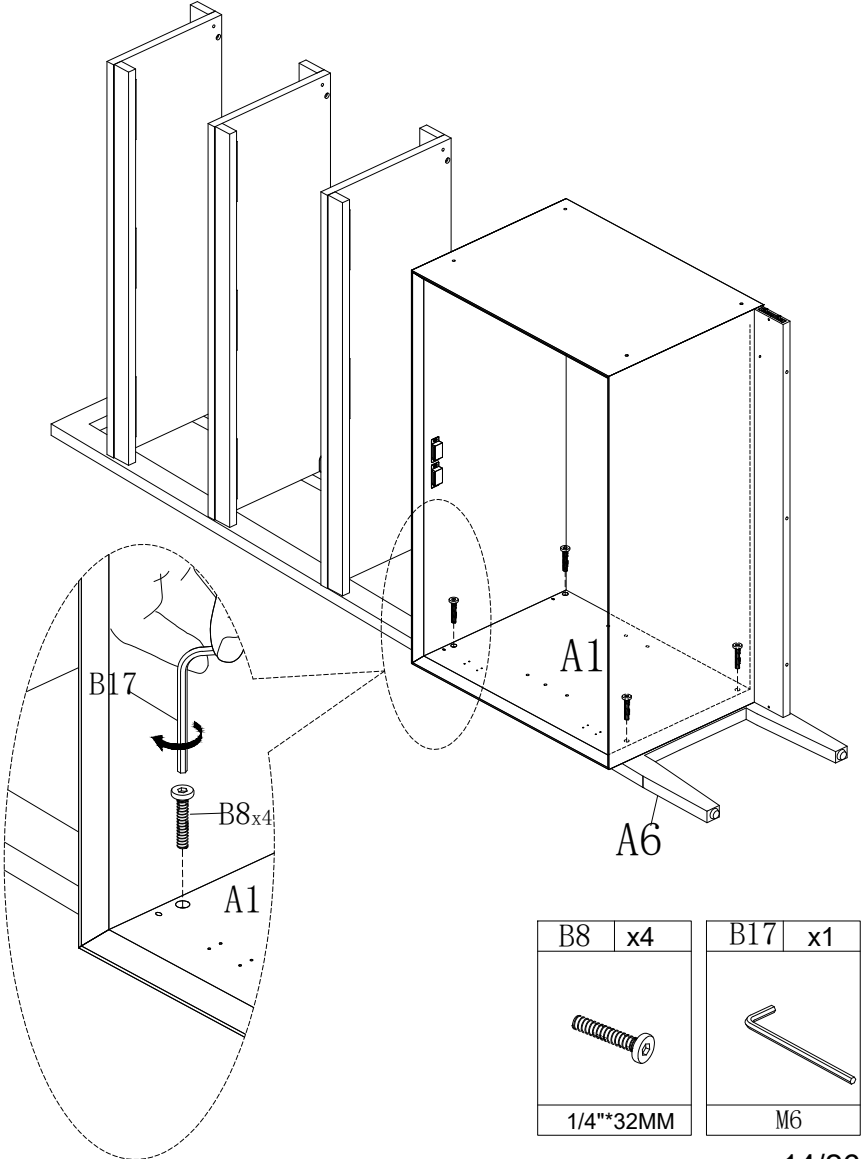
Connect the cabinet to the pre-assembled unit of the 7.



# ASSEMBLY INSTRUCTIONS

## STEP-9

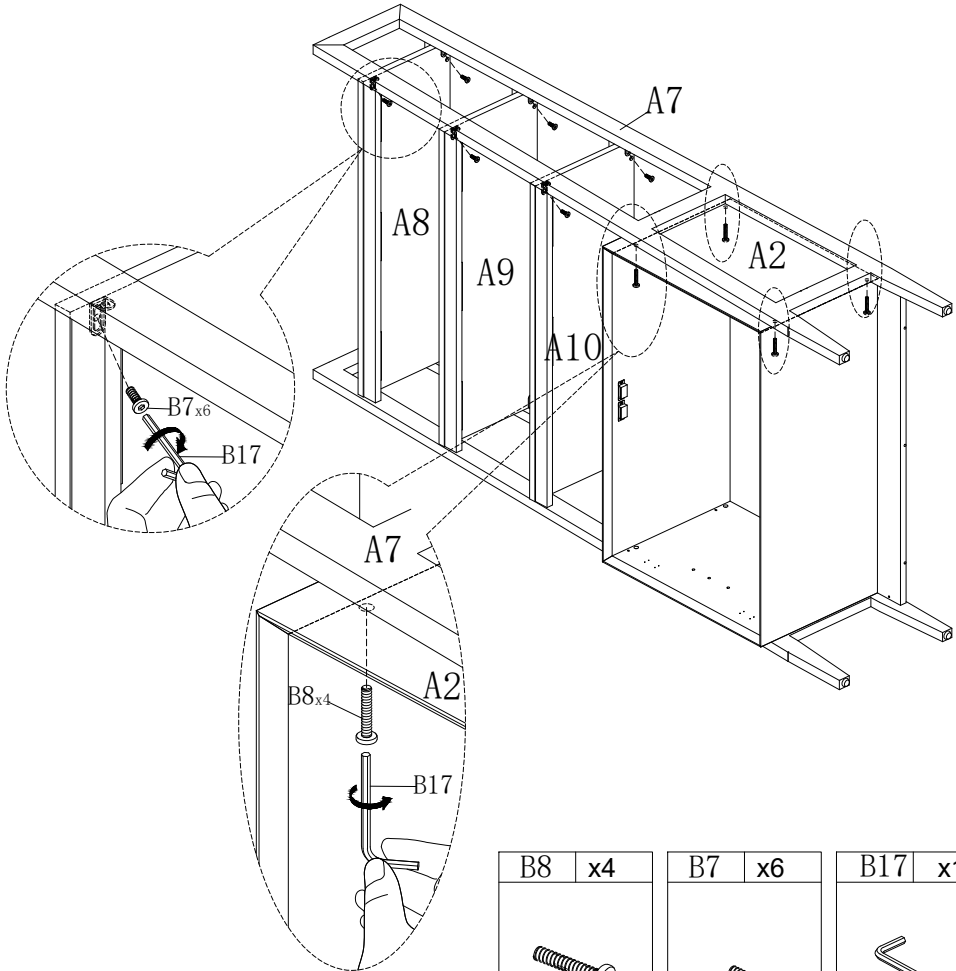
1. Use screw B8 to attach side panel A1 to the corresponding hole of side panel A6, tighten screw with Allen key B17.



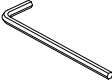


# ASSEMBLY INSTRUCTIONS

## STEP-10

1. Use screw B8&B7 attach the side panel (A2) to the pre-assembled unit from step 9 .



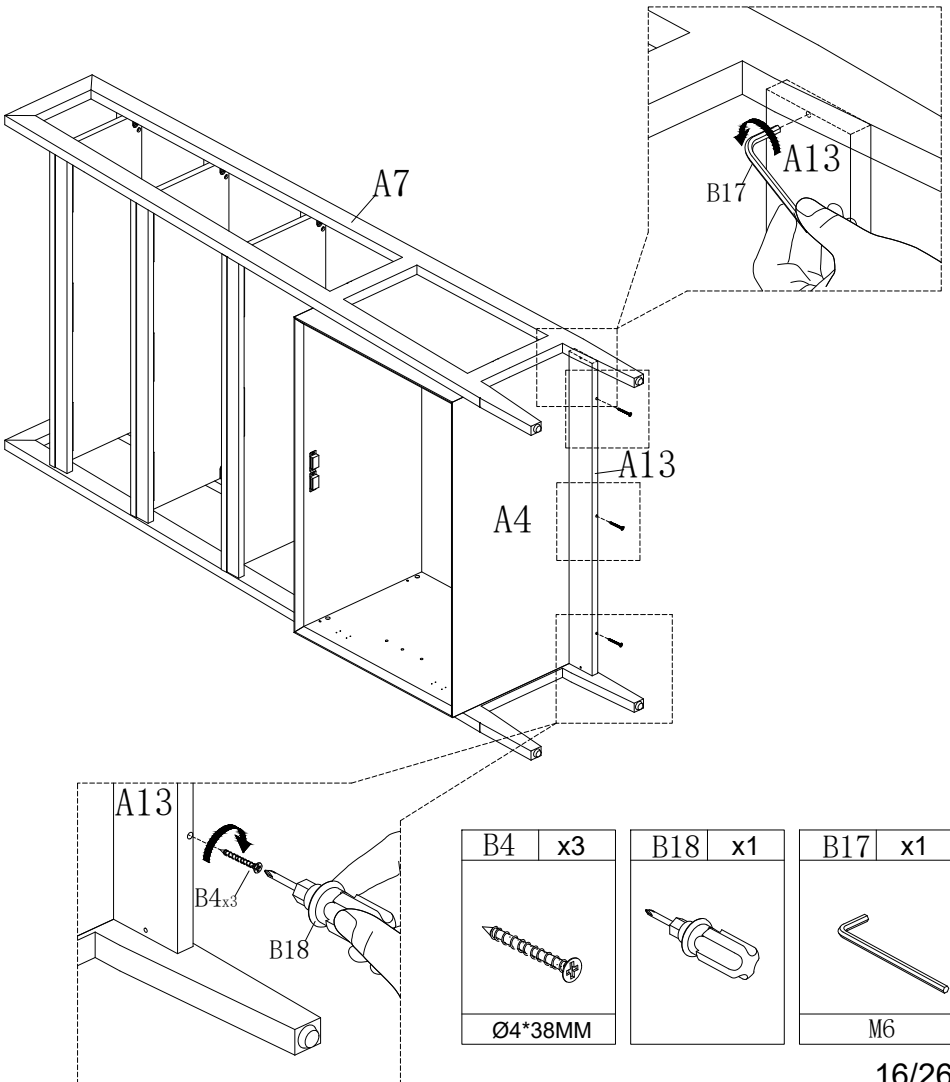
B8	x4	B7	x6	B17	x1
					
1/4"*32MM		1/4"*15MM		M6	

# ASSEMBLY INSTRUCTIONS

## STEP-11

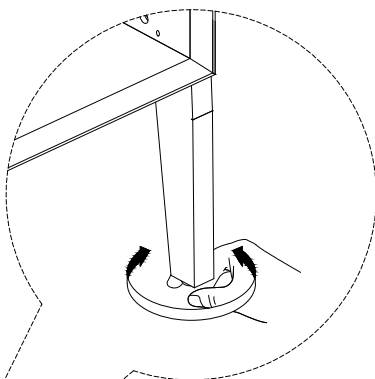
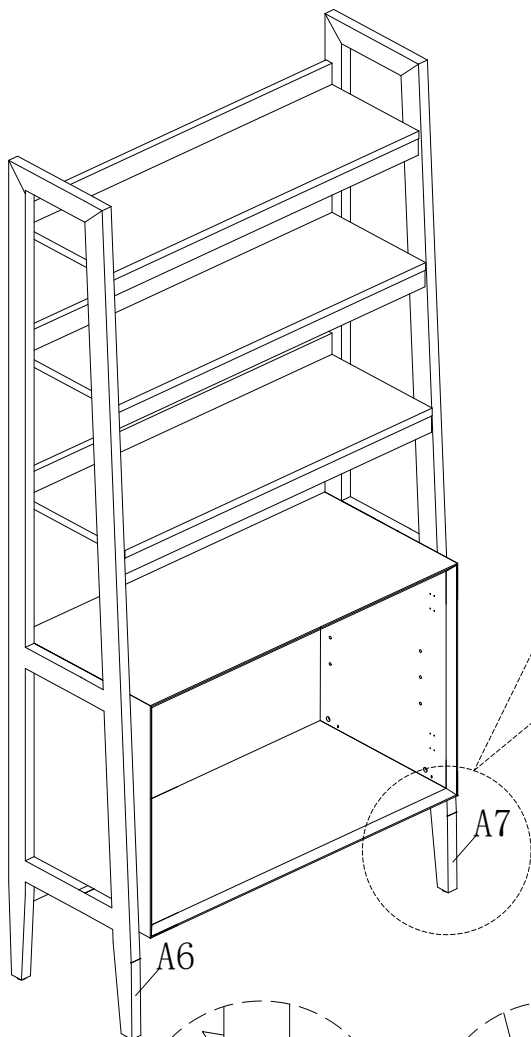
1. Use screw# B4 to attach part #A13 to the corresponding hole of bottom panel(A4), tighten screw with screwdriver B18.

make sure all holes aligned and then tighten it with allen key #B17 as picture show.

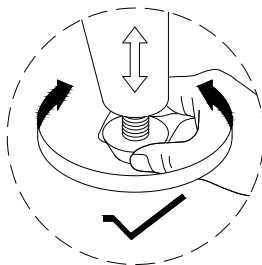
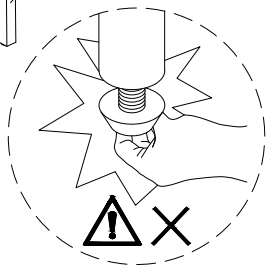


# ASSEMBLY INSTRUCTIONS

## STEP-12



**!**  
**Attention:**  
Before the next step, adjust the feet of the locker to keep it level.

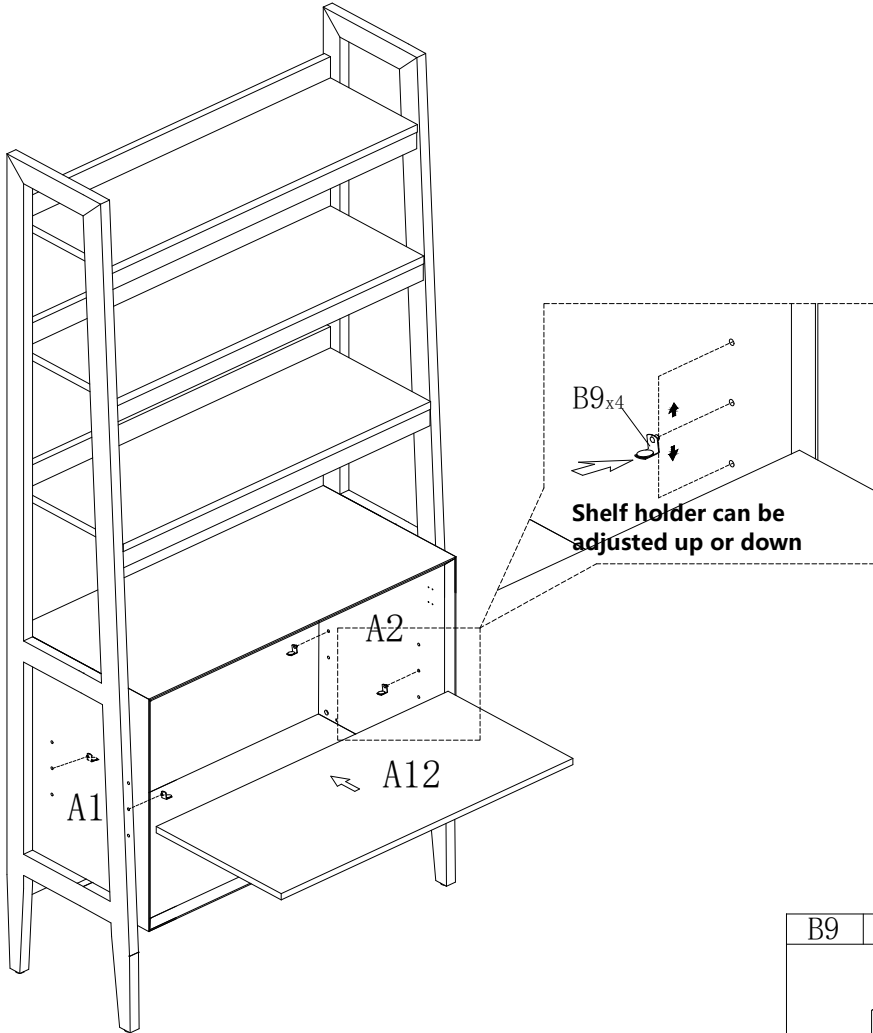



# ASSEMBLY INSTRUCTIONS

## STEP-13

1. Insert shelf pin B9 into Pre-assemble unit at step 12.

2. attach adjustable shelf (A12) to pin B9.

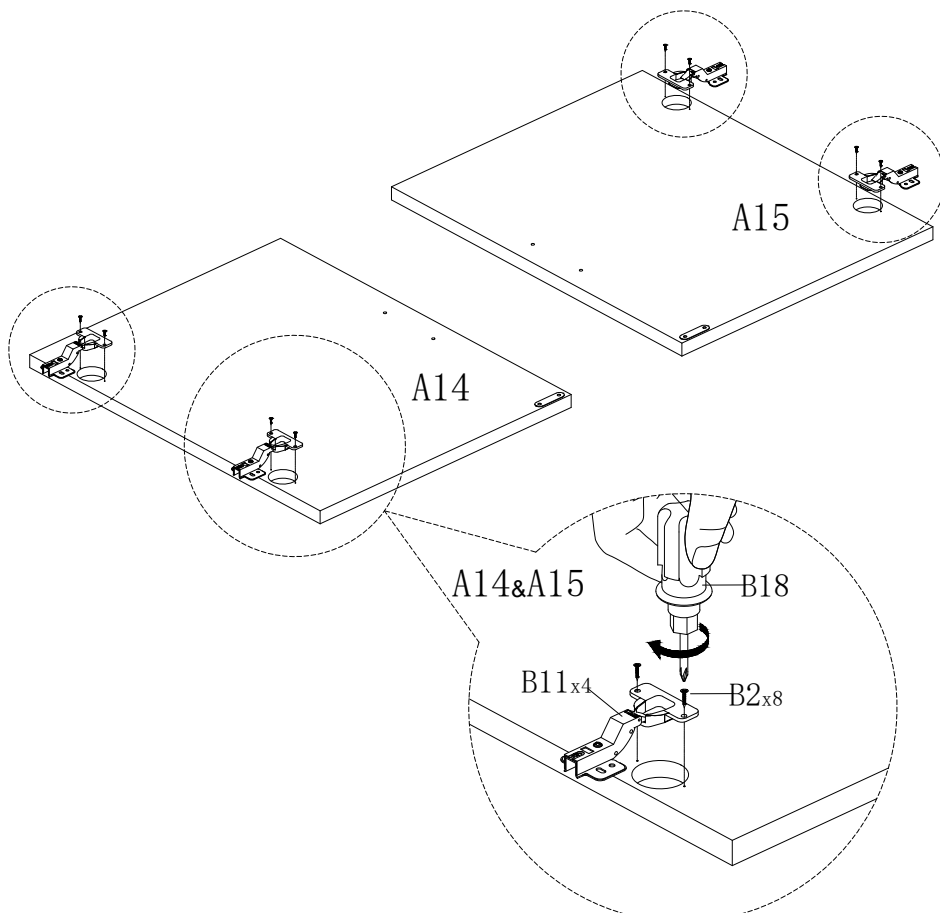




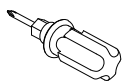
B9	x4
	

# ASSEMBLY INSTRUCTIONS

## STEP-14

1. Use screw B2 to attach the hinges B11 to door panel (A14)&(A15), tighten screws with screwdriver B18

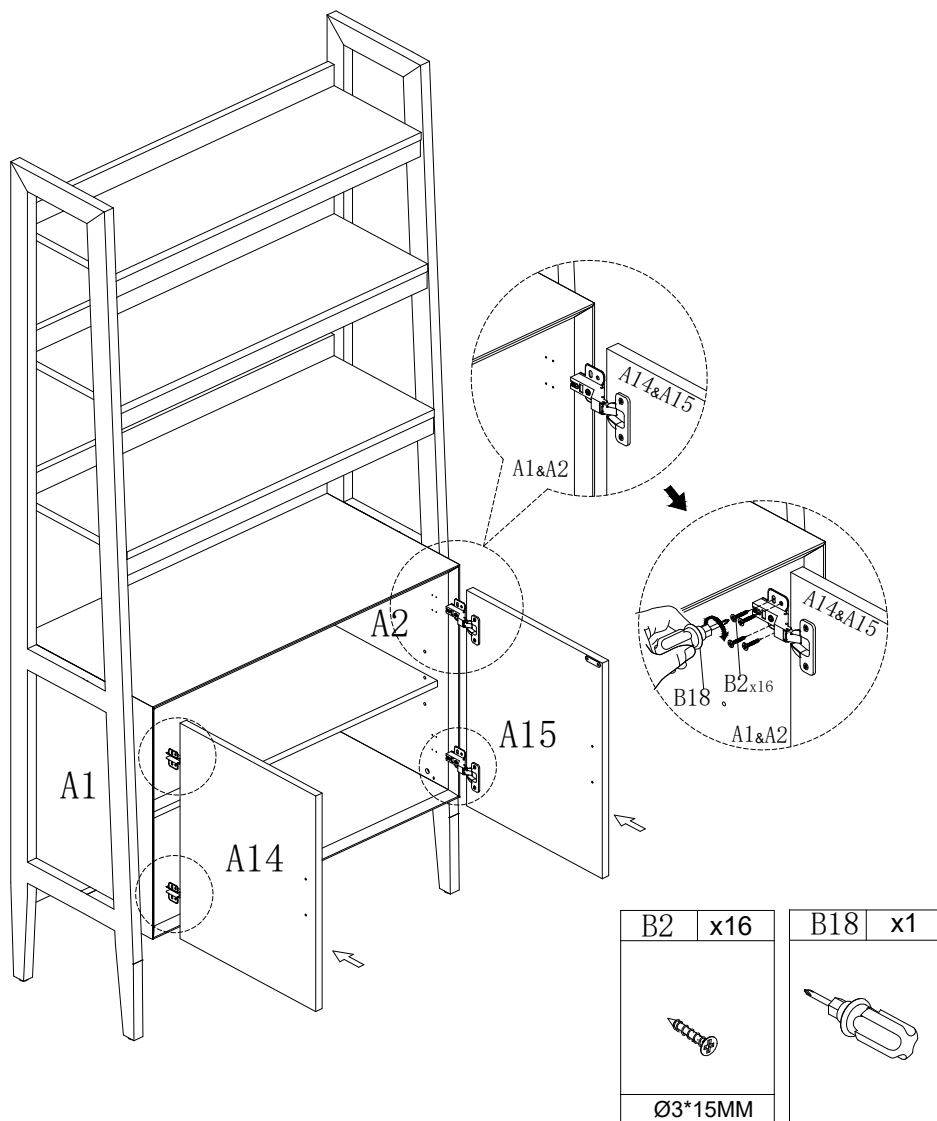


B11	x4	B2	x8	B18	x1
					
		Ø3*15MM			

# ASSEMBLY INSTRUCTIONS

## STEP-15

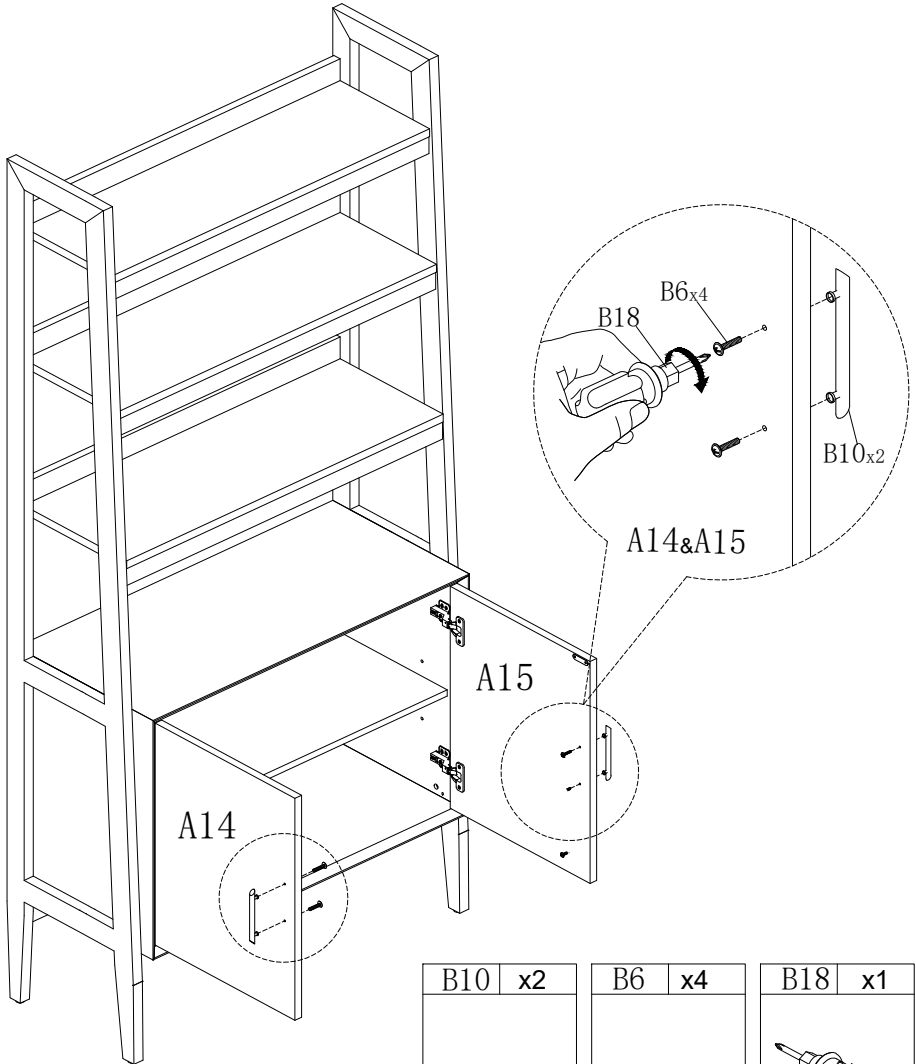
Use screw B2 to attach left door A4 and right door A15 to pre-assemble unit at step 14 ,tighten screw B2 with screwdriver B18 .

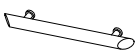

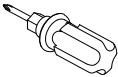


# ASSEMBLY INSTRUCTIONS

## STEP-16

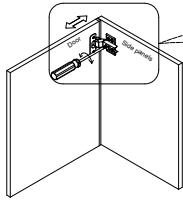
1. Use bolt B6 to attach handle B10 to door panel (A15)&(A14), tighten bolts with screwdriver B18



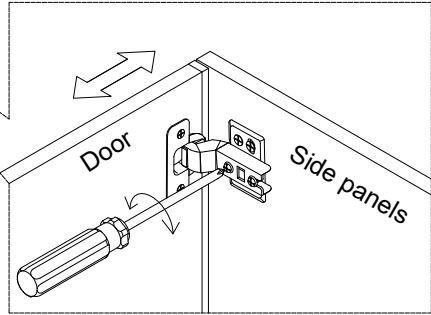
B10 x2	B6 x4	B18 x1
		
	5/32" x 16MM	

# ASSEMBLY INSTRUCTIONS

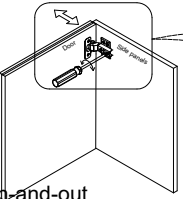
Concealed hinges are three-way adjustable:



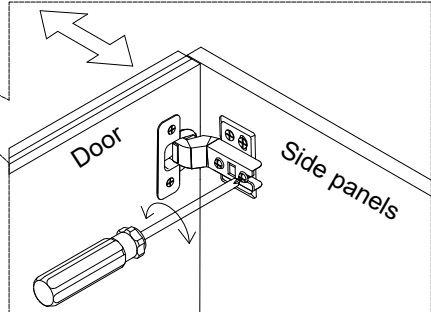
Horizontal  
by screw adjustment!



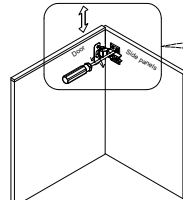
Concealed hinges are three-way adjustable:



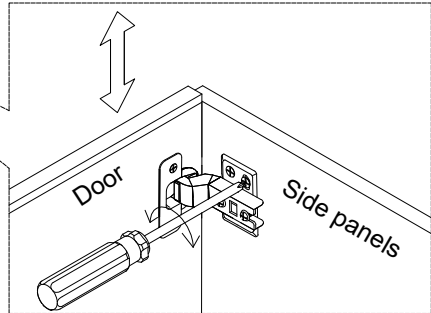
In-and-out  
by loosening the hinge arm  
mounting screw or via cam  
adjustment!



Concealed hinges are three-way adjustable:



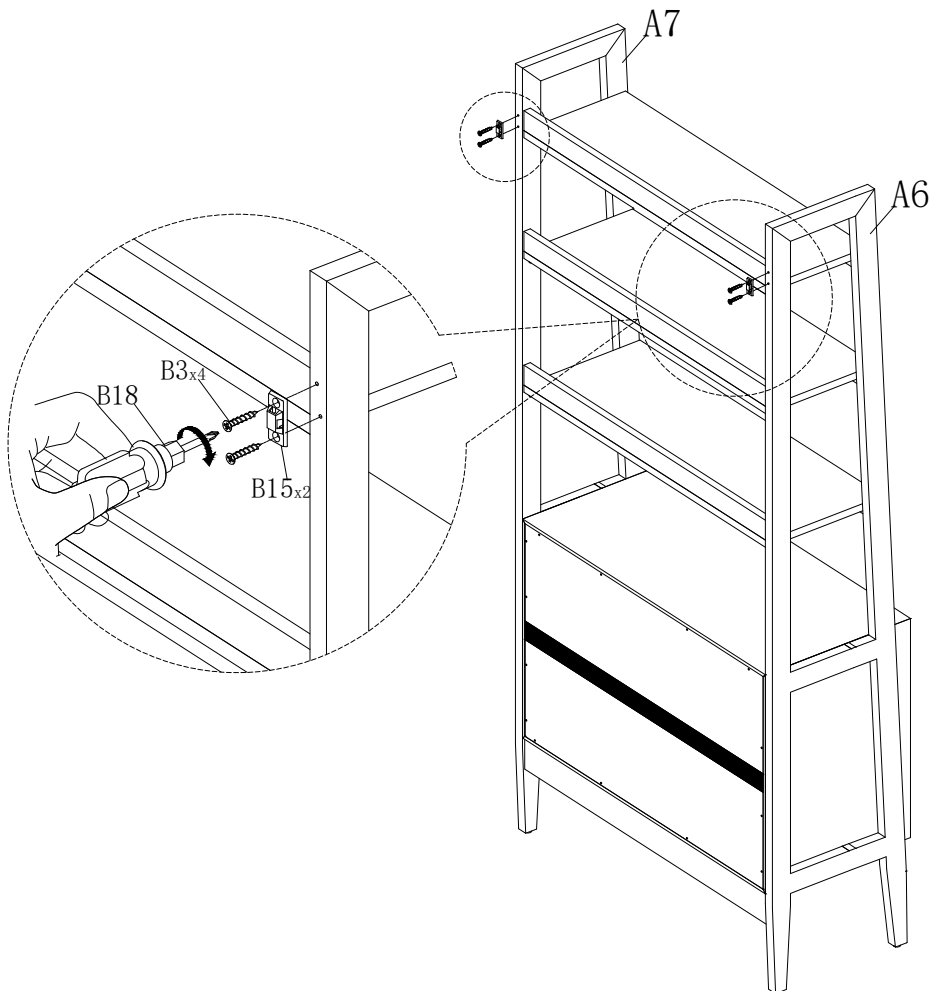
Vertical via slots in  
the mounting plate  
or via cam adjustment!


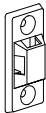
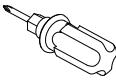


# ASSEMBLY INSTRUCTIONS

## STEP-17

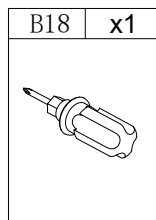
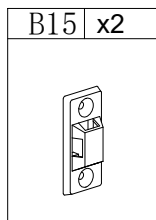
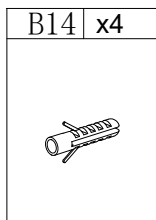
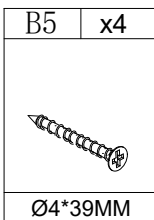
1. Use screw B3 to attach part B15 to preassemble unit at step 16, tighten screws with screwdriver B18.



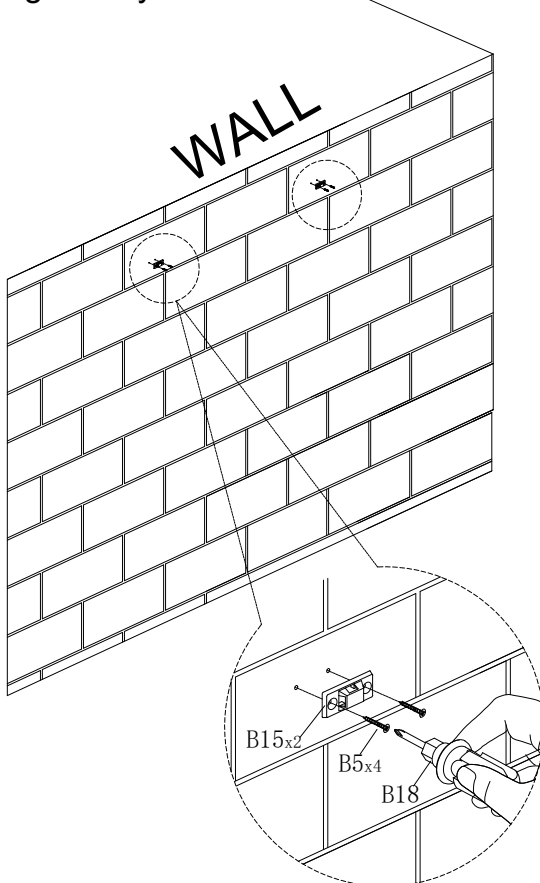
B3	x4	B15	x2	B18	x1
					
Ø4*20MM					

# ASSEMBLY INSTRUCTIONS

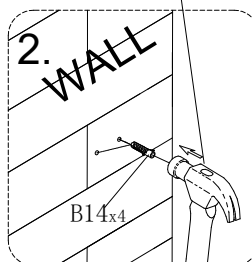
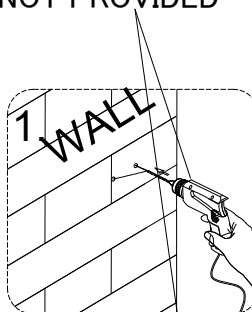
## STEP-18



1. Install the anti-collapse device.
2. Mark the position on the wall, that corresponds to the location of part B15 on the top of panel (A11); Drill and insert the expandable screw B14 by electric drill.
3. Assemble the part B15 to the wall. Align the hole in the part B15 with the expandable screw B14, use screw B5 to attach it and tighten by screwdriver B18.

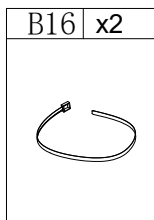


NOT PROVIDED

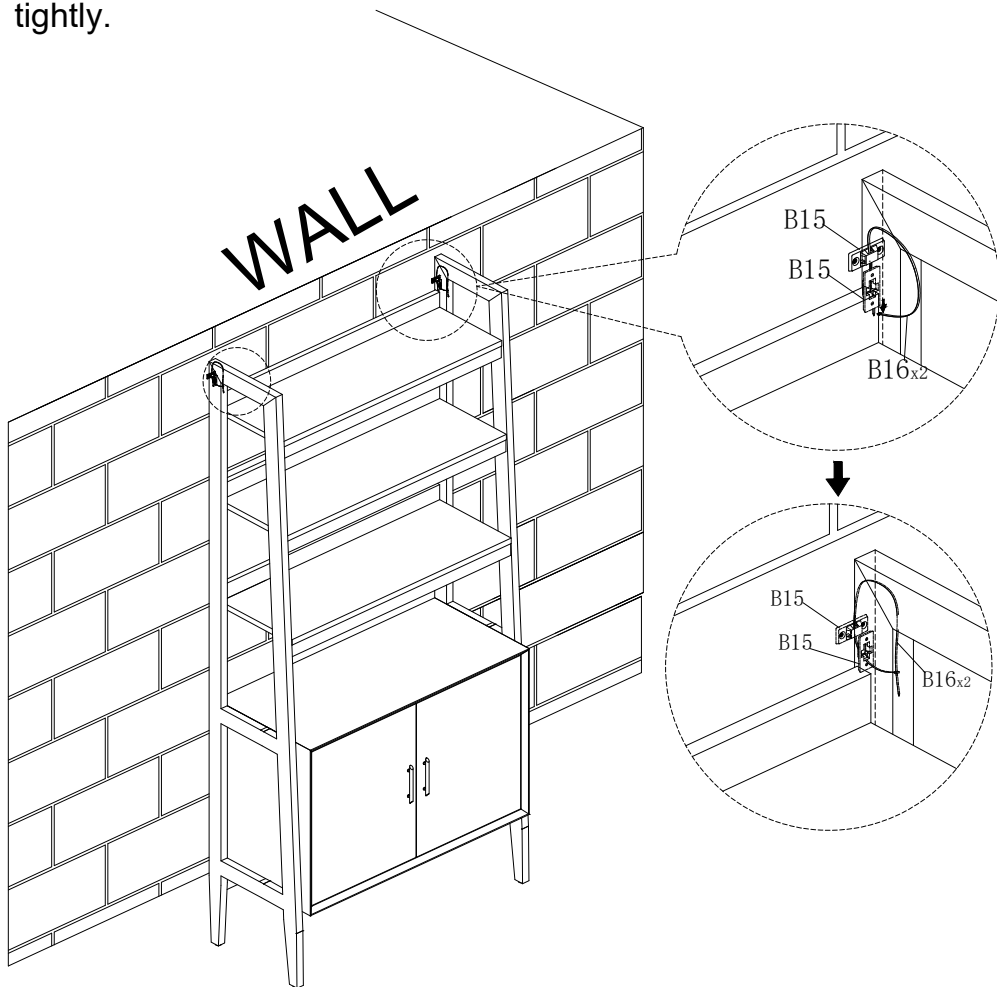


# ASSEMBLY INSTRUCTIONS

## STEP-19



1. Let the plastic belt B16 pass through the both part B15 and pull tightly.



# WARRANTY

1. We strive to offer high-quality products, and we also try our best to satisfy each and every customer that orders from us with product or service as needed.
2. We provide 30 days warranty starting from the time you receive the item. Each customer must provide a record of their order such as the order number, or item receipt for any items that are out of the warranty period you may also still receive.
3. Replacement parts by purchasing them with our company if they are available.

Are you having difficulty  
With assembly? Missing parts?

For return, please check the return policy with  
the retailer or market place you bought from.

Appreciate your purchasing from us.  
Pop up your life by our furniture piece!