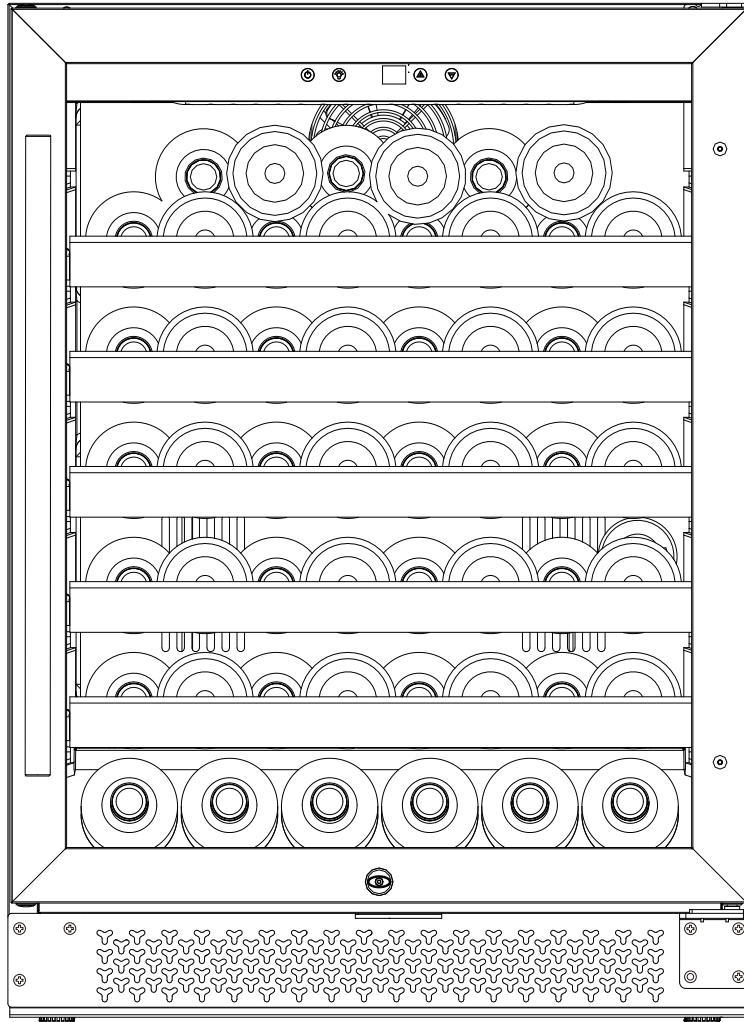


# Yeego

## INSTRUCTION MANUAL



### Wine Cooler Refrigerator

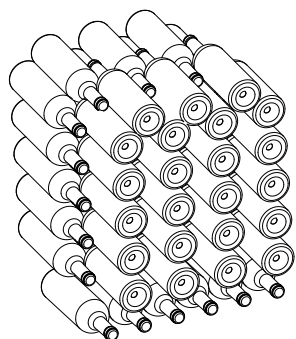
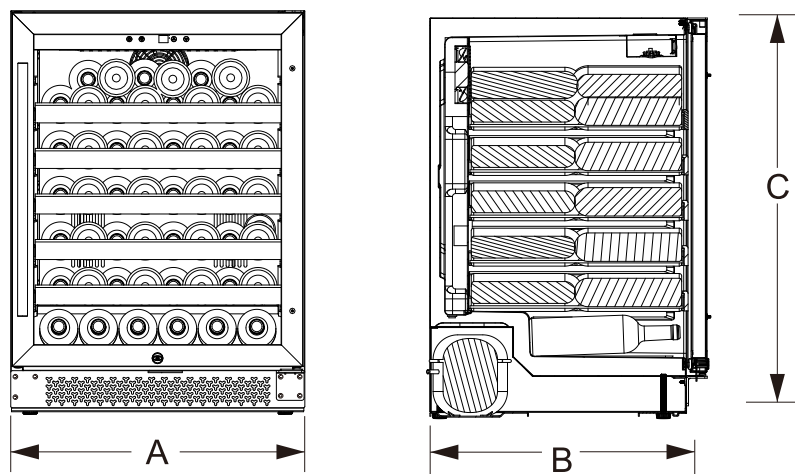
YEG-WS24

BEFORE USE, PLEASE READ AND FOLLOW  
ALL SAFETY RULES AND OPERATING INSTRUCTIONS.

# Yeego 24 Inch Single Zone Wine Fridge

YEG-WS24

## Product Technical Illustration



Total:  $5 \times 8 + 6 + 6 = 52$  bottles

Overall Width (in.) <b>A</b>	<b>23.4"</b>
Overall Depth (in.) <b>B</b>	<b>22.4"</b> (24.1" with handle installed)
Overall Height (in.) <b>C</b>	<b>32.3"</b>

## Signature Features

### 52 Wine Bottle Storage Capacity

The first layer of the wine cooler is reserved for large layer spacing, and it is equipped with 5 removable premium metal wire wooden shelves that slide smoothly and are sturdy enough to hold your bottles without scratches. So you can easily position wine bottles of different shapes and sizes.

### Upgraded Cooling System

Yeego wine refrigerator runs with quiet operation ( $\leq 41$ dB) and rapid cooling, and it is equipped with an upgraded compressor and front grille air outlet design which can provide excellent heat dissipation function to maintain a steady temperature and stable chiller effect.

### Freestanding or Built-in Installation

Thanks to the sleek stainless steel grille air outlet design, you don't need to leave a lot of space for heat exhaust under your counter. So you can choose to install it as a built-in or freestanding installation, depending on your preference!

### Thoughtful Design

Yeego provides sincere and effective design like reversible door design allows a flexible choice of the direction of the door, Leveling legs can adjust feet and keep level placement anywhere. Two true key locks to prevent the door from being accidentally opened.

# Yeego

## Yeego 24 Inch Wine Cooler Specification

- Voltage: 115V /60Hz
- Rated Current: 0.9A
- Refrigerant: R600a
- Capacity : 52 standard 750ml wine bottles
- Temperature Range: 40°F-65°F(5°C - 18°C)
- Net Weight: 97 lbs
- Unit Dimension(without handle): 23.4" W x 22.4" D x 32.3" H
- Unit Dimension(with handle installed): 23.4" W x 24.1" D x 32.3" H

## Key Product Features

- Free Standing & Built-In Options
- Full Removable Shelves
- Whisper Quiet & Low Vibration Function
- Double Tempered Glass & Reversible Door (Open Left or Right)
- Digital Led Temperature Panel
- Soft Blue Internal Led Lighting

## Note:

- Before connecting the wine fridge to the power source for the first time, please keep it upright at least 24-36 hours. It will reduce the possibility of a malfunction in the cooling system from handling during transportation. It is suggested to put the wine fridge in a cool and ventilated place, which will greatly improve the cooling performance.

## Contact us:

- Please feel free contact us by after-service email address([support@yeegolife.com](mailto:support@yeegolife.com))

# TABLE OF CONTENTS

IMPORTANT SAFETY RULES .....	01
IMPORTANT SAFETY INSTRUCTIONS .....	03
PARTS & FEATURES .....	04
INSTALLATION INSTRUCTIONS .....	05
OPERATING YOUR WINE FRIDGE .....	09
TROUBLESHOOTING GUIDE .....	12
LIMITED WARRANTY .....	13
CUSTOMER SERVICE .....	14

# IMPORTANT SAFETY RULES

Before the appliance is used, it must be properly positioned and installed as described in this manual, so read the manual carefully. To reduce the risk of fire, electrical shock or injury when using the appliance, please follow basic precautions, including the following:

## DANGER

- Plug into a grounded 3-prong outlet, do not remove the grounding prong, do not use an adapter and do not use an extension cord.
- It is recommended to provide a separate circuit that only serves your appliance. Use receptacles that cannot be turned off by a switch or pull chain.
- Never clean appliance parts with flammable fluids. These fumes can cause fire or explosion. And do not store or use gasoline or other flammable vapors and liquids in the vicinity of this or any other appliance. The fumes can cause fire or explosion.
- Before starting cleaning and maintenance operations, make sure that the power line of the unit is disconnected.
- Do not connect or disconnect the electric plug when your hands are wet.
- Unplug the appliance or disconnect power before cleaning or servicing. Failure to do so can lead to electric shock or death.
- Do not attempt to repair or replace any part of your appliance unless it is specifically recommended in this material. All other services should be referred to as qualified technicians.

## WARNING

- Use two or more people to move and install appliance. Failure to do so can lead to back or other injuries.
- The appliance should not be located next to ovens, grills or other sources of high heat.
- It is important that the appliance be leveled to work properly. You may need to make several adjustments to level it.
- Do not allow children to operate, play or crawl inside the appliance.
- Do not kink or pinch the power supply cord of appliances.
- Do not use solvent-based cleaning agents with abrasives on the interior. These cleaners may damage or discolor the interior.
- Do not use this apparatus for other than its intended purpose.
- The fuse or circuit breaker size should be 15 amperes.
- A standard electrical supply (115 V AC only, 60 Hz), correctly grounded in according to the National Electrical Code and local codes and ordinances are required.
- To ensure proper ventilation for your appliance, the front of the unit must be completely unobstructed. Choose a well-ventilated area with temperatures above 60°F and below 90°F. This unit must be installed in an area that prevent from the environment like wind, rain, water spray or drips.

# IMPORTANT SAFETY RULES

## **FLAMMABLE REFRIGERANT GAS**

This product uses R600a refrigerant and the gas is natural gas, in line with the higher environmental requirements which is following the higher environmental requirements. For your safety, please observe the following recommendations.

- This appliance contains a small amount of R600a refrigerant, which is environmentally friendly but flammable. It does not damage the ozone layer, nor does it increase the greenhouse effect.
- During transportation and installation, ensure that the tubing of the refrigerant circuit is not damaged.
- Avoid using or manipulating sharp objects near the appliances.
- In the event of any damage, avoid exposure to open fires and any device that creates sparks. Disconnect the appliance from the main power supply.
- The room to install the appliance must be at least 1 cubic meter per 8 grams of refrigerant. The refrigerant quantity contained in this appliance is listed in grams above.
- The ejection of refrigerant from the refrigeration pipe may cause fire or ignition due to eye injury. If leakage is found, please avoid anywhere an open fire or potential source of fire should be placed, and a refrigerator should be placed in the room. Ventilate for a few minutes.

### **DANGER**

- Do not use mechanical devices to defrost the refrigerator.
- Do not puncture refrigerant tubing.
- Used Flammable refrigerant, risk of fire or explosion. Only trained service personnel can repair it.

### **WARNING**

- Used Flammable refrigerant, risk of fire or explosion. Before attempting to service this product, please consult the repair manual. All safety precautions must be followed.
- To prevent children from being trapped, children should be taken care of to ensure that they do not play with or crawl inside the appliance.

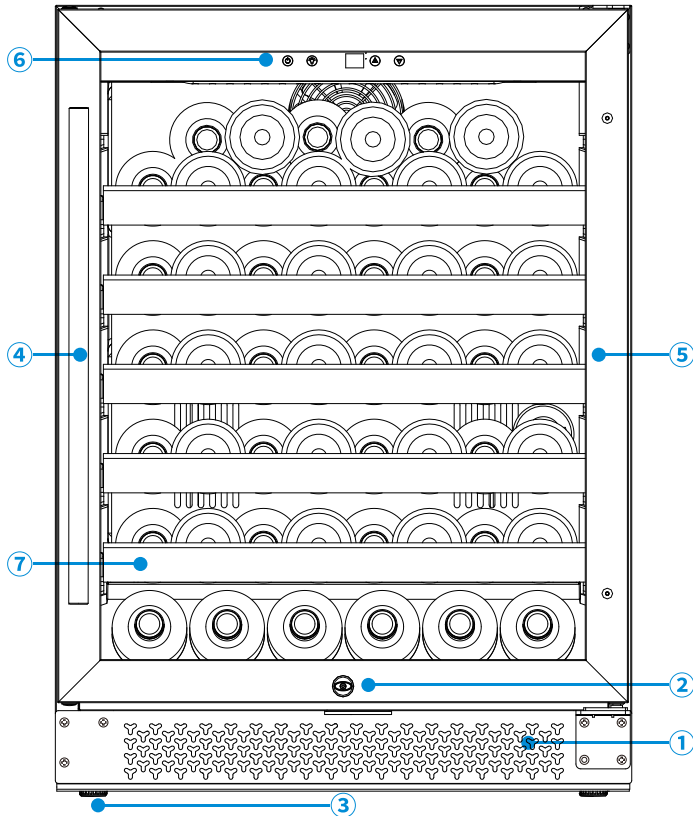
# IMPORTANT SAFETY INSTRUCTIONS

To reduce the risk of fire, electrical shock or injury when using your appliance, follow these basic precautions:

## WARNING

- Child entrapment and suffocation are not problems of the past. Junk or abandoned appliances are still dangerous. Before you throw away your old wine fridge, take off the door, but keep the shelves in place so that children can't easily climb in.
- Never clean appliance parts with flammable fluids. The fumes can cause fire or explosion.
- Do not store or use gasoline or any other flammable vapors and liquids in the vicinity of this or any other appliance.

# PARTS & FEATURES



- ① Base Grille
- ② Security lock
- ③ Leveling Legs
- ④ Stainless Steel Handle
- ⑤ Double Tempered Glass Door
- ⑥ Display and Control panel
- ⑦ Full Removable Shelves (Total 5)

## Technical Data:

**Model No. :** YEG-WS24

**Voltage:** 115V /60Hz

**Rated Current:** 0.9A

**Capacity :** 52 standard 750ml wine bottles

**Temperature Range:** 40°F - 65°F (5°C - 18°C)

**Net Weight:** 97 lbs

**Gross Weight:** 104.7 lbs

**Unit Dimension:** 23.4" W x 22.4" D x 32.3" H

**Packaging Dimension:** 28.0"W x 26.9"D x 36.2"H

**Refrigerant:** R600a

# INSTALLATION INSTRUCTIONS

## Before Using the Wine Fridge

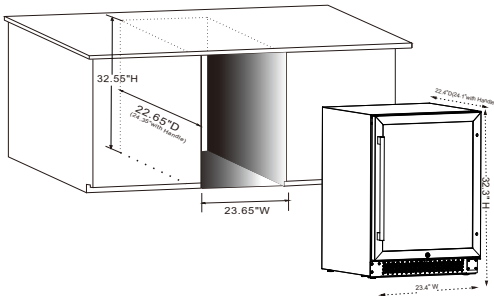
- Remove the exterior and interior packing to check and make sure you have all the following parts:
  - 5\* Wire Shelves With Wooden Front
  - 2\*Keys
  - 1\*Stainless Steel Handle
  - 1\* Instruction Manual
  - 1\* L-Shaped Screwdriver
- Before connecting the wine fridge to the power source for the first time, please keep it upright for at least 24-36 hours.
- It will reduce the possibility of a malfunction in the cooling system from handling during transportation. It is suggested to put the wine fridge in a cool and ventilated place, which will greatly improve the cooling performance.
- Use a soft cloth to clean the interior surface with lukewarm water.
- Install the handle on the left side of the door. If you need to change the direction of the door, please refer to the instructions for changing the direction of the door in the manual.

## Installation of the Wine Cooler

- This appliance is designed to be for free standing or built-in installed (fully recessed). Place your product on a floor that is strong enough to support it when it is fully loaded. To level the product, adjust the front leveling legs at the bottom of the unit.
- Please locate the product away from direct sunlight and sources of heat (stove, heater, radiator, etc.). Due to direct sunlight may affect the acrylic coating and heat sources may increase electrical consumption. Extreme cold ambient temperatures may also cause the unit not to perform properly. Don't install in a location where the temperature will fall below 60°F (16°C). Avoid locating the unit in a moist area.
- For best performance, it is recommended that you install the appliance in a location with an ambient temperature between 72°-78°F. If the ambient temperature is above or below recommended temperatures, the performance of the unit may be affected.

## Built-in Instructions

- For built-in installation, leave a ¼" (6 mm) space on each side and at the top of the wine cooler to ensure proper air circulation to cool the compressor and condenser. Also, be sure to not obstruct the front exhaust vent with any objects as this may affect the unit from performing properly.



## Freestanding Instructions

- For freestanding installation, 5 inch (127mm) of space between the back and sides of the appliance is suggested, which allows the proper air circulation to cool the compressor and condenser.

## Cabinet opening dimensions

- Minimum Width: 23.65" (60.1 cm)
- Minimum Depth: 22.65" (57.6 cm)
- Minimum Height: 32.55" (82.7 cm)

# INSTALLATION SAFETY INSTRUCTIONS

## Electrical Connection

### ⚡ WARNING ⚡

Improper use of the grounded plug can lead to the risk of electrical shocks. If the power cord is damaged, have it replaced by an authorized service center. This appliance should be properly grounded for your safety. The power cord of this appliance is equipped with a three-prong plug that connects to standard three-prong wall outlets to minimize the possibility of electrical shock.

### ⚠ NOTE ⚠

Plug the unit into an exclusive, properly installed wall outlet. Don't under any circumstances cut or remove the third (ground) prong from the power cord. For personal safety, this appliance must be properly grounded. Any questions about power and grounding should be addressed to a certified electrician or authorized service center.

- The appliance should always be plugged into the individual electrical outlet, which has a voltage rating that matches the rating label on the appliance. This provides the best performance and also prevents house wiring circuits from overheating, which can cause fire hazards.
- Never unplug the appliance by pulling the power cord. Keep the plug firmly in place and pull it out straight from the receptacle. Repair or immediately replace all power cords that have become frayed or otherwise damaged.
- Do not use a cord that shows cracks or abrasion damage along its length or at either end. When moving the appliance, be careful not to damage a power cord.
- This appliance requires a standard 115 /120 Volt AC / 60Hz electrical ground outlet with three prongs. Let the wall outlet and circuit be checked by a qualified electrician to make sure that the outlet is properly grounded.
- When you encounter a standard 2 prong wall outlet, it is your responsibility and obligation to replace it with a properly grounded 3-prong wall outlet. The cord should be secured behind the appliance and not left exposed or dangling to prevent accidental injury.

## Power bar with Surge Protection (Recommended)

- Most electrical appliances use a series of electric control boards to operate. These boards are very susceptible to power surges and could be damaged or destroyed. If the appliance is going to be used in somewhere when it is prone to power outages; it's suggested that you use a power surge protector for all electrical appliances you use. The surge protector that you select must have a surge block high enough to protect the appliance it is connected to.
- If you have any questions about the type and size of surge protectors, please contact the licensed electrician around your area.

# INSTALLATION SAFETY INSTRUCTIONS

## Extension Cord

- Due to potential safety hazards under certain conditions, it is strongly recommended that you do not use an extension cord with this device. However, if you must use an extension cord, it must be a UL/CUL Listed with a 3-wire grounding type appliance extension cord having a grounding type plug and outlet, as well as the electrical rating of the cord should be 115 volts and current at least 10 amperes.

## Installing the Handle

This wine fridge includes a stainless steel handle. To install the handle please follow the below instructions:

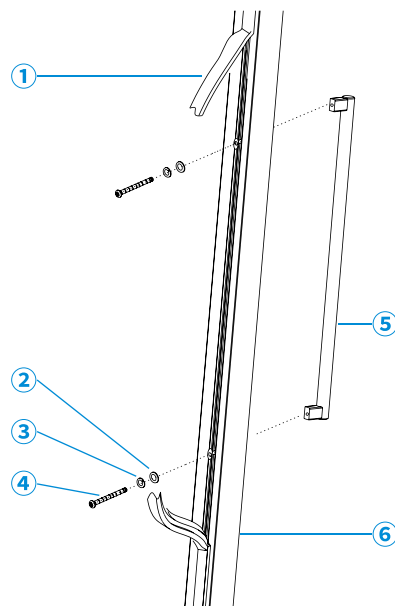
**Step 1:** Remove the door gasket where the handle should be installed on the left side of the door, as shown below. You won't need a tool since the gasket can be removed by hand. You can start with a corner if you can't remove it from the center.

**Step 2:** Use the two handle screws, lock washer and flat washer included in the bag containing the instruction manual and insert them into the side of the door from the inside to the outside.

**Step 3:** Align the holes in the handle with the screws, tighten the screws using the screwdriver until the base of the handle is at the level of the door and the handle is tight but not too tight to damage the assembly.

**Step 4:** Replace the gasket the door in place.

**Tips:** If you need to remove the nut on the door to change the direction of the handle, pull open the sealing strip and find the slotted screw. Note that because there are two screws, please find the slotted screw, not the cross screw. By turning it counterclockwise, the nut on the door can be easily removed.



- ① Gasket
- ② Flat washer
- ③ Lock washer
- ④ Screw
- ⑤ Handle
- ⑥ Door frame

# INSTALLATION INSTRUCTIONS

## Installing Reversing the Door

1. Please remove the bottom hinge holder ② by unscrewing the two lock screws ①. Be careful to hold the glass door firmly after removing the screws. **Please check Figure 1**
2. Gently pull down to remove the glass door from the right top hinge and place it on a padded surface to avoid the risk of damage. Remove the lower hinge on the vent grill by using a screwdriver and moving it to the right side of the door where the door was just removed from the hinge.
3. Unscrew and transfer the lower hinge ⑥ and lower hinge holder ③ to the opposite side, making sure to line up the screw holes. **Please check Figure 2**
4. Using a flat-head screwdriver, gently pry up the decorative hinge cover plate from the top left of the unit and the round black decorative cover caps on the upper left side corner of the inside cabinet frame. Use them to cover the screw holes from the right-hand side.
5. Move the top hinge from the right-hand side to the left-hand side of cabinet ⑦ by removing the screws. **Please check Figure 3/4**
6. Relocate the door to the left-hand side of cabinet by placing the door hinge holes into the hinge, then screw the bottom hinge assembly onto the left designated position and tighten after the door is leveled. **Please check Figure 4**
7. Peel the door gasket back to reveal the re-installed door handle screws and decorative screw covers. Using a small flat-head screwdriver unscrew and reverse the location of the door handle screws with the screw covers.
8. Install the door handle using the handle installation instructions.

Figure 1

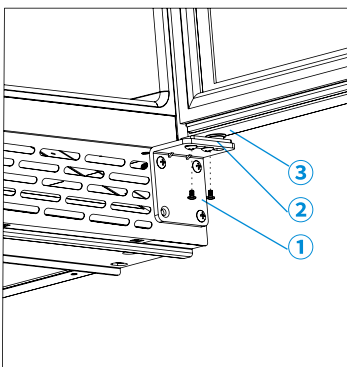


Figure 2

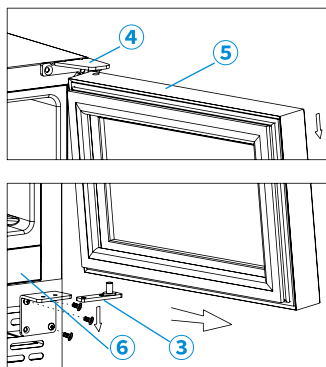


Figure 3

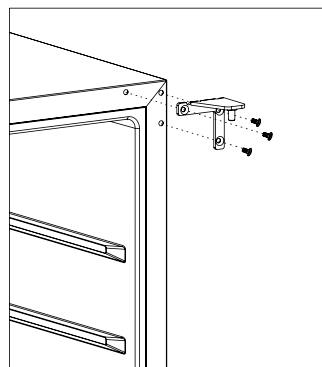
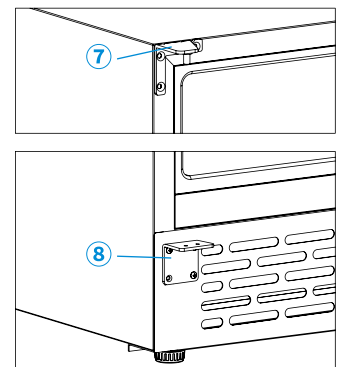


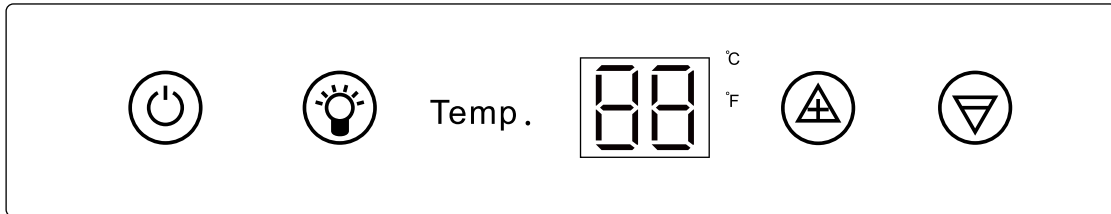
Figure 4








# OPERATING YOUR WINE CELLAR

It is recommended you install the wine fridge in a place where the ambient temperature is between 19°C-24°C (66°F-75°F). If the ambient temperature is above or below the recommended temperature, the unit's performance may be affected. For example, placing your unit in extreme cold or hot conditions can cause interior temperatures to fluctuate. The range of 40°F - 65°F (5°C - 18°C) may not be reached.

## Control Panel



-  **ON/OFF:**  
To turn on or turn off the unit, press the ON/OFF buttons at the same time for 5 seconds.
-  **INSIDE LIGHTING:**  
To turn on or turn off the lighting, press the light button.
-  **TEMPERATURE DISPLAY:**  
Press the light button for 5 seconds. The display will change and show your preference(°C or °F).
-  **[+] BUTTON:** To increase the temperature by 1°C or 1°F
-  **[-] BUTTON:** To decrease the temperature by 1°C or 1°F

### **NOTE**

- If the unit is unplugged, if the power is lost or turned off, you must wait for 3 to 5 minutes before restarting the unit. If you try to restart before this time delay, the wine fridge will not start.
- When you use the wine fridge for the first time or restart the wine fridge after having been shut off for a long time, there could be a few degrees variance between the temperature you select and the one indicated on the LED readout. This is normal and it is due to the length of the activation time. Once the wine fridge is running for a few hours, everything will be back to normal.

## Setting Temperature

- The temperature range of wine cooler(YEG-WS24) is 40°F-65°F(5°C-18°C). The temperature will increase by 1°C or 1°F if you touch UP once, or the temperature will decrease by 1°C or 1°F if you touch DOWN once. To view the set temperature at any time, touch the UP or DOWN marks. The set temperature will temporarily flash in the LED display for 5 seconds and show the set temperature in blue.

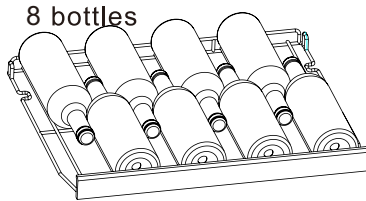
### **NOTE**

This product is designed for storing and cooling wine. It is not intended for the storage of perishable foods.

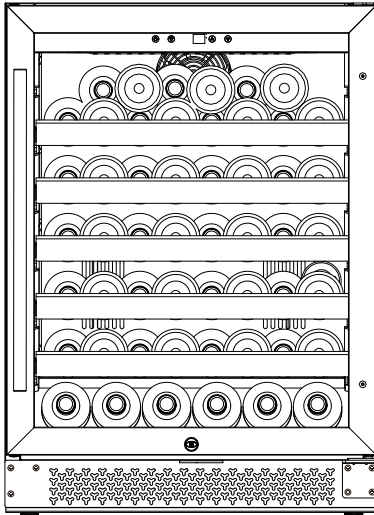
# OPERATING YOUR WINE CELLAR

## Large Storage Capacity

- The first layer of the wine cooler is reserved for a large layer space that can be placed 14 bottles of traditional Bordeaux 750ml wine. The wine fridge is equipped with 5 removable premium metal wire wooden shelf layers that can be placed in 8 bottles of wine each layer. 6 wine bottles can be placed at the bottom of the space.



About a total of 52 bottles.



## Door Lock

- Your unit is provided with a lock and key. The keys are inside the plastic bag containing the instruction manual. Insert the key into the lock and turn it counterclockwise to open the door. To lock the door, do the reverse operation and make sure the metal pin is fully engaged. Remove the key and put it in a safe place.

## Recommended Temperature Settings

Wine Conservation	°C	°F
sparkling wines	5-8	40-47
Rose wines	10-11	49-51
Dry/white wines	9-14	48-57
Red wines	15-22	58-72

### NOTE

Wine bottles on bottom shelf cannot be longer than 12 inches.

## Shelves

- This wine fridge is equipped with 5 pcs of wire shelves with a wooden front and you can move the shelves out smoothly.
- To prevent damaging the door gasket, make sure to open the door all the way when pulling the shelves out of the product. For easy access to the bottles, you must pull about 1/3 of the shelves out of the wine fridge.

## Moving The Wine Fridge

1. Remove all items (wine bottles)
2. Tape down securely all loose items inside your appliance.
3. Turn the adjustable leg up to the base to avoid damage.
4. Tape the door shut.
5. Make sure the appliance stays in an upright position during transportation. If you need to transport the wine fridge horizontally, please transport the wine fridge on its back (door on top).
6. Protect the outside of the appliance with a blanket or a similar item.

# OPERATING YOUR WINE CELLAR

## Cleaning the Wine Fridge

- Turn off the power, unplug the appliance and remove all items, including shelves. Wash the inside surfaces with warm water and a baking soda solution. The solution should be about 2 tablespoons of baking soda to 1 cup of water. Wash the shelves with a mild detergent solution. Wring excess water out of the sponge or cloth when cleaning the control area or any electrical parts. Wash the outside cabinet with warm water and mild liquid detergent. Rinse well and wipe dry with a clean soft cloth.

### ⚠ ATTENTION ⚠

- Please do not disconnect the unit during operation to avoid you exposing yourself to risk of electric shock or personal injury.

## Automatic Defrosting

- The unit defrosts automatically. The evaporator behind the rear wall of the unit automatically defrosts. The condensate collects in the drainage channel behind the rear wall of the unit and flows by the compressor through the drainage hole into the drip tray, where it evaporates.

## Power Failure

- Most power failures are corrected within a few hours and should not affect the temperature of your appliance if you minimize the number of times the door is opened. If the power is going to be off for a long time, you need to take the proper steps to protect your wine fridge.

## Charcoal Filtration System

- Your wine fridge is equipped with an active charcoal filtration system to ensure air purity and maintain an odor-free cabinet for storage of your wine. The filter is located at the bottom of the rear panel in your wine refrigerator. Keep in mind that this filter should be changed every 12 months.

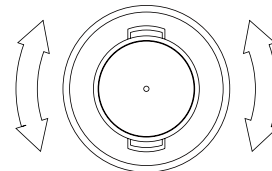
1. Remove the bottles of wine stored on the two shelves in front of the filter.

2. Remove the shelves and set them aside to be replaced once you have changed the filter

3. Hold the filter and turn it at 45 degrees in the counter-clockwise direction and then pull it out.

4. Remove the existing filter and replace it with a new one.

5. Put the new filter into the hole and then turn the filter at 45 degrees in the clockwise direction.



## Energy Saving Tips

- The wine fridge should be located in the coolest area of the room, away from heat generating appliances and out of direct sunlight. Ensure that the unit has adequate ventilation on all sides. Never cover any air vents.

# TROUBLESHOOTING GUIDE

You can solve many common wine cellar problems easily, saving you the cost of a possible service call. Please try the suggestions below to see if you can solve the problem before emailing the service team.

PROBLEM	POSSIBLE CAUSE	SOLUTION
<b>wine fridge does not operate.</b>	Not plugged in. The appliance is turned off. The circuit breaker tripped or a blown fuse.	Plug the unit. Turn on the unit. Check the breaker and/or fuses.
<b>wine fridge is not cold enough.</b>	External environment may require a higher setting. The door is opened too often. The door is not closed completely. The door gasket does not seal properly.	Check the temperature control setting. Close the door properly. Check the door gasket.
<b>The compressor turns on and off frequently.</b>	The room temperature is hotter than normal. A large amount of contents has been added to the cellar. The door is opened too often. The door is not closed completely. The temperature control is not set correctly. The door gasket does not seal properly.	Close the door properly. Check the door gasket.
<b>The fans turn on and off frequently.</b>	In order to circulate the air and maintain the set temperature inside the cabinet the fans must cycle on and off even when the compressor is off. The fans will cycle ON and OFF while the compressor is off approximately every 20 seconds, this is called "Semi-speed status". This cycle is normal and meant both to circulate the air as well as ensure the continued operational status of the fans. If the fan stops completely and does not complete this cycle the fan is non-operational.	
<b>Fan is always running</b>	This is simply a function of the cooling system. The lower the setting, the more the fan will run. If the room is very warm, the cooler will run more. The unit has been designed to run continuously when operating at the lower temperatures.	
<b>The light does not work.</b>	Not plugged in. The circuit breaker tripped or a blown fuse. The light button is "OFF".	Plug the unit. Check the breaker and/or fuses.
<b>Vibrations.</b>	The cellar does not be leveled The bottles are vibrating. There is an object under the Cellar.	Check to assure that the Cellar is level. Make sure the bottles don't touch each others. Remove the object.
<b>The product seems to make too much noise.</b>	The unit is not level.	Level the cellar. The rattling noise may come from the flow of the refrigerant, which is normal. As each cycle ends, you may hear gurgling sounds caused by the flow of refrigerant in your cellar. Contraction and expansion of the inside walls may cause popping and crackling noises.
<b>Display shows: E1, E2, E5, E6, EU</b>	Temperature sensor failure or communication error	Call service center
<b>Inside light flashes</b>	In some instances, this is normal the light may flash when the automatic defrost function starts to work. Set temperature is higher than inner temperature.	Adjust temperature to resolve
<b>Frost appears in cabinet (on back)</b>	Either too much humidity or too low of temperature inside cabinet.	Unplug cellar and allow to manually defrost. Reconnect when ice has melted. If problem persists, contact for service instructions.
<b>The door will not close properly.</b>	The Cellar is not level. The door was reversed and not properly installed. The gasket is dirty. The shelves are out of position.	Level the cellar. Close the door properly. Clean the door gasket. Place the shelves properly.

# LIMITED WARRANTY

## 1 YEAR WARRANTY

- For one year from the date of delivery by the original owner, we will repair or replace any part of the unit, which proves to be defective in material or workmanship under normal use.
- During this period, we will provide all parts necessary to correct such defects free of charge, so long as the unit has been installed and operated according to the instructions from the manual.

## 3 YEAR WARRANTY

- For the 2nd to 3rd year from the date of the original delivery, we will provide a replacement compressor free of charge for failure.
- You are responsible for the charges of service labor and freight. The cost of moving the wine fridge to the storehouse of the seller and back to the user's home is the user's responsibility.

## WHAT IS NOT COVERED

- Damage due to such things as an accident, misuse, abuse, mishandling, neglect, acts of God, fires, earthquakes, floods, high winds, government, war, riot or labor troubles, strikes, lockouts, delay by the carrier, or any cause beyond the control of the Seller whether similar or dissimilar to the foregoing.
- Content losses due to spoilage.
- The following parts and labor costs will not be considered as a warranty:
  - *Door springs and frames.*
  - *Inner door panels, door rails and door supports.*
  - *Light bulbs and plastic housing.*
  - *Plastic cabinet liners.*
- Punctured evaporator that voids the warranty on the complete sealed system. Repairs performed by unauthorized servicers.
- Service calls that do not involve defects in material or workmanship, such as customer education, door reversal or proper installation.
- Service calls that are related to external problems, such as abuse, misuse inadequate electrical power, accidents fire, floods, or acts of God.
- Replacement of house fuses or resetting circuit breakers.
- Failure of the product if it is used for other than its intended purpose.
- The warranty does not apply outside Canada or the Continental USA.

Purchaser understands and acknowledges that the goods purchased are wine cellars, which house wines. Purchaser assumes all risks of using this unit, including the risk of spoilage, humidity variations, temperature variations, leaks, fire, water damage, mold, mildew, dryness, and similar perils that might occur.

# CUSTOMER SERVICE

**Read this guide carefully.** It is intended to help you operate and maintain your new wine cooler properly. Keep it handy to answer your questions.

Keep proof of original purchase date (such as your sales slip) with this guide to establish the warranty period.

Save time and money. Before you call for service, check the Troubleshooting Guide. It lists causes of minor operating problems that you can correct yourself.

**Delivery / Pick up Date :** \_\_\_\_\_

**Model Number :** YEG-WS24

**Serial Number :** \_\_\_\_\_

## Contact Us

We're proud of our service and want you to be pleased. If for some reason you are not happy with the service you receive, here are some steps to follow for further assistance. First, contact the people who serviced your wine cellar. Explain why you are not pleased. In most cases, this will solve the problem.

Next, if you are still not pleased, write all the details, including your telephone number, and send it to:

<b>Address</b>	
<b>Phone</b>	
<b>Fax</b>	
<b>Email</b>	
<b>Online</b>	