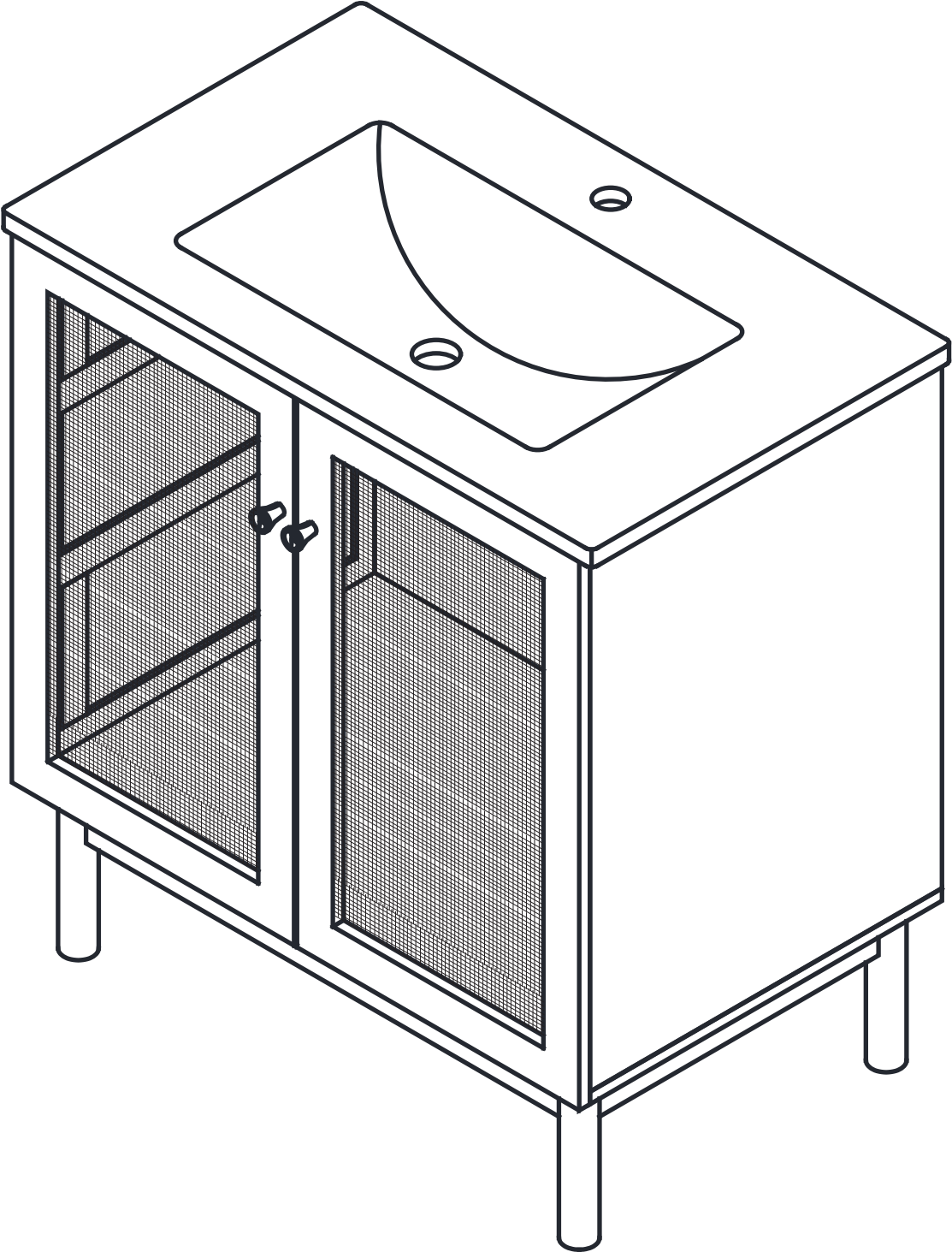
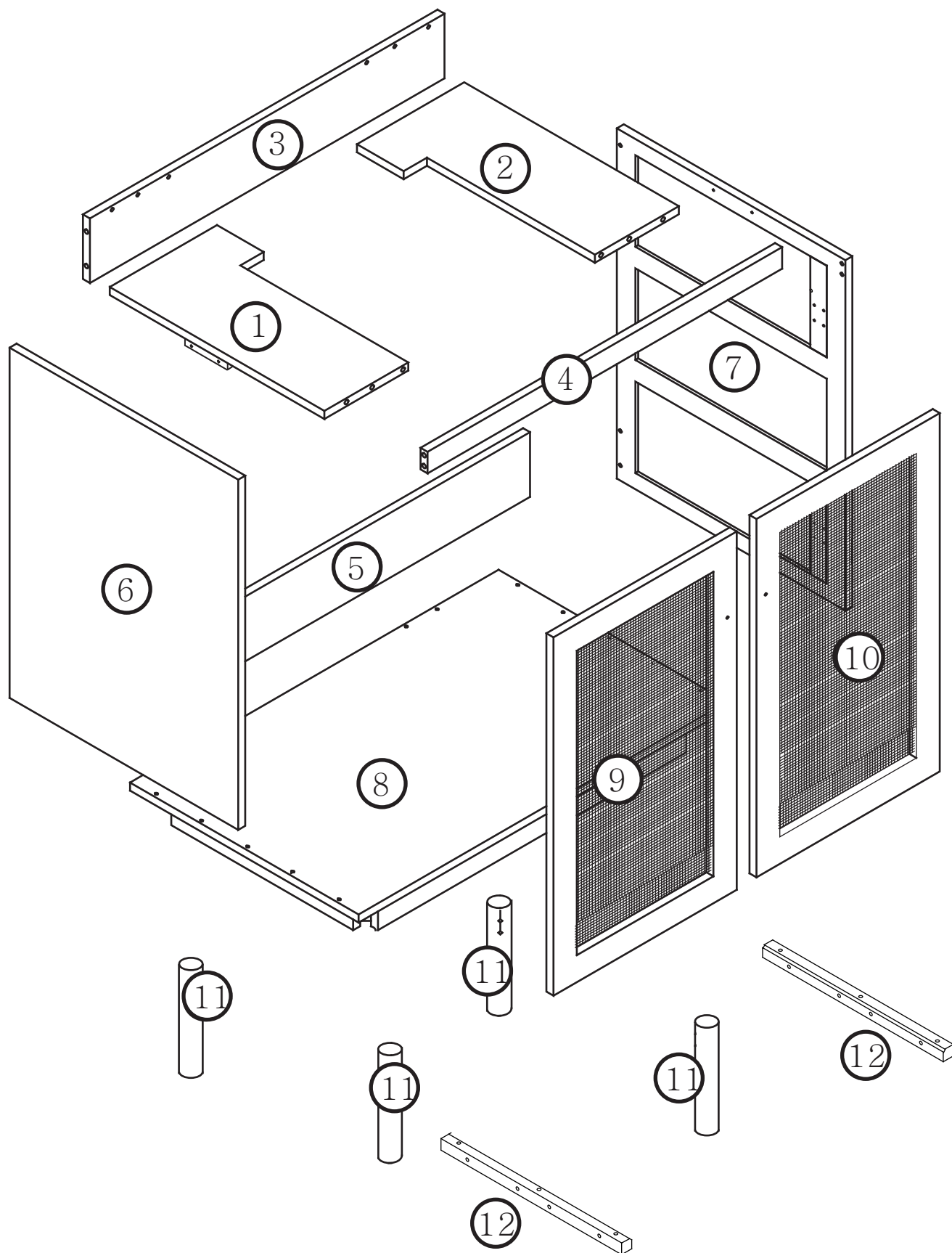
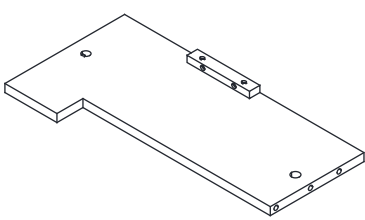
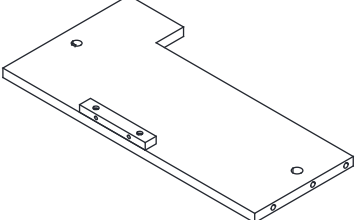
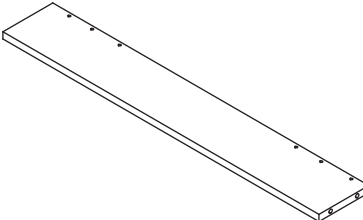
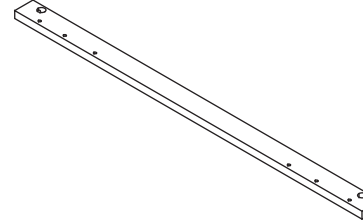
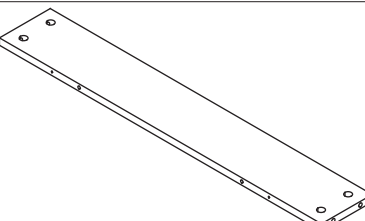
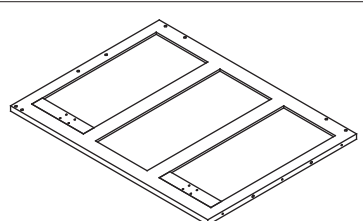
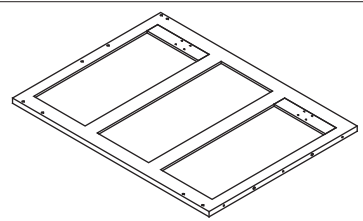
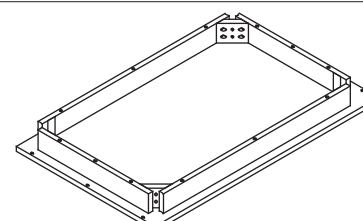
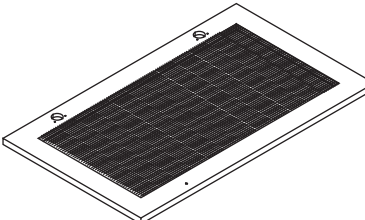
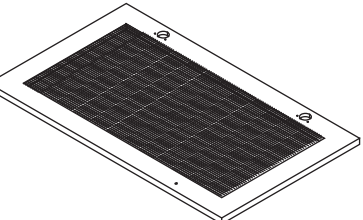
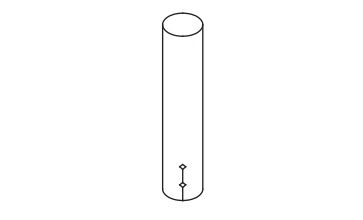
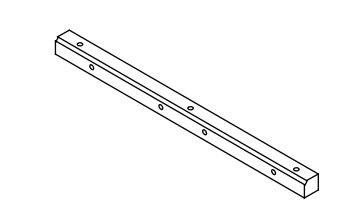
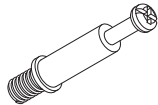
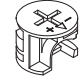
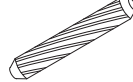
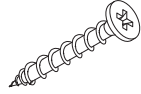


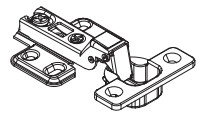
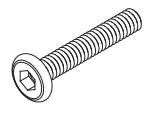
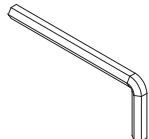
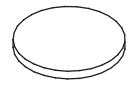
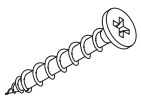
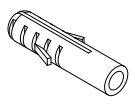


ASSEMBLY INSTRUCTION



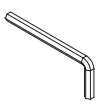


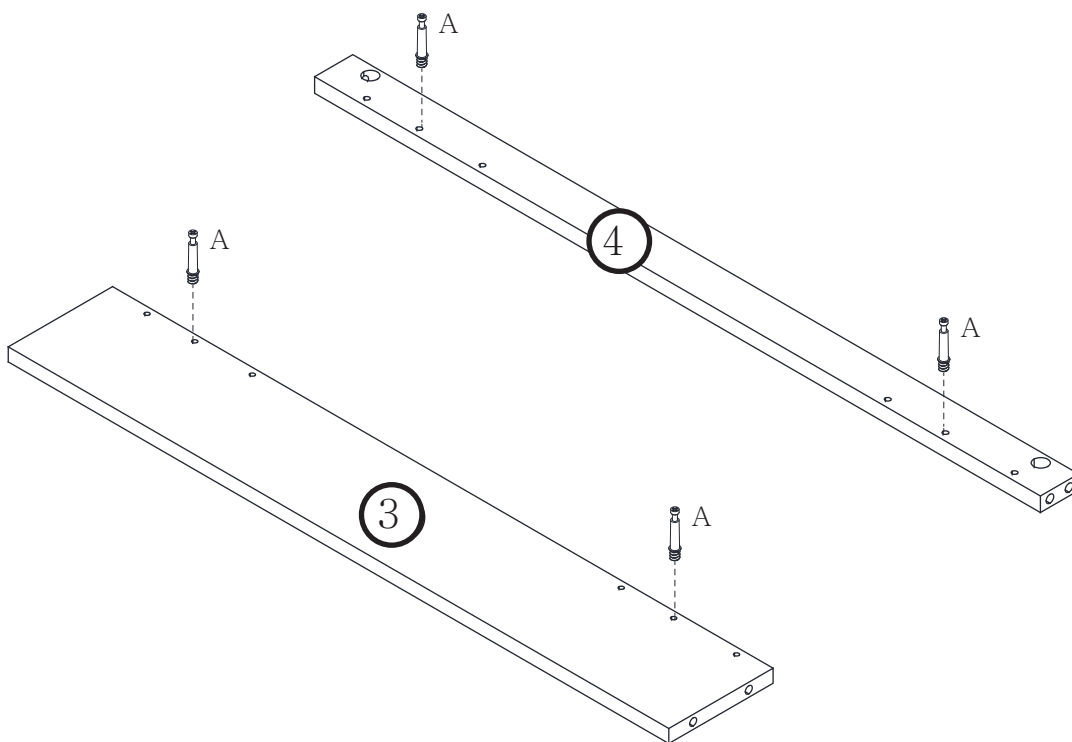
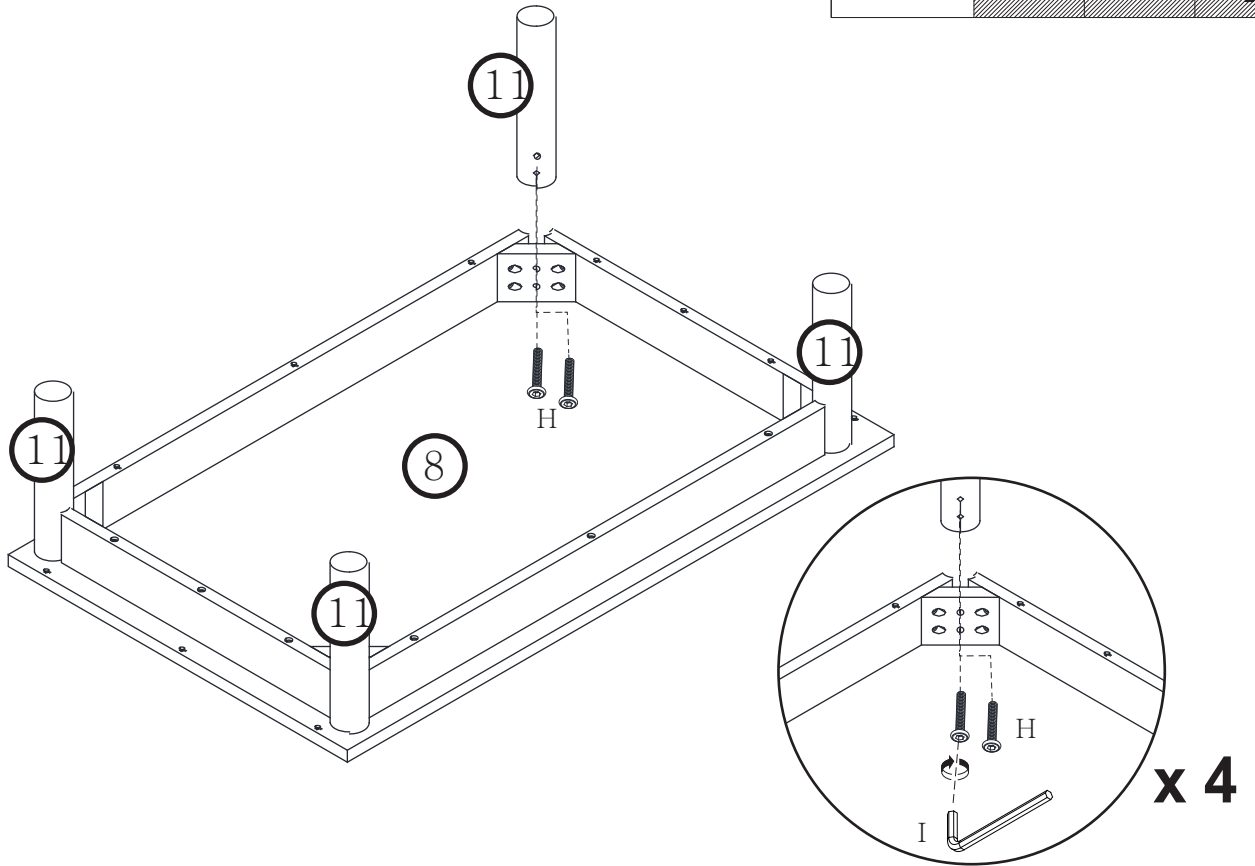
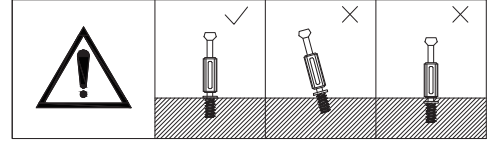


			
① x1	② x1	③ x1	④ x1
			
⑤ x1	⑥ x1	⑦ x1	⑧ x2
			
⑨ x1	⑩ x1	⊠ x4	⑫ x2




A * 14+1	B * 14+1	C * 16+1	D * 14+1	E * 24+2
				
M6 X 35mm	Ø15 x 10mm	Ø6 x 30mm	Ø4 x 40mm	Ø4 x 12mm
F * 2	G * 4	H * 8	I * 1	J * 4
				
		Ø6 x 55mm		
K * 14	L * 2			
				
Ø4 x 30mm				

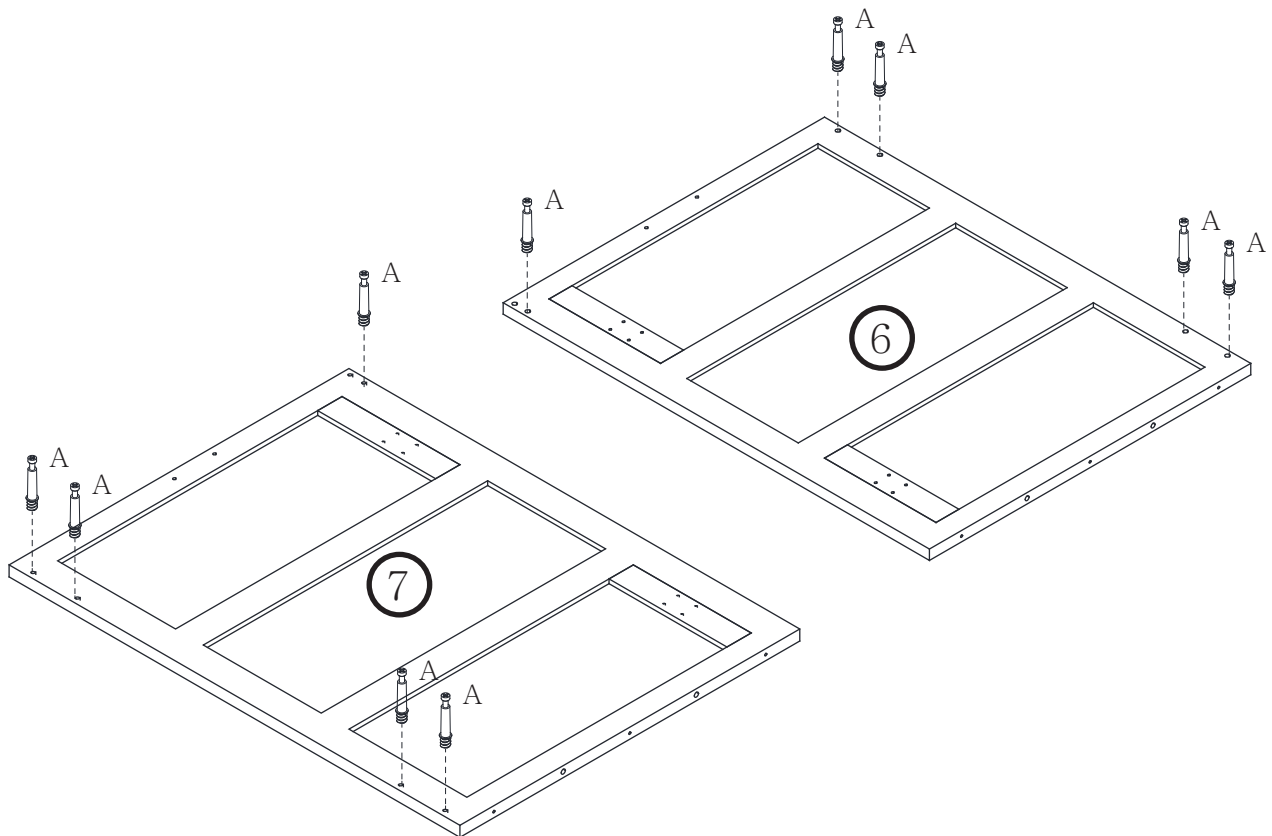
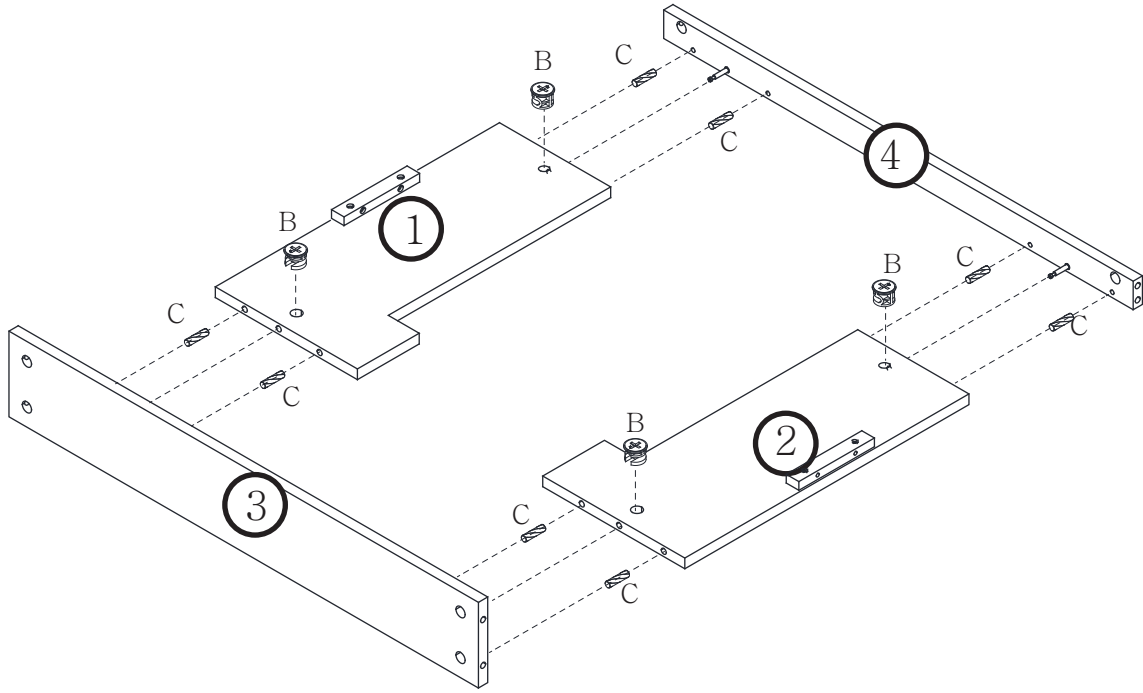
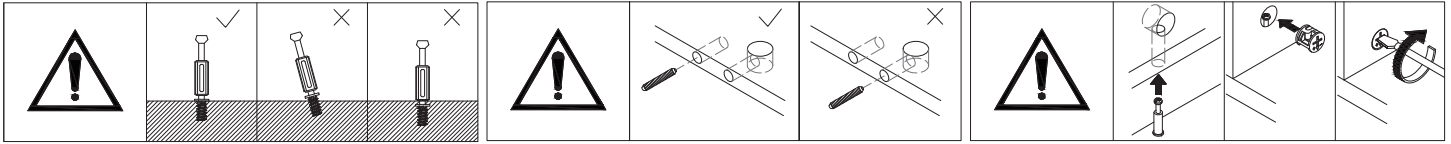
Step 1

A * 4	H * 8	I * 1
 M6 X 35mm	 Ø6 x 55mm	



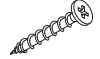


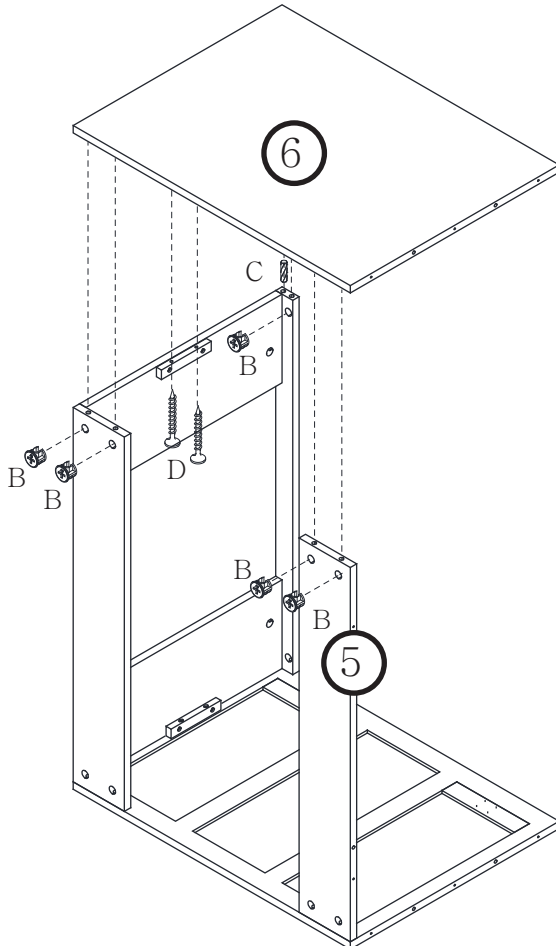
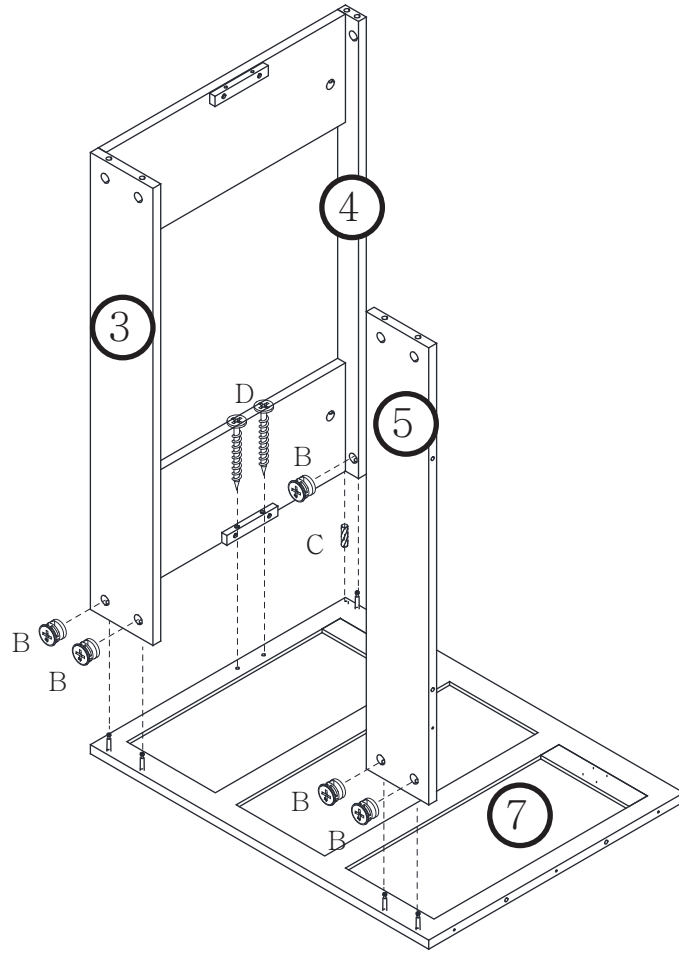
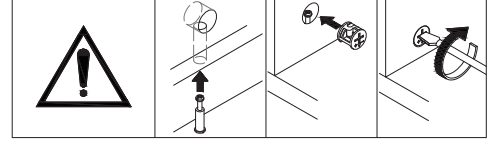
Step 2

A * 10	B * 4	C * 8
 M6 X 35mm	 Ø15 x 10mm	 Ø6 X 30mm





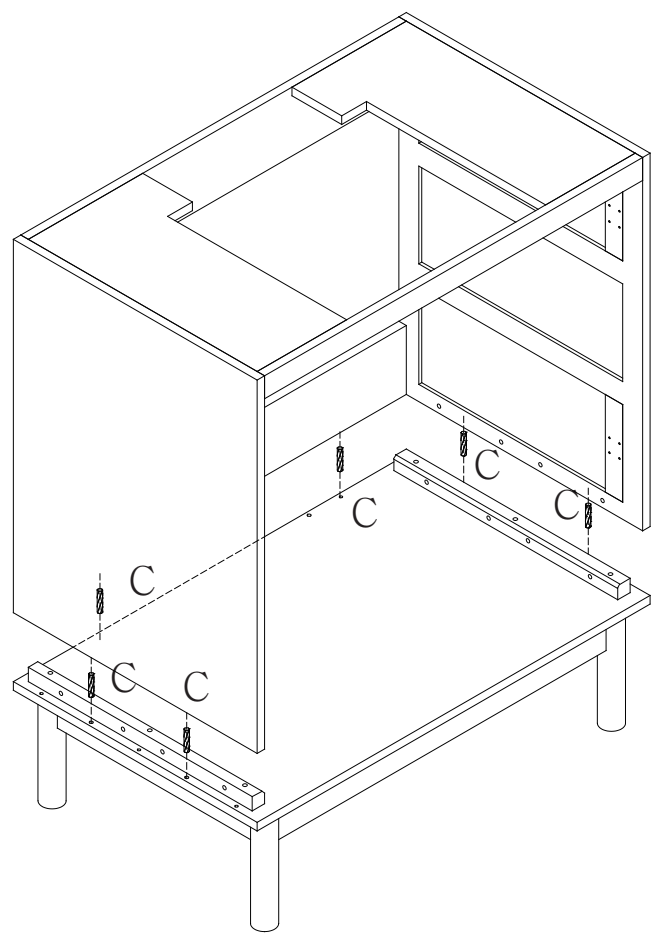
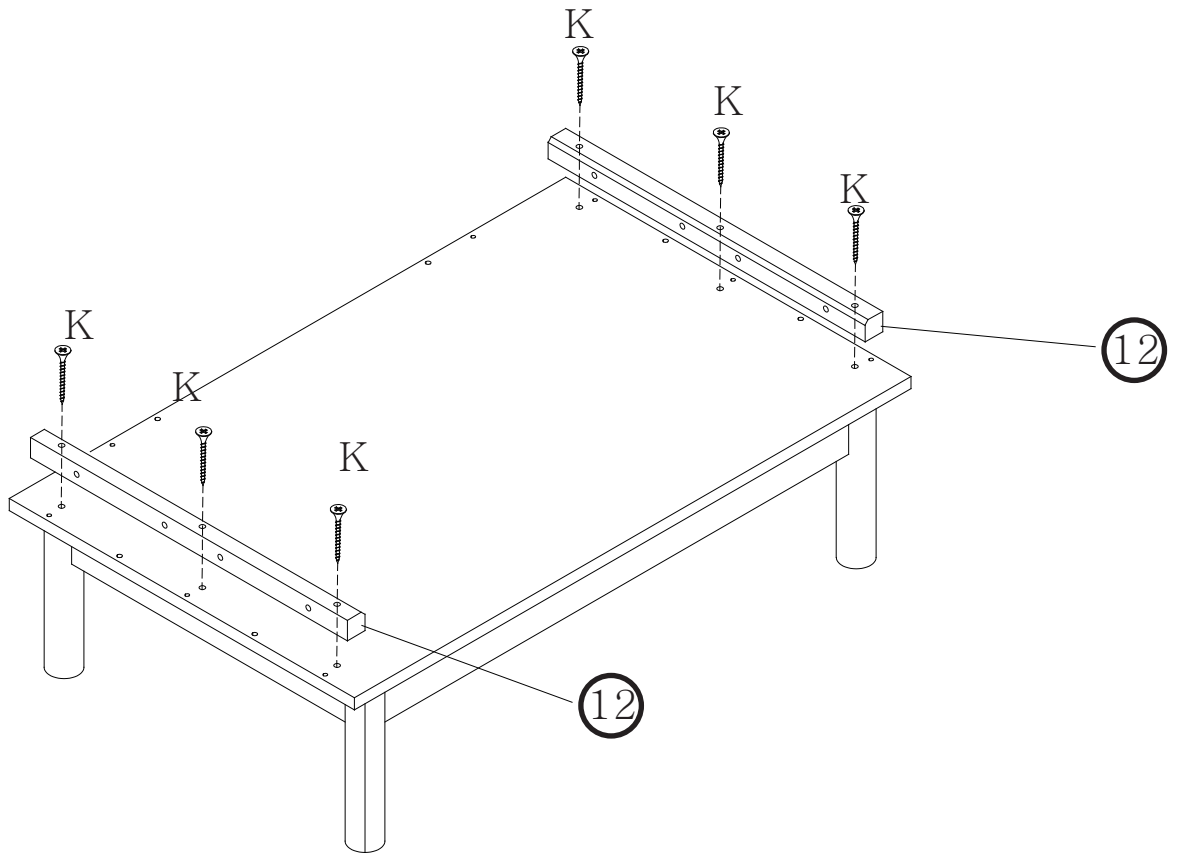
Step 3

B * 10  Ø15 x 10mm	C * 2  Ø6 x 30mm	D * 4  Ø4 x 40mm
---	---	---





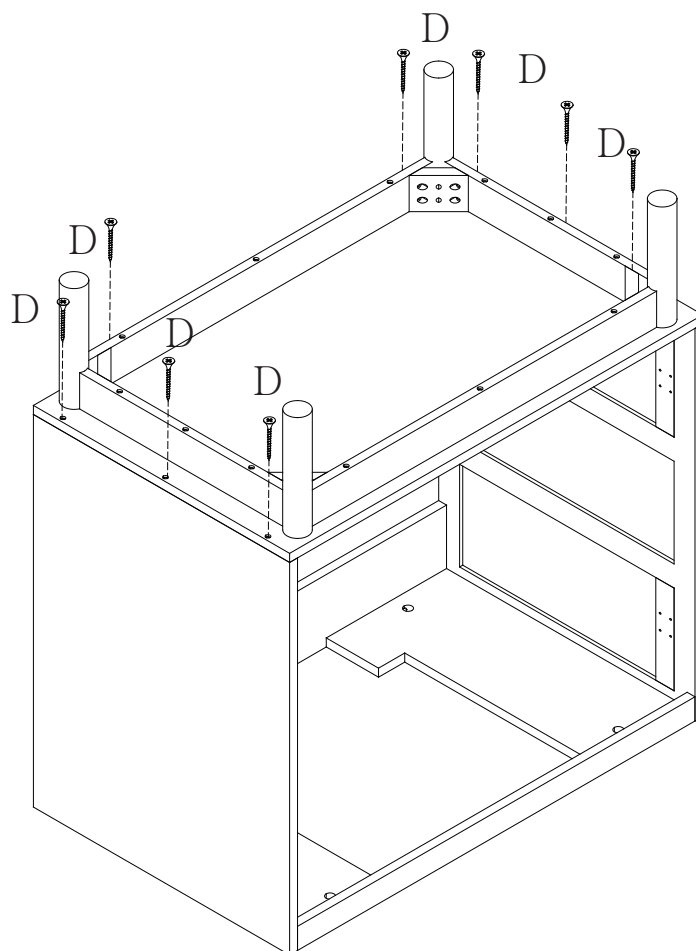
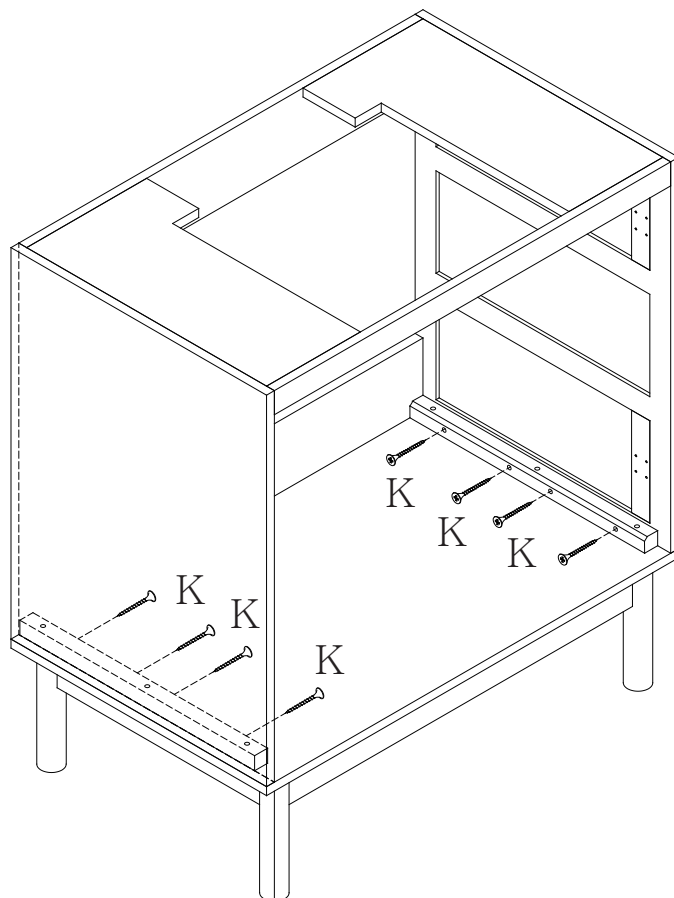
Step 4

C * 6	K * 6
	
Ø6 x 30mm	Ø4 x 30mm


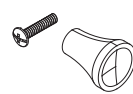
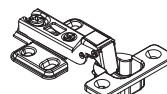


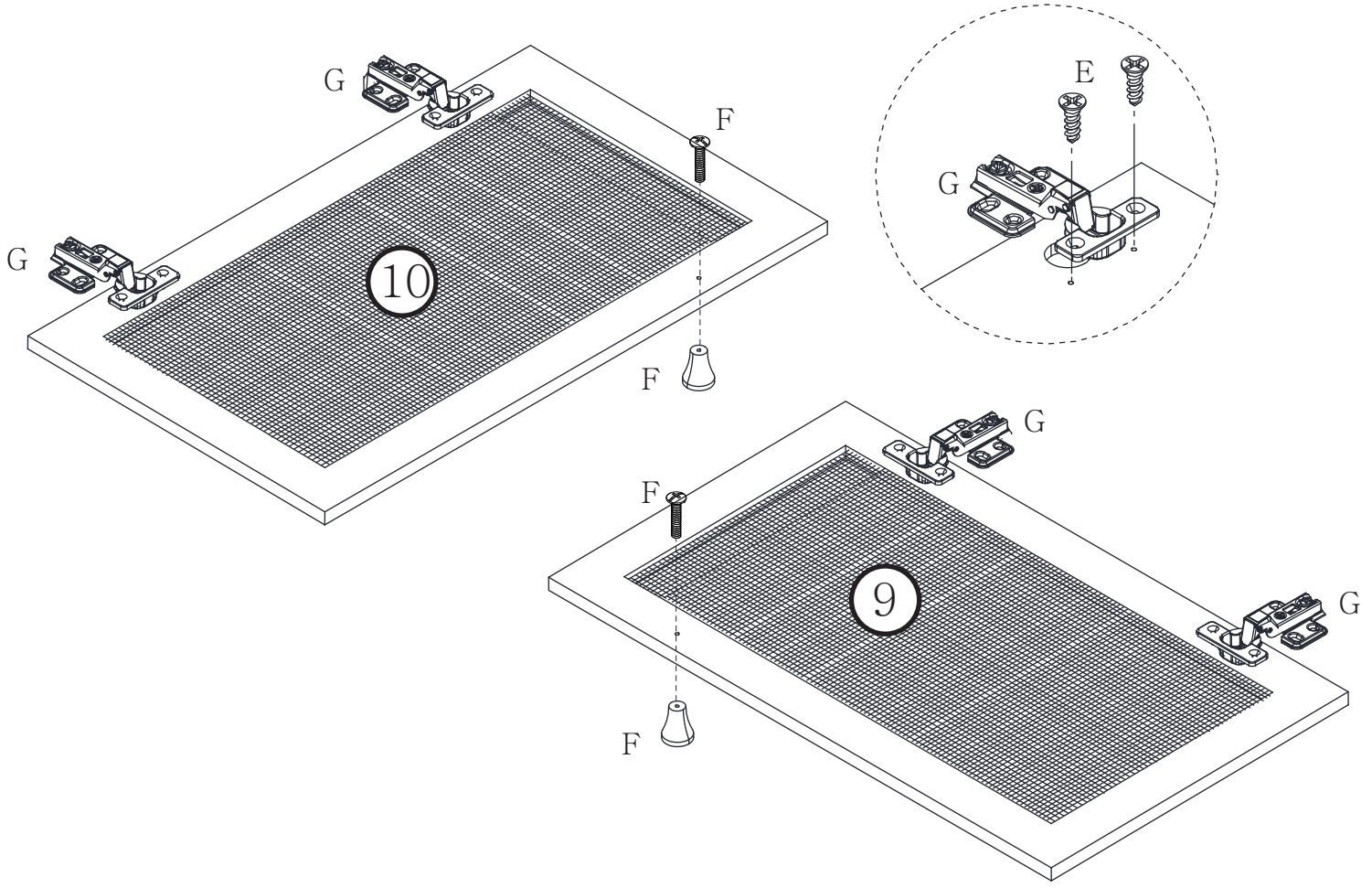
Step 5

D * 8	K * 8
	
Ø4 x 40mm	Ø4 x 30mm




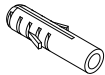


Step 6

E * 8	F * 2	G * 4
 Ø4 x 12mm		



Step 7

E * 16  Ø4 x 12mm	J * 4 	D * 2  Ø4 x 40mm	L * 2 
--	--	---	---

