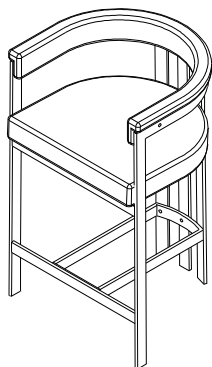


ASSEMBLY INSTRUCTIONS



+ Do Not Use Power Tools



+ Suggested Adults

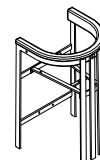


1 Read instructions cover to cover.

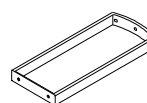
2 Save all packaging until assembly is completed.

+ Parts Included

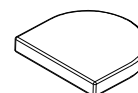
① Base x1pc



② Rail x1pc



③ seat x1pc



1 IMPORTANT SAFETY INFORMATION Do

not assemble the product if any of the following parts arrived damaged:

Part 1 - Counter stool base Part
2 - Counter stool rail Part 3 -
Counter stool seat

Do not assemble if any of the following Hardware parts are missing:

Part A - Allen Key Part E - Shrapnel Part B - Bolt Part F -
Gasket Part C - Bolt Part D - Bolt

2 IMPORTANT ASSEMBLY INFORMATION

Assembly Step If loosening persists, please make sure to tighten all the bolts periodically, or use a thread locker adhesive.

+ Hardware Included

A Allen Key x1pc
4#



B Bolt x3pcs
M6x16



C Bolt x2pcs
M6x10



D Bolt x3pcs
M6x30



E Shrapnel x3pcs
Ø13

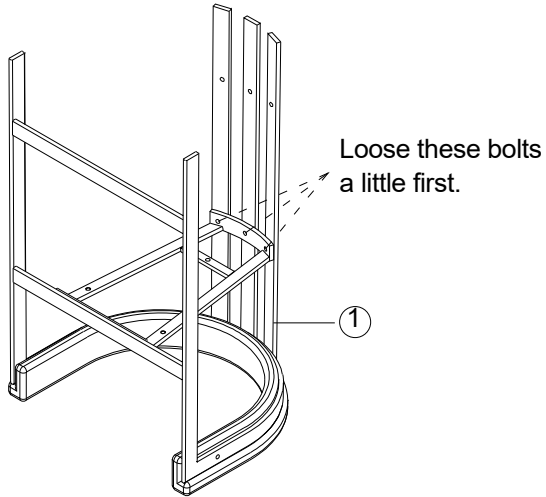


F Gasket x3pcs
Ø16xØ6

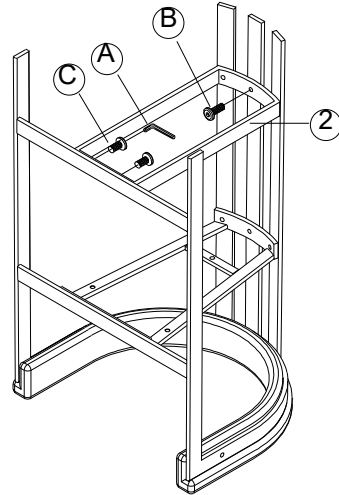


ASSEMBLY INSTRUCTIONS

1

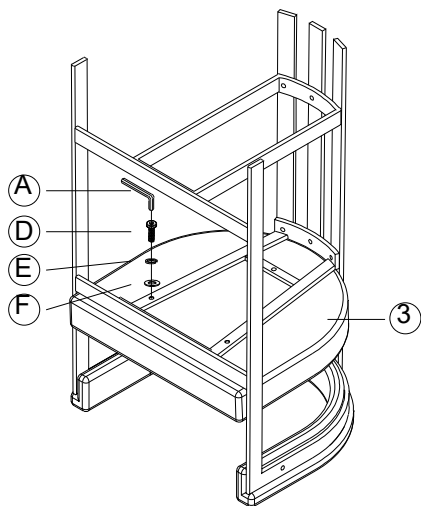


2



Please don't over tighten bolts.

3



Tighten all the bolts.

4

