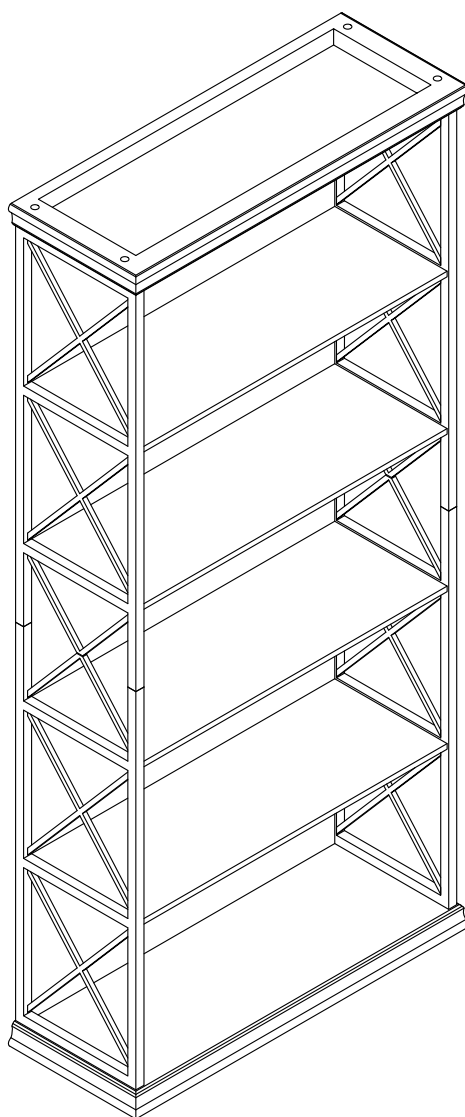


Tribesigns

LITTLE TREE

Assembly Instructions



Model No. HOGA-F1997

Storage shelf

Call us!

We're here to help!

If you have any issues with this product, please contact our customer service team before returning it.



We want you to be completely satisfied with your purchase! If anything is missing, damaged, incorrect, or not what you expected, don't worry. Please keep the outer packaging and take photos of both the packaging and products, and then reach out to us at support@tribesigns.com or call us at 1-424-220-6888. We'll take care of everything and send you a free replacement, so you can enjoy your purchase as soon as possible without any hassle.

Assembly Instructions:

1. Carefully read these instructions and keep them for future reference.
2. Refer to the parts list for guidance and ensure that you have all the pieces before starting the assembly process, if anything is missing, damaged, incorrect, contact us **FIRSTLY BEFORE** assembling.
3. When assembling, place all parts on a soft, clean, and flat surface, such as a carpet, to prevent any scratches.
4. To avoid misalignment of the holes, Please don't fully tighten the screws until you ensure all parts are in place.

Follow Tribesign:



Facebook



Twitter



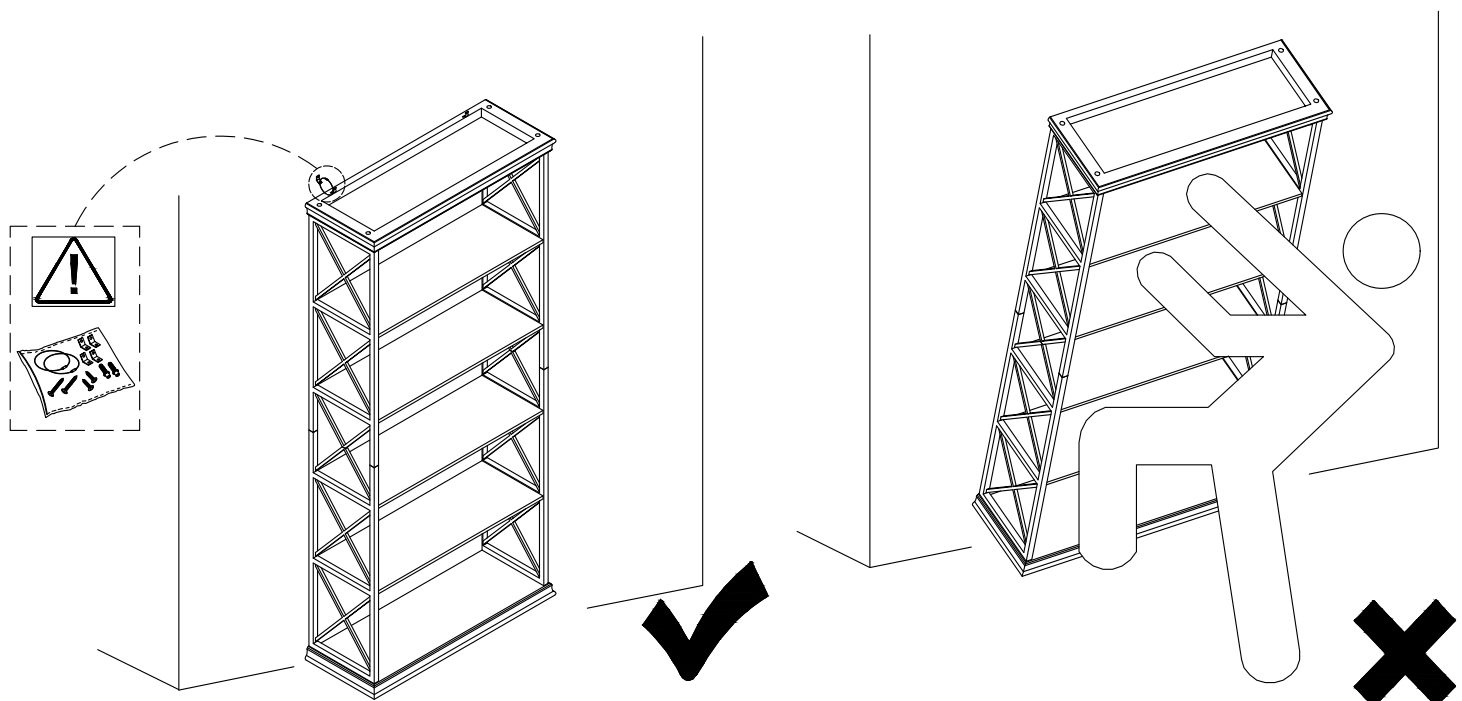
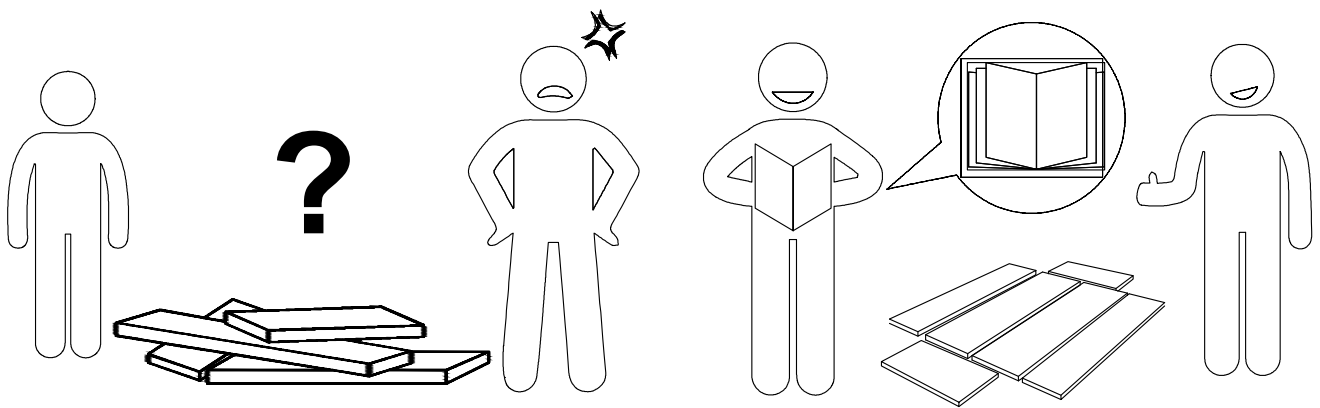
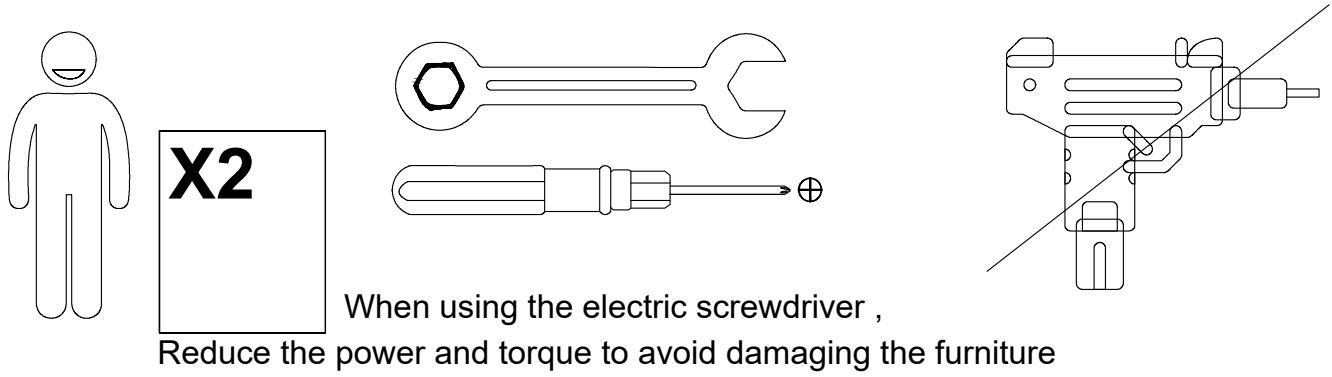
Pinterest



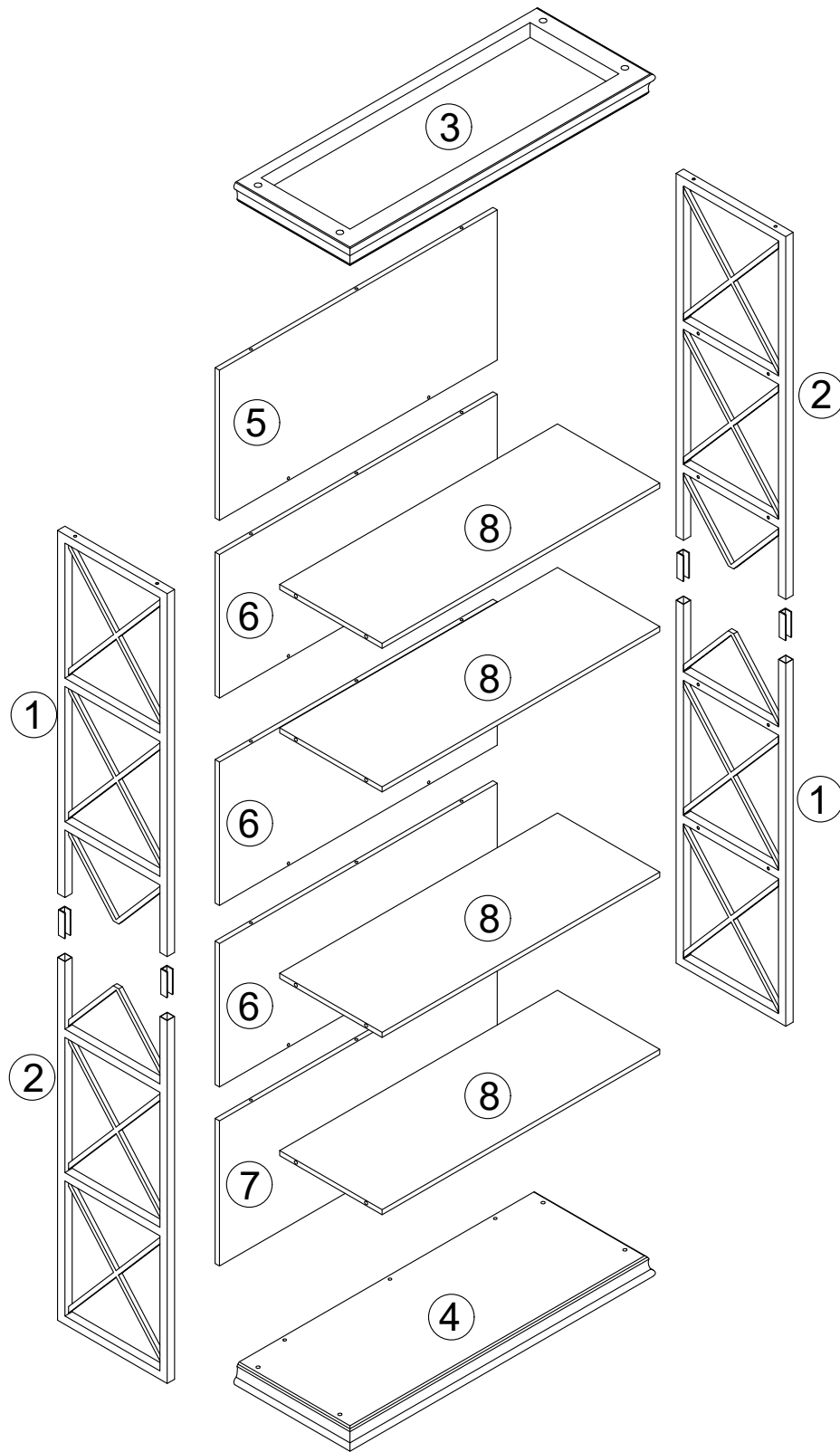
YouTube

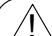


Instagram



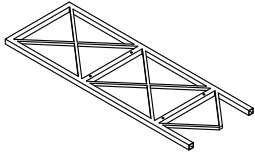
(Install tip-over restraint provided)
Use of tip-over restraints may only reduce but not eliminate,
the risk of tip-over.



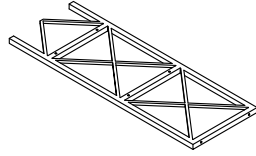
 Caution

Make sure all parts are included. Most board parts are labeled or stamped on the raw edge. Contact us for free replacement if having damaged or missing parts.

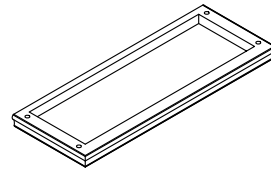
Parts & Hardware List



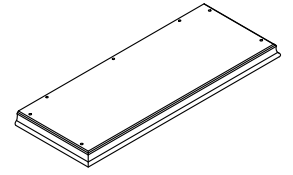
① 2pcs



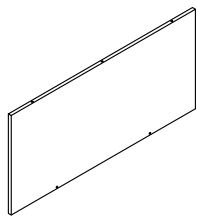
② 2pcs



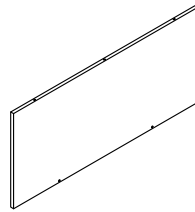
③ 1pc



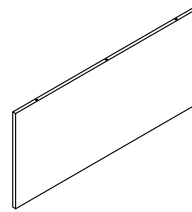
④ 1pc



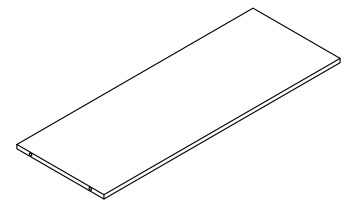
⑤ 1pc



⑥ 3pcs




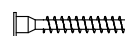
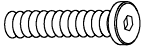
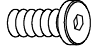


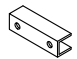
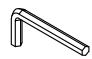




⑦ 1pc



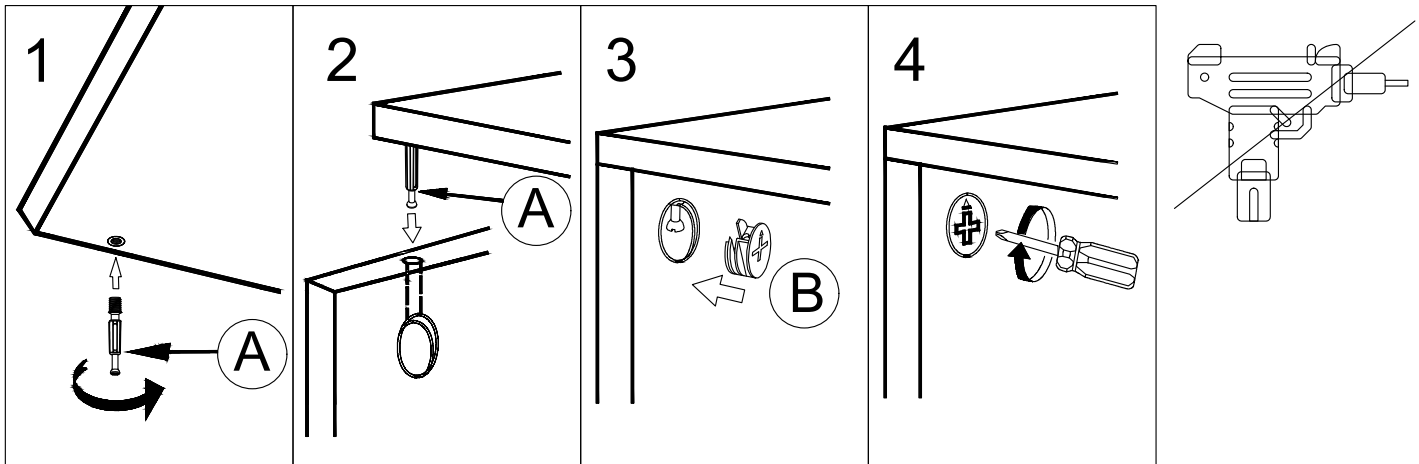
⑧ 4pcs

Hardware List

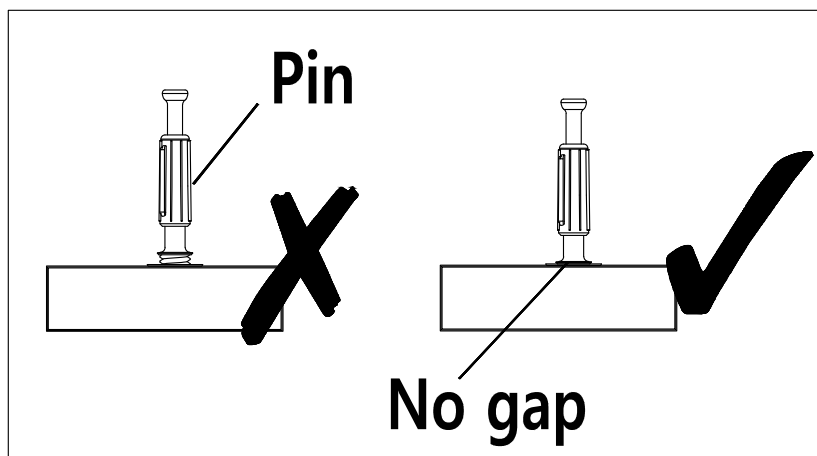
A	X16+1	B	X16+1	C	X18+1	D	X8+1	E	X8+1	F	X8+1	G	X16	H	X4
															
Ø6X35mm	Ø15X12mm	Ø6X30mm	Ø5X40mm	M6X40mm	M6X12mm	Ø20mm	Ø14X4mm								
I	X4	J	X1	K	X1	L	X1								
															
60x17x17mm	M4X55mm	M3X55mm													

Installation of Cams and Pins

Screw the pin into the hole. To set the cams correctly, ensure that the arrow on the cam is opening to the hole of the pin it is locking. Lock the cam by turning the cam head with a screwdriver until it is tightened. Please do not use an electric screwdriver to assemble the unit.

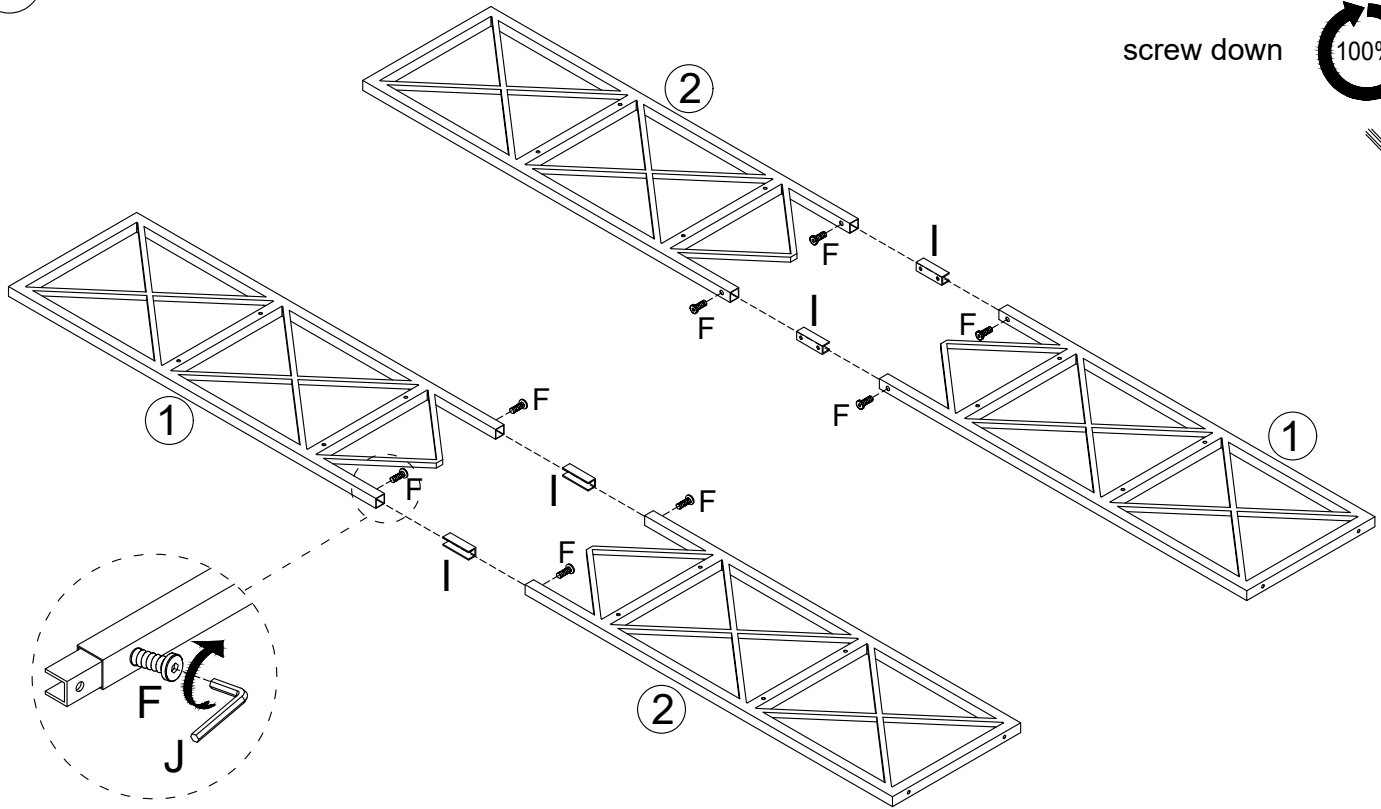


Read each step carefully before starting. It is very important that each step of instruction is performed in the correct order. If these steps are not followed in sequence, assembly difficulties will occur.



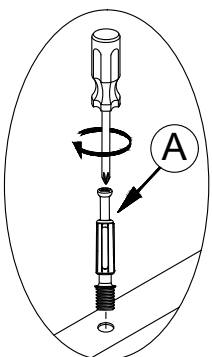
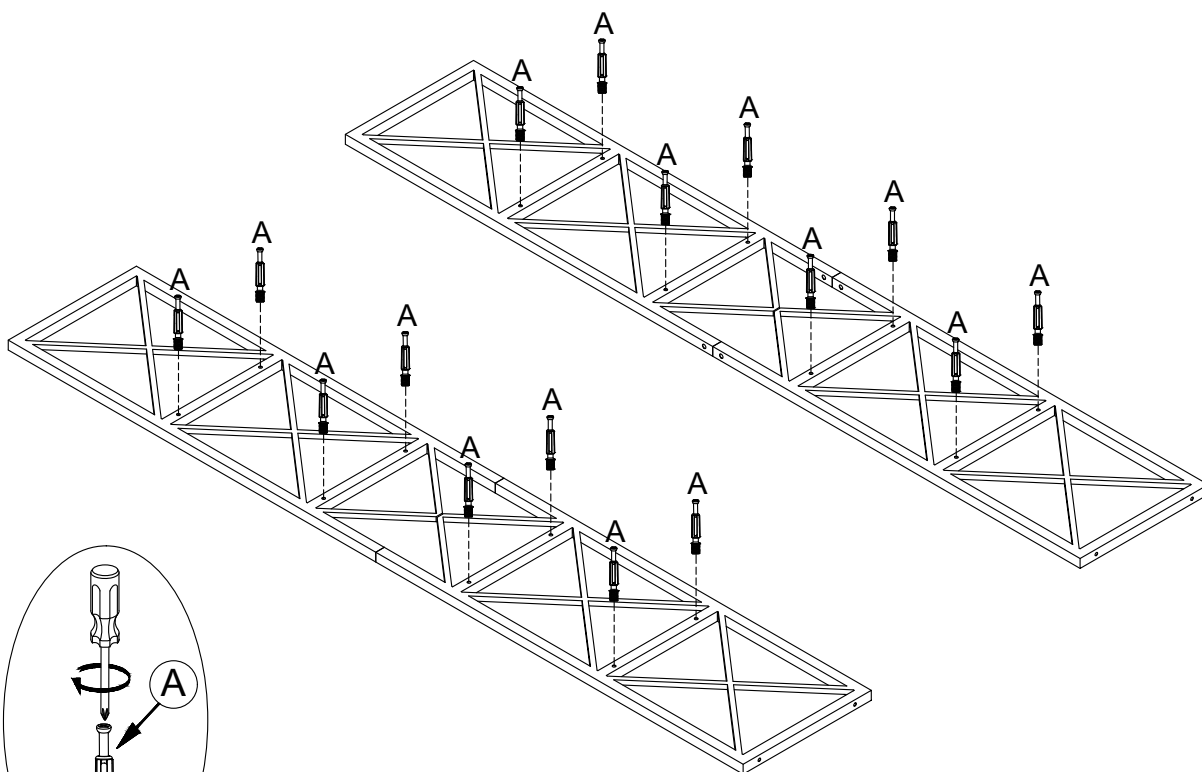
1

screw down



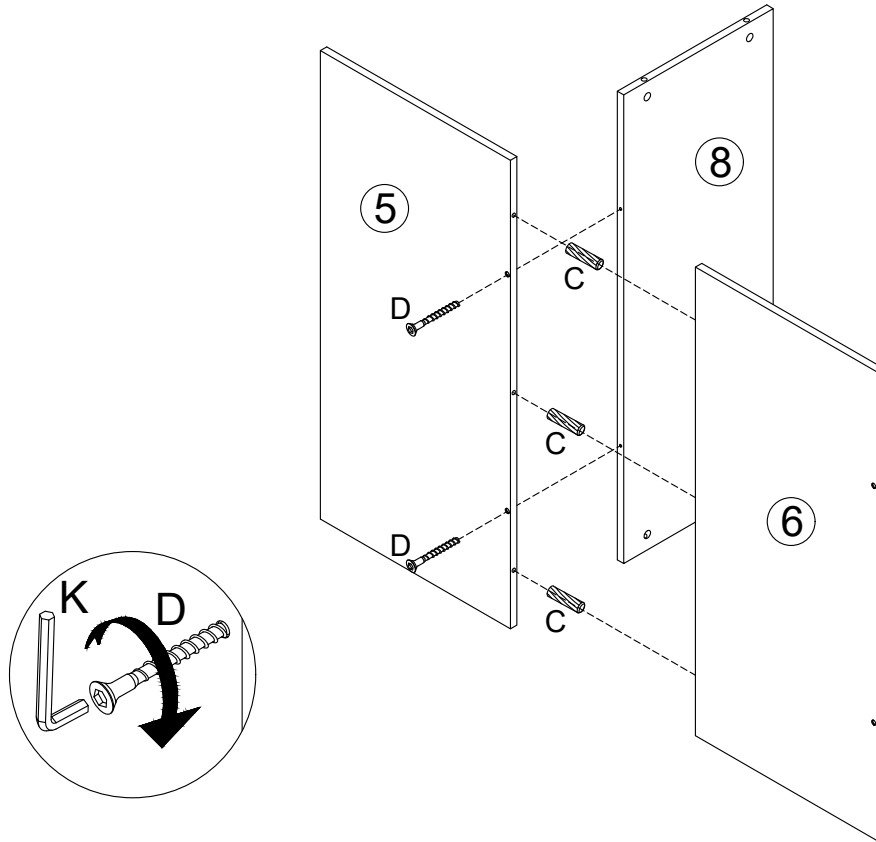
I	X4	F	X8
60x17x17mm		M6X12mm	


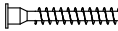
2



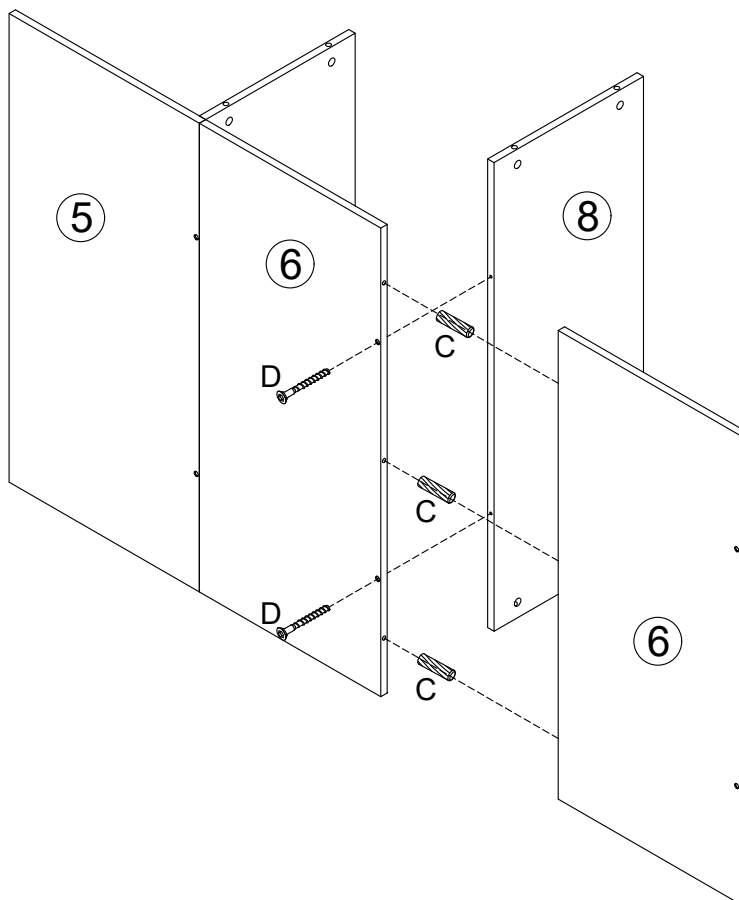
A	X16
Ø6X35mm	


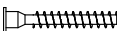
3



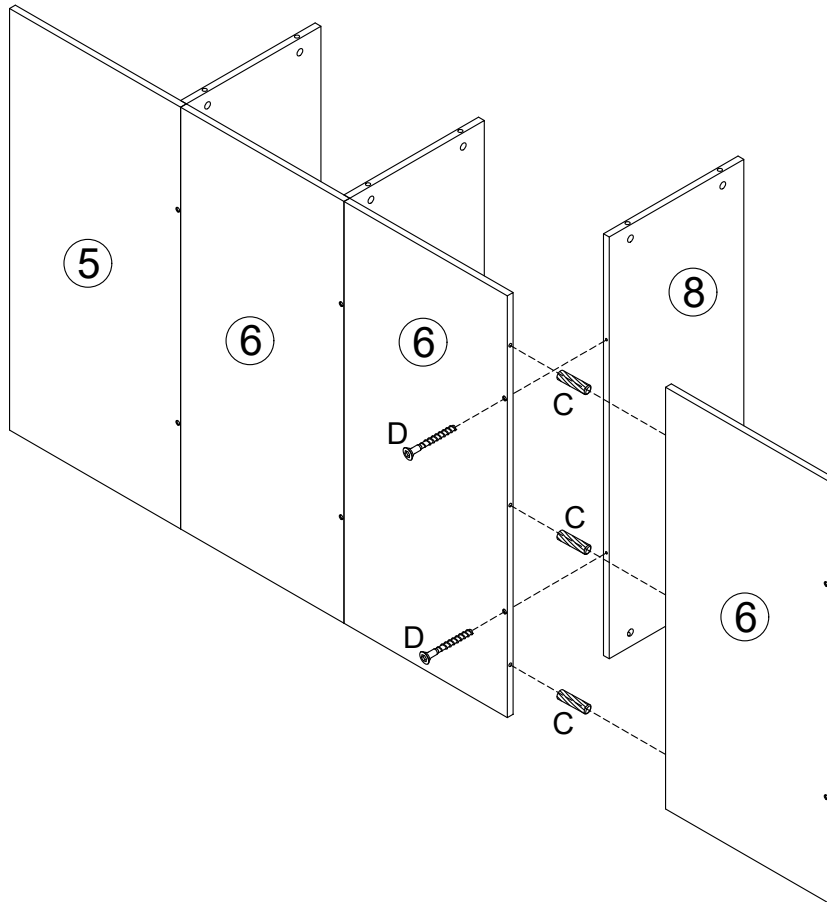
C	X3	D	X2
			
Ø6X30mm		Ø5X40mm	


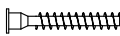
4



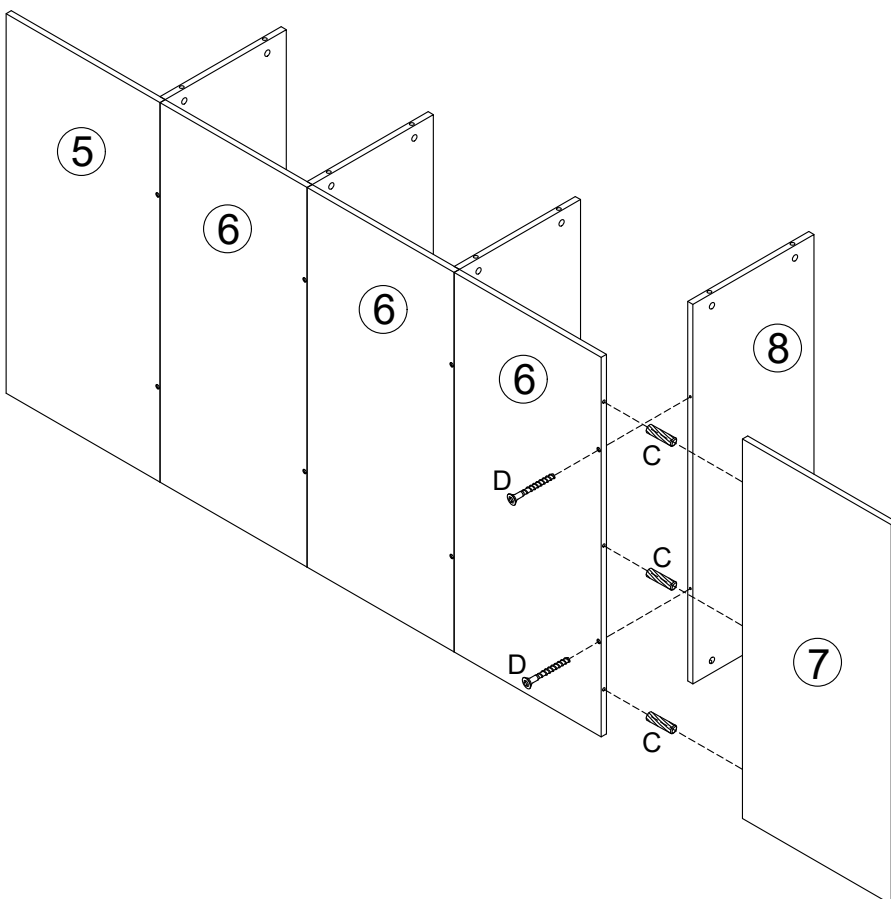
C	X3	D	X2
			
Ø6X30mm		Ø5X40mm	


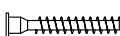
5



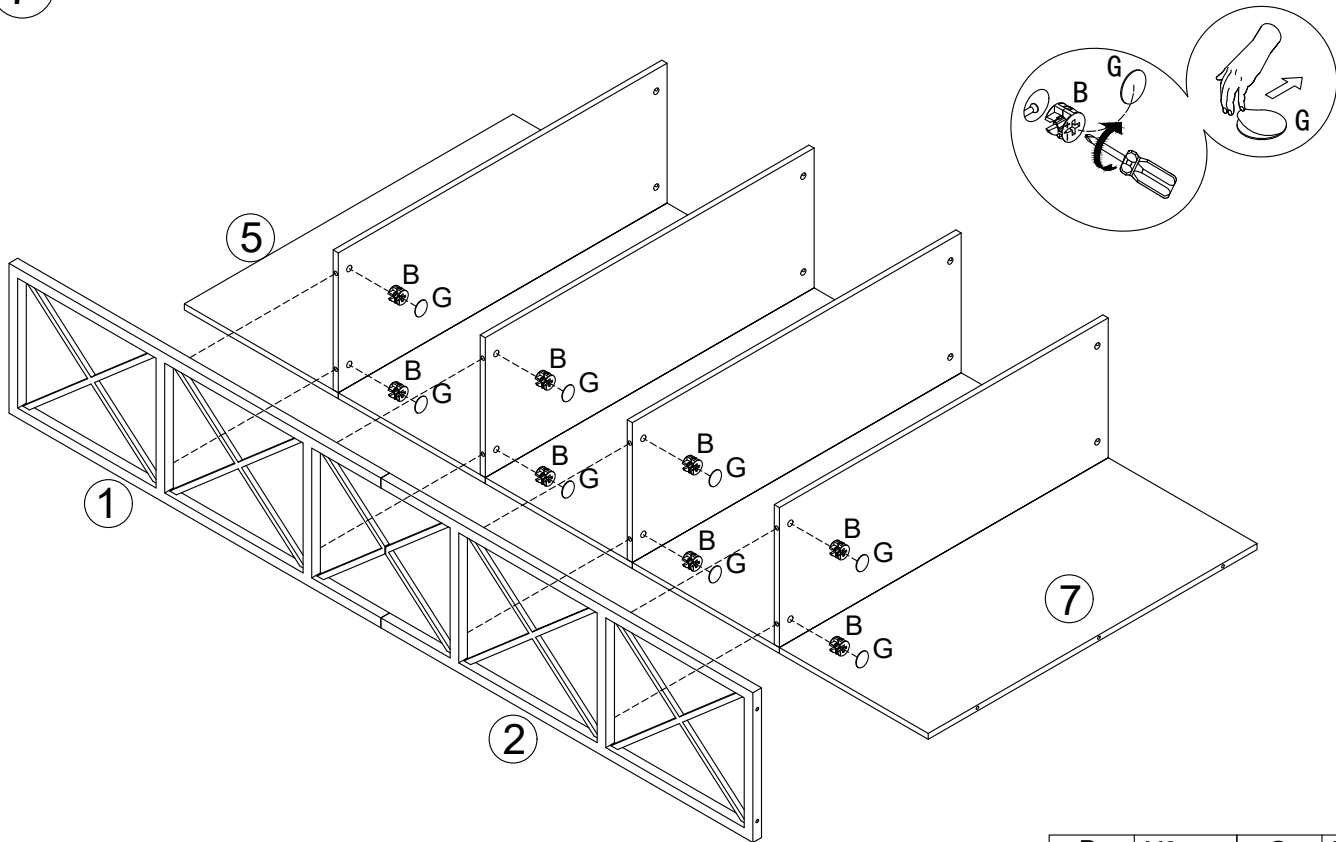
C	X3	D	X2
			
Ø6X30mm		Ø5X40mm	



6



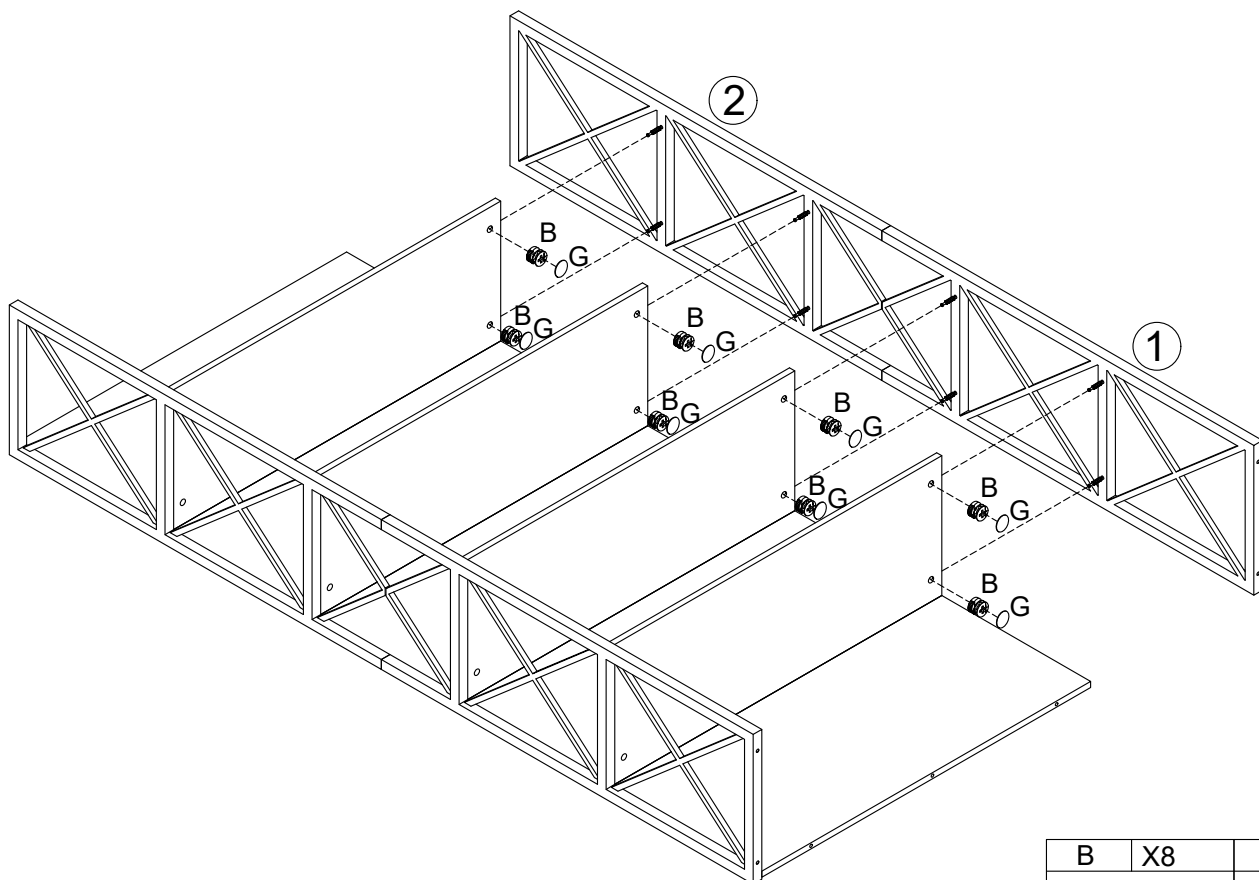
C	X3	D	X2
			
Ø6X30mm		Ø5X40mm	



7



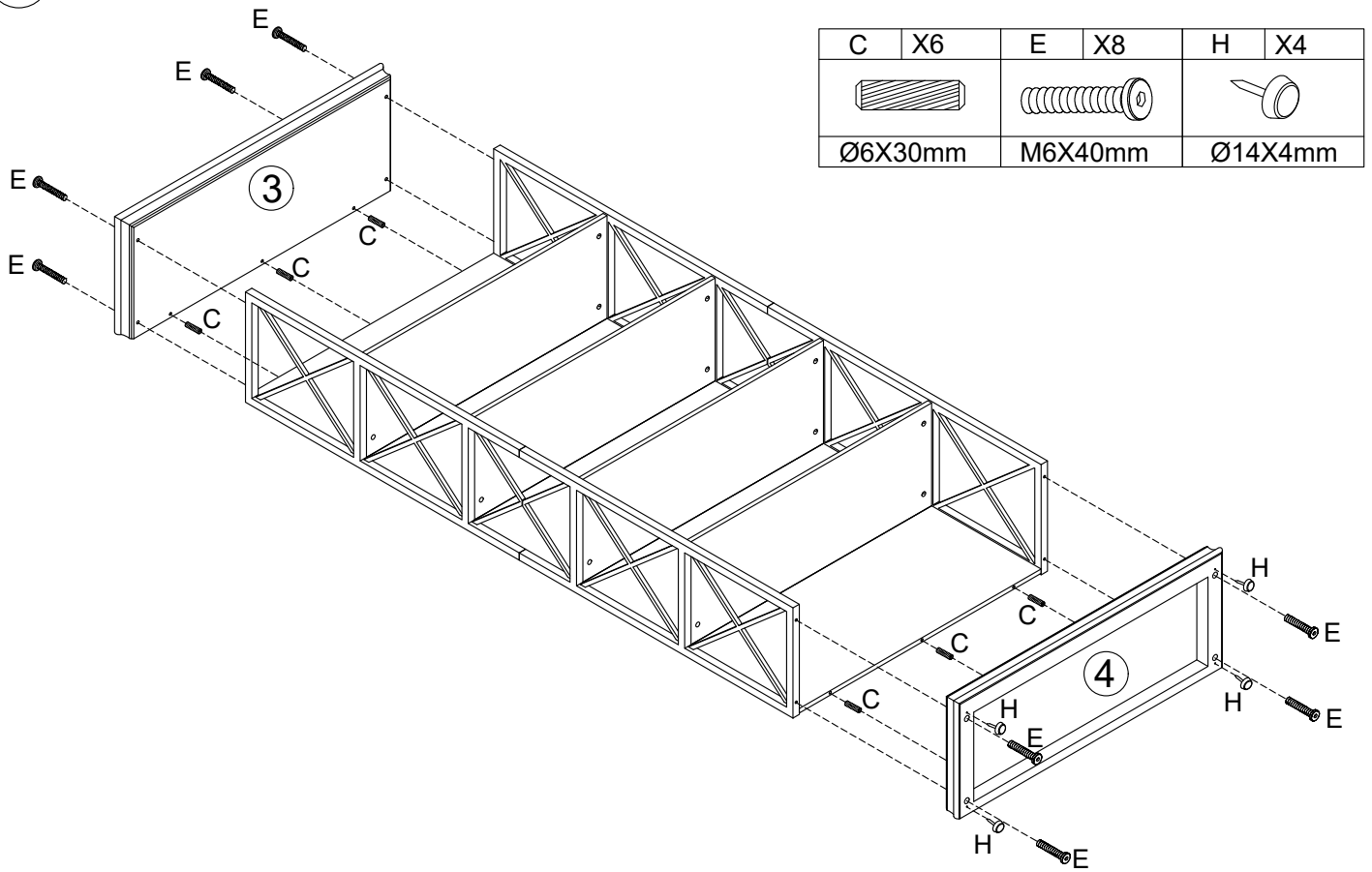
B	X8	G	X8
			
Ø15X12mm		Ø20mm	

8

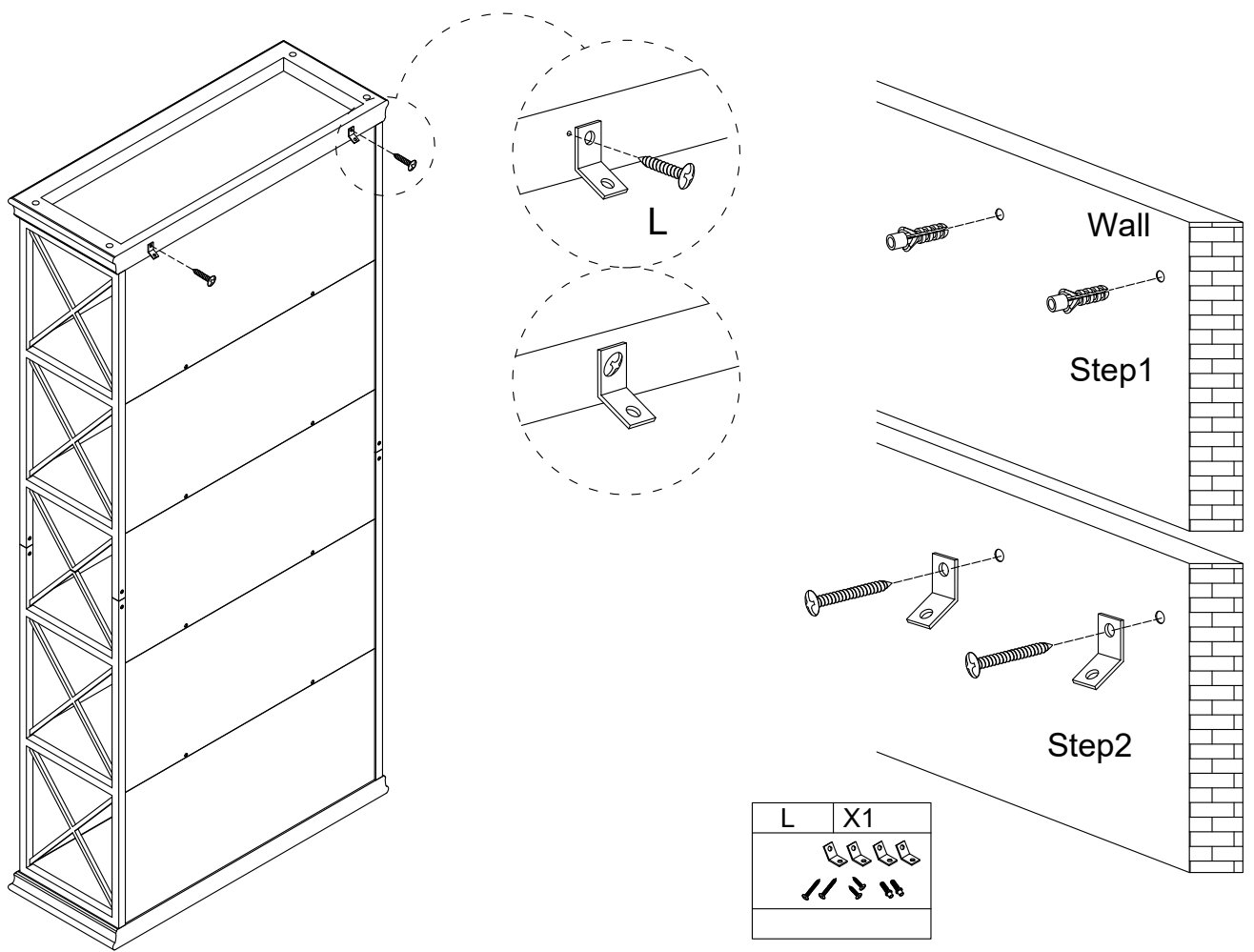


B	X8	G	X8
			
Ø15X12mm		Ø20mm	

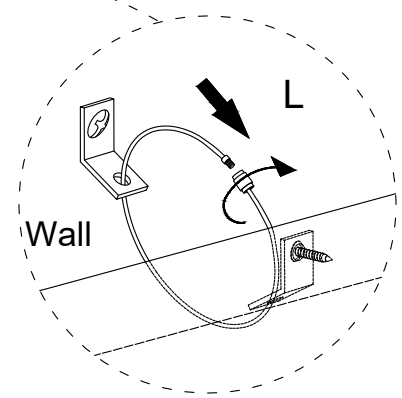
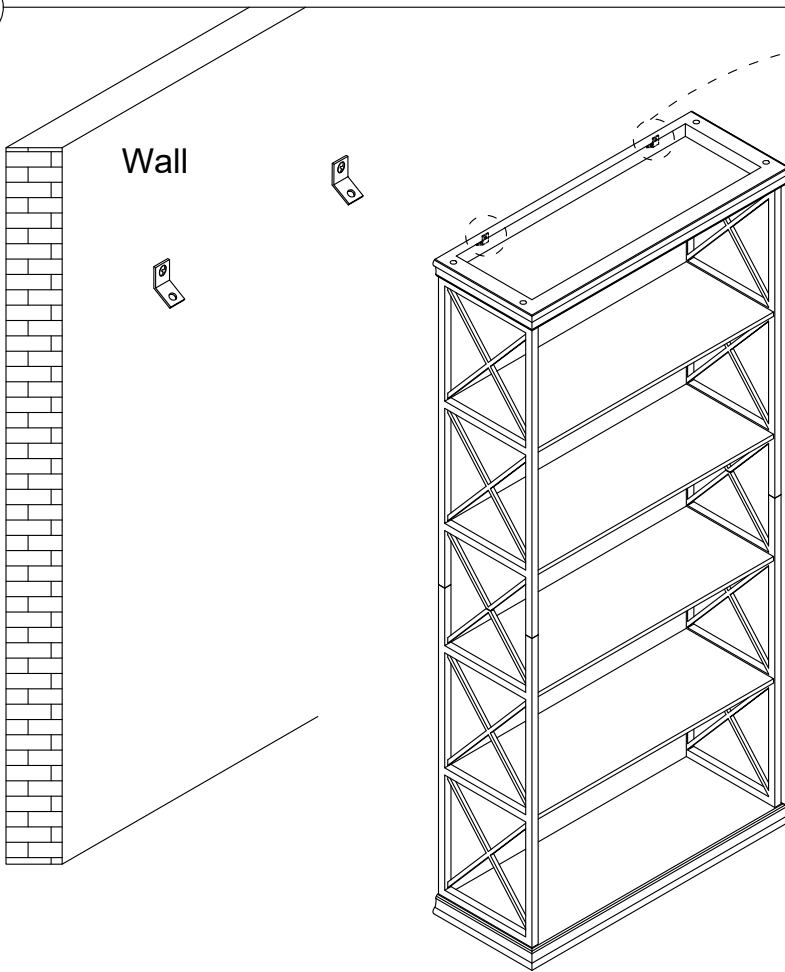
9



10



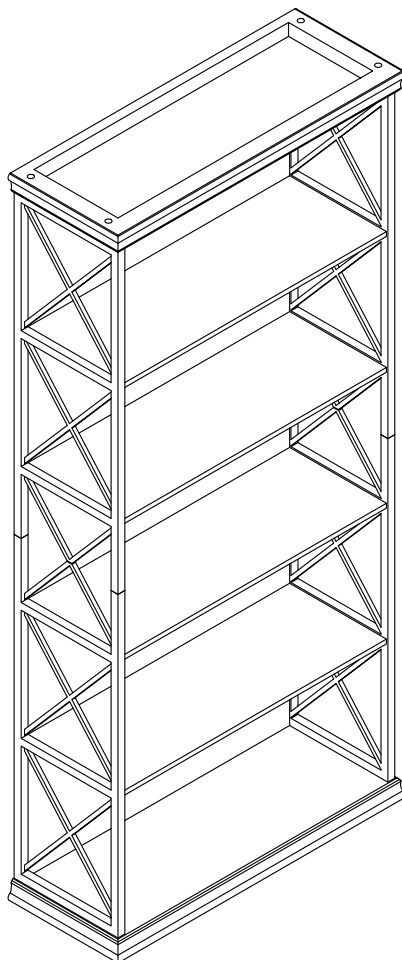
11

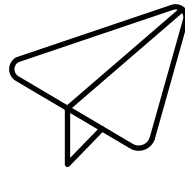


Step3

L	X1

12





No heartburn, when we handle the return

Our way



support@tribesigns.com



Replacement/Refund



You

Their way



Re-package item



Schedule pick-up



Track package



Replacement



You

Contact our customer service team



support@tribesigns.com
www.tribesigns.com



1-424-220-6888