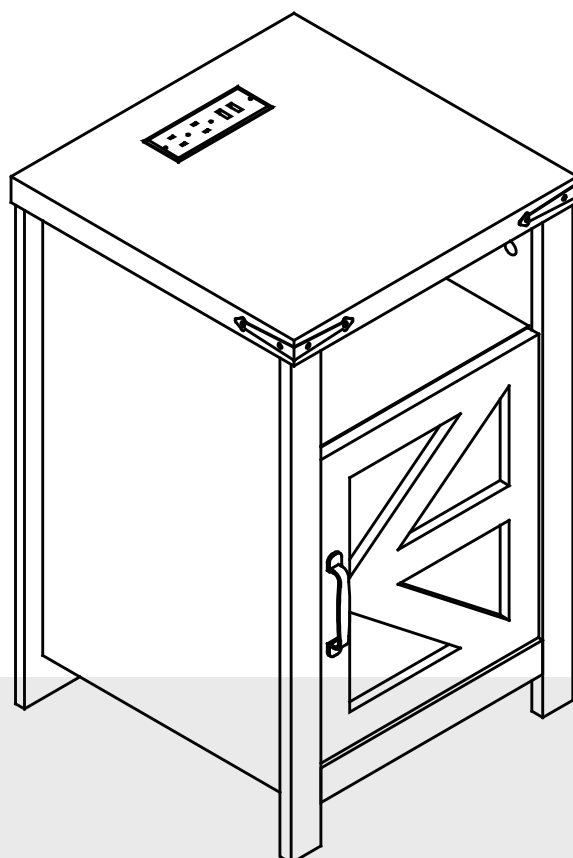


MANUAL INSTRUCTION

End Table



We offer a diverse range of products to meet the needs of customers.

Indoor Furniture

We are a professional furniture provider with top-notch factories and outstanding designs, Our mission is to provide consumers with new lifestyles. By collecting consumer feedback, we constantly improve our products and create more choices for consumers. If you want to create your space, We are an ideal choice.

Always.



WARNING

All the Sideboard have passed strict quality inspections before delivery . Read this manual carefully to ensure proper usage

Ensure that all parts and hardware are available before beginning assembly

NOTICE

1. Children are not allowed to operate.
2. Faster installation is possible with power tools.
3. Do not pull the door vigorously to prevent the storage cabinet from tipping over.
4. Please attach the storage cabinet to the wall with an anti-tip device after installation is complete.
5. When using the storage cabinet for the first time, please keep it in a ventilated environment to allow the smell to fully evaporate.
6. When placing the partitions, please make sure the nails are firmly installed to prevent the partitions from falling off.
7. If any parts are missing, broken, damaged or worn, discontinue use of the product until repairs are made and/or factory replacement parts are installed.
8. Do not use this product in a manner inconsistent with the manufacturer's instructions, as this may void the product warranty.
9. If accessories are missing, please contact customer service for communication in time, we provide 7x24 hours customer care.
10. Do not use any attachments or accessories other than the original factory attachments and accessories.
11. Do not alter this equipment. Any alteration will create a safety hazard.

WARNING

The product must be assembled by adult before use. Serious or fatal injury may occur from unexpected assembly or use.

1. During the assembly process, keep all parts away from babies or children.
2. Always securely fix this product to the wall. Make sure the wall area to be drilled is free from hidden electrical wires, water and gas pipes.
3. Use of tip-over restraints may only reduce, but not eliminate the risk of tip-over.
4. Unless specially designed to accommodate, do not set heavy objects on top of this product.
5. Place the heaviest items on the lowest shelf.
6. Never allow children to climb or bang on drawers, doors or shelves.

TOOLS REQUIRED



Phillips Screwdriver

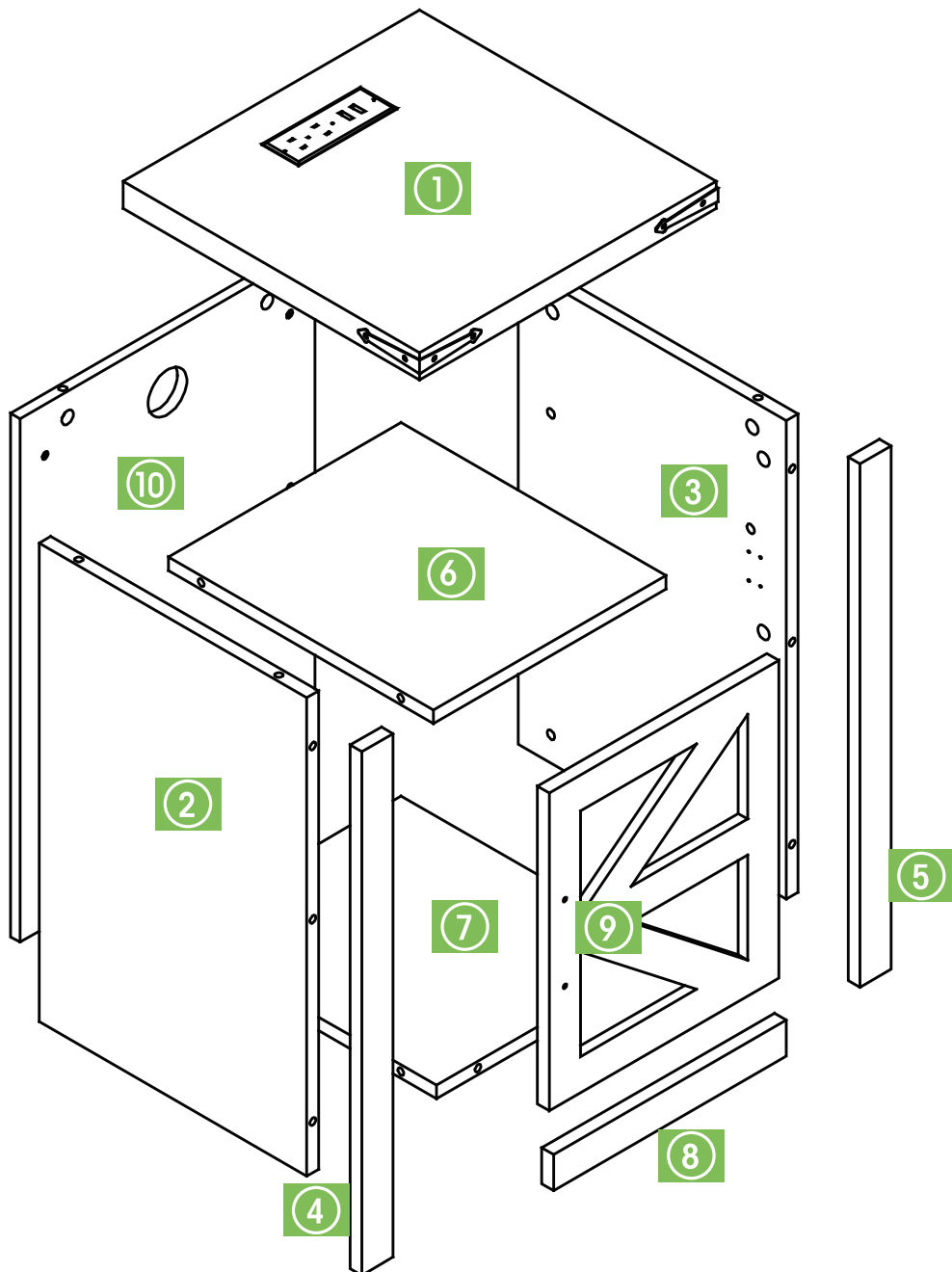


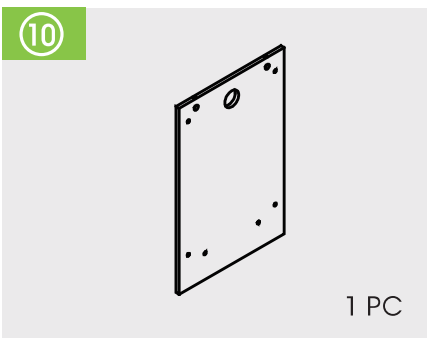
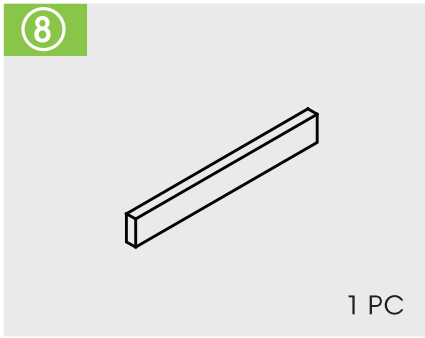
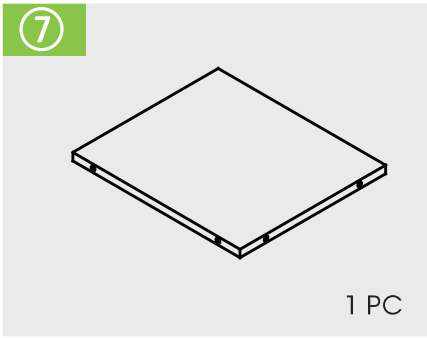
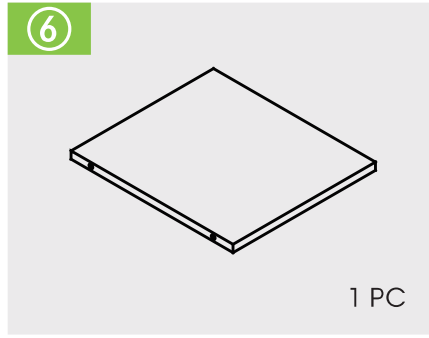
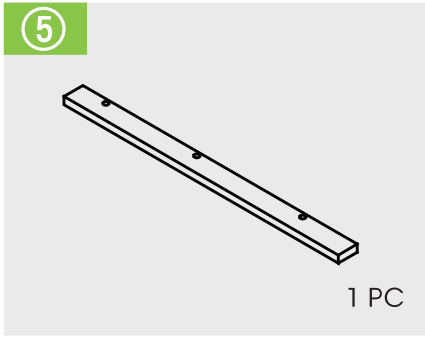
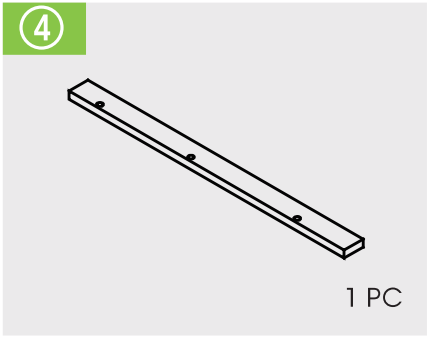
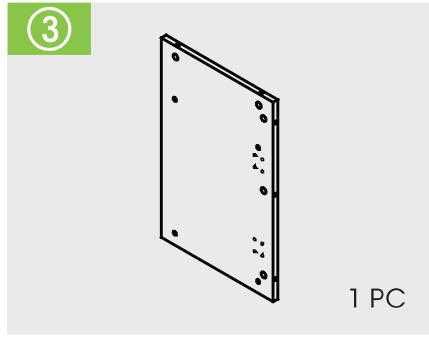
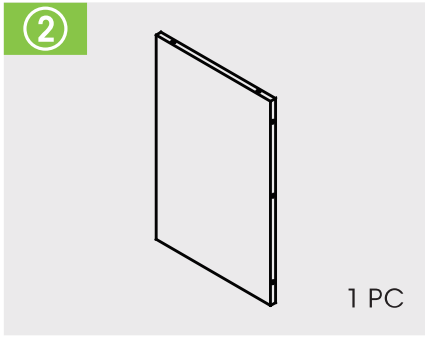
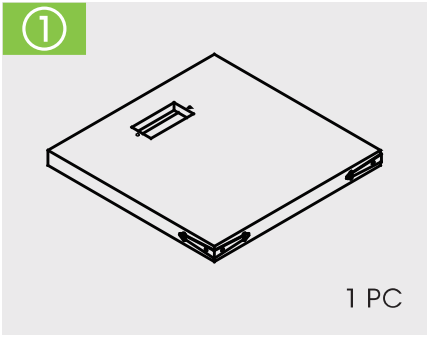
1 Persons Assembly



Up to 30 Minutes For Assembly

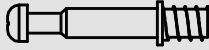
PARTS





HARDWARE

A



22+1 PCS

B

Φ15x9mm



22+1 PCS

C

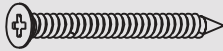
M 3.5X12MM



2 PCS

D

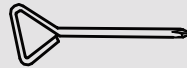
Φ3.5x35mm



6 PCS

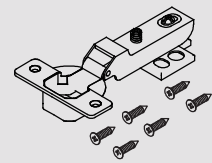
E

72x30x5MM



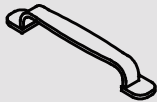
1 PC

F



2 PCS

G



1 PC

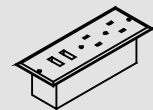
H

M 4X20M M



2 PCS

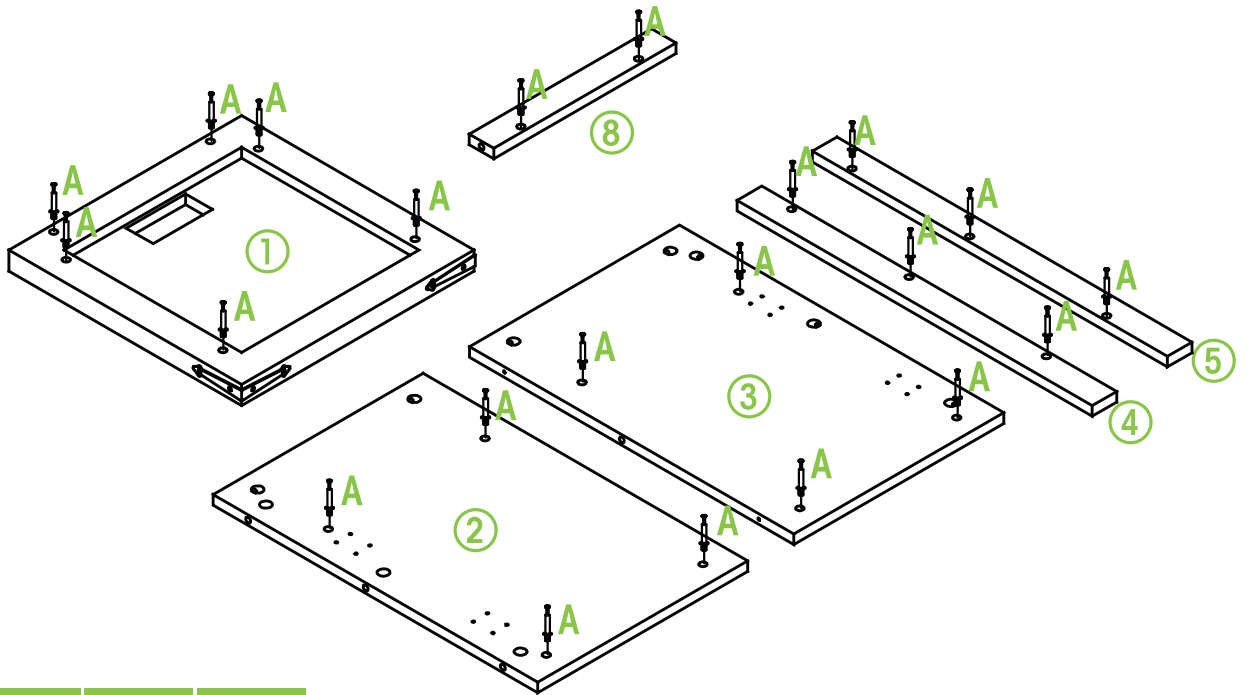
I



1 PC

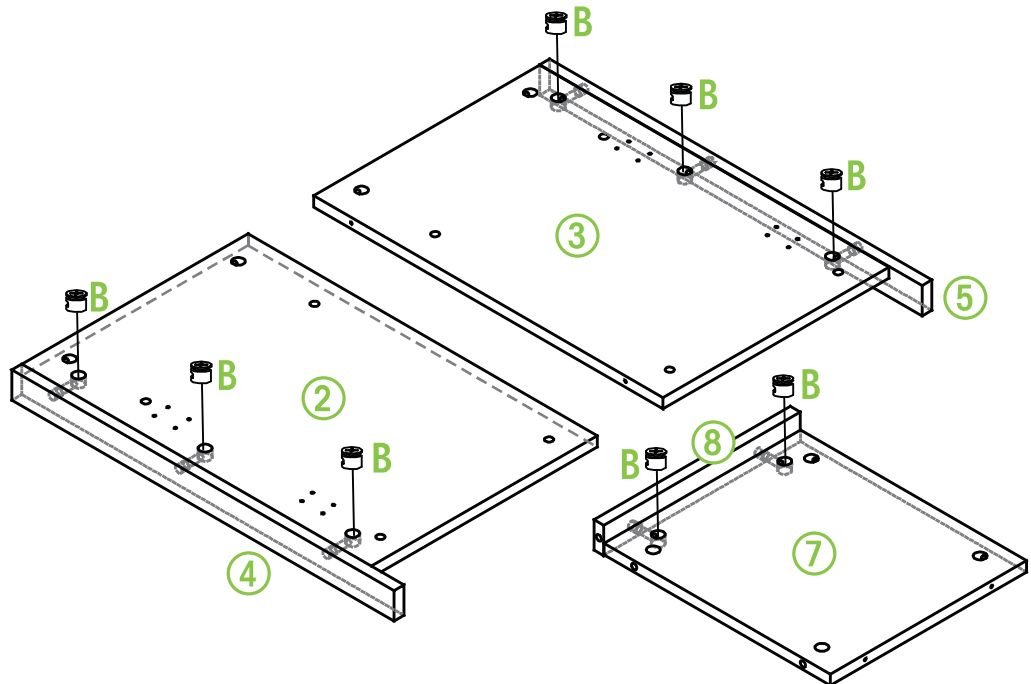
PRODUCT ASSEMBLY


1 Install 22 cam bolt "A" on the corresponding holes of the part as per diagram.



PART	NO.	QTY.
	A	22

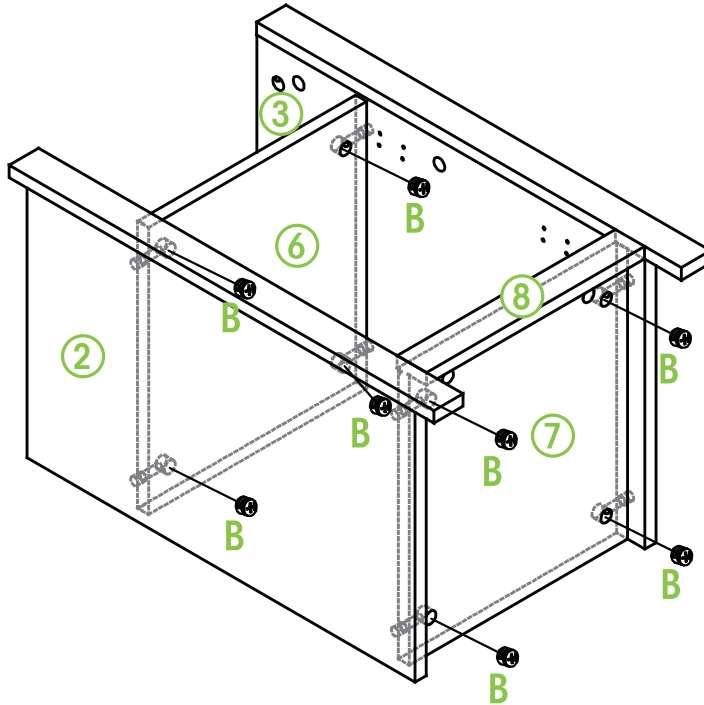
2 Connect the parts with 8 bolt "B".




PART	NO.	QTY.
	B	8

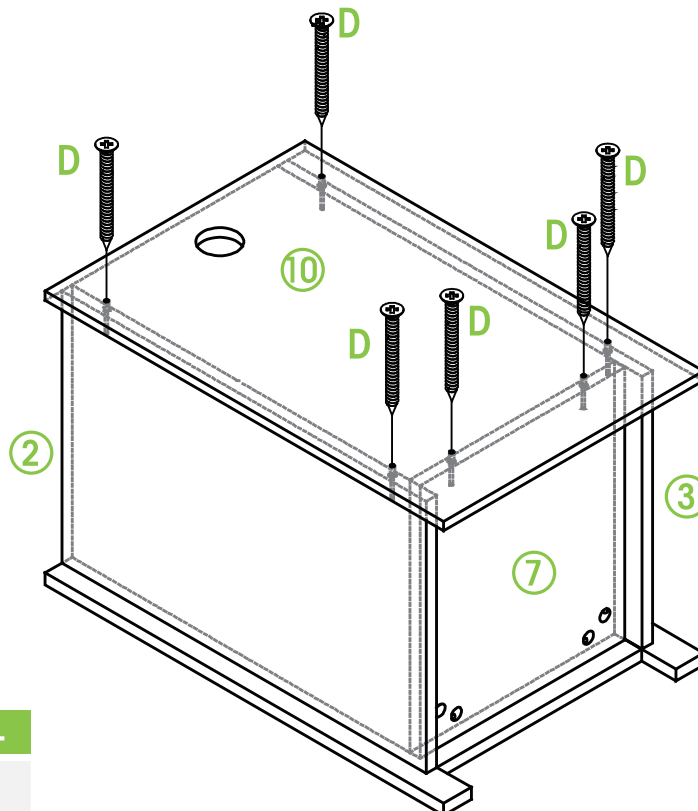
PRODUCT ASSEMBLY


3 Connect the parts with 8 bolt "B".



PART	NO.	QTY.
	B	8

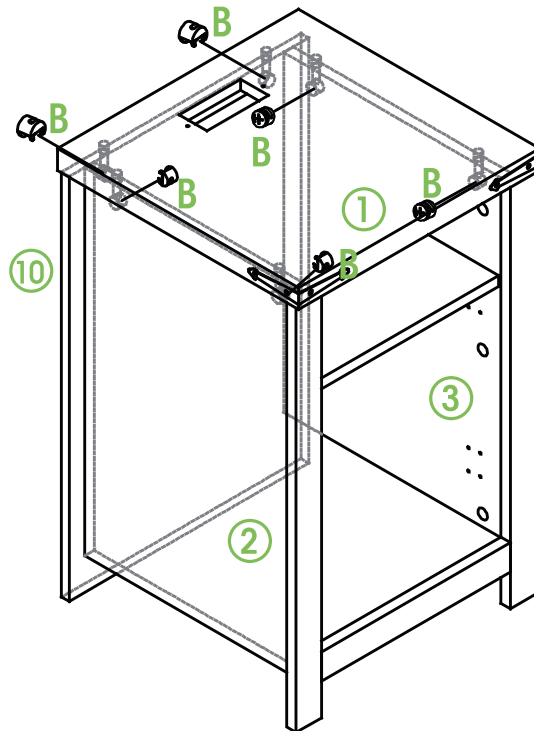
4 Install 6 screws "D" at the corresponding position of the part ⑩.




PART	NO.	QTY.
	D	6

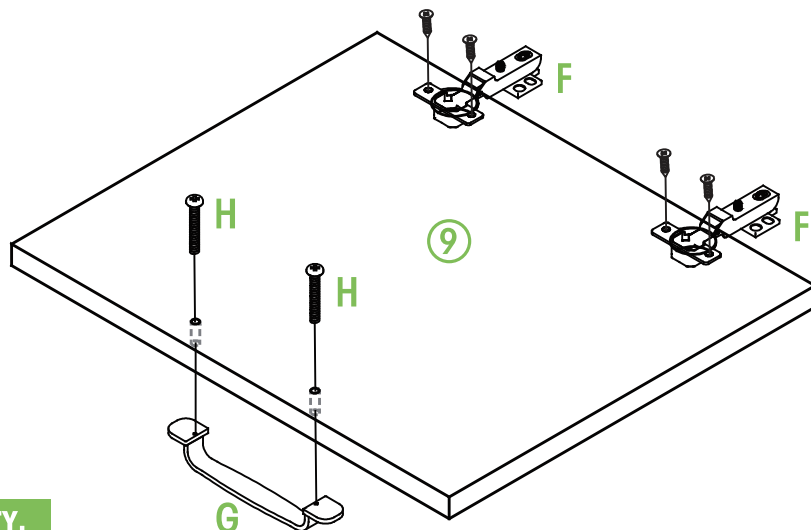
PRODUCT ASSEMBLY




5 Connect the parts with 6 bolt "B".



PART	NO.	QTY.
	B	6

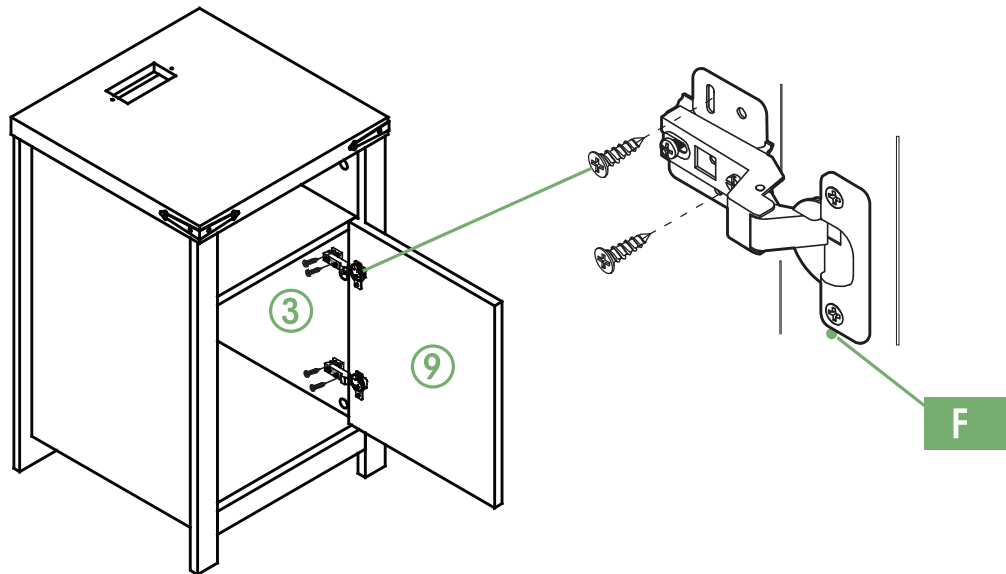
6 Install the 4 screws in the oval hole of hinge "F", Connect the fixed part "G" with 2 screw "H".



PART	NO.	QTY.
	F	2
	G	1
	H	2

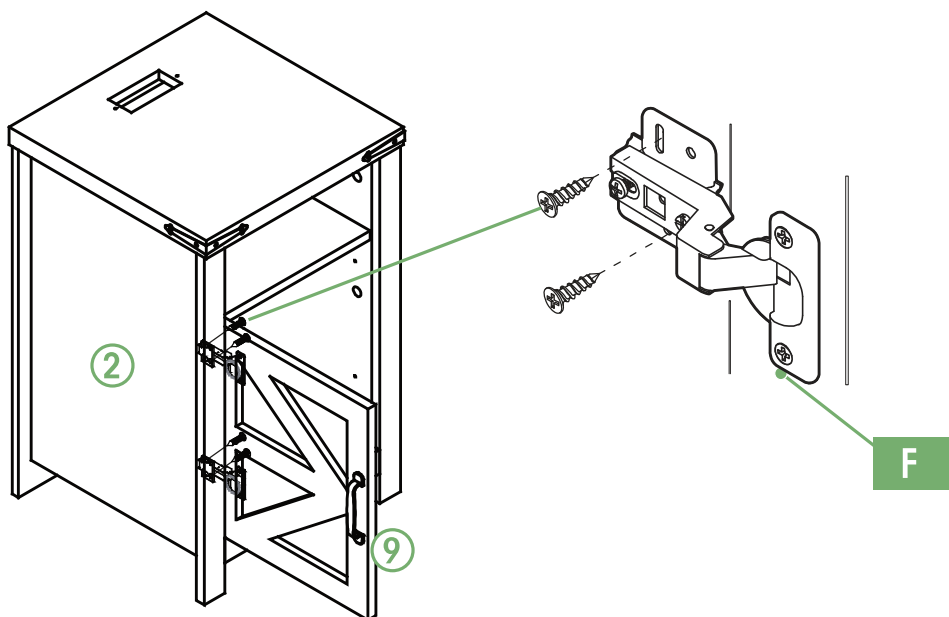
PRODUCT ASSEMBLY

7



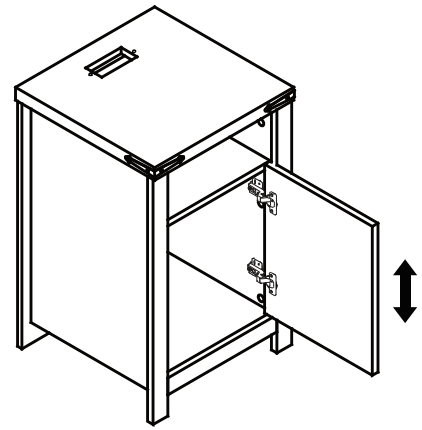
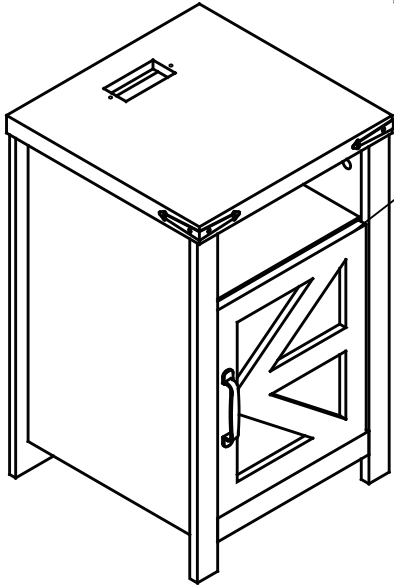
PART	NO.	QTY.
	F	2

Install the other bedside table in the same way.
Note: the door can be installed on the same side or opposite side.



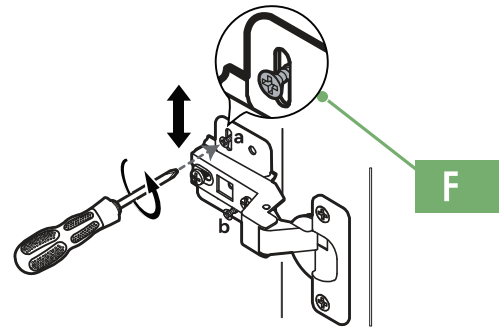
PRODUCT ASSEMBLY

8

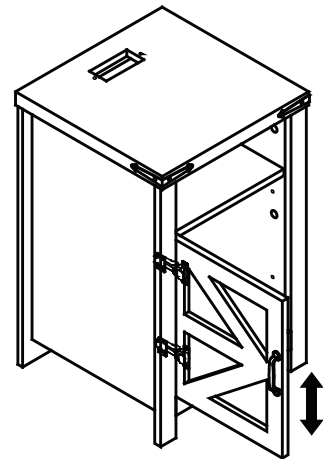
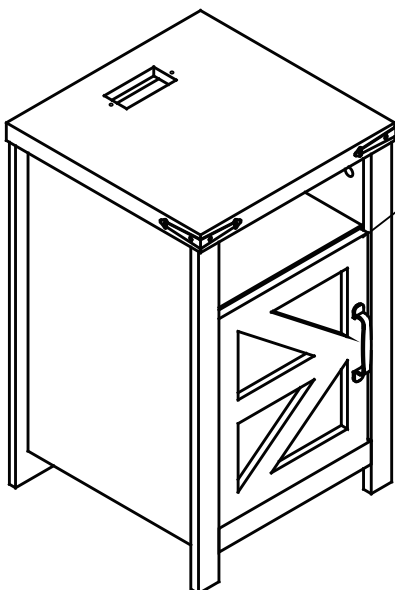


! If the doors are not aligned, adjust as instructed below.

- Up and down adjustment:
1. Loosen screws a and b on the hinge to raise or lower the door.
 2. Tighten the screws to secure in place.

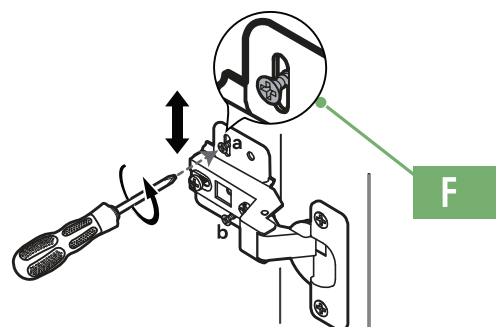


PART	NO.	QTY.
	F	2



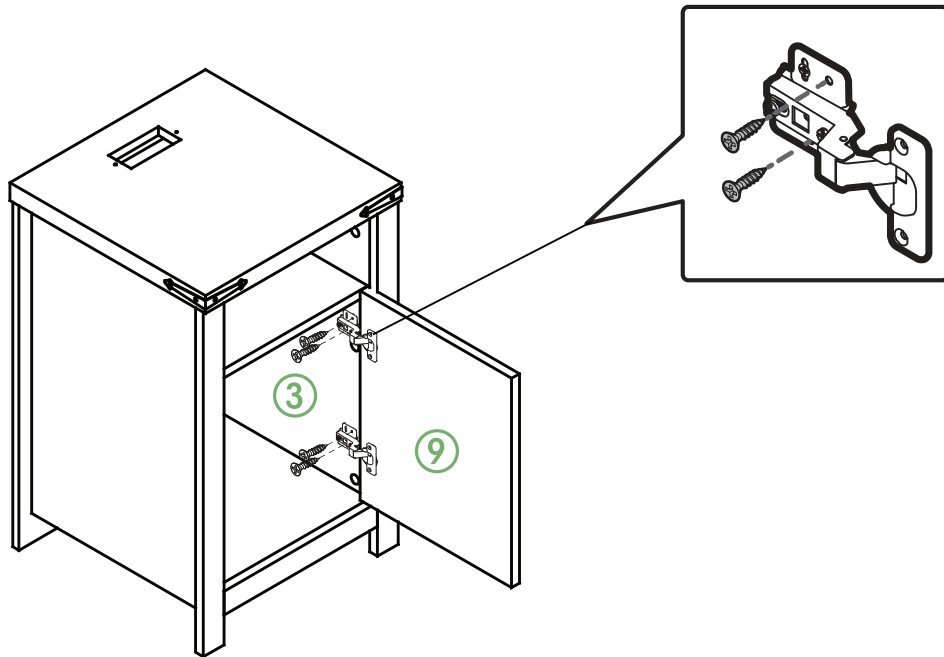
! If the doors are not aligned, adjust as instructed below.

- Up and down adjustment:
1. Loosen screws a and b on the hinge to raise or lower the door.
 2. Tighten the screws to secure in place.

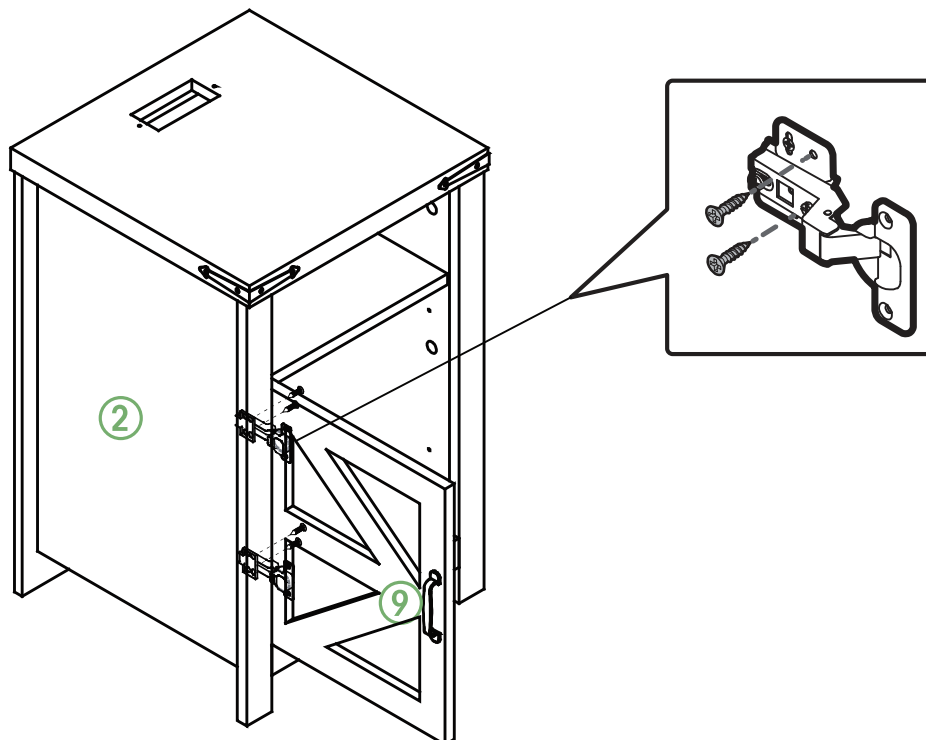


PRODUCT ASSEMBLY

9

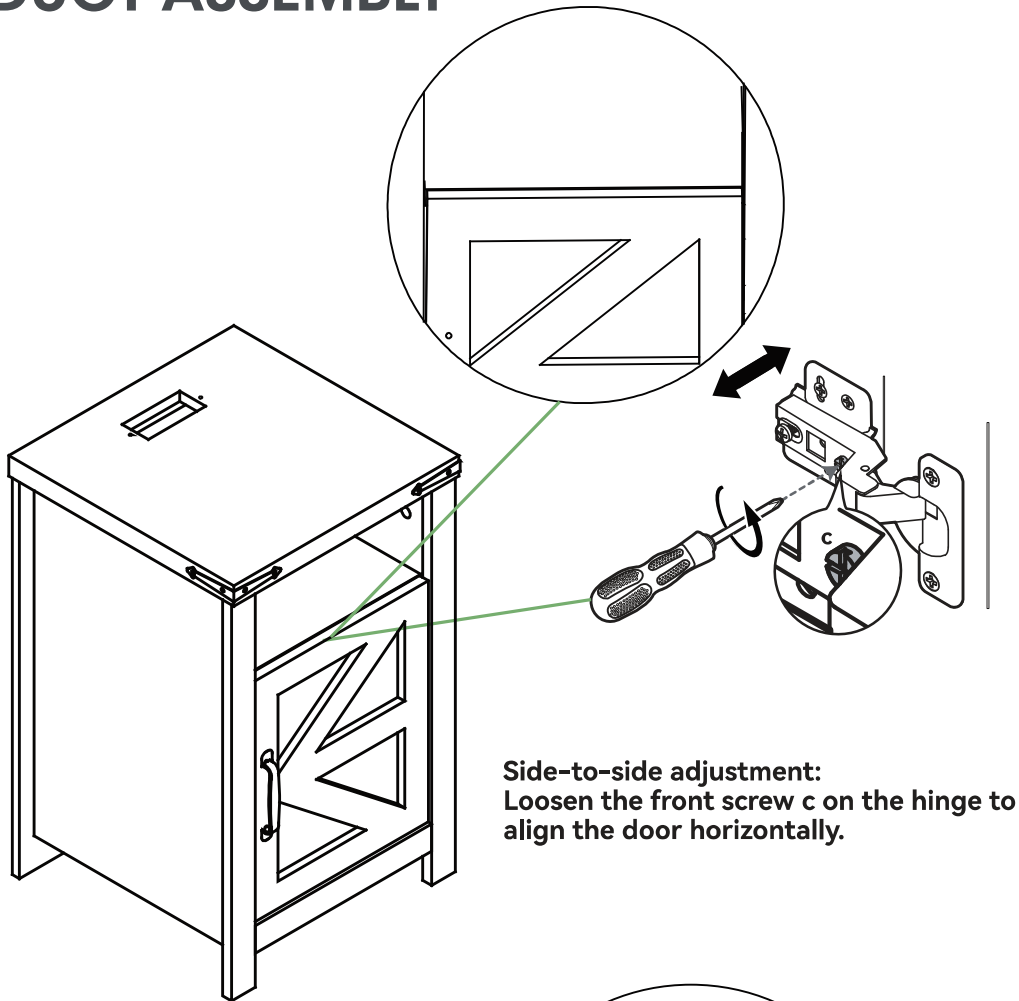


PART	NO.	QTY.
	F	2

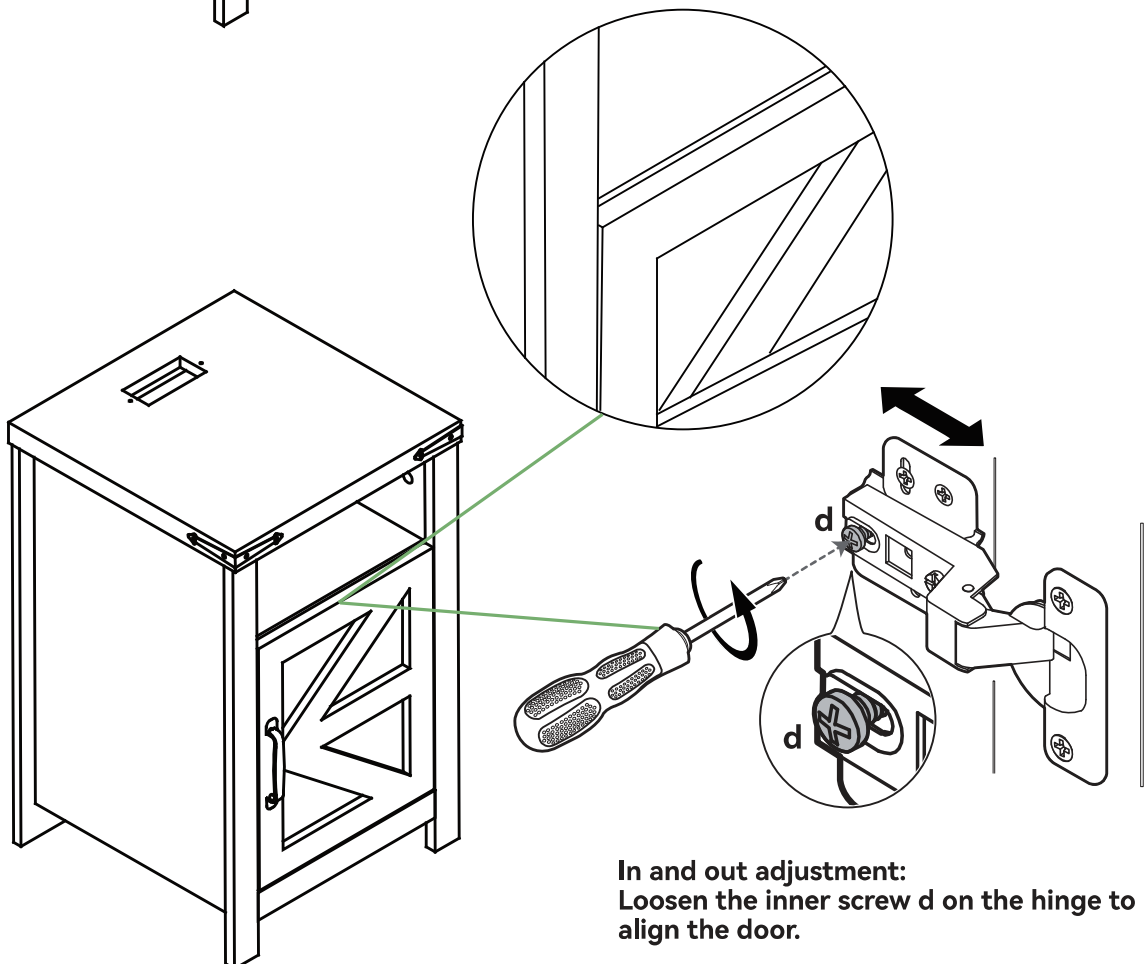


PRODUCT ASSEMBLY

10



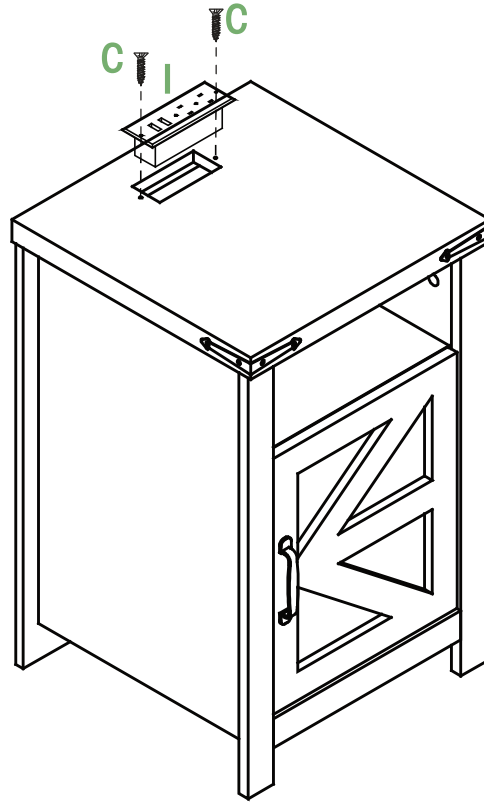
Side-to-side adjustment:
Loosen the front screw c on the hinge to align the door horizontally.





In and out adjustment:
Loosen the inner screw d on the hinge to align the door.

PRODUCT ASSEMBLY

11 Secure part "I" with 2 screws "C" .



PART	NO.	QTY.
	I	1
	C	2

12 Note: The arrow direction of the door can be the same direction, or it can be opposite.

