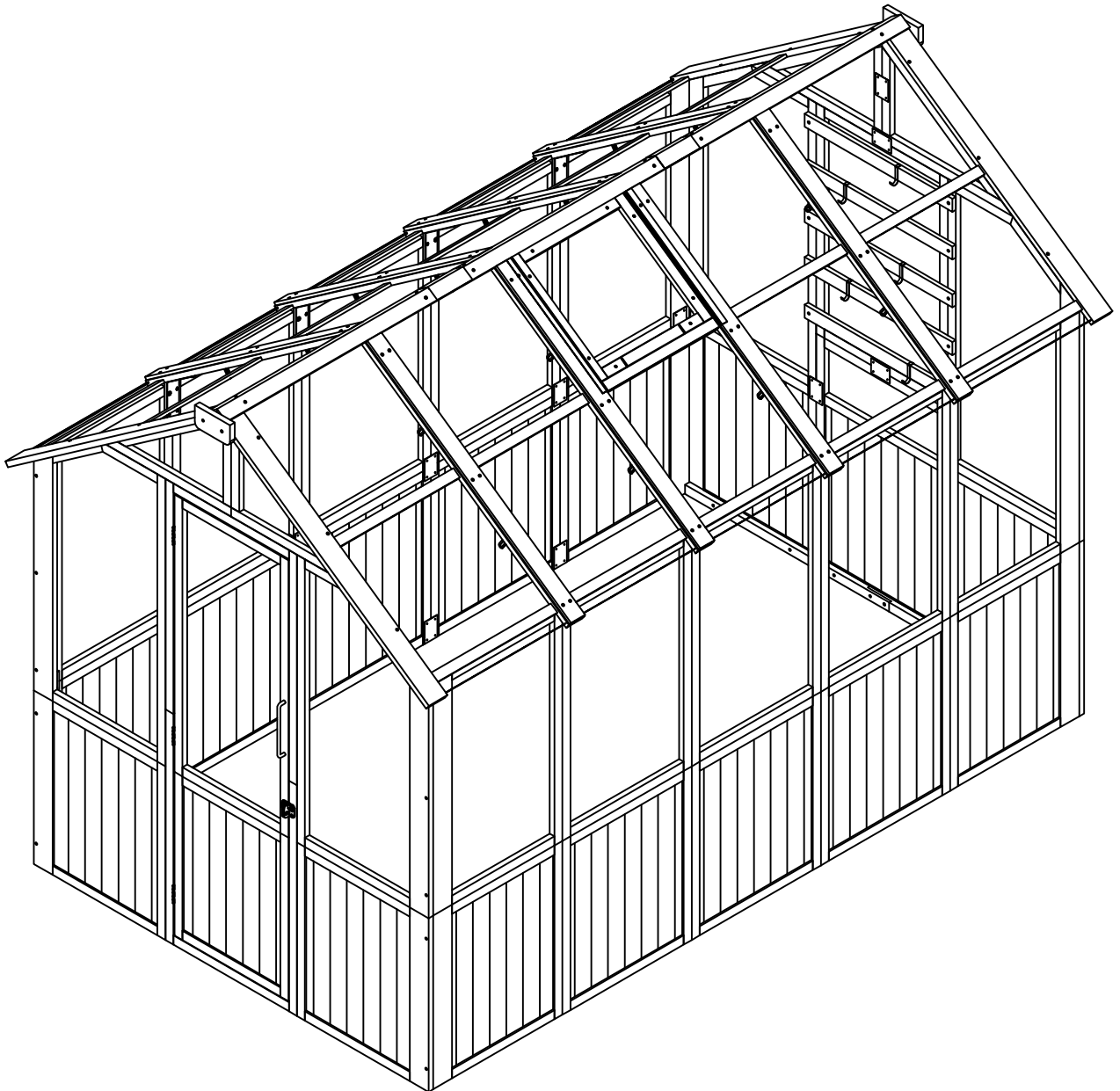


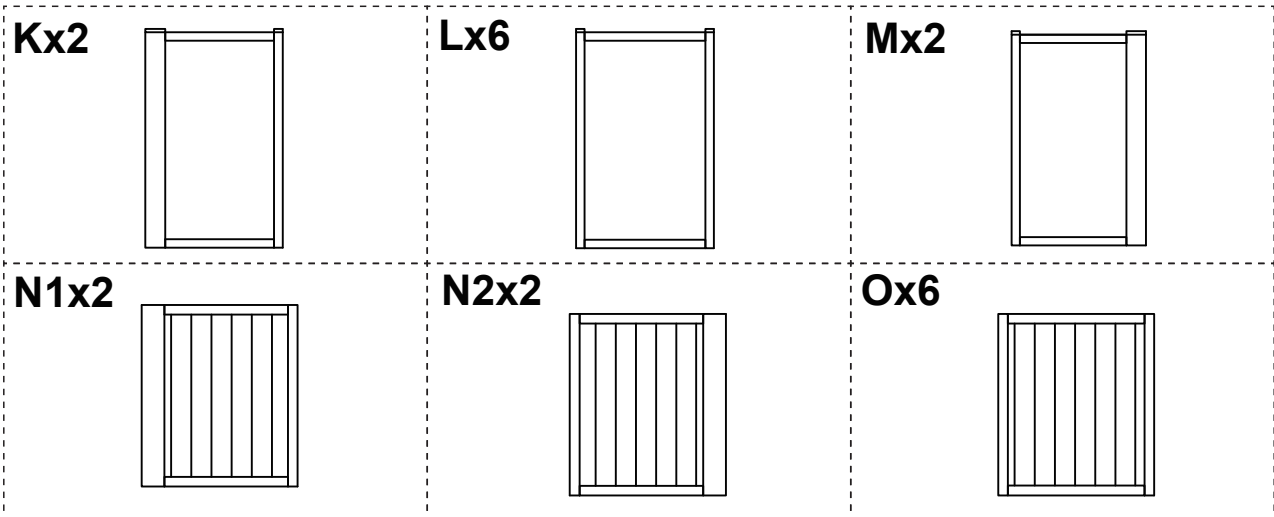
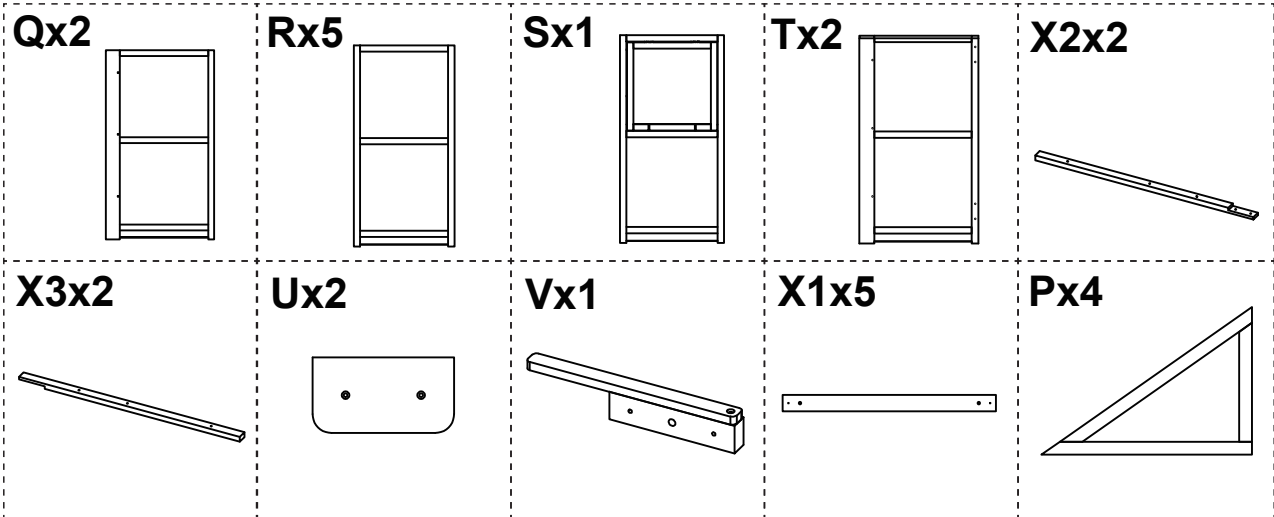
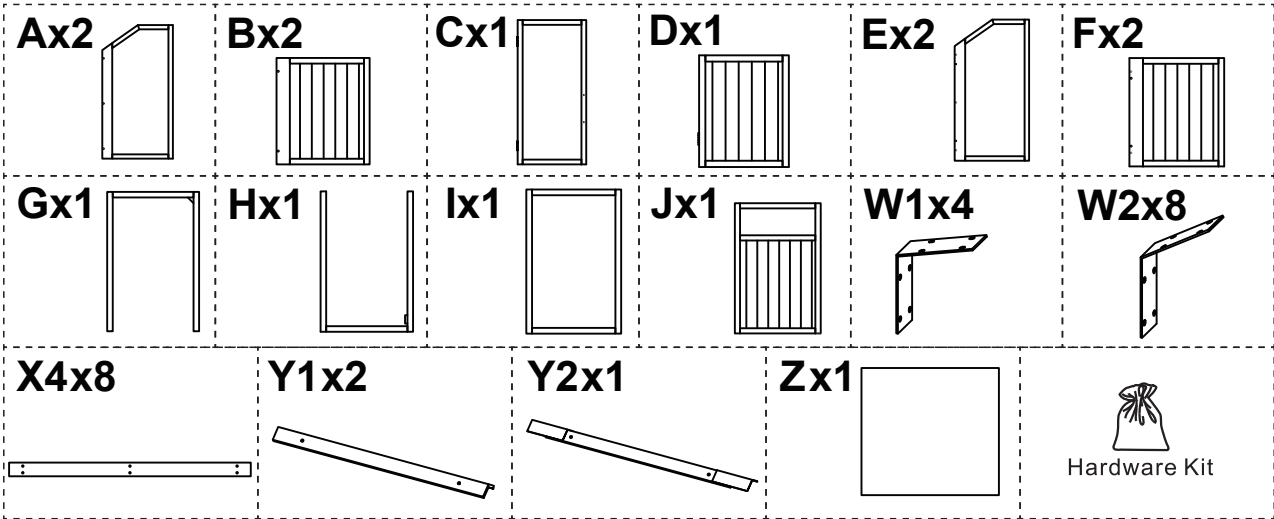
Assembly Guide

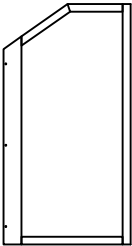
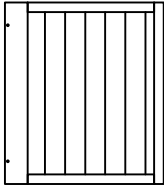
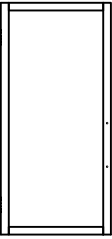
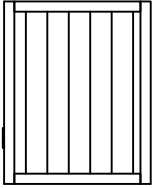
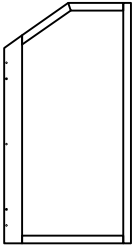
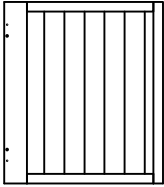
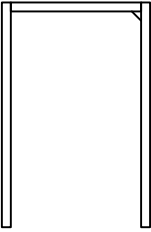
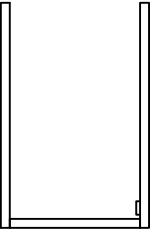
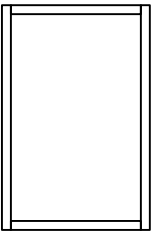
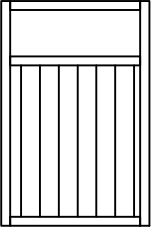
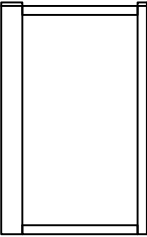
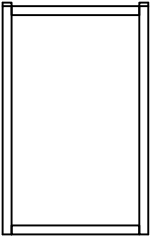
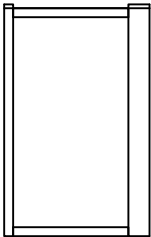
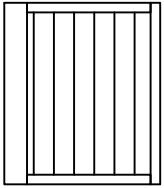
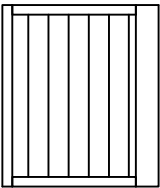
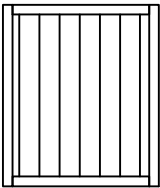
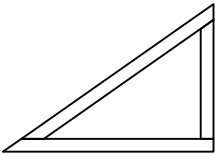
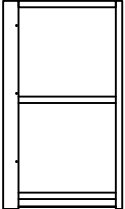
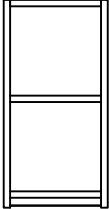
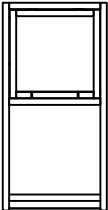
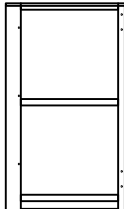
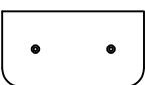
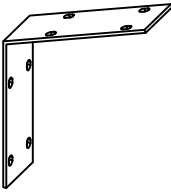
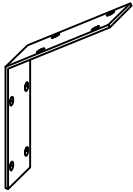
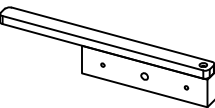
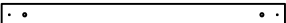

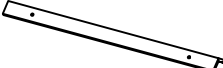

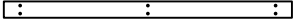
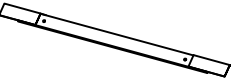

PXXZOT107

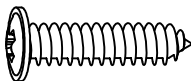




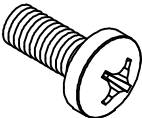
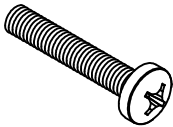

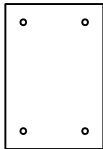
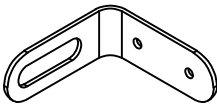

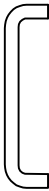
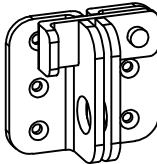



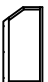


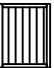

READ AND SAVE THIS INSTRUCTIONS FOR FUTURE USE

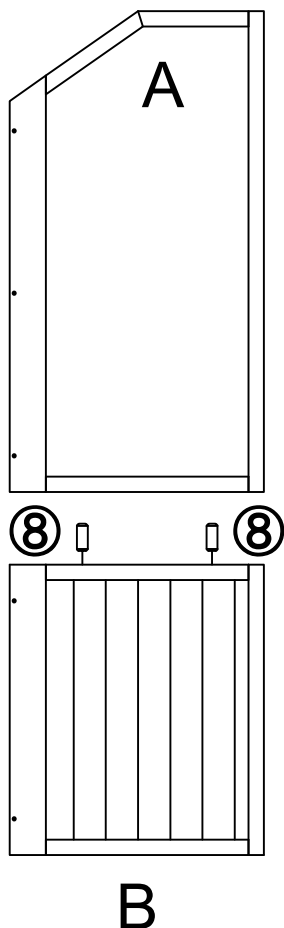
ASSEMBLY & INSTRUCTION MANUAL



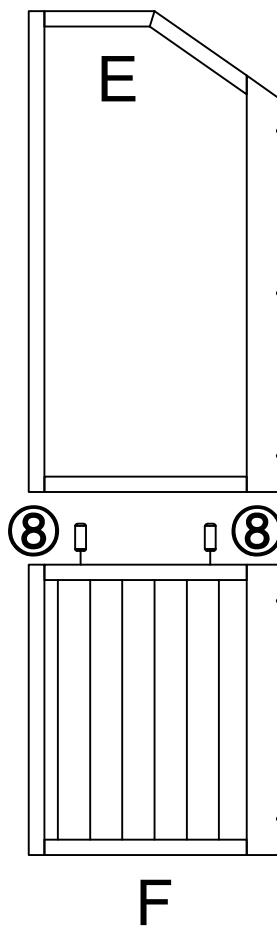
Ax2 	Bx2 	Cx1 	Dx1 
Ex2 	Fx2 	Gx1 	Hx1 
Ix1 	Jx1 	Kx2 	Lx6 
Mx2 	N1x2 	N2x2 	Ox6 
Px4 	Qx2 	Rx5 	Sx1 
Tx2 	Ux2 	W1x4 	W2x8 
Vx1 	X1x5 	X3x2 	Y1x2 
X2x2 	X4x8 	Y2x1 	Zx1 

<p>①x148+2</p>  <p>M3*14mm</p>	<p>②x46+2</p>  <p>M3*14mm</p>	<p>③x10+1</p>  <p>M3.5*30mm</p>	<p>④x54+2</p>  <p>M3.5*35mm</p>	<p>⑤x16+1</p>  <p>M3.5*50mm</p>
<p>⑥x96+2</p>  <p>M6*15mm</p>	<p>⑦x2</p>  <p>M4*25mm</p>	<p>⑧x117+2</p>  wood stick <p>∅8*20mm</p>	<p>⑨x35</p> 	
<p>⑩x16</p> 	<p>⑪x5</p> 	<p>⑫x1</p> 	<p>⑬x1</p> 	<p>⑭x60+2</p>  <p>M3.5*25mm</p>




PART	NO	QIT
	A	2
	B	2
	E	2
	F	2
 wood stick	⑧	8

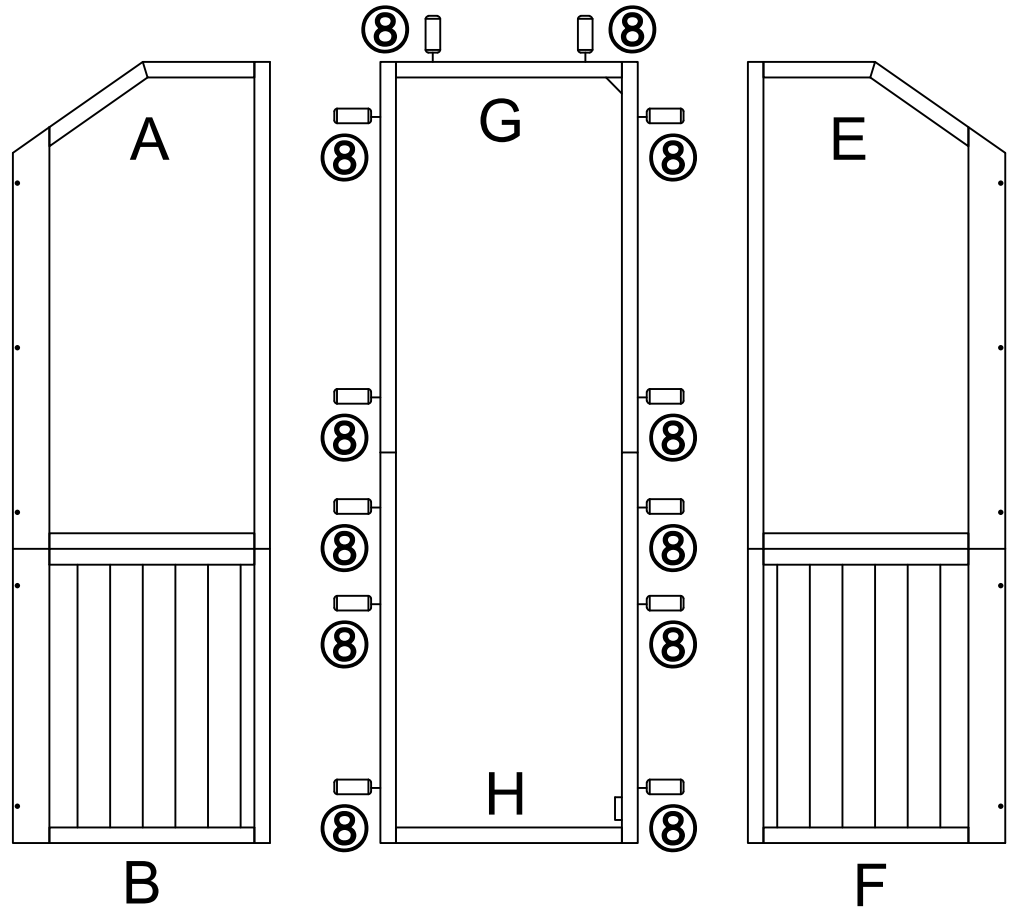



x2

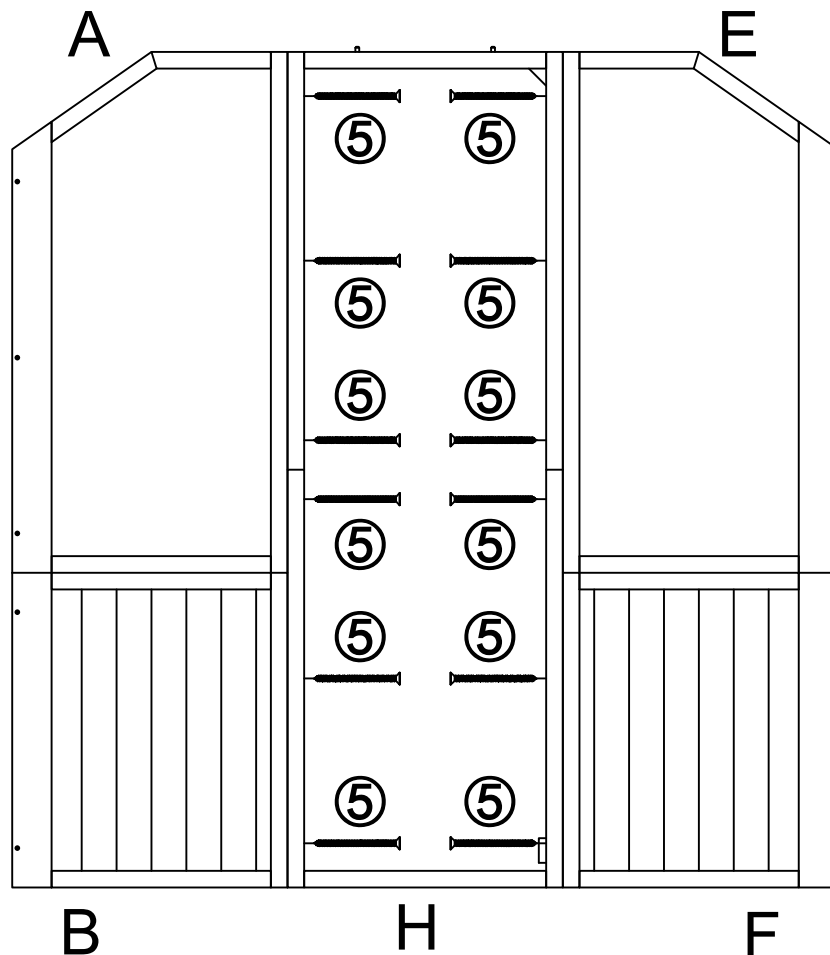






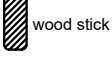
x2

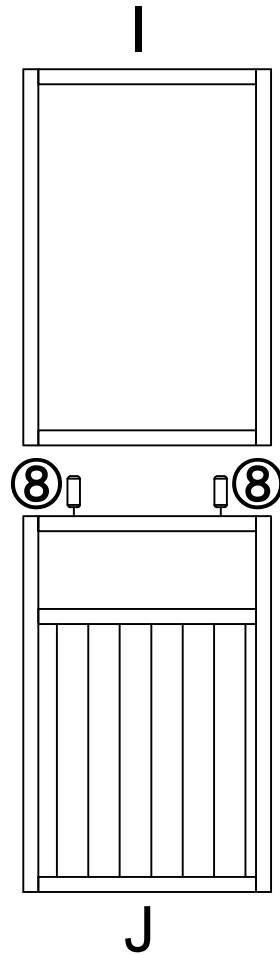
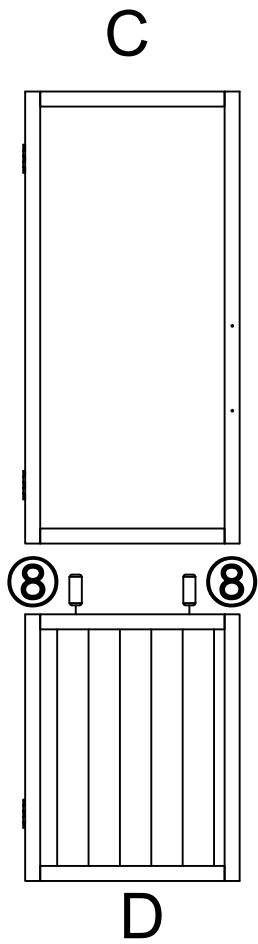
PART	NO	QIT
	G	1
	H	1
 wood stick	⑧	12



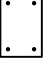



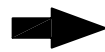
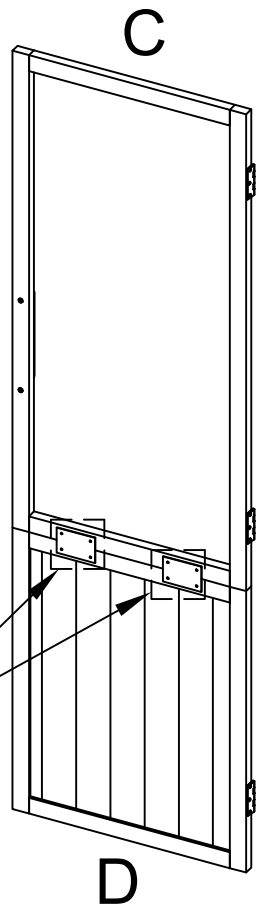
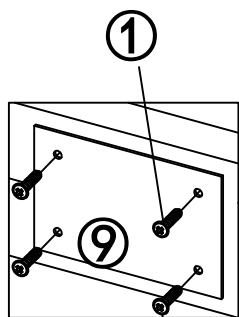
PART	NO	QIT
	⑤	12




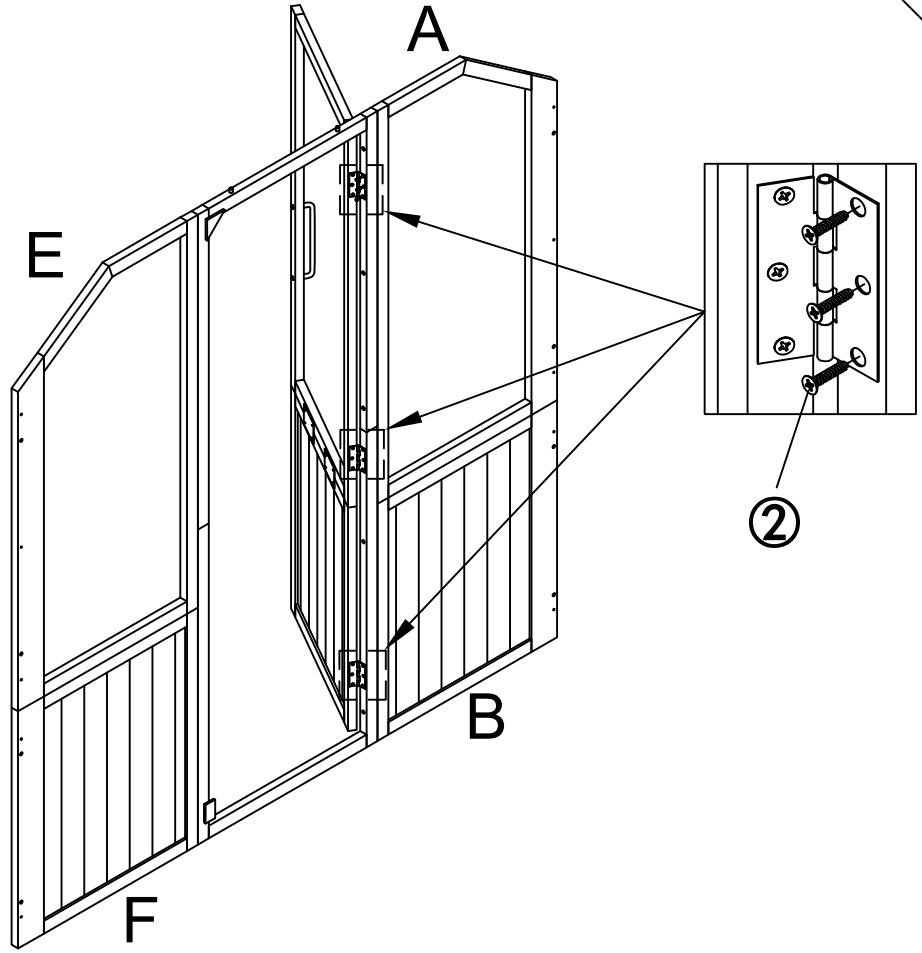
PART	NO	QIT
	C	1
	D	1
	I	1
	J	1
 wood stick	⑧	4





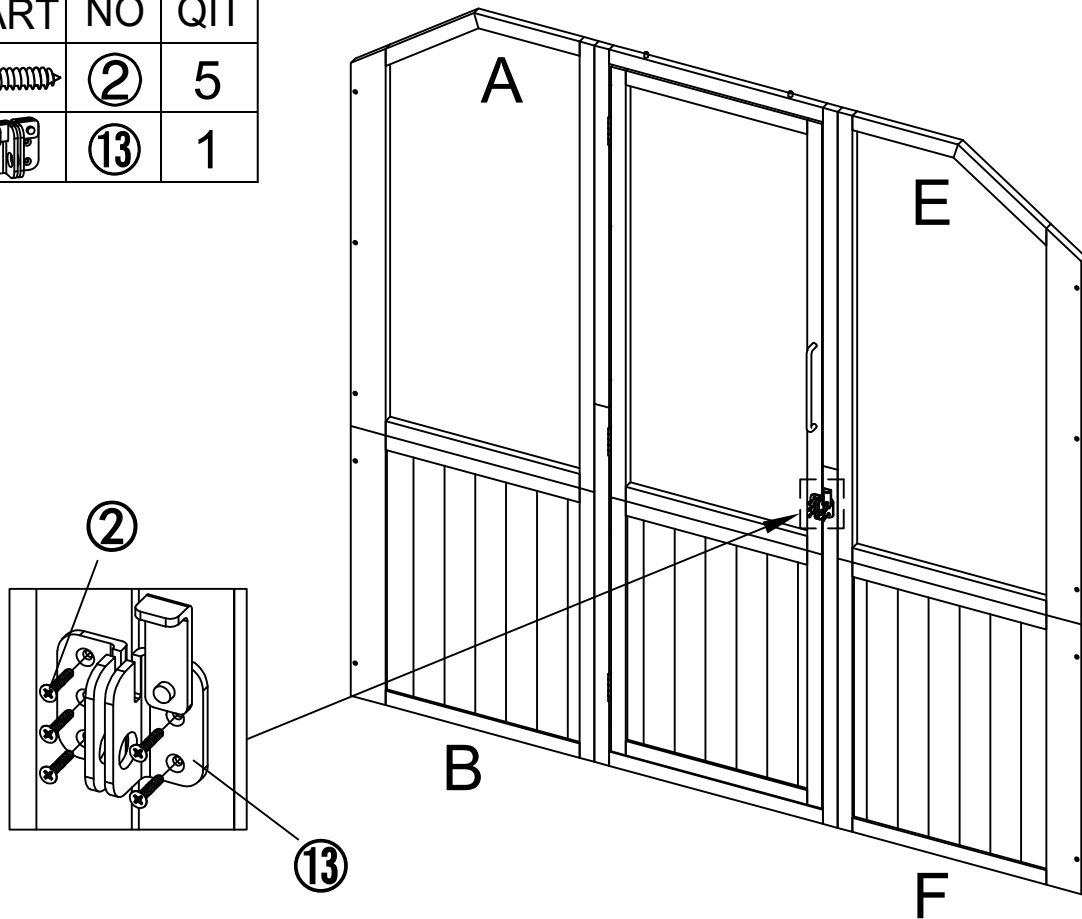
PART	NO	QIT
	①	8
	⑦	2
	⑨	2
	⑫	1

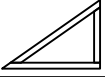




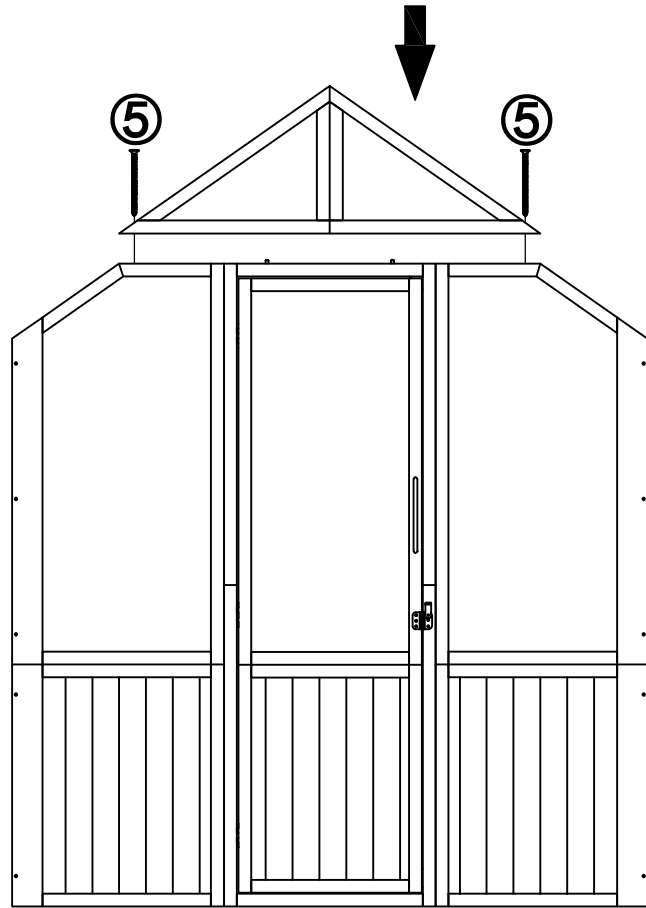
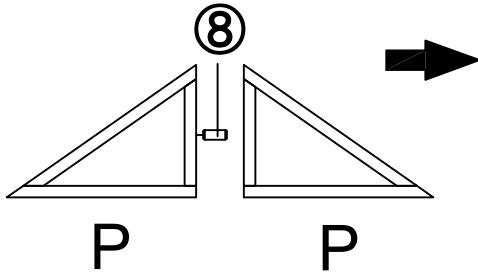
PART	NO	QIT
	②	9


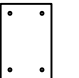


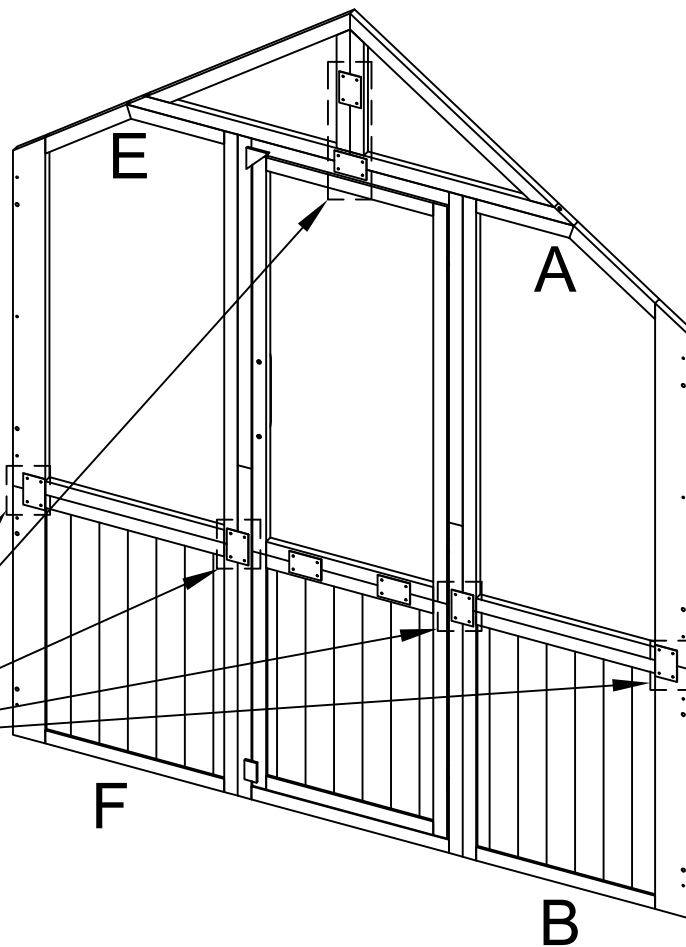
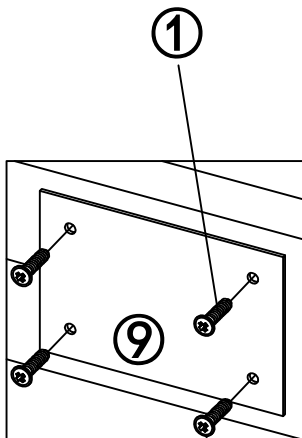
PART	NO	QIT
	②	5
	⑬	1




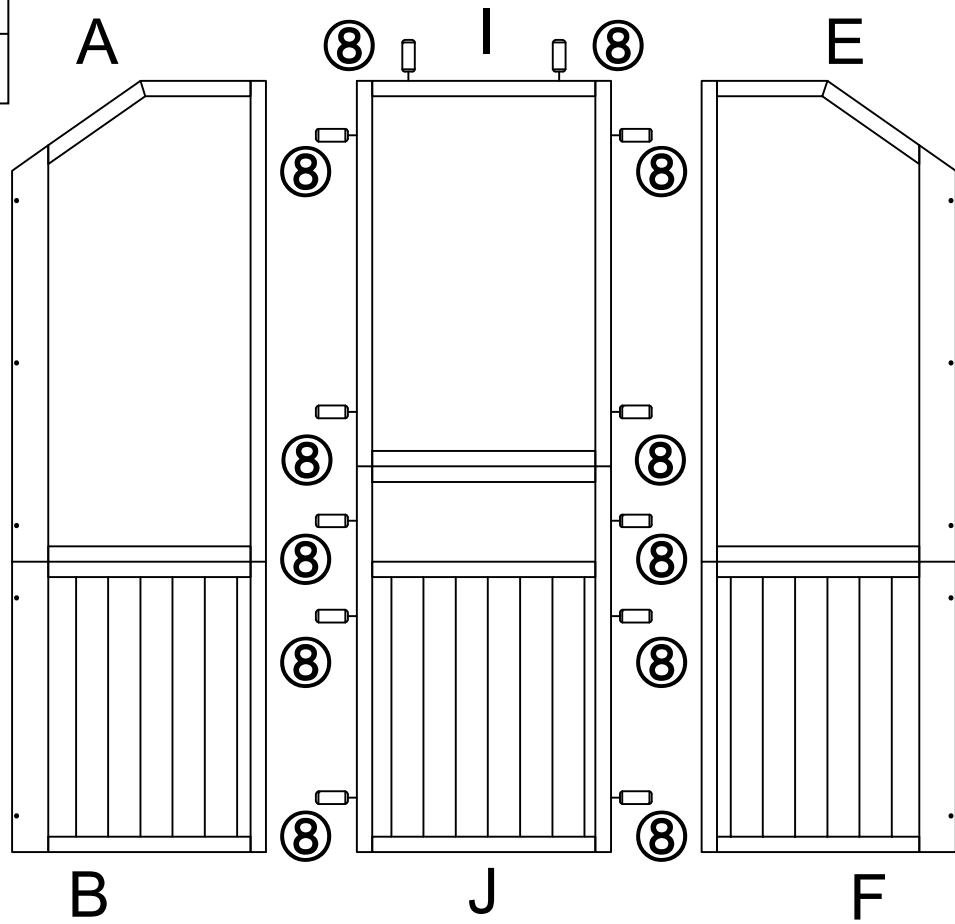
PART	NO	QIT
	P	2
	5	2
 wood stick	8	1

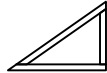




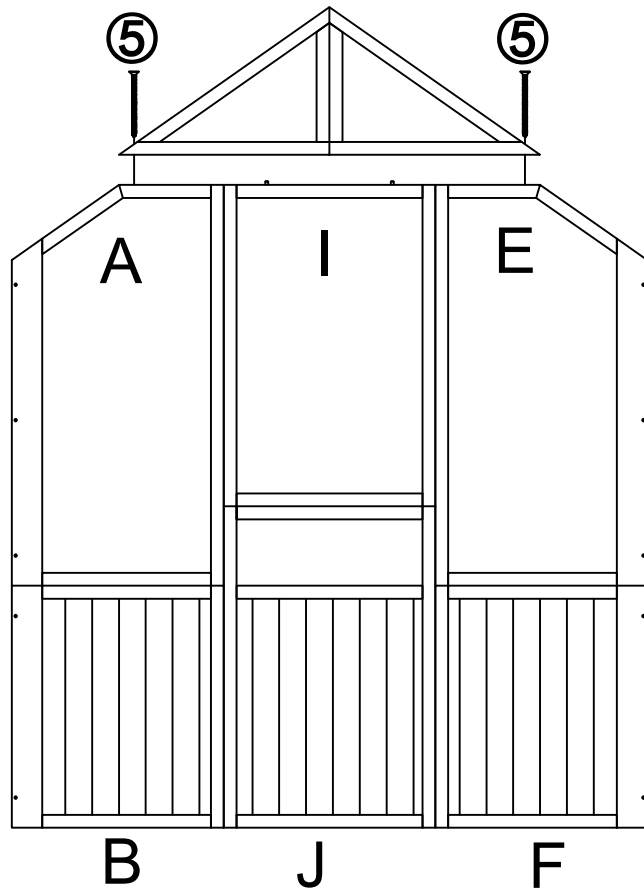
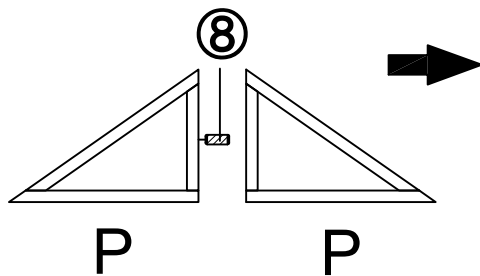
PART	NO	QIT
	1	24
	9	6



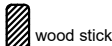


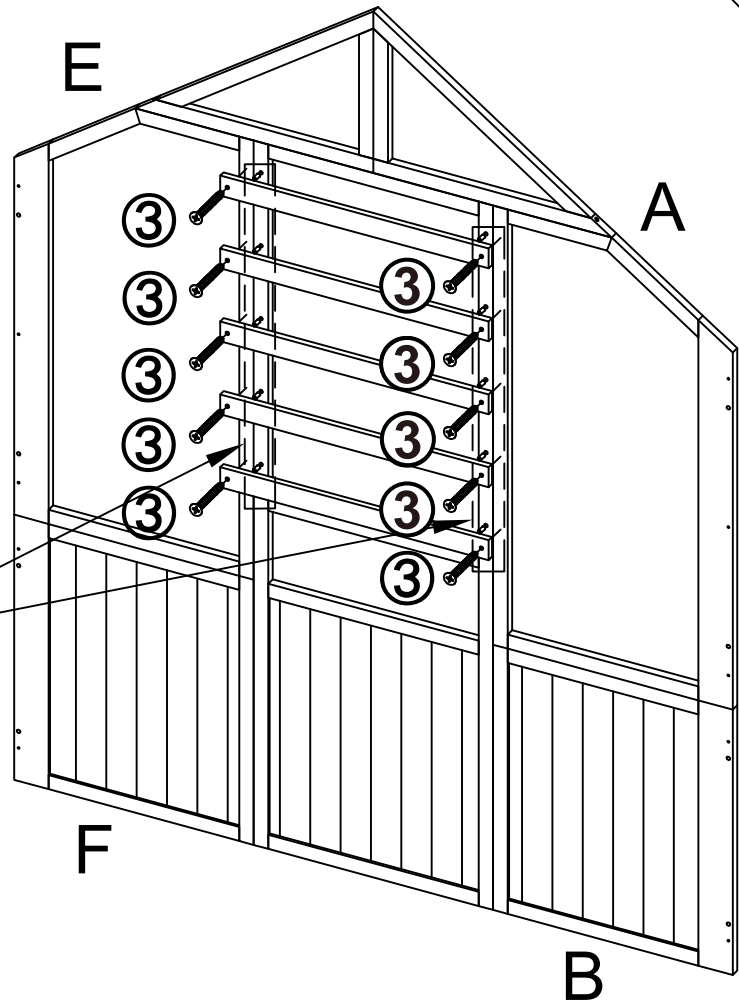
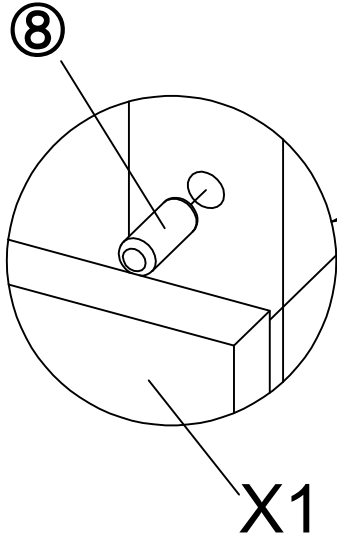
PART	NO	QIT
 wood stick	⑧	12


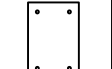


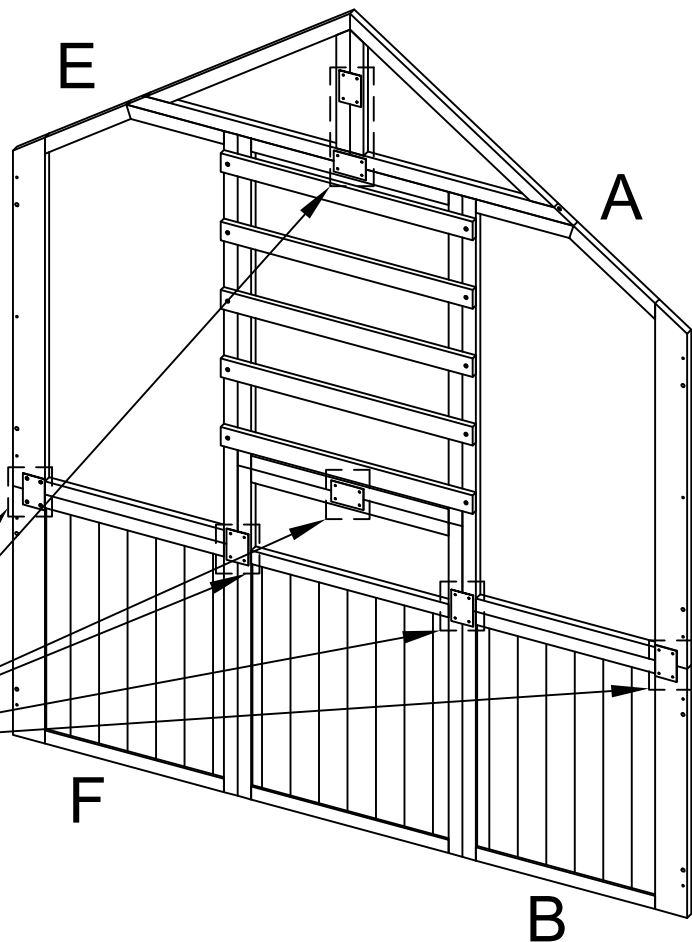
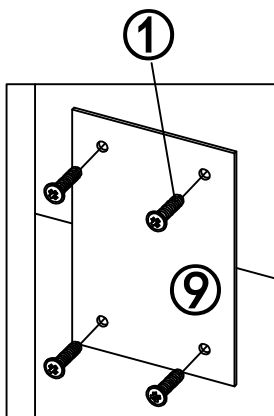
PART	NO	QIT
	P	2
	⑤	2
 wood stick	⑧	1


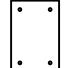


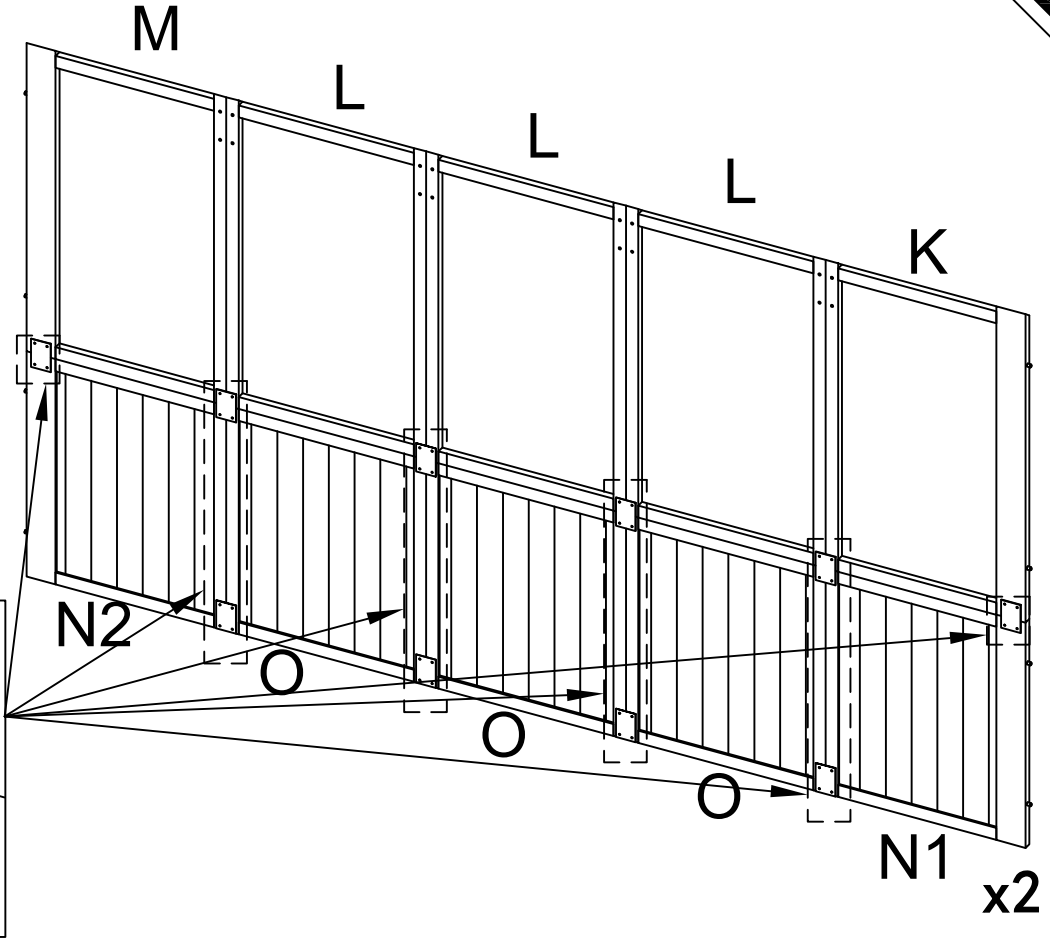
PART	NO	QIT
	X1	5
	③	10
 wood stick	⑧	10





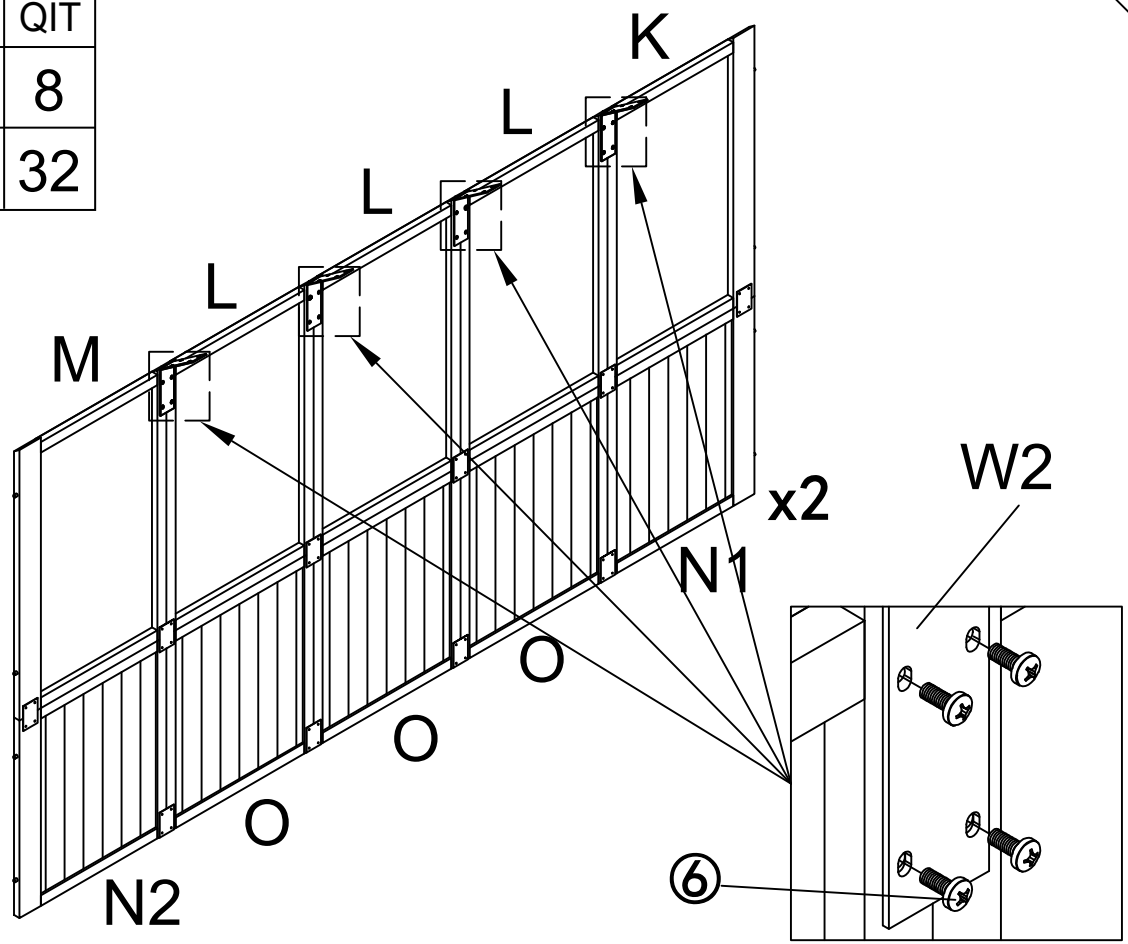
PART	NO	QIT
	①	28
	⑨	7




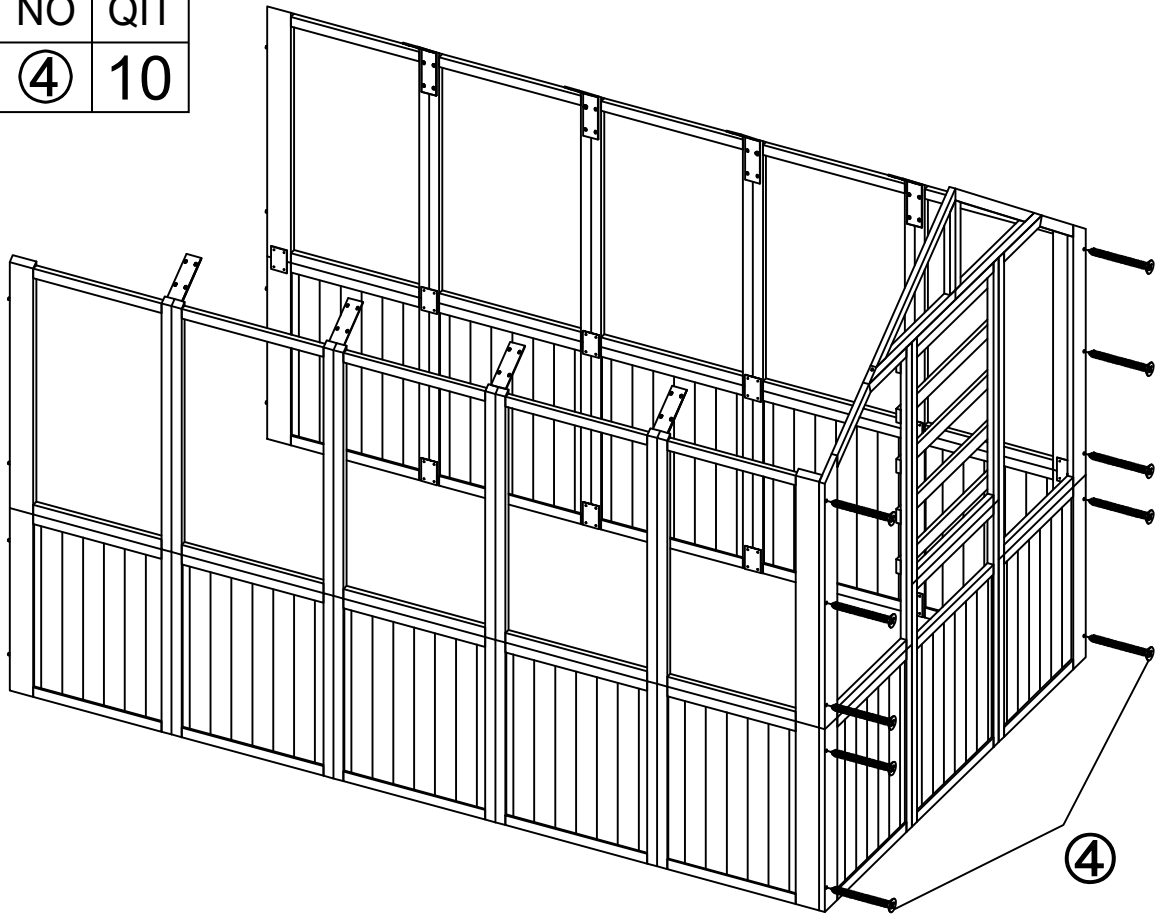
PART	NO	QIT
	①	80
	⑨	20




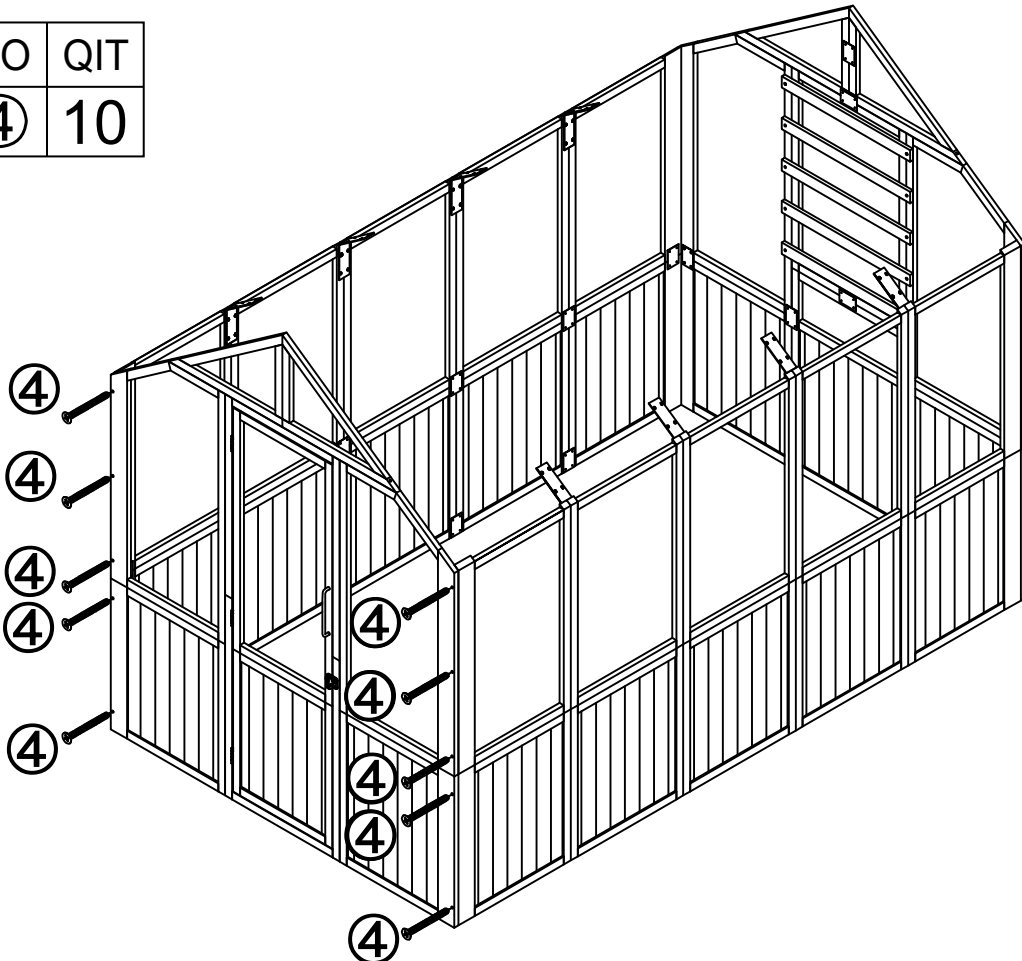
PART	NO	QIT
	W2	8
	⑥	32







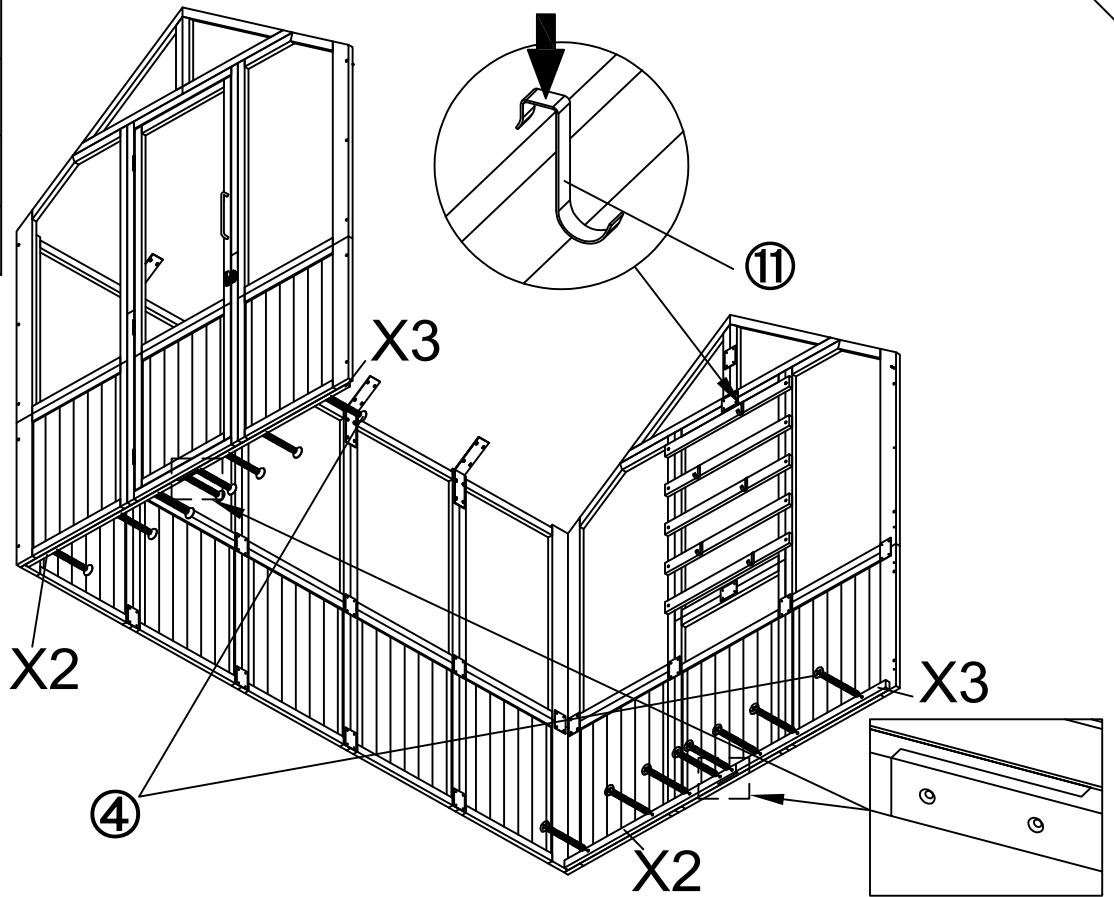
PART	NO	QIT
	④	10

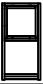





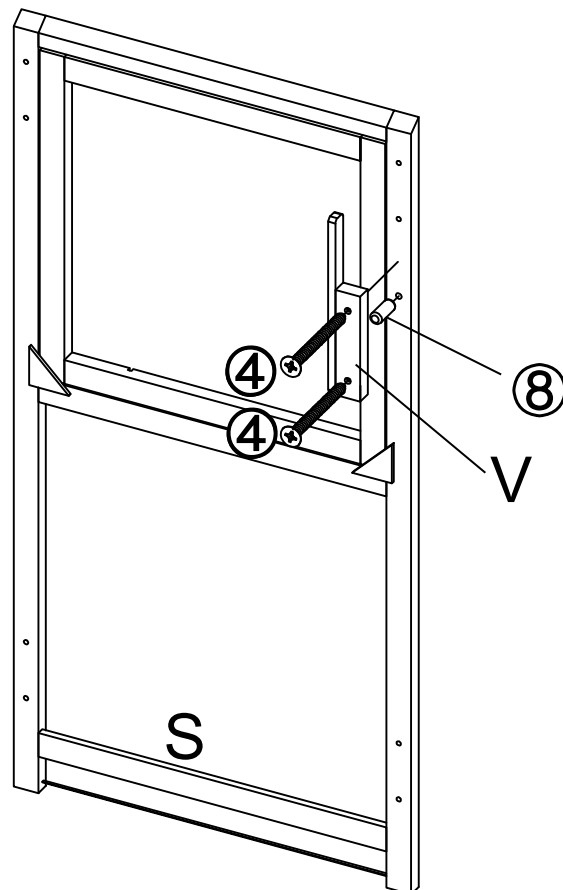
PART	NO	QIT
	④	10

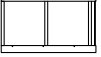






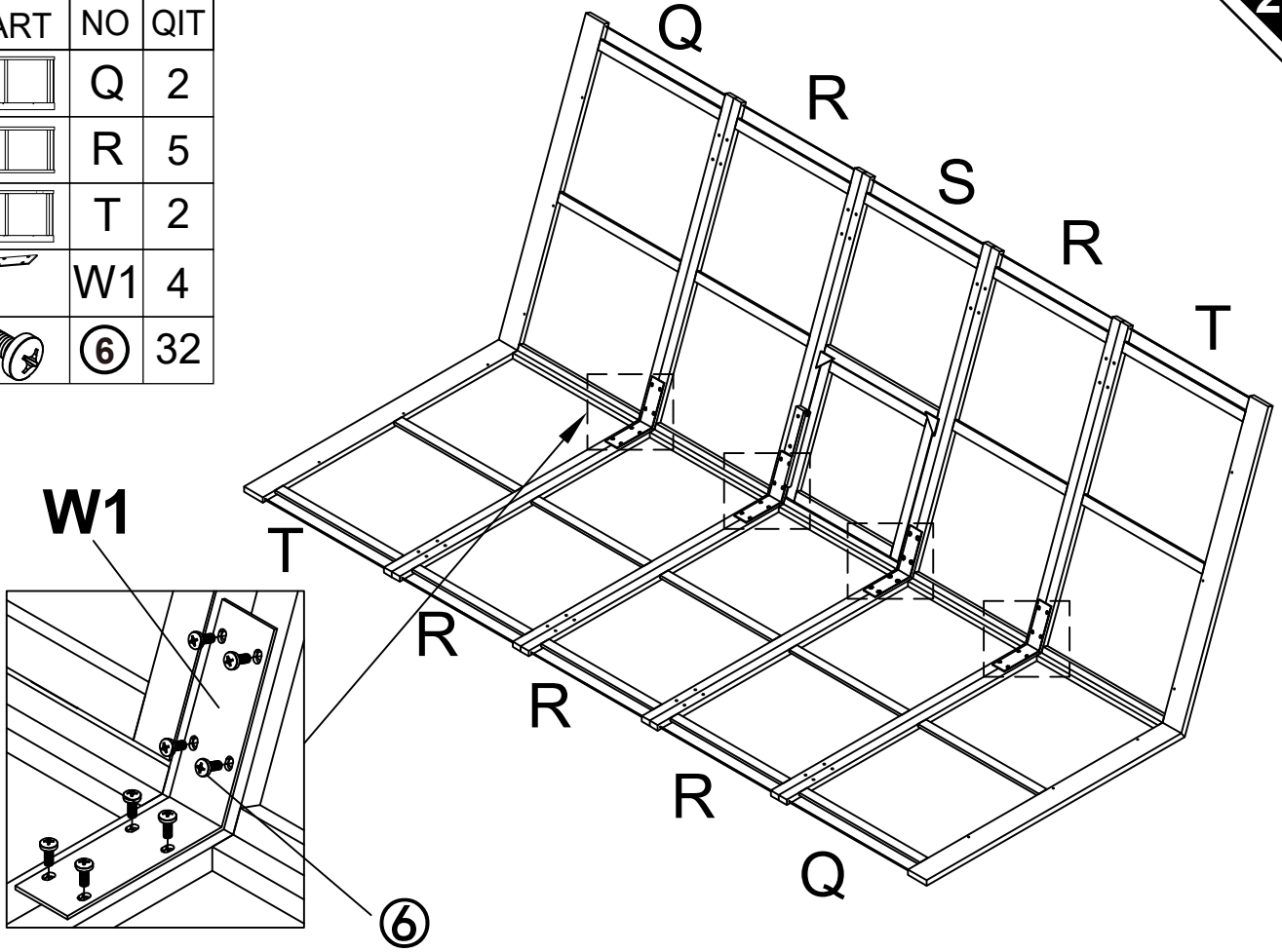
PART	NO	QIT
	X2	2
	X3	2
	④	16
	⑪	5





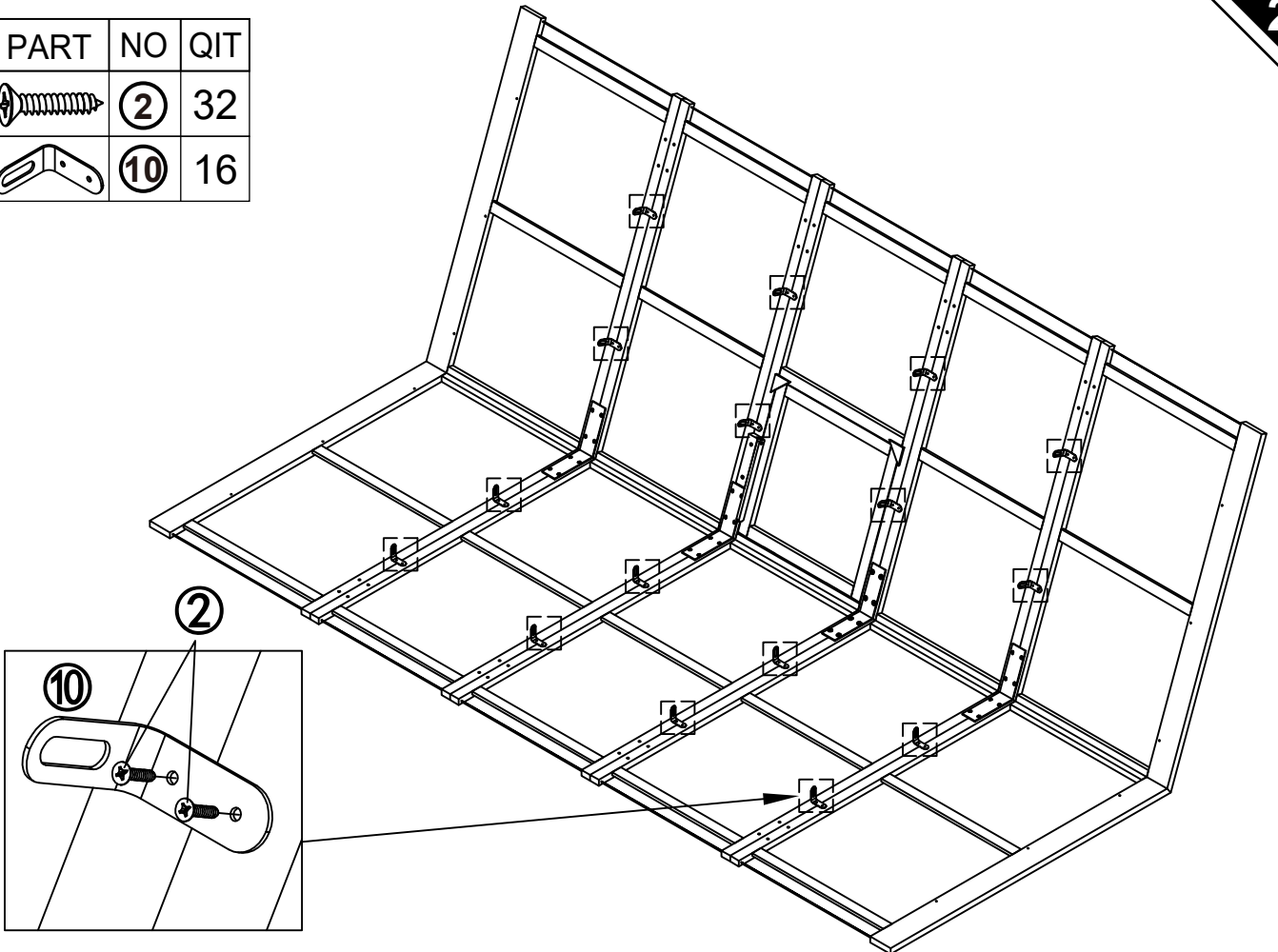
PART	NO	QIT
	S	1
	V	1
	④	2
 wood stick	⑧	1

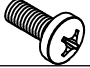


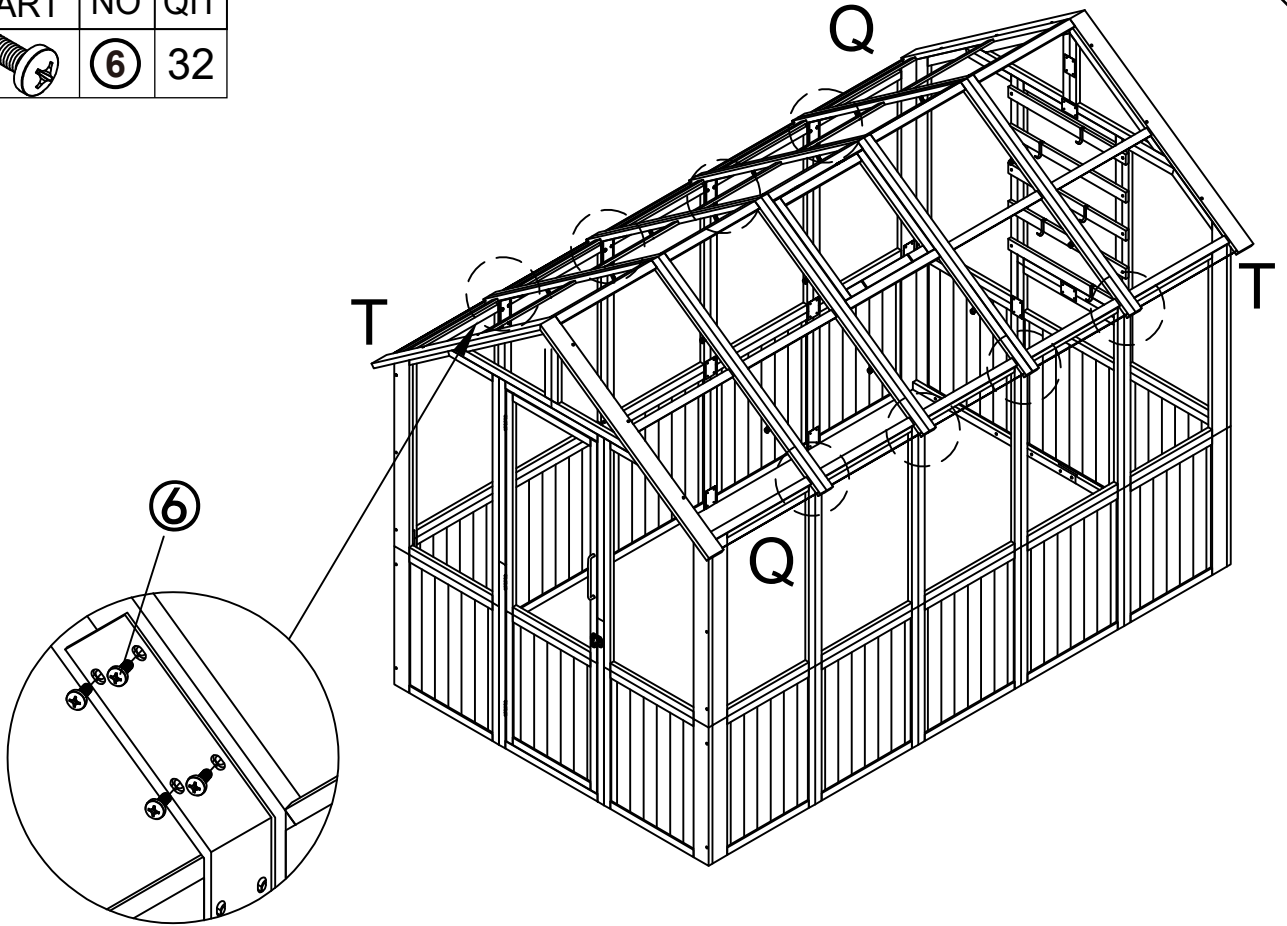
PART	NO	QIT
	Q	2
	R	5
	T	2
	W1	4
	⑥	32





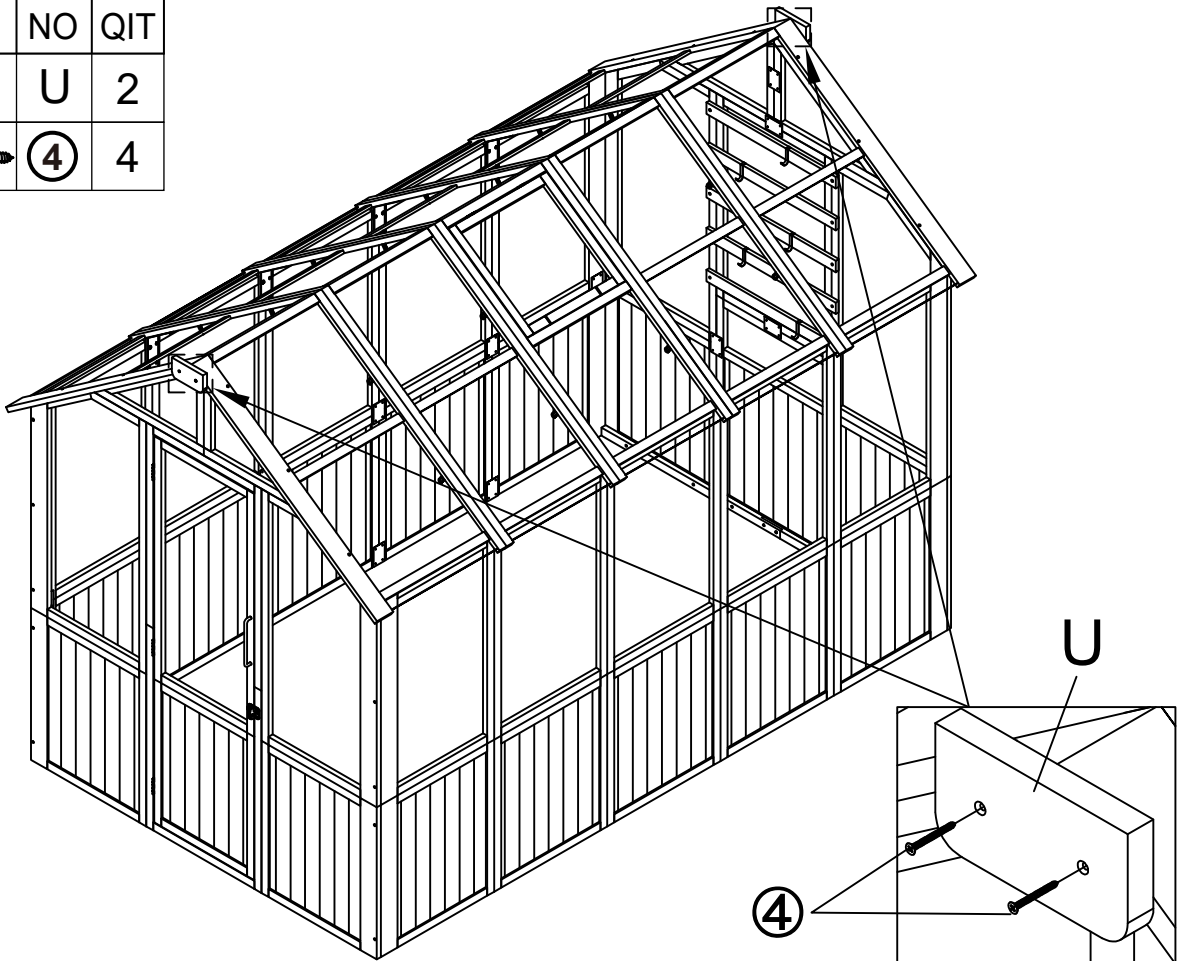
PART	NO	QIT
	②	32
	⑩	16




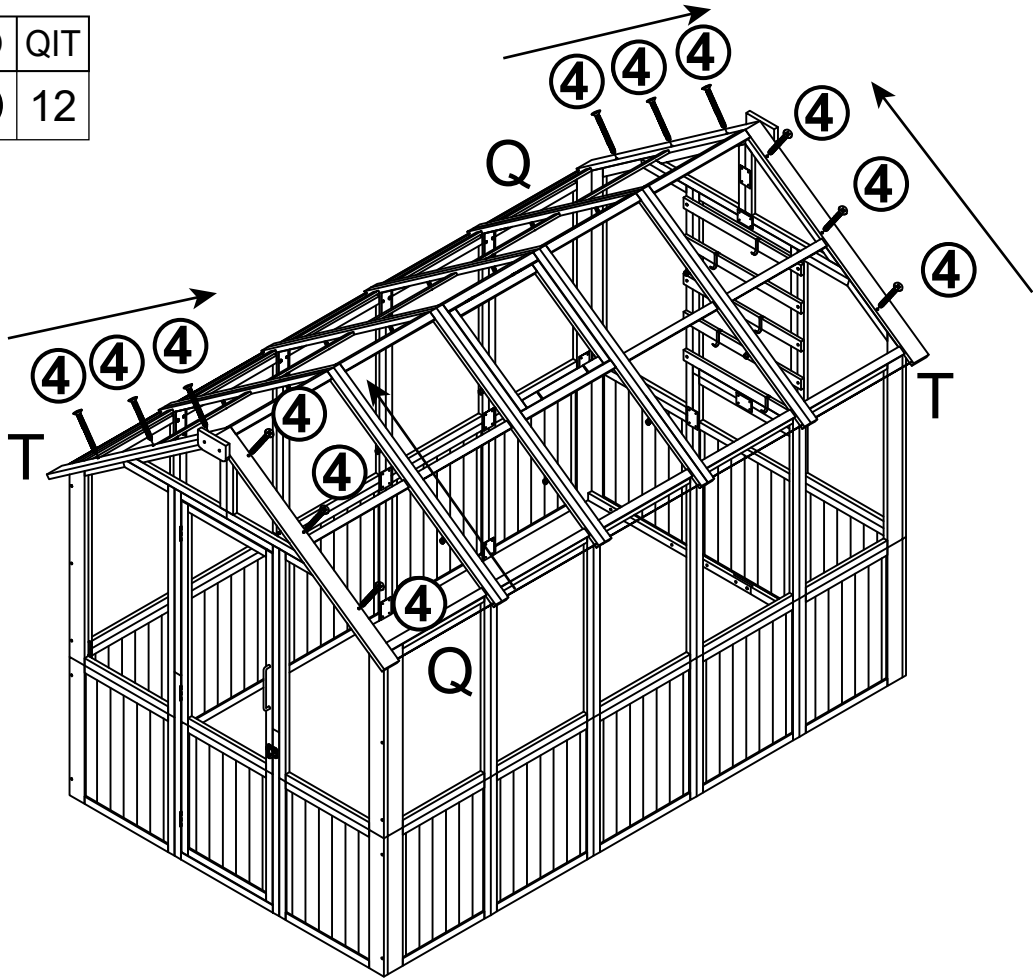
PART	NO	QIT
	⑥	32





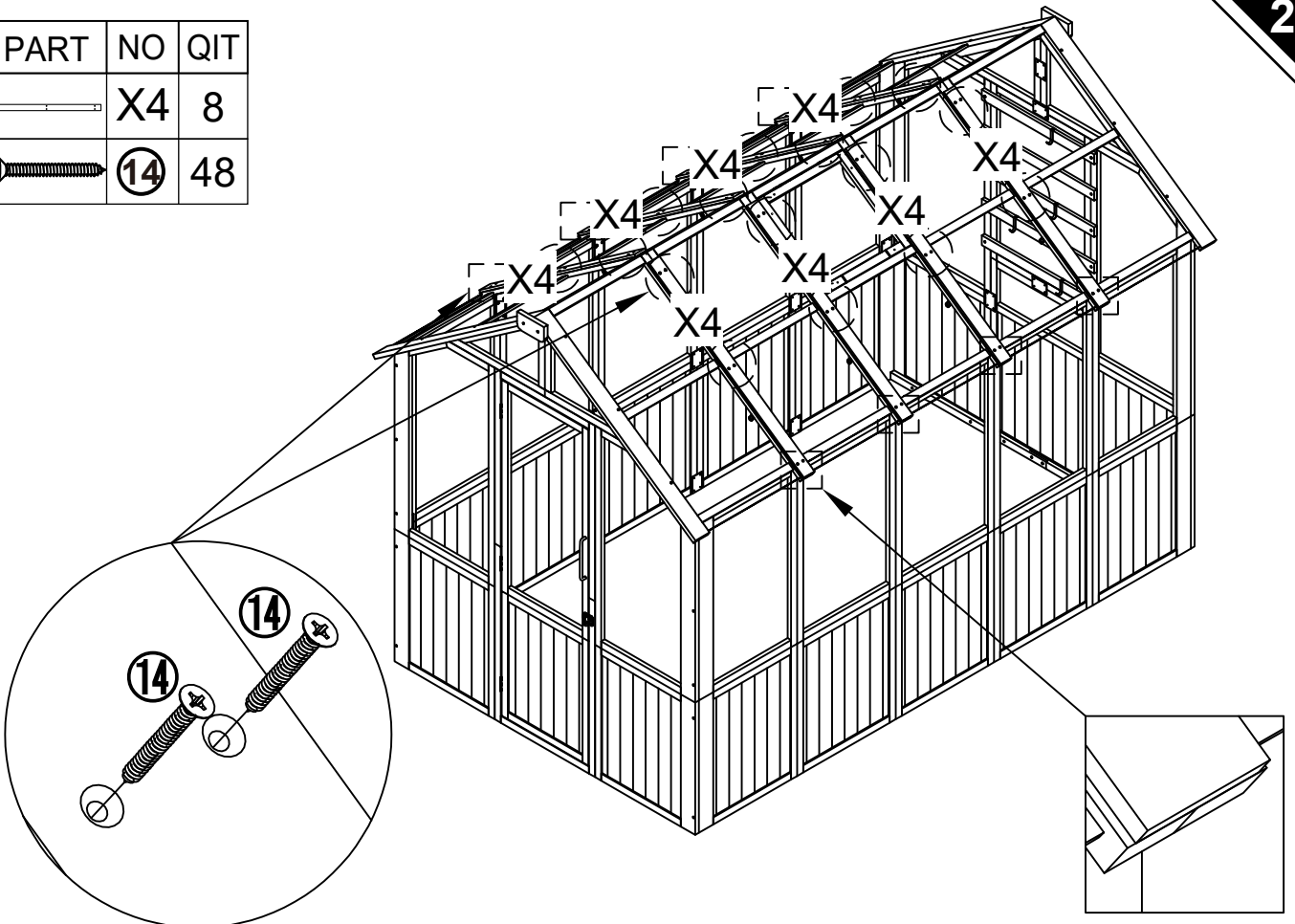
PART	NO	QIT
	U	2
	④	4





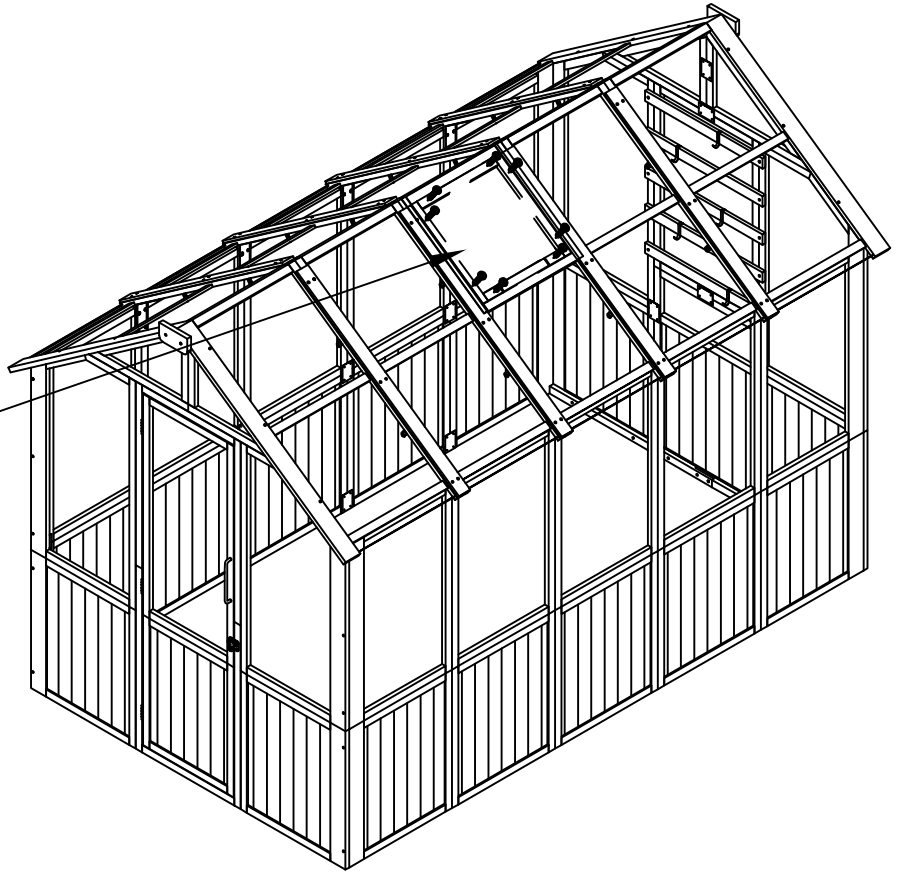
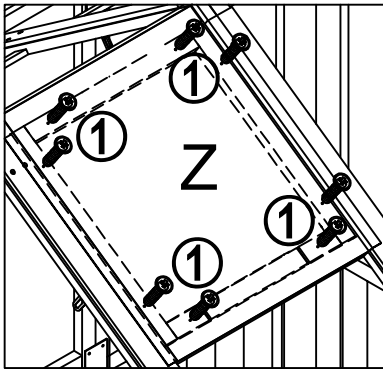
PART	NO	QIT
	④	12

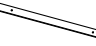
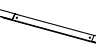



PART	NO	QIT
	X4	8
	⑭	48



PART	NO	QIT
	Z	1
	①	8



PART	NO	QIT
	Y1	2
	Y2	1
	⑭	12

