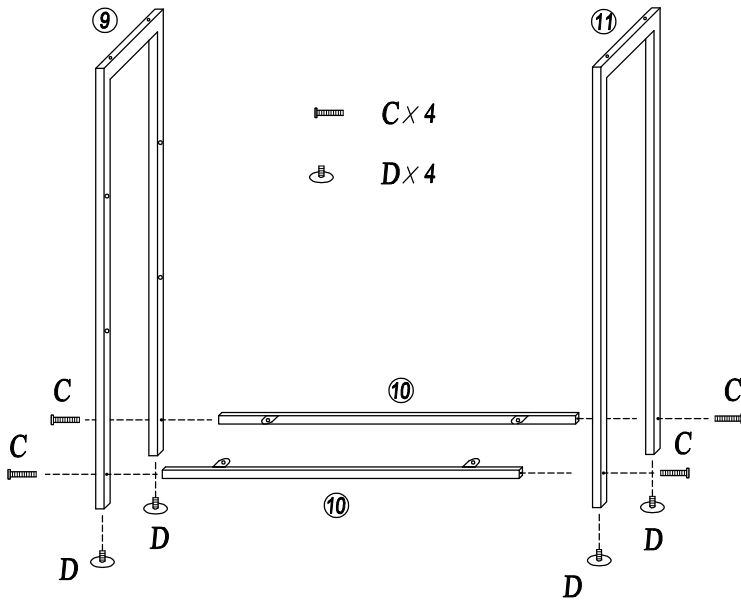
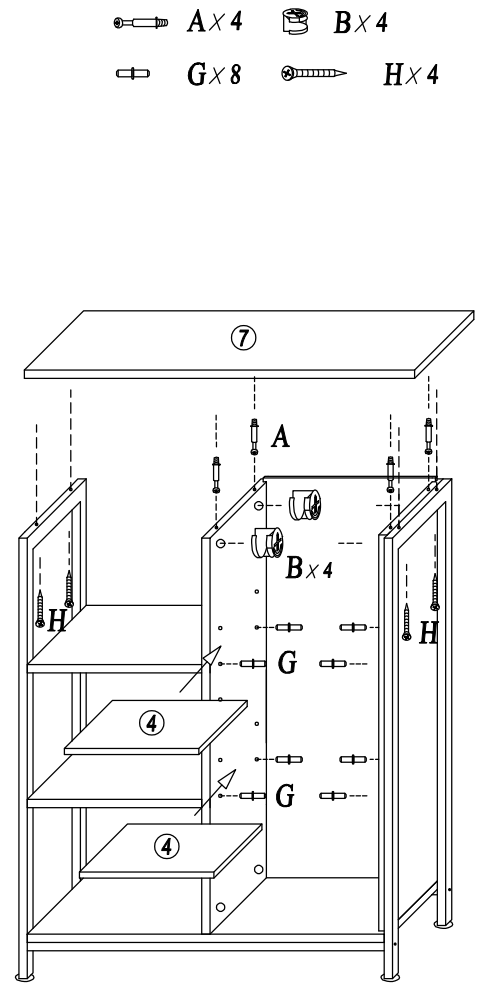


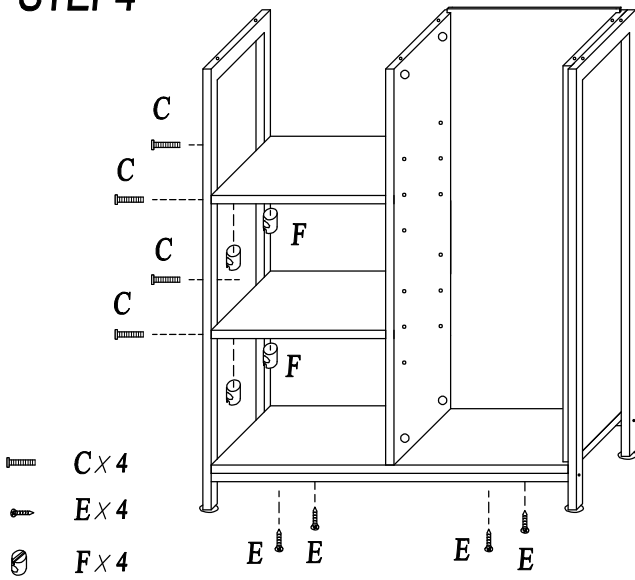
### STEP3



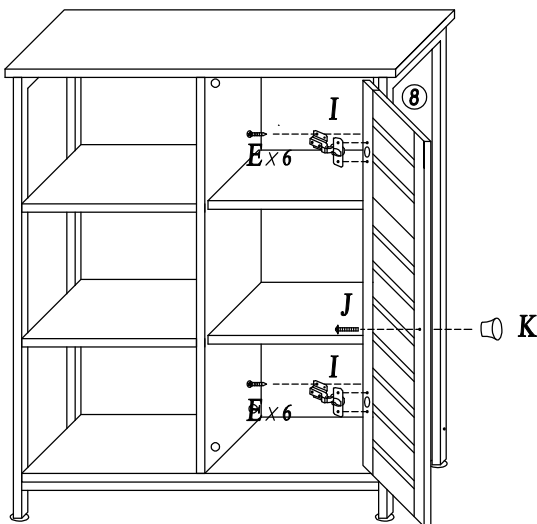
### STEP5



### STEP4

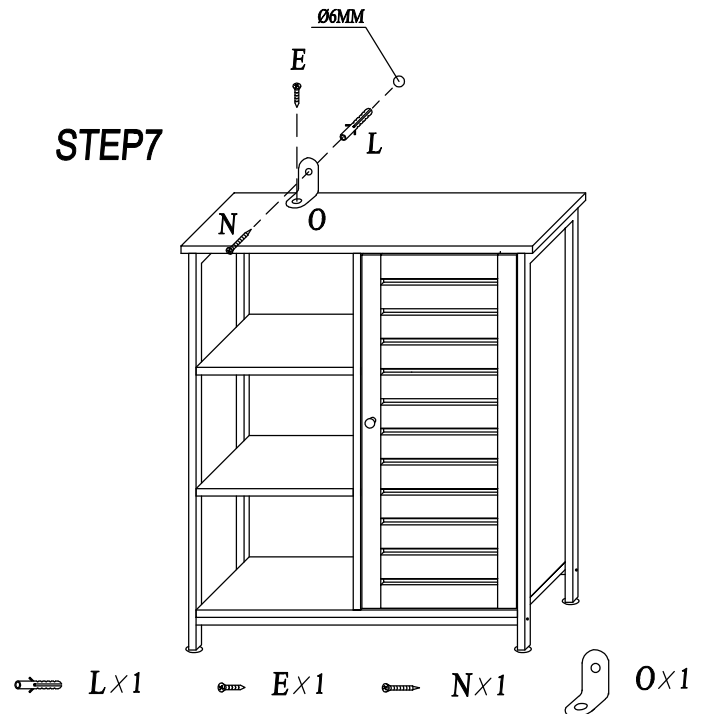


### STEP6



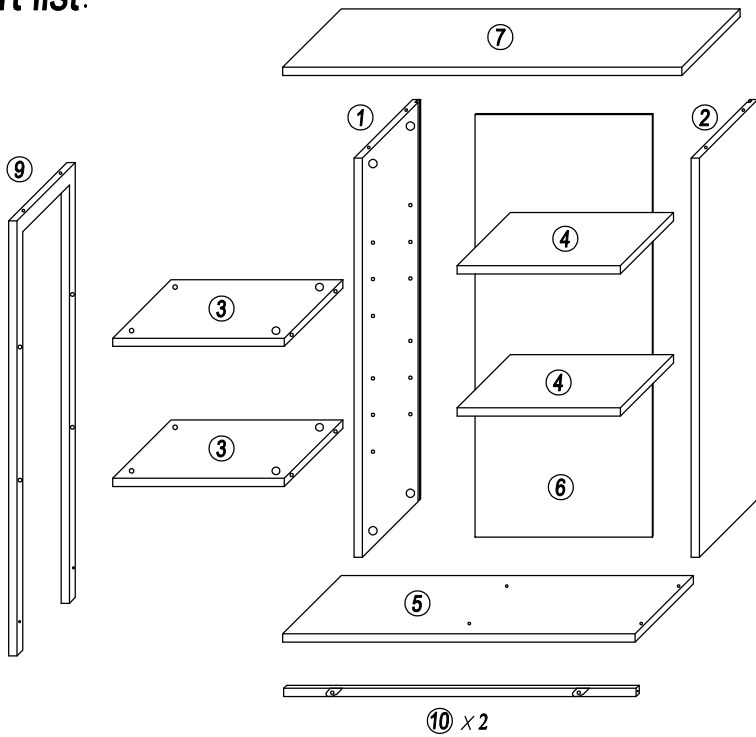
E × 12    I × 2    J × 1    K × 1

### STEP7



# Instruction Manual

## Part list:



L×1

N×1

O×1

A×12

B×12

C×8

D×4

E×17

F×4

G×8

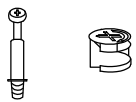
H×4

I×2

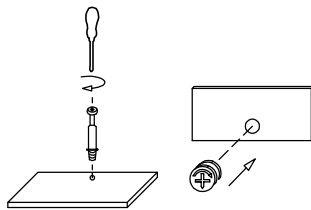
J×1

K×1

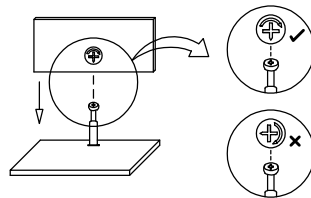
Bolt installation  
as follow:



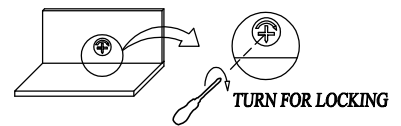
(1)



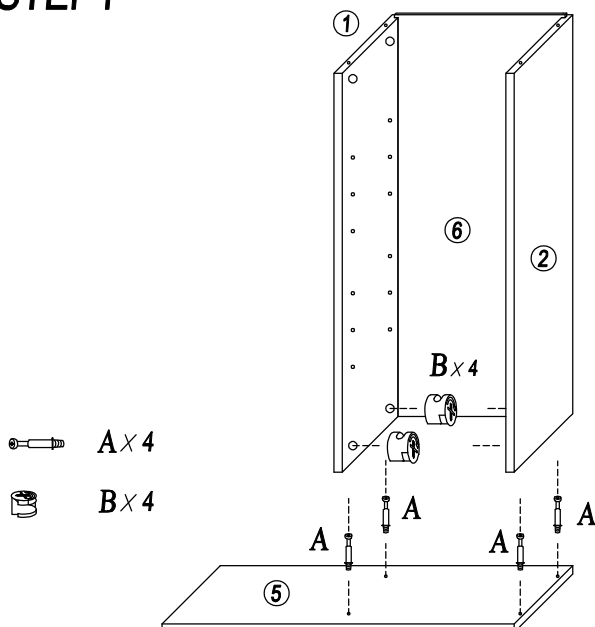
(2)



(3)



## STEP1



## STEP2

